

[54] TELEPHONE

4,454,204 6/1984 Posey D11/157

[76] Inventor: Peter Lee, 2nd Flr., 7, Lane 93, Pao Ping Rd., Yungho City, Taipei, Hsien, Taiwan

OTHER PUBLICATIONS

Trophies Catalog, ©1957 by Sport Center, Wash. D.C.; Football Trophies on pp. 21, 22.

[**] Term: 14 Years

Primary Examiner—Wallace R. Burke
Assistant Examiner—Horace B. Fay

[21] Appl. No.: 590,995

[57] CLAIM

[22] Filed: Mar. 19, 1984

The ornamental design for a telephone, as shown and described.

[52] U.S. Cl. D14/53; D14/62; D14/63; D21/111; D11/157

[58] Field of Search D14/53, 63, 62; 179/179, 100 R, 100 D, 100 C, 100 L, 101, 103

DESCRIPTION

[56] References Cited

U.S. PATENT DOCUMENTS

D. 248,556	7/1978	Thomas	D14/53
D. 258,125	2/1981	Bailey	D11/157
D. 260,260	8/1981	Thomas	D21/111
D. 262,024	11/1981	Thomas	D11/157
D. 264,076	4/1982	Adams, Jr.	D21/111
D. 267,489	1/1983	Daharsh et al.	D14/53
D. 275,282	8/1984	Adams, Jr.	D21/111
D. 275,468	9/1984	Grant	D11/157
D. 277,180	1/1985	Paul	D14/53

FIG. 1 is a top plan view of a telephone showing my new design with the handset omitted in this view for clarity of presentation;

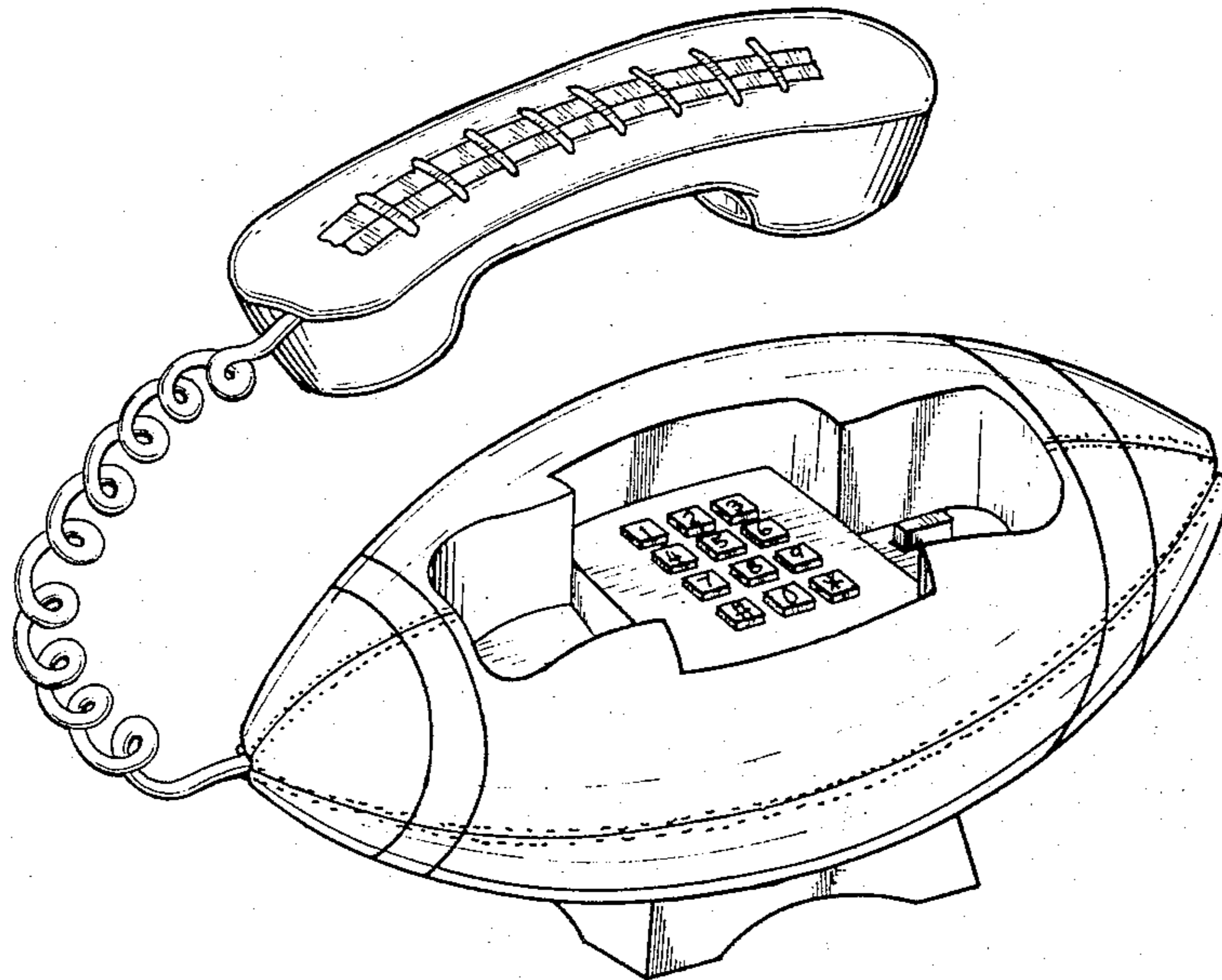
FIG. 2 is a front elevational view thereof, with the handset positioned in the stand;

FIG. 3 is a bottom plan view of the stand;

FIG. 4 is a partial left side, top, and front perspective view of the stand, with the handset spaced above the stand; and

FIGS. 5 and 6 are respectively right and left side elevational views of the assembled telephone.

The cord is omitted in sundry views for ease of illustration.



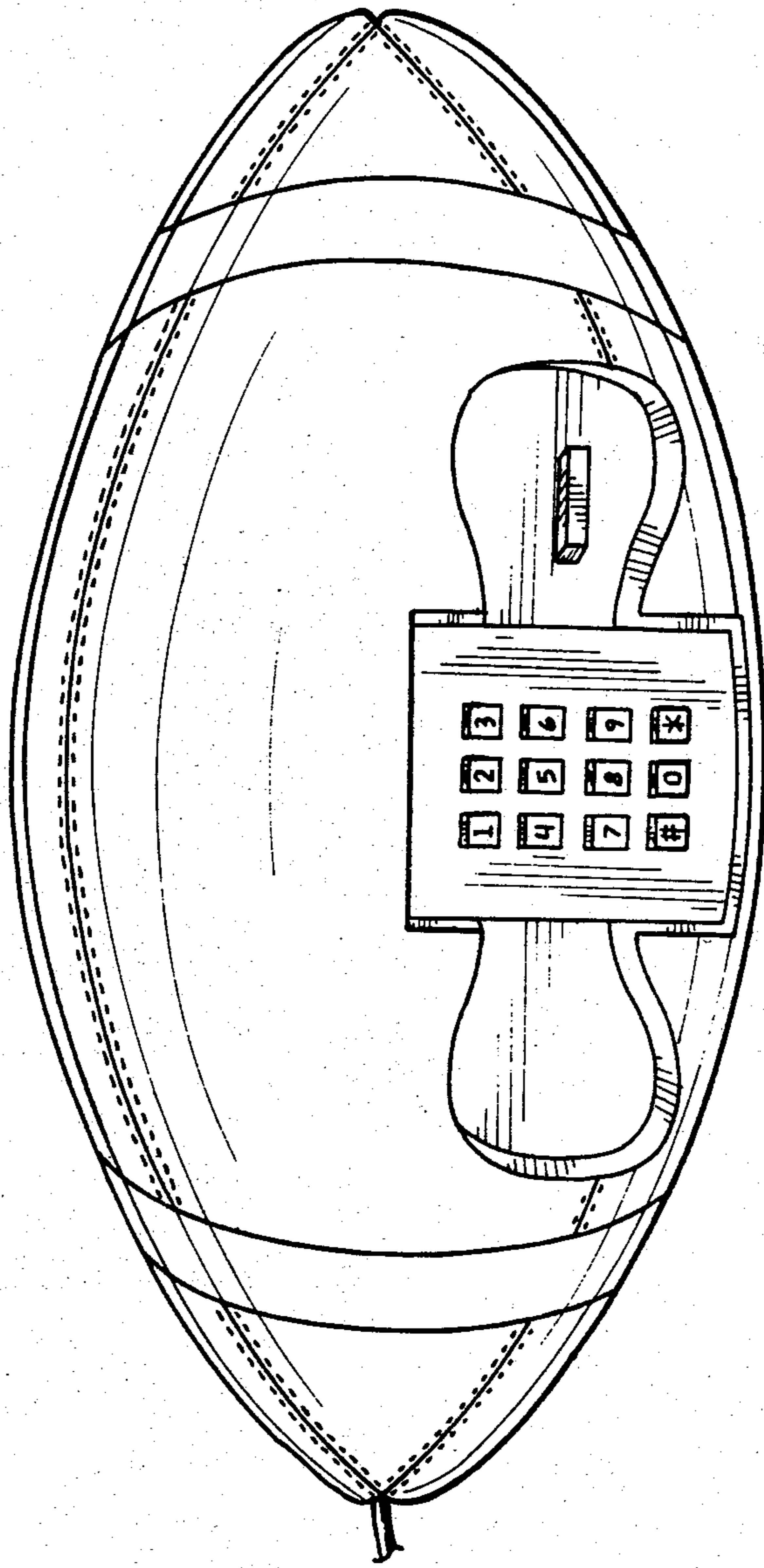


FIG. 1

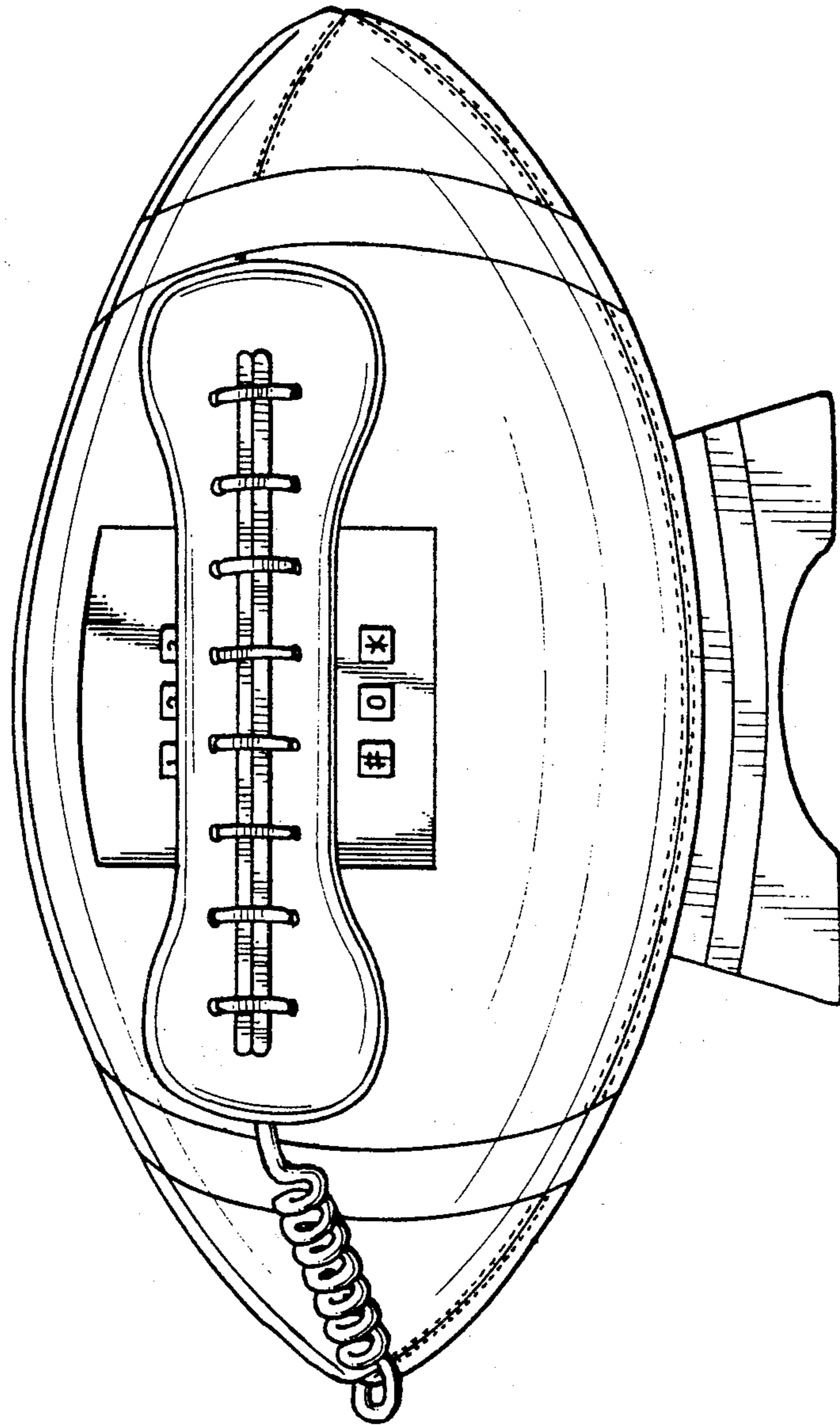


FIG. 2

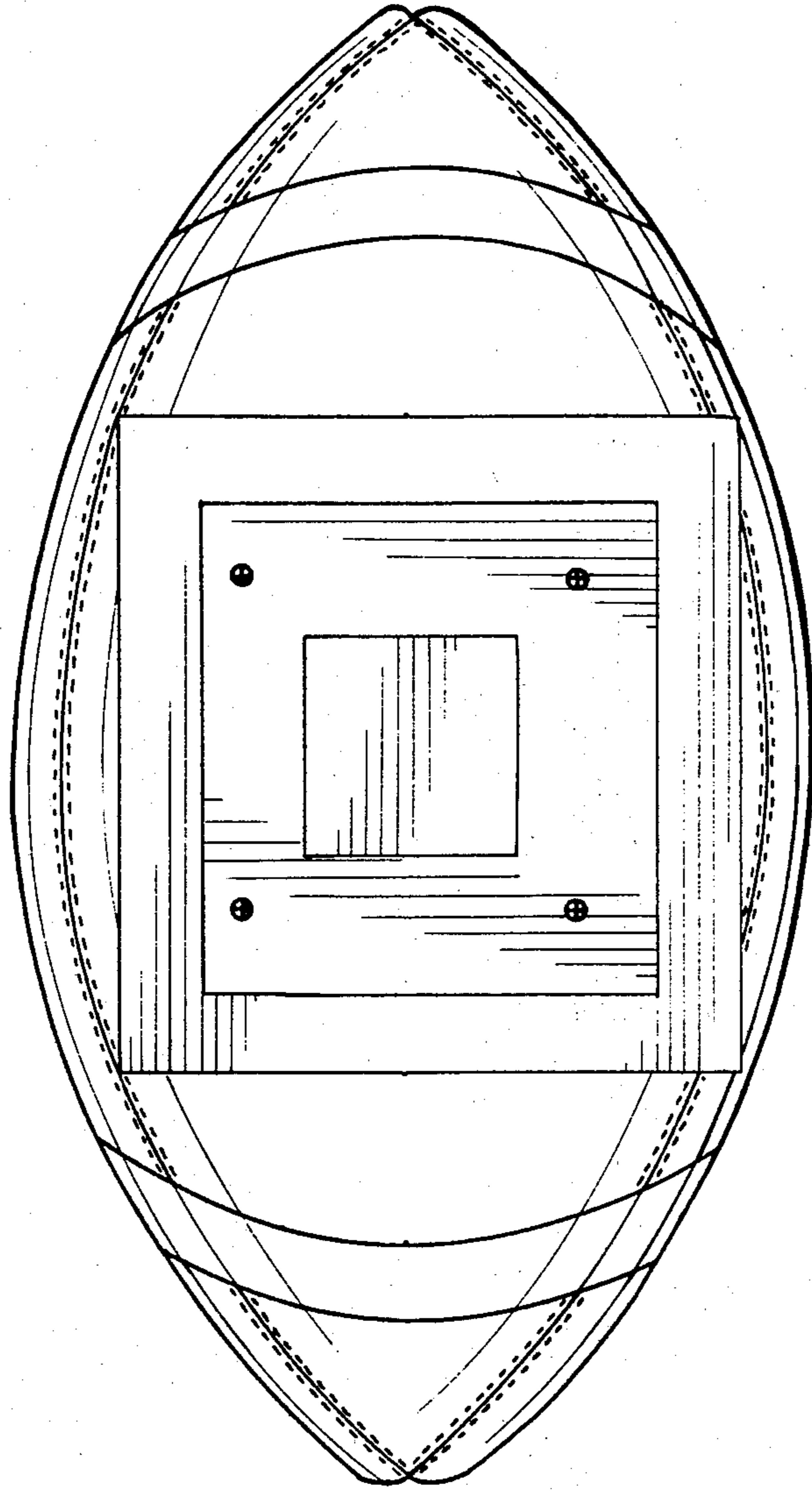


FIG. 3

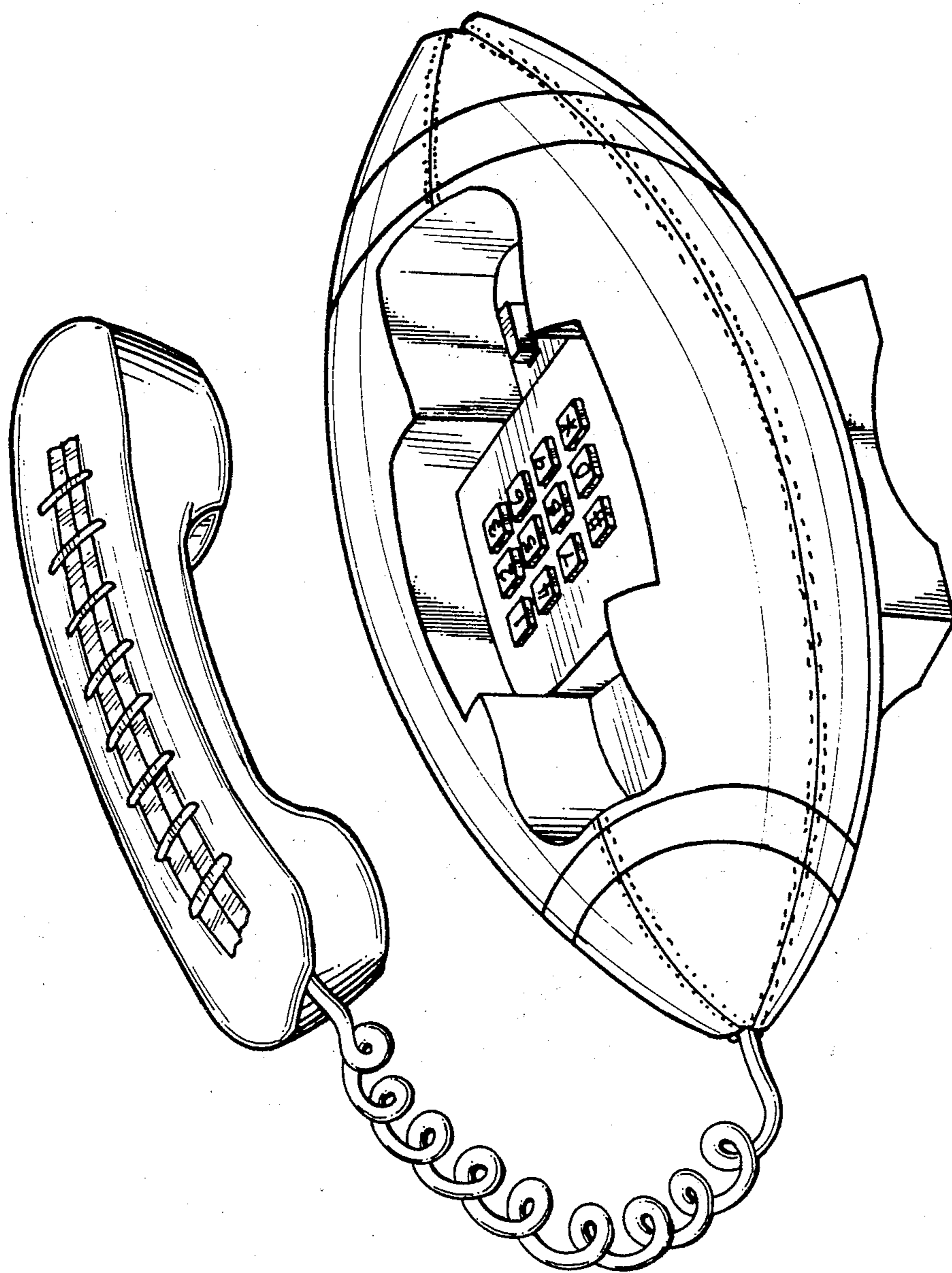


FIG. 4

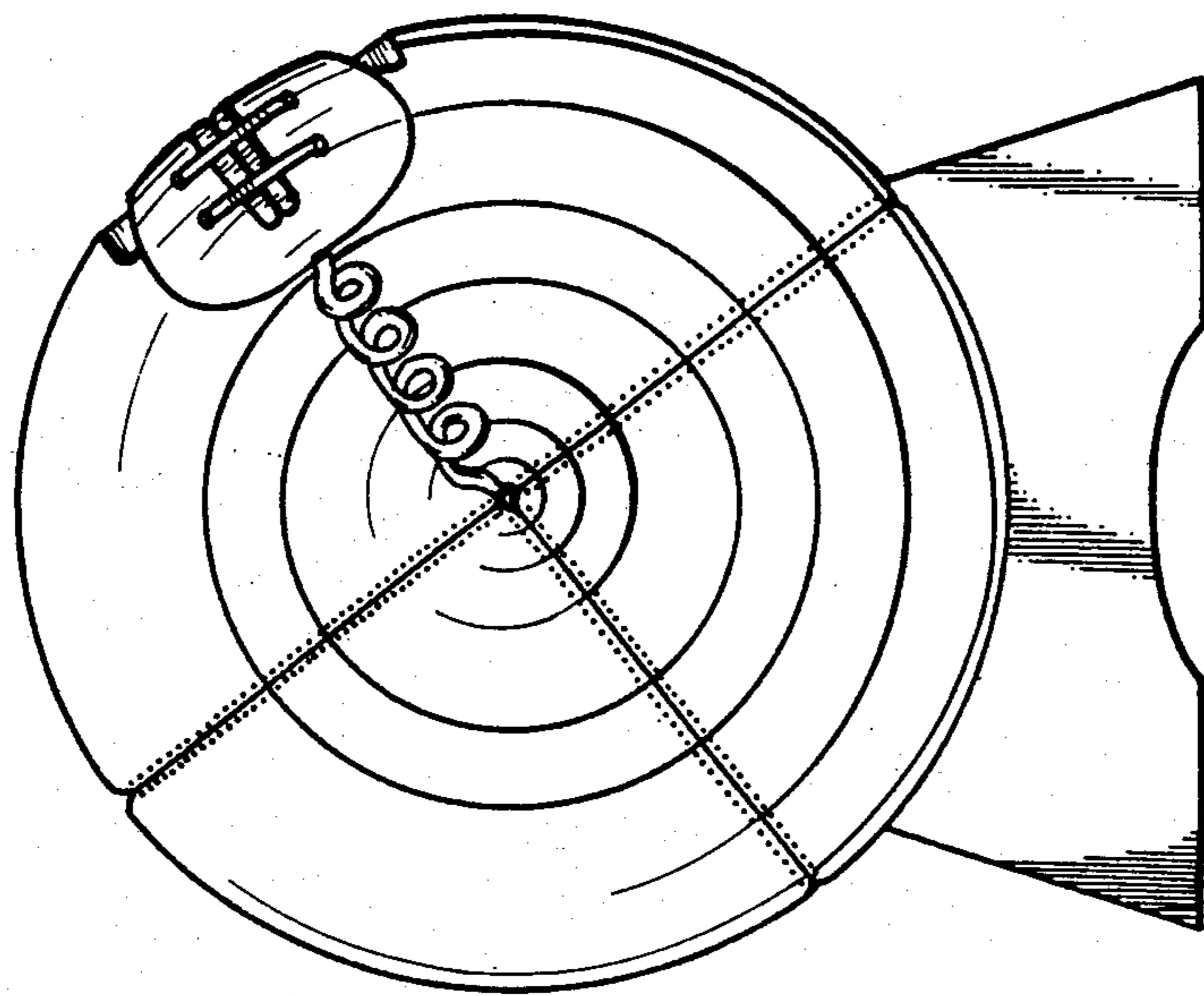


FIG. 6

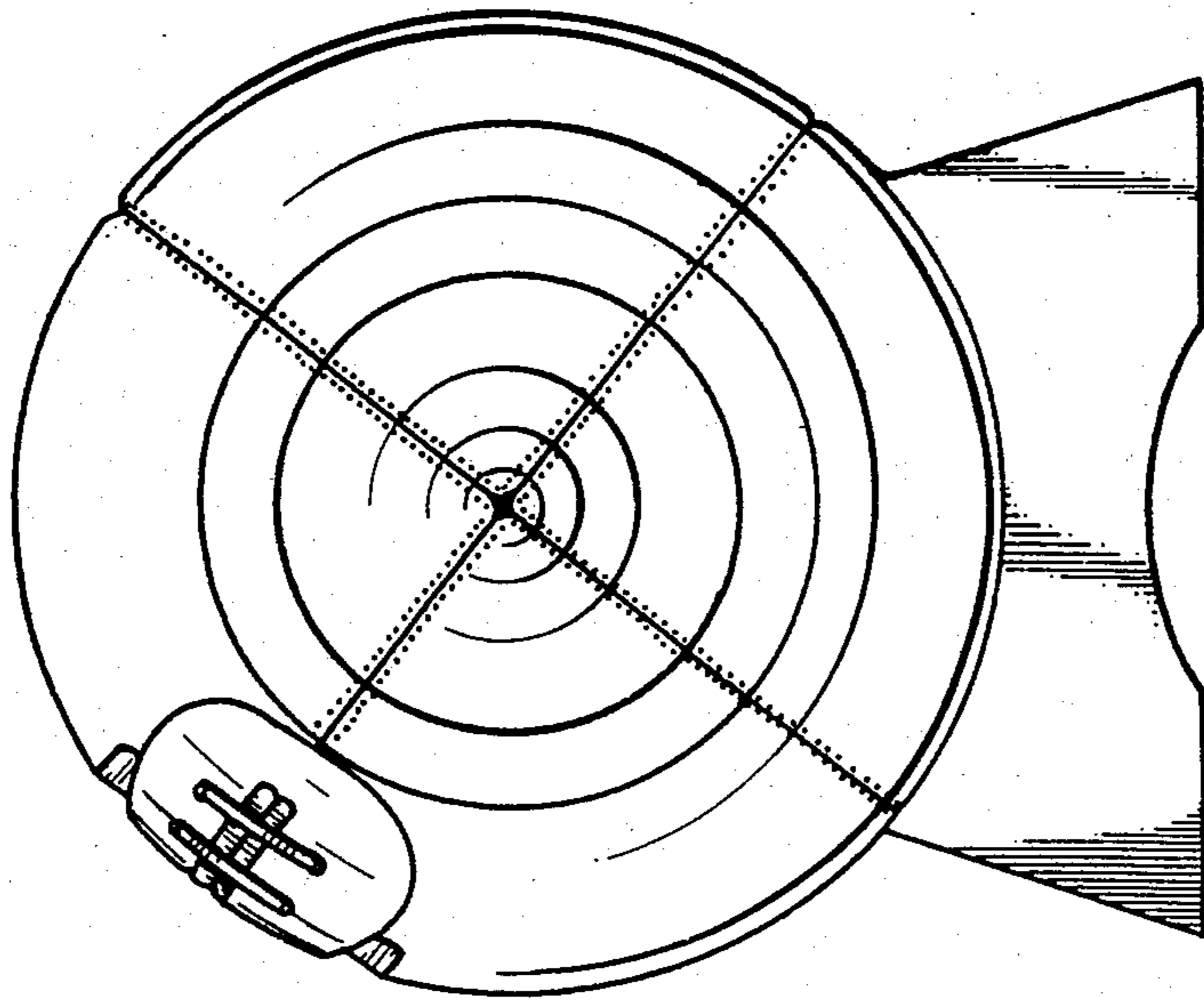


FIG. 5