

[54] CONTAINER FOR CARRYING, TRANSPORTING, SHIPPING, OR INSTALLING CIRCUIT BOARDS

[75] Inventor: Frederick S. Fonville, Roanoke Rapids, N.C.

[73] Assignee: W. R. Grace & Co., Cryovac Div., Duncan, S.C.

[**] Term: 14 Years

[21] Appl. No.: 655,475

[22] Filed: Sep. 27, 1984

[52] U.S. Cl. D13/40

[58] Field of Search D13/40-41, D13/99; D9/423-424, 432; 269/903; 206/328-329, 592, 332, 334; 361/380, 390, 399

[56] References Cited

U.S. PATENT DOCUMENTS

D. 231,433	4/1974	Congleton	D9/423
3,615,006	10/1971	Freed	206/328
4,494,651	1/1985	Malcolm	206/328
4,564,880	1/1986	Christ et al.	206/334

FOREIGN PATENT DOCUMENTS

2049089 12/1980 United Kingdom 269/903

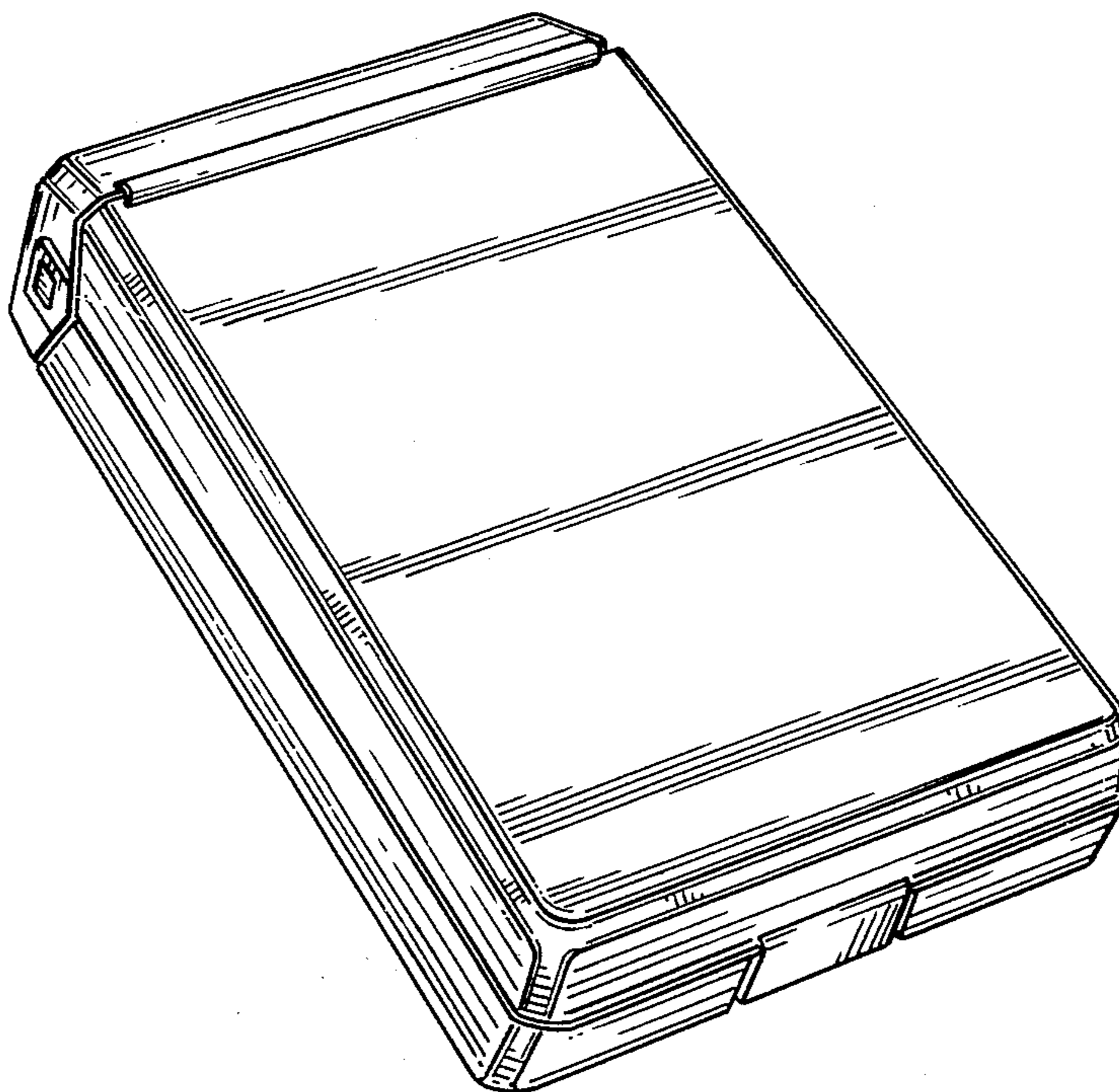
Primary Examiner—Wallace R. Burke
Assistant Examiner—Ruth E. Takemoto
Attorney, Agent, or Firm—John J. Toney; William D. Lee, Jr.; Mark B. Quatt

[57] CLAIM

The ornamental design of a container for carrying circuit boards or the like, substantially as shown.

DESCRIPTION

FIG. 1 is a side elevational view of a container for carrying, transporting, shipping, or installing circuit boards showing my new design; FIG. 2 is a top plan view thereof in an open position; FIG. 3 is a top plan view thereof in a closed position; FIG. 4 is a side elevational view thereof in a closed position; FIG. 5 is a top, front and side perspective view thereof in a closed position; and FIG. 6 is a bottom, rear and side perspective view thereof in a closed position.



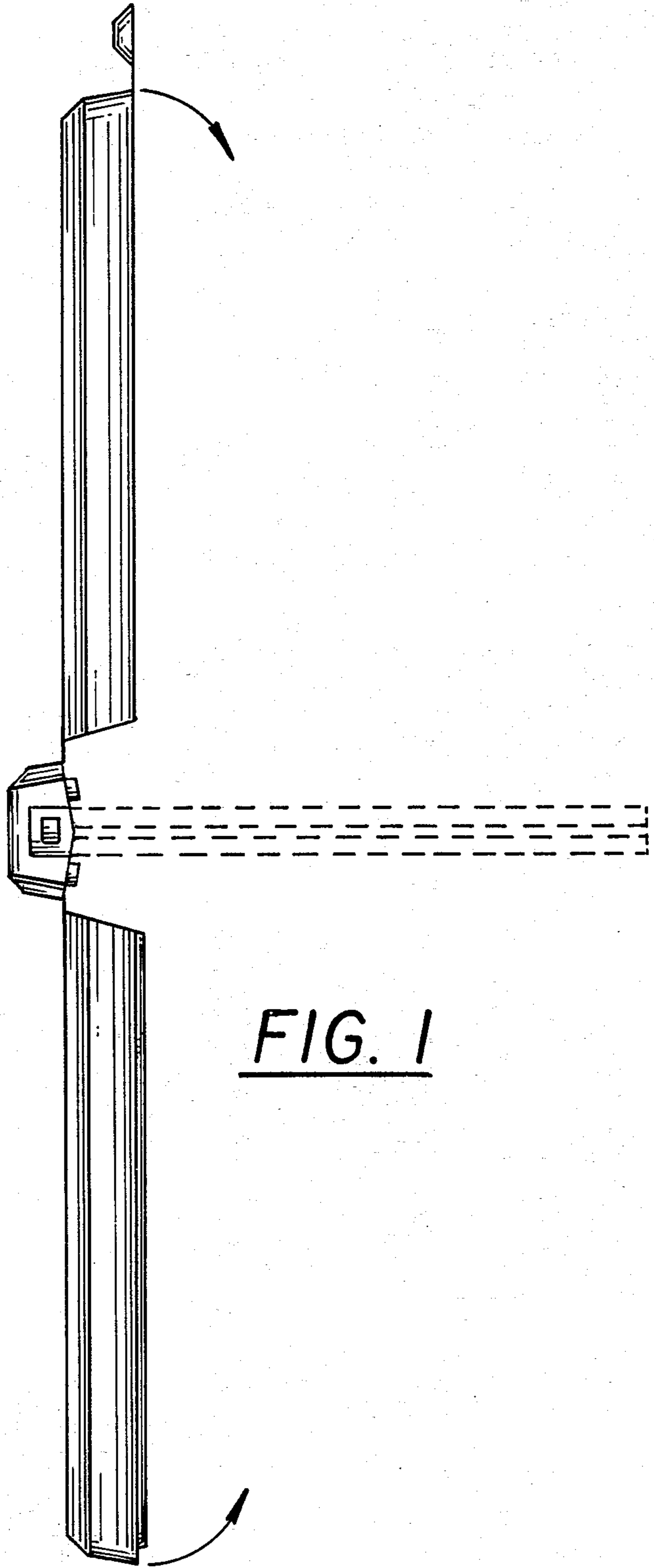


FIG. 1

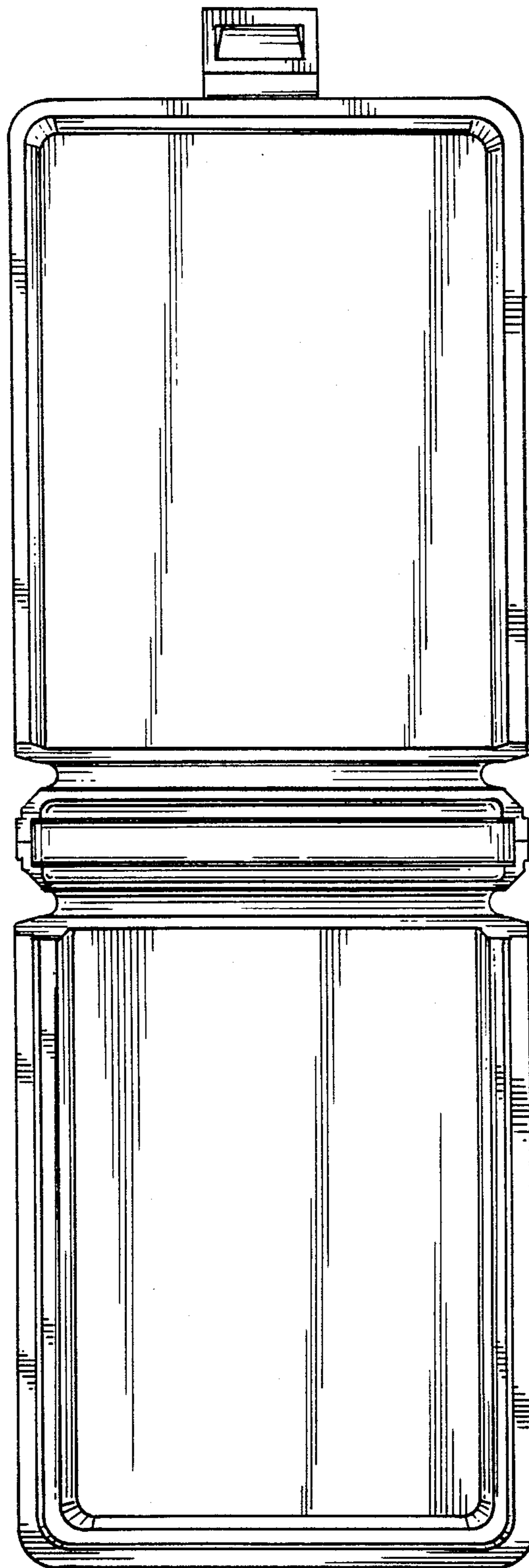


FIG. 2

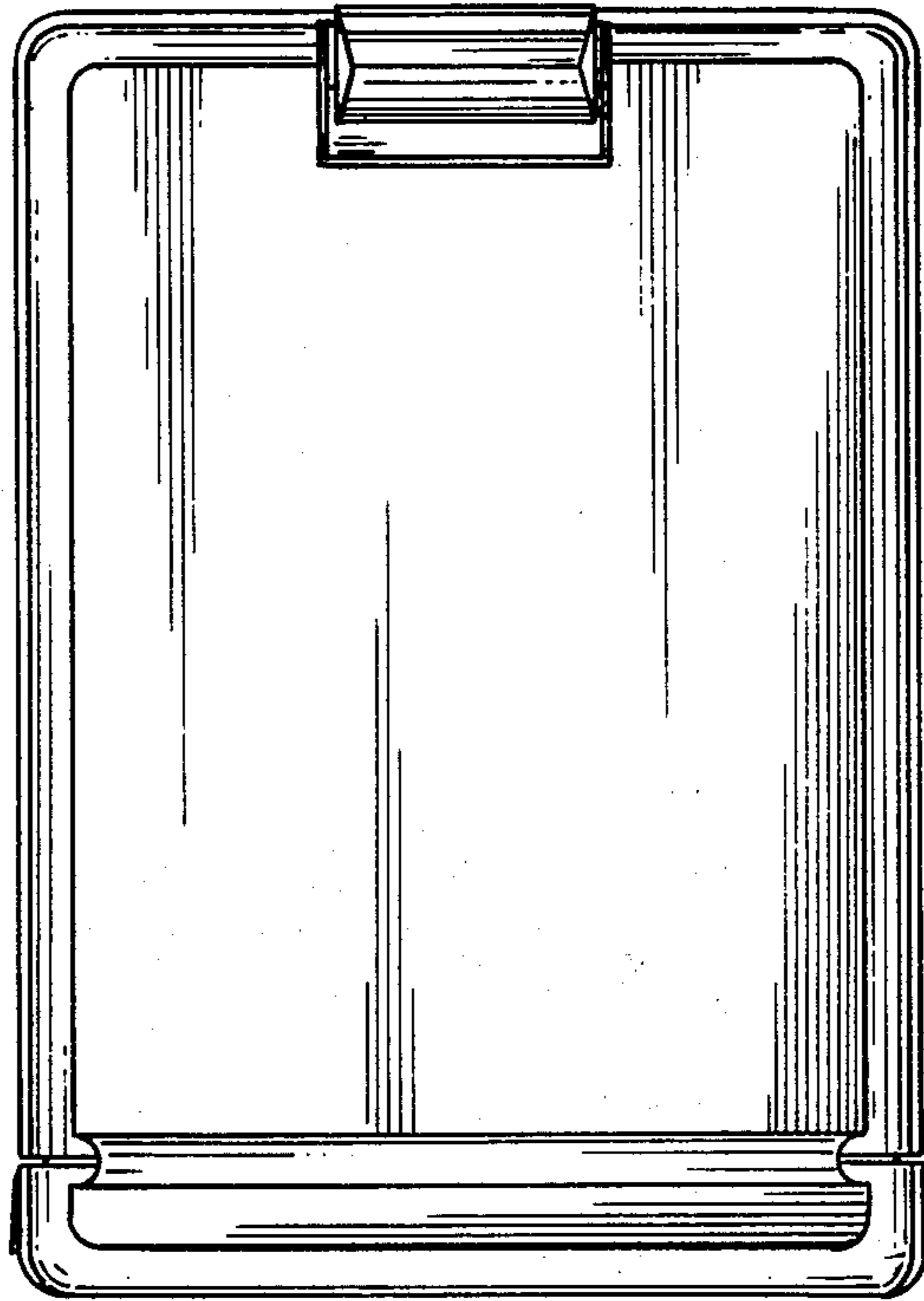


FIG. 3

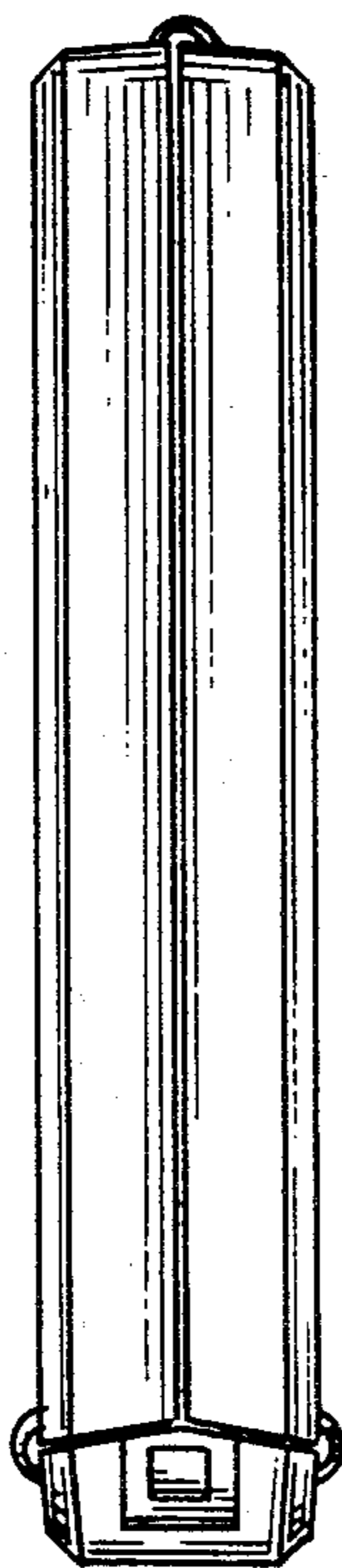


FIG. 4

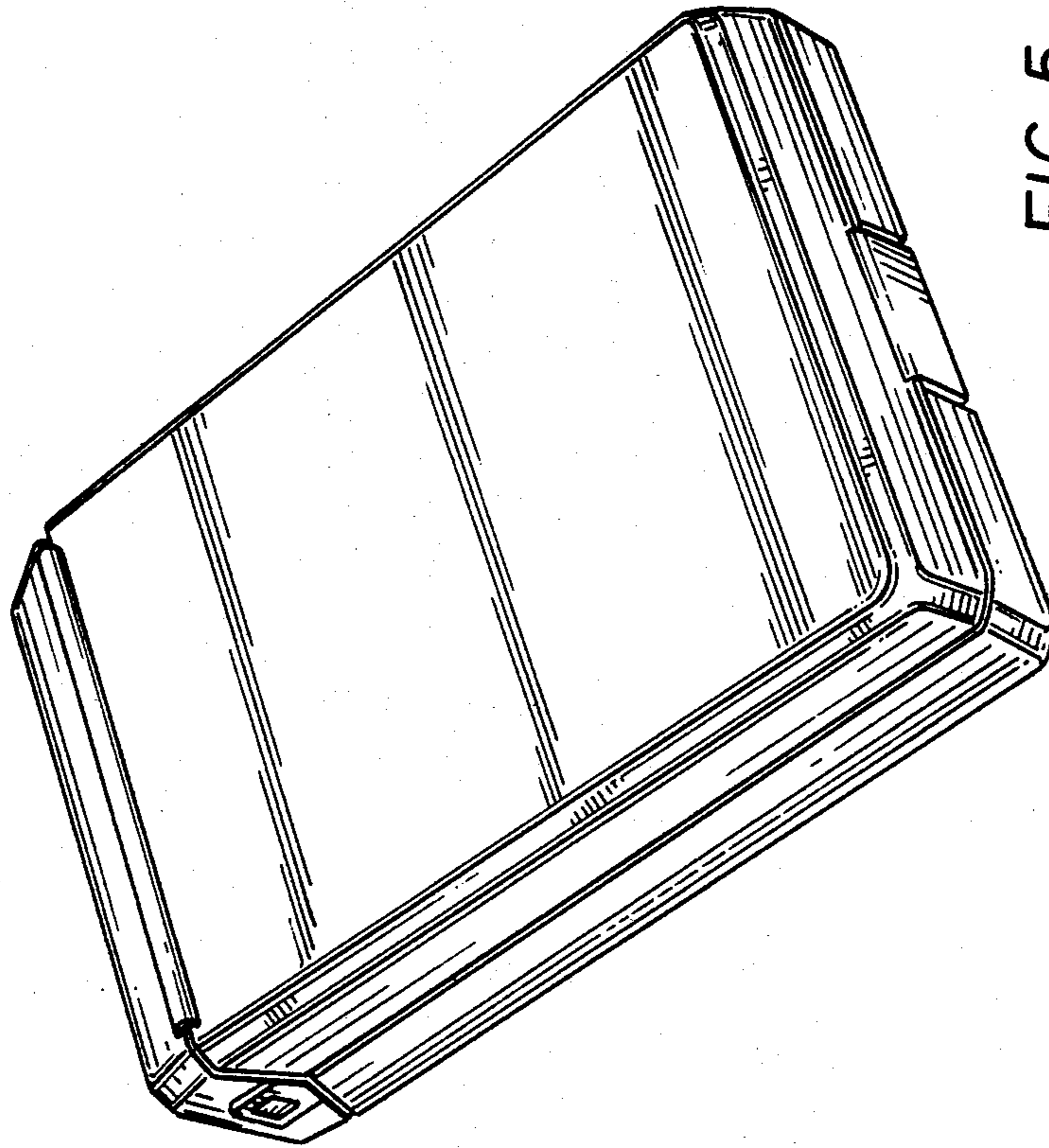


FIG. 5

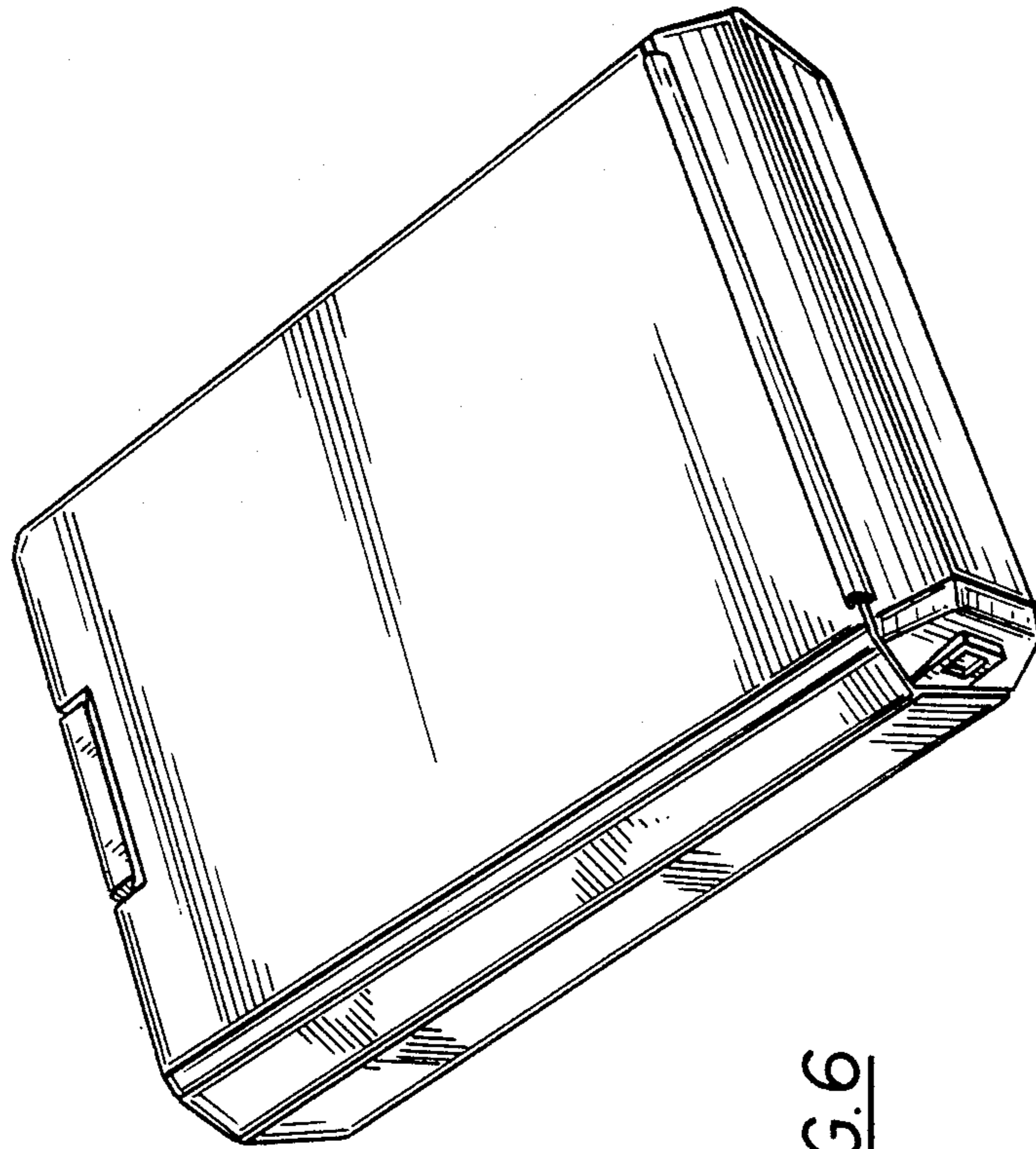


FIG. 6