

[54] **ADAPTER BASE FOR FLUORESCENT LAMP**

[76] **Inventor: Herman J. Engel, 9832 Dungan Rd., Philadelphia, Pa. 19115**

[**] **Term: 14 Years**

[21] **Appl. No.: 654,806**

[22] **Filed: Sep. 26, 1984**

[52] **U.S. Cl. D13/25; D26/3**

[58] **Field of Search 313/315, 318, 485, 493; D26/1, 2, 3, 26; 315/56-59, 63; D13/25; 339/50 R-55, 144 R-146, 119 L, 206 L, 176 L, 177 L, 182 L, 184 L, 191 L, 154 L, 210 T**

[56] **References Cited**

U.S. PATENT DOCUMENTS

D. 153,678	5/1949	Grubb	D13/25
D. 202,705	11/1965	Morgan et al.	D26/2
D. 284,652	7/1986	Engel	D13/25
D. 284,757	7/1986	Engel	D13/25
2,505,993	5/1950	Rogers	176/122
2,655,623	10/1953	Parker	317/210
2,807,710	9/1957	Williams	240/11.4
2,975,386	3/1961	Coy et al.	336/107
3,500,105	3/1970	Westlund, Jr. et al.	313/318
3,551,736	12/1970	Doehner	315/108
3,611,009	10/1971	McNeil	315/57
3,815,080	6/1974	Summa	339/52 R
4,084,112	4/1978	Hebert et al.	313/318 X
4,093,893	6/1978	Anderson	315/48
4,173,730	11/1979	Young et al.	315/53
4,270,071	5/1981	Morton	315/62
4,347,460	8/1982	Latessa et al.	315/63

4,375,607	3/1983	Morton et al.	315/56
4,405,877	9/1983	Haraden et al.	313/318
4,443,778	4/1984	Mewissen	336/90
4,570,105	2/1986	Engel	313/318 X

FOREIGN PATENT DOCUMENTS

304540 3/1955 Switzerland .

OTHER PUBLICATIONS

Norelco Specification Sheet entitled "PL Lamp", printed in U.S.A. in Jul. 1982.

Norelco Specification Sheet entitled "PL Adapter", printed in U.S.A. in Jan. 1983.

Primary Examiner—Susan J. Lucas

Attorney, Agent, or Firm—Benasutti and Murray

[57] **CLAIM**

The ornamental design for an adapter base for fluorescent lamp, as shown and described.

DESCRIPTION

FIG. 1 is an isometric view of the adapter base for fluorescent lamp showing my new design;
 FIG. 2 is a side elevational view thereof as seen in the direction of arrow 2 in FIG. 1;
 FIG. 3 is a side elevational view thereof as seen in the direction of arrow 3 in FIG. 1;
 FIG. 4 is a top plan view thereof;
 FIG. 5 is a bottom plan view thereof;
 FIG. 6 is an exploded isometric view thereof, the fluorescent lamp being fragmentarily in broken lines for illustrative purposes only.

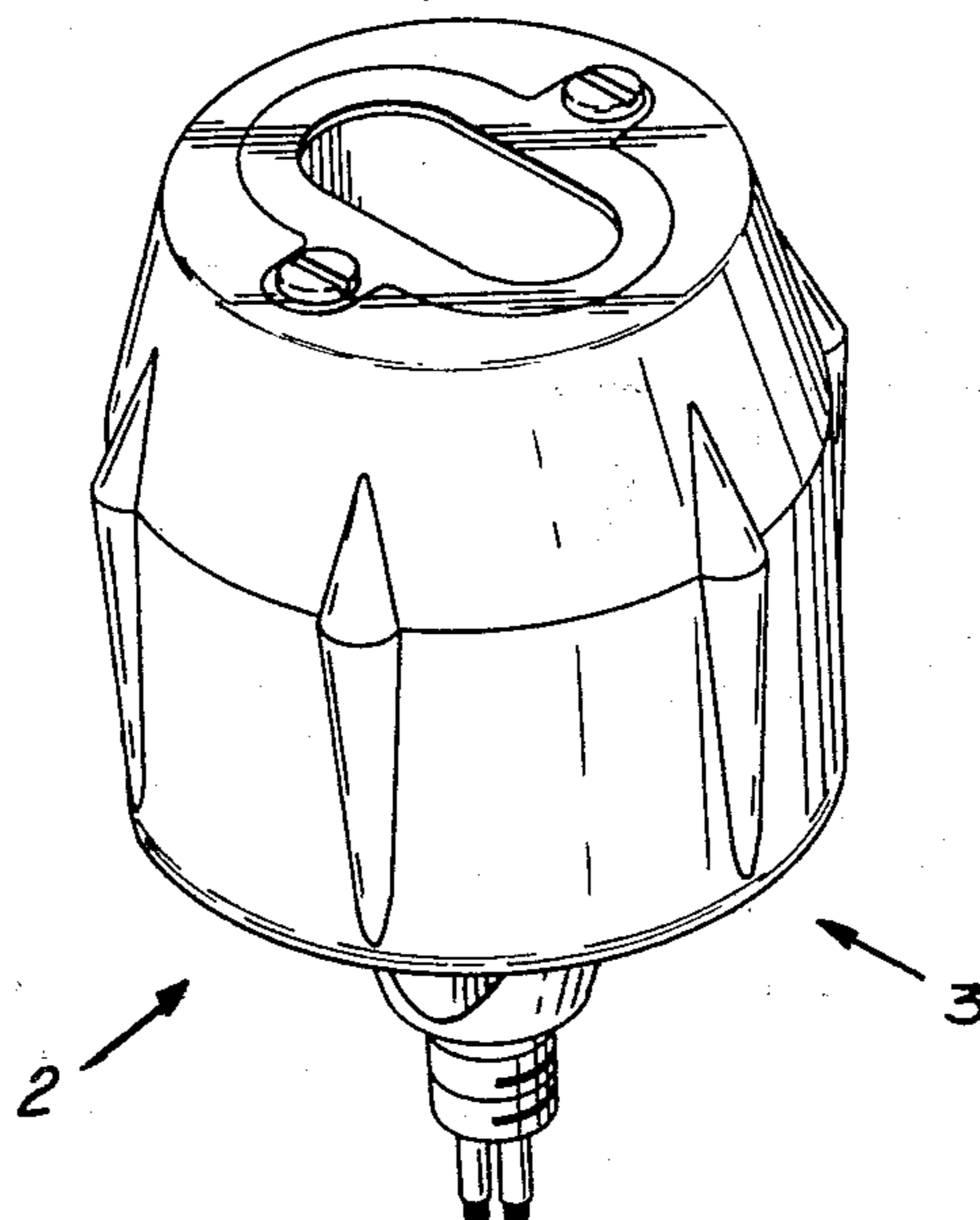


FIG. 1

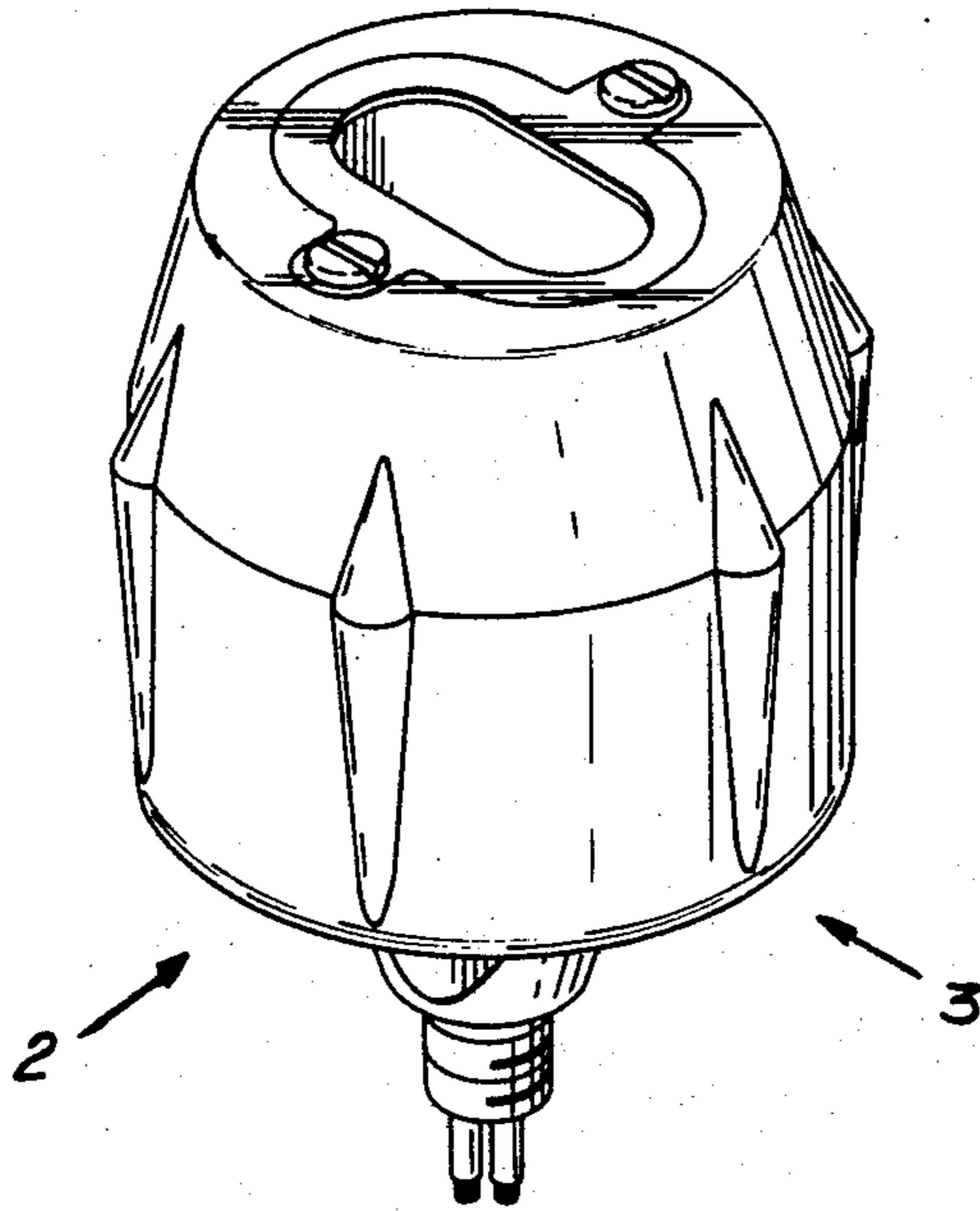


FIG. 3

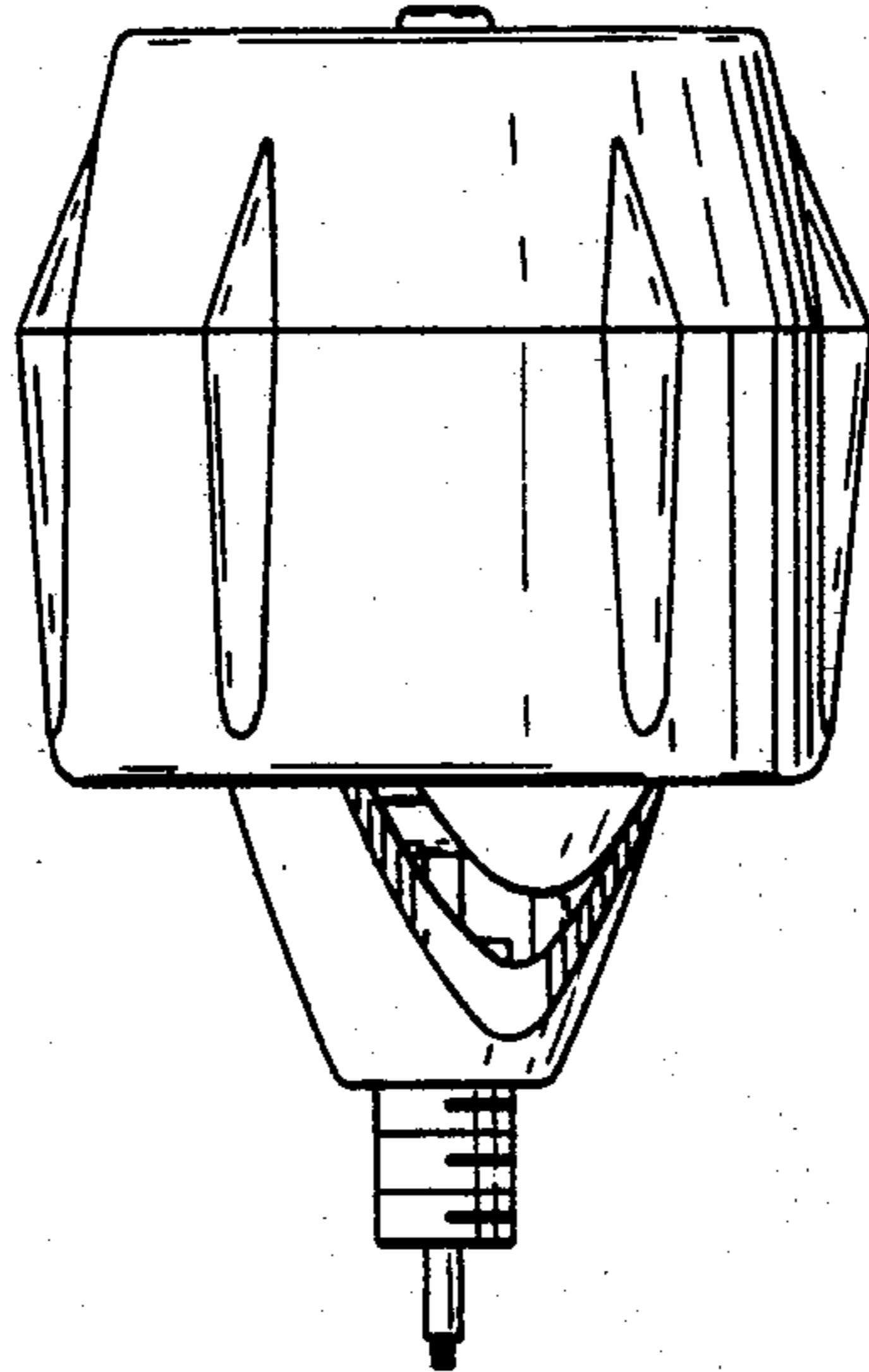
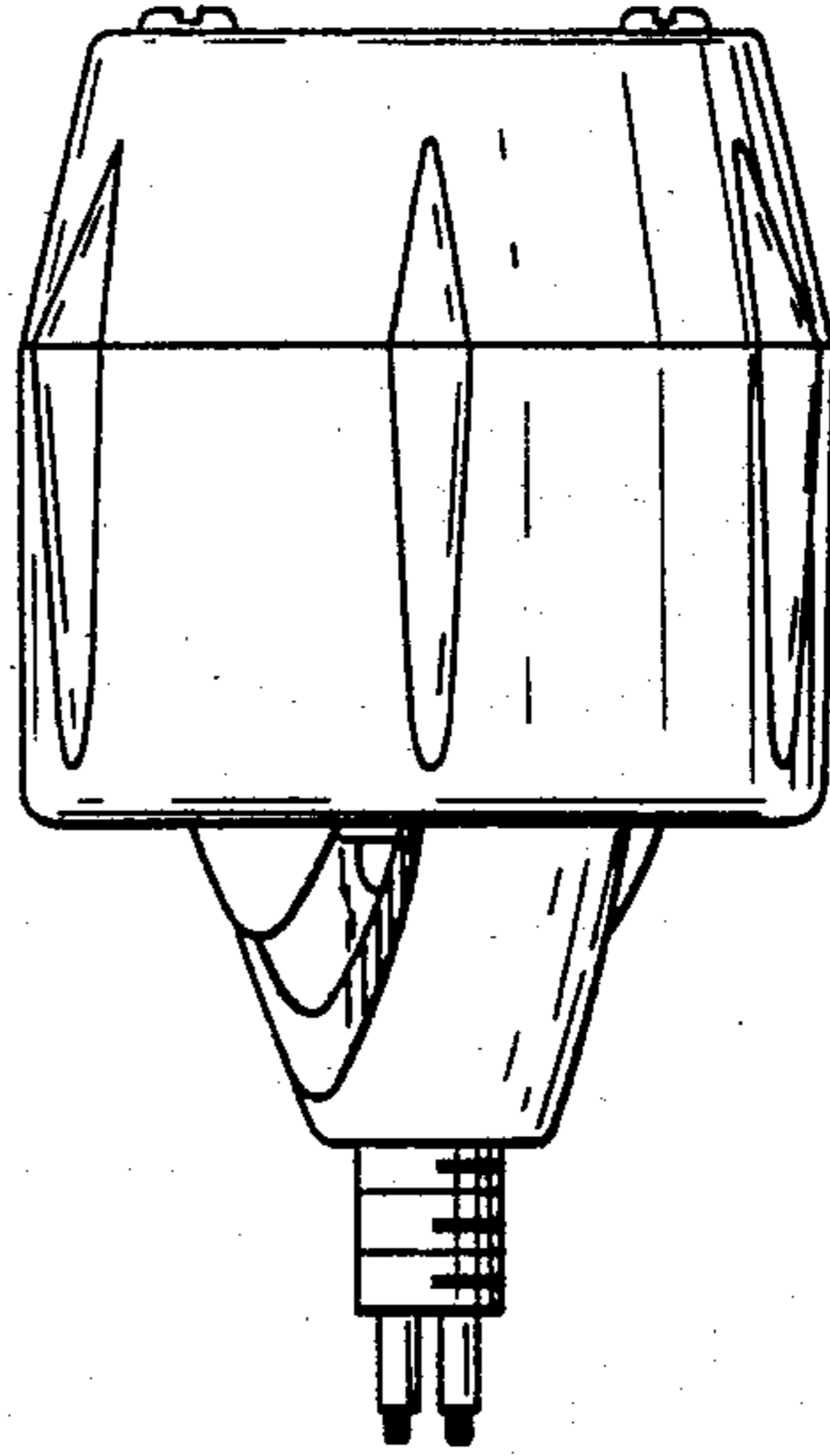


FIG. 2

FIG. 4

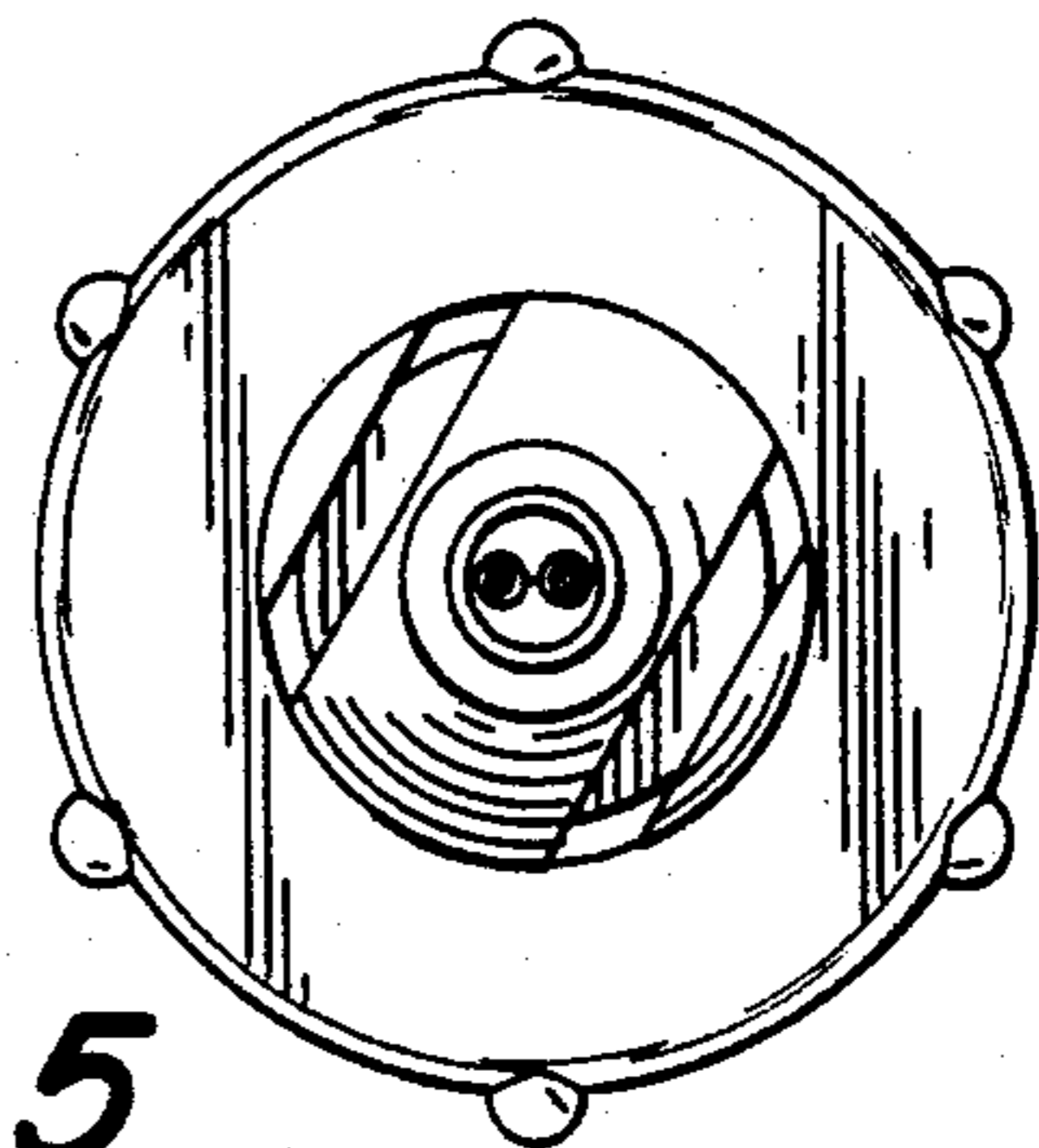
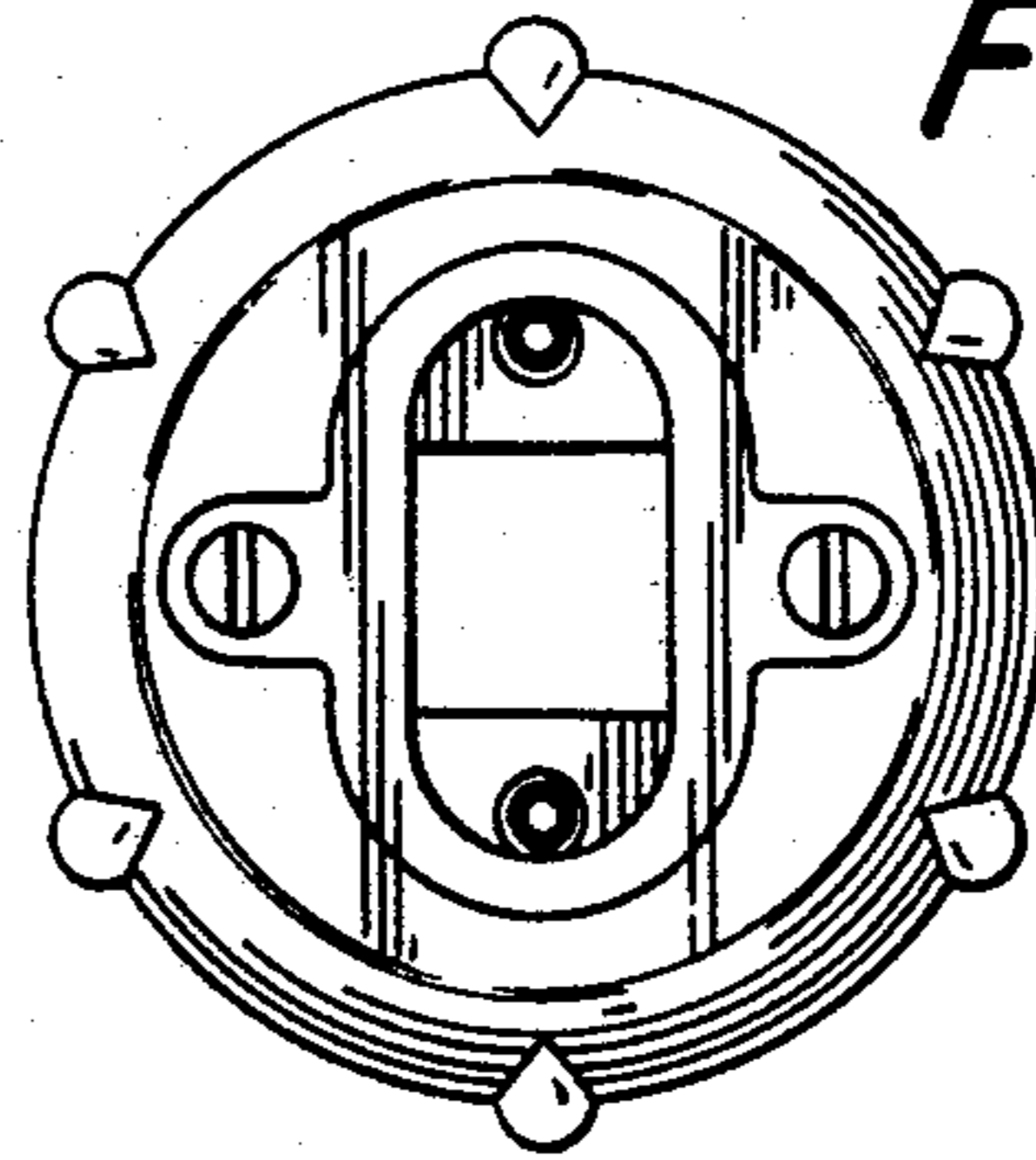


FIG. 5

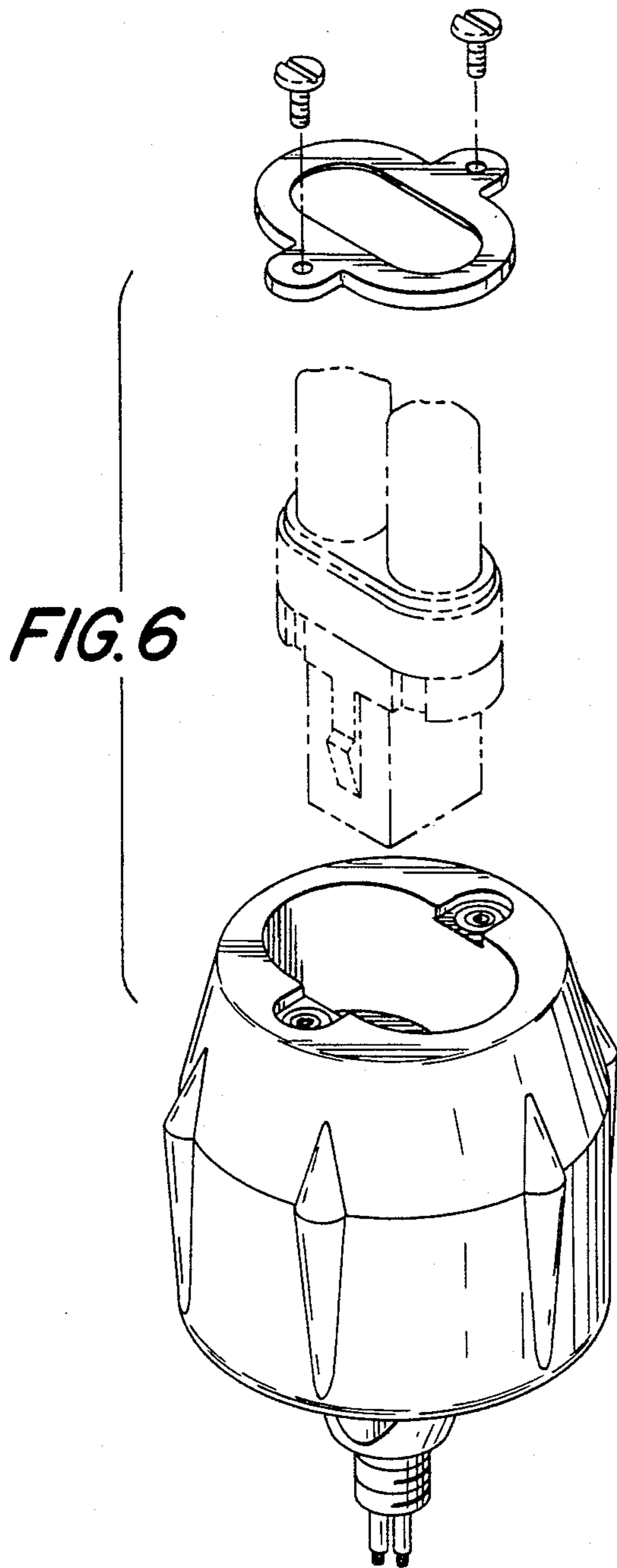


FIG. 6