

[54] **TWO-STAGE SPACECRAFT WITH COLLAPSIBLE WINGS**

[75] **Inventor: Gordon Rosenthal, Jericho, N.Y.**

[73] **Assignee: Fairchild Industries, Inc., Chantilly, Va.**

[**] **Term: 14 Years**

[21] **Appl. No.: 805,771**

[22] **Filed: Nov. 19, 1985**

[52] **U.S. Cl. D12/334; D12/331**

[58] **Field of Search D12/300, 338, 339, 334; 244/2, 160, 162**

[56] **References Cited**

U.S. PATENT DOCUMENTS

3,999,728 12/1976 Zimmer 244/2

FOREIGN PATENT DOCUMENTS

891658 10/1953 Fed. Rep. of Germany 244/2

494399 10/1938 United Kingdom 244/2

1151577 5/1969 United Kingdom 244/2

OTHER PUBLICATIONS

Flight Int'l, Jun. 1981, p. 1877, "Circa 2080".

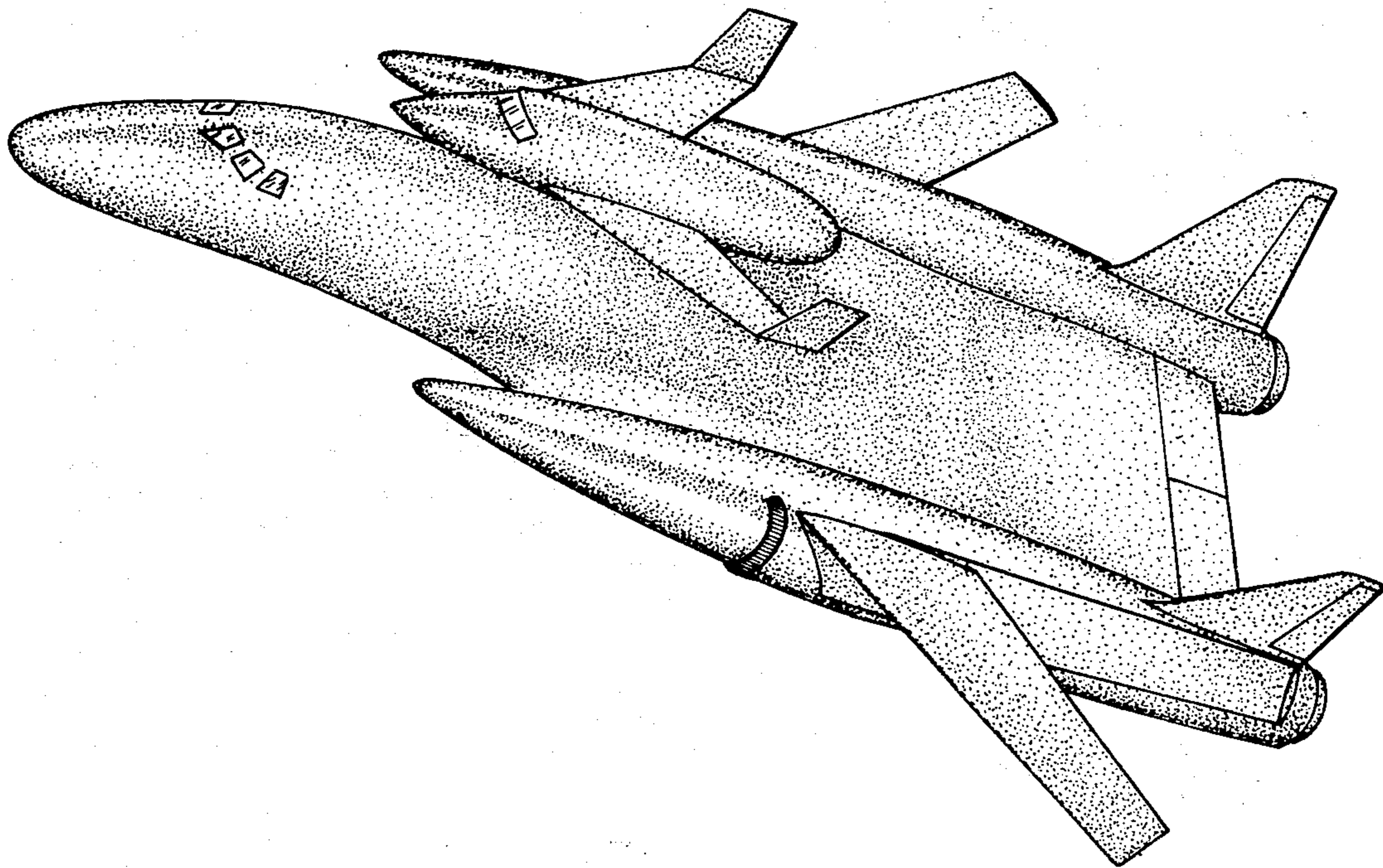
Primary Examiner—James M. Gandy
Assistant Examiner—Kay H. Chin
Attorney, Agent, or Firm—Michael W. York

[57] **CLAIM**

The ornamental design for a two-stage spacecraft with collapsible wings, substantially as shown and described.

DESCRIPTION

FIG. 1 is a perspective view of a two-stage spacecraft with collapsible wings showing my new design; FIG. 2 is a front elevational view thereof; FIG. 3 is a rear elevational view thereof; FIG. 4 is a top plan view thereof; FIG. 5 is a side elevational view thereof, the opposite side being a mirror image of that shown; FIG. 6 is a perspective view of a two-stage spacecraft with collapsible wings showing the wings rotated in a fully collapsed and stowed condition; FIG. 7 is a top plan view of FIG. 6; FIG. 8 is a side elevational view of FIG. 6, the opposite side being a mirror image of that shown; FIG. 9 is a bottom plan view of FIG. 6; FIG. 10 is a front elevational view of FIG. 6; FIG. 11 is a rear elevational view of FIG. 6; and FIG. 12 is a bottom plan view of FIG. 1.



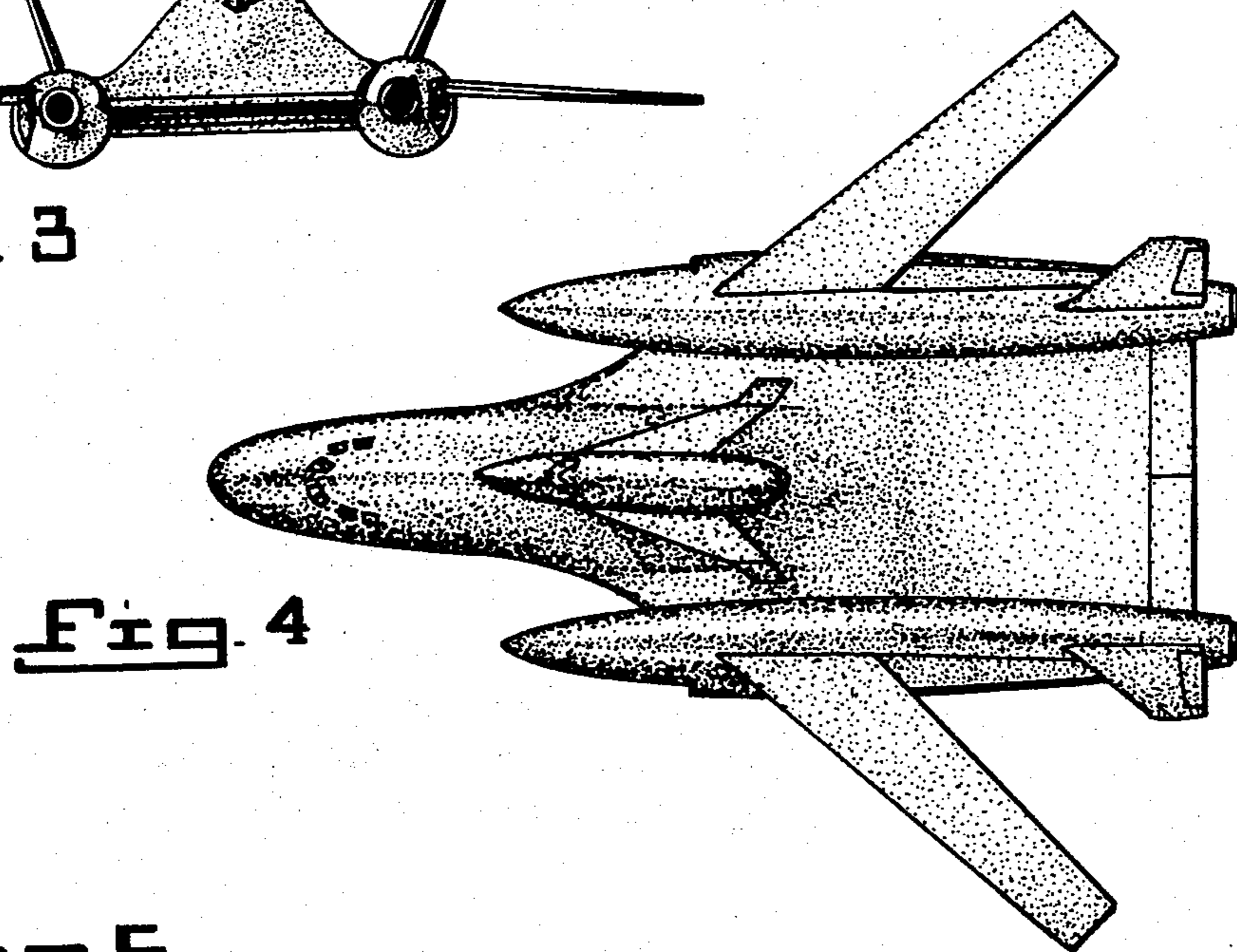
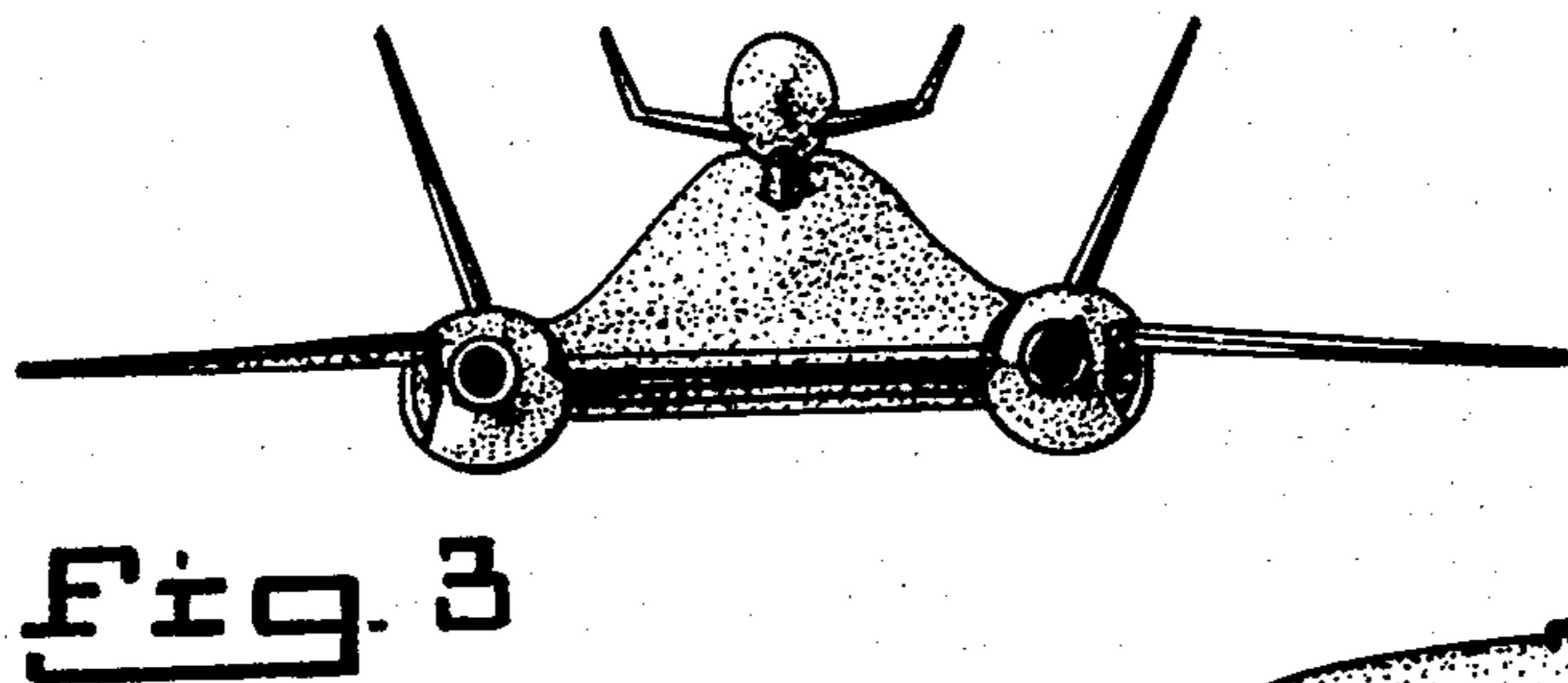
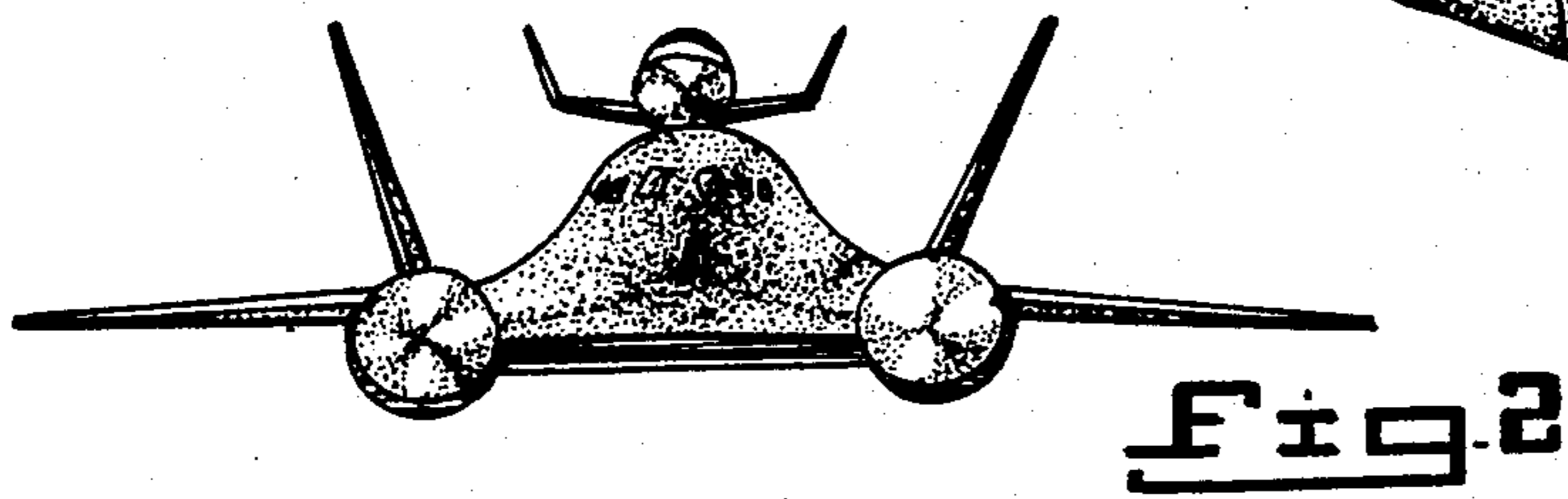
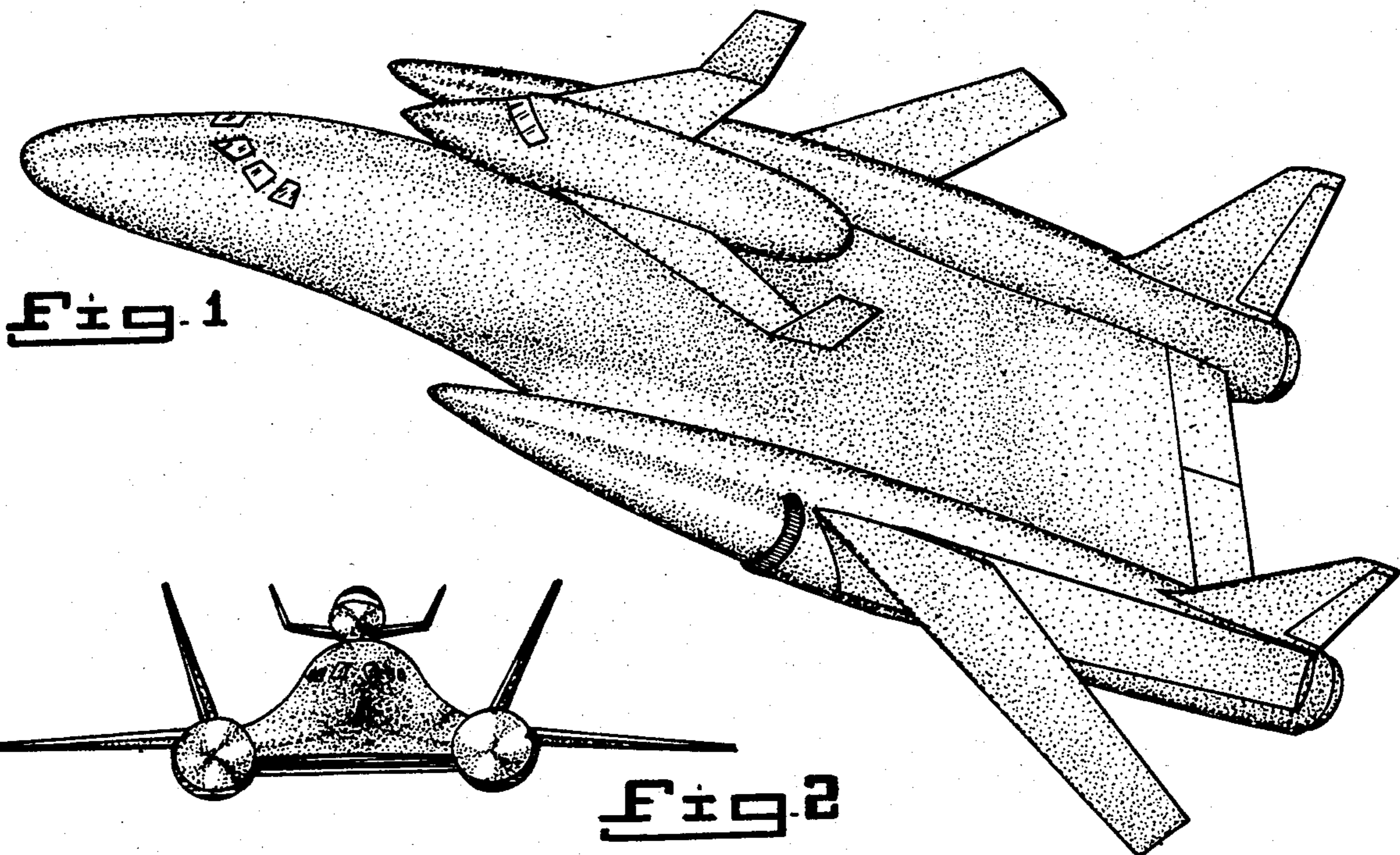
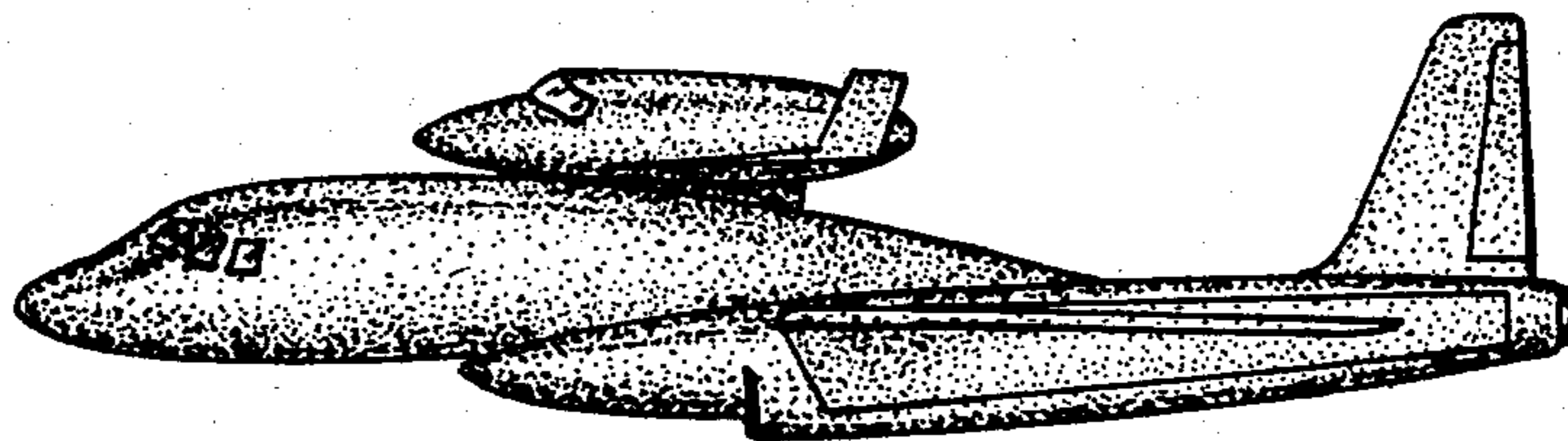


Fig. 5



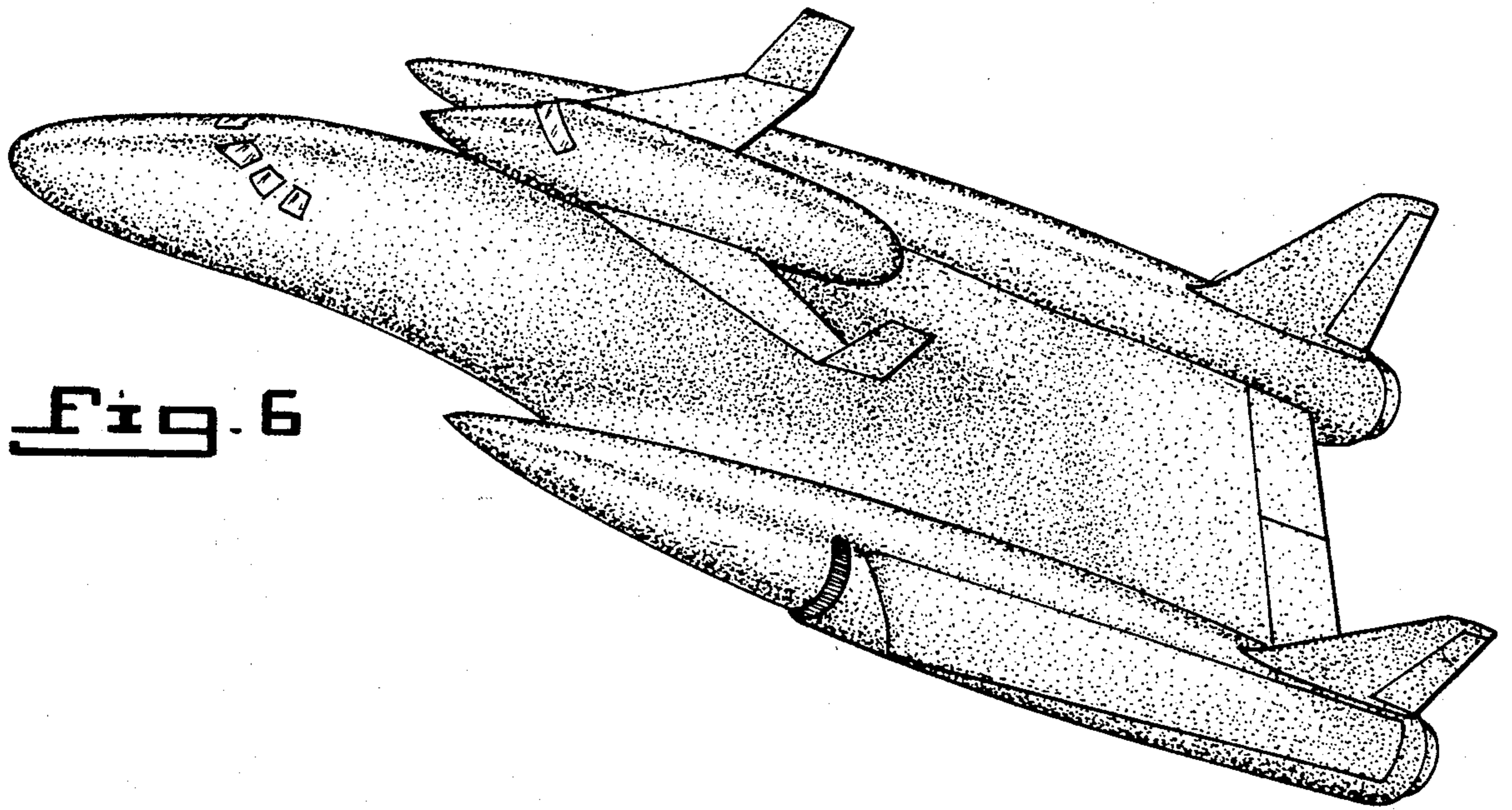


Fig. 6

Fig. 7

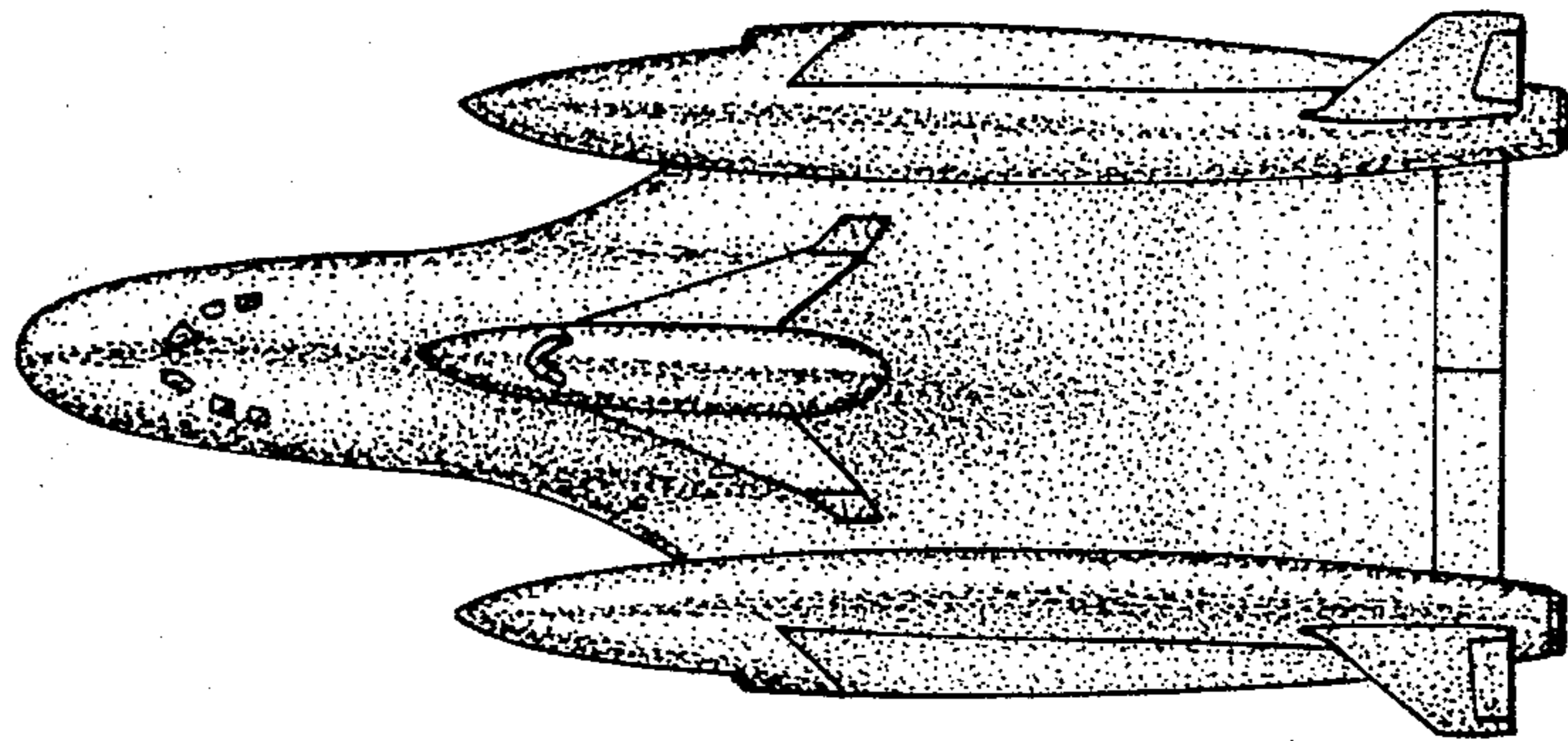


Fig. 8

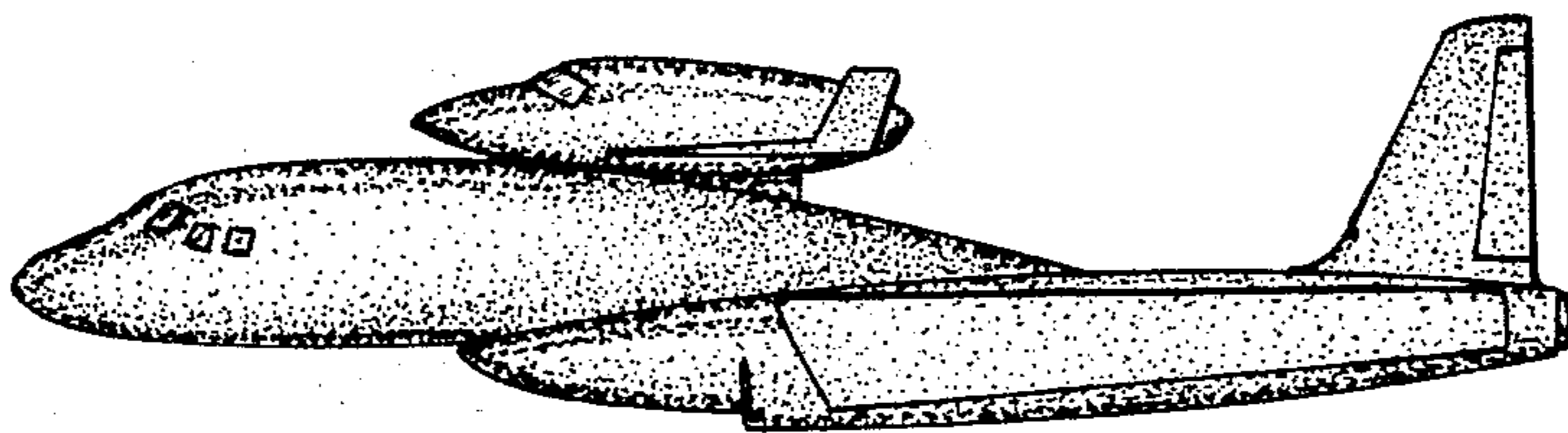


Fig. 9

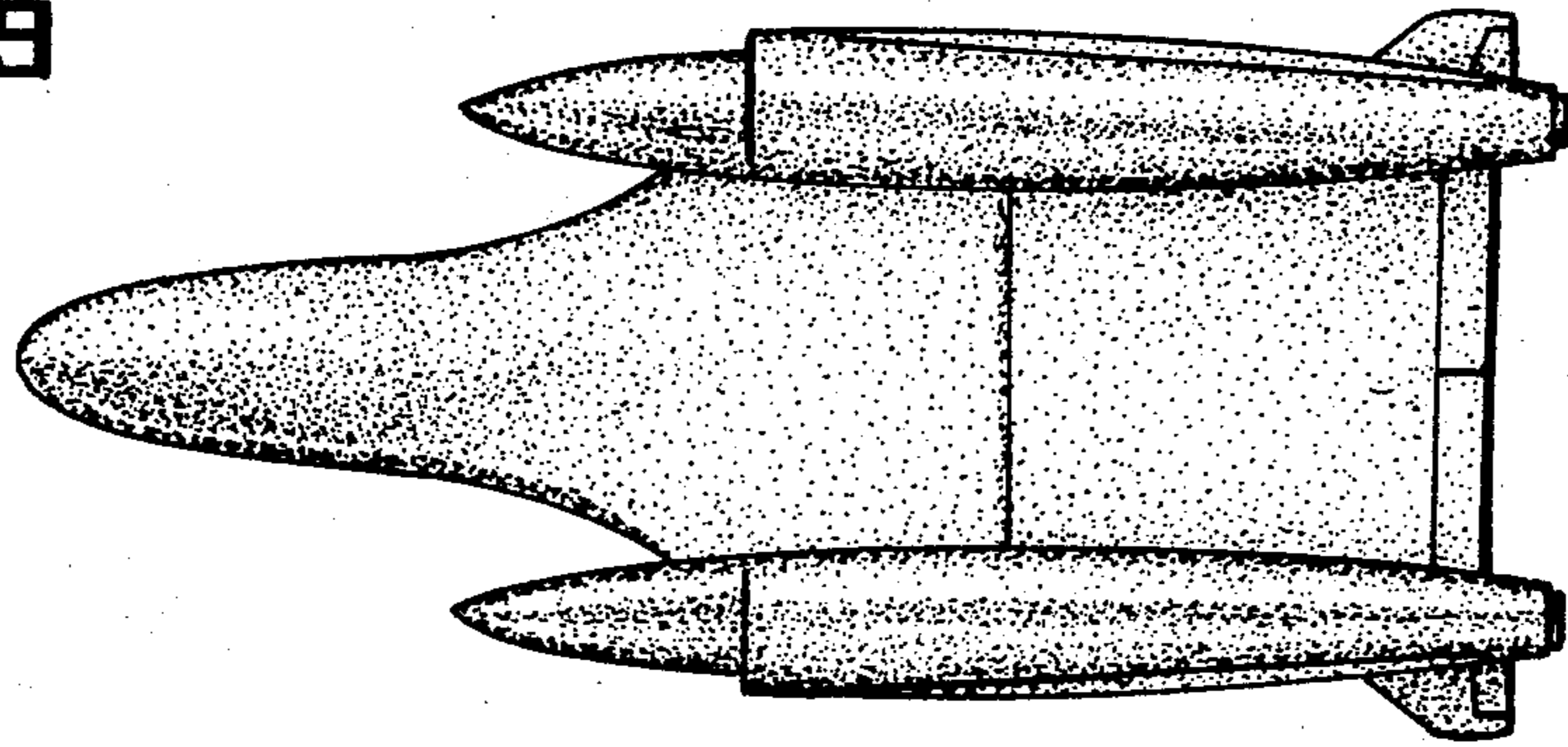


Fig. 12

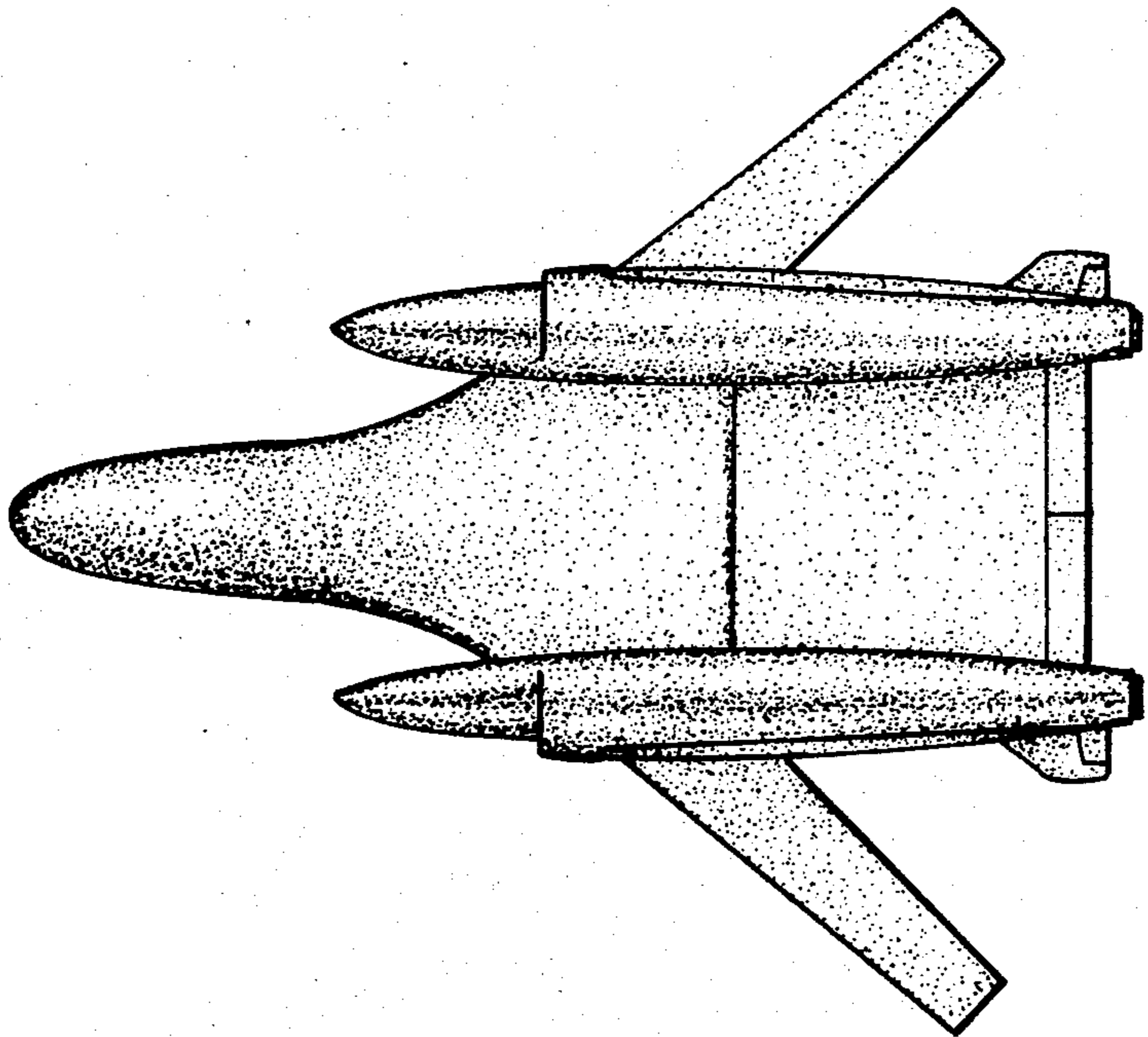


Fig. 10

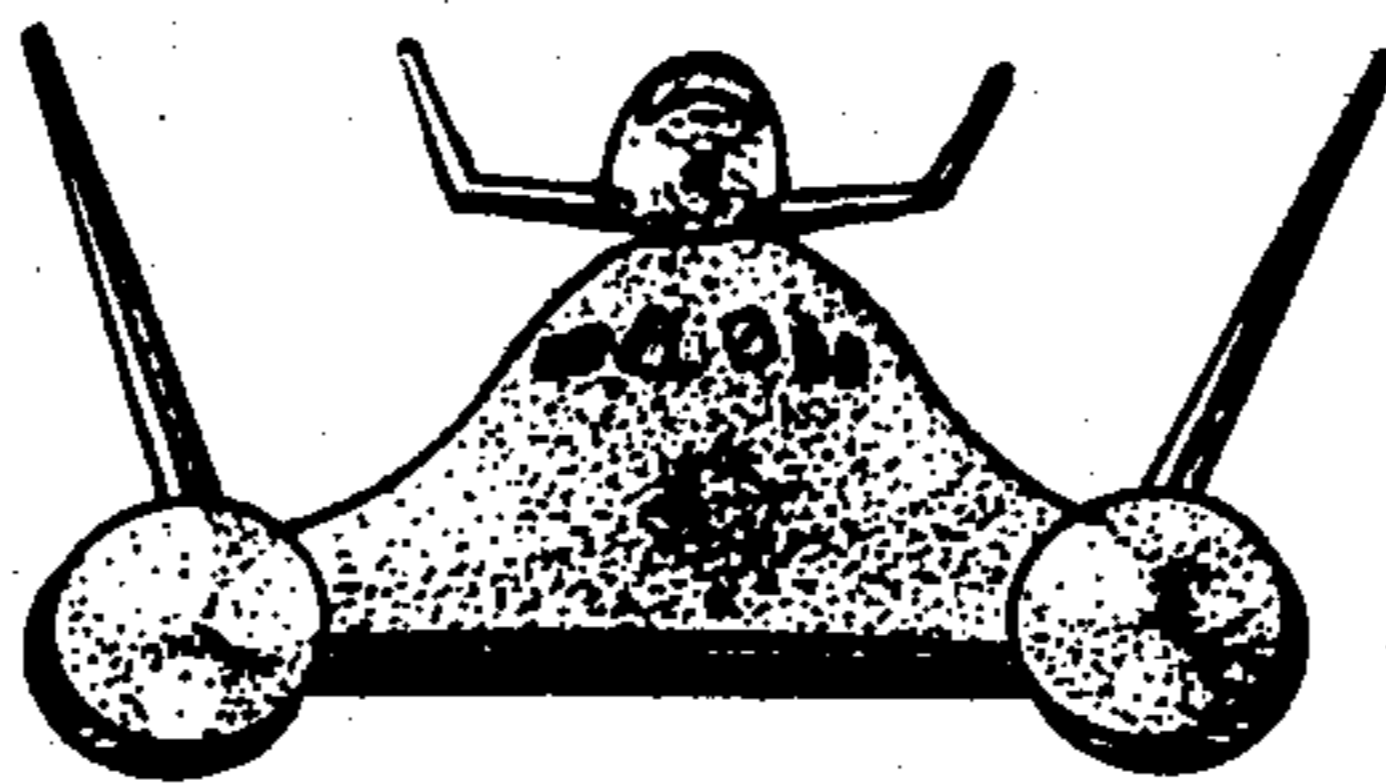


Fig. 11

