

[54] RADIATOR GRILLE FOR AN AUTOMOBILE

[75] Inventor: Tsutomu Kawaguchi, Toyota, Japan

[73] Assignee: Toyota Jidosha Kabushiki Kaisha, Toyota, Japan

[**] Term: 14 Years

[21] Appl. No.: 760,986

[22] Filed: Jul. 31, 1985

[52] U.S. Cl. D12/163

[58] Field of Search D12/163; D25/87, 88, D25/91; 180/68.6

[56] References Cited

U.S. PATENT DOCUMENTS

D. 274,234 6/1984 Koyanagi D12/163

OTHER PUBLICATIONS

Road & Track, 1/83, p. 34, Front Grill of Toyota Celica GT-s.

Nissan Stanza brochure, front cover, Front Grill of Nissan Stanza.

Primary Examiner—James M. Gandy

Attorney, Agent, or Firm—Cushman, Darby & Cushman

[57] CLAIM

The ornamental design for a radiator grill for an automobile, as shown.

DESCRIPTION

FIG. 1 is a perspective view of a radiator grill for an automobile showing my new design; FIG. 2 is a front elevational view; FIG. 3 is a rear elevational view; FIG. 4 is a top plan view; FIG. 5 is a bottom plan view; FIG. 6 is a left side elevational view; FIG. 7 is a right side elevational view; and FIG. 8 is a sectional view taken along line VIII—VIII in FIG. 2.

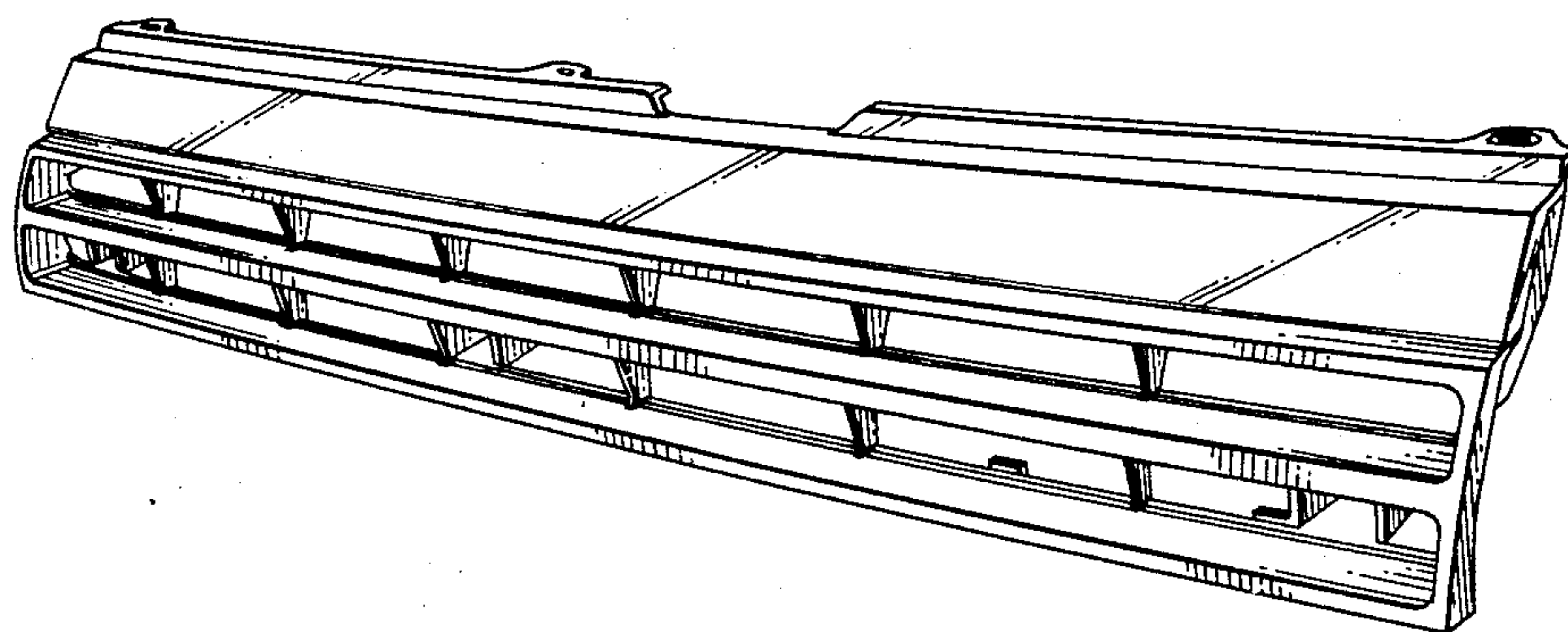


Fig. 1

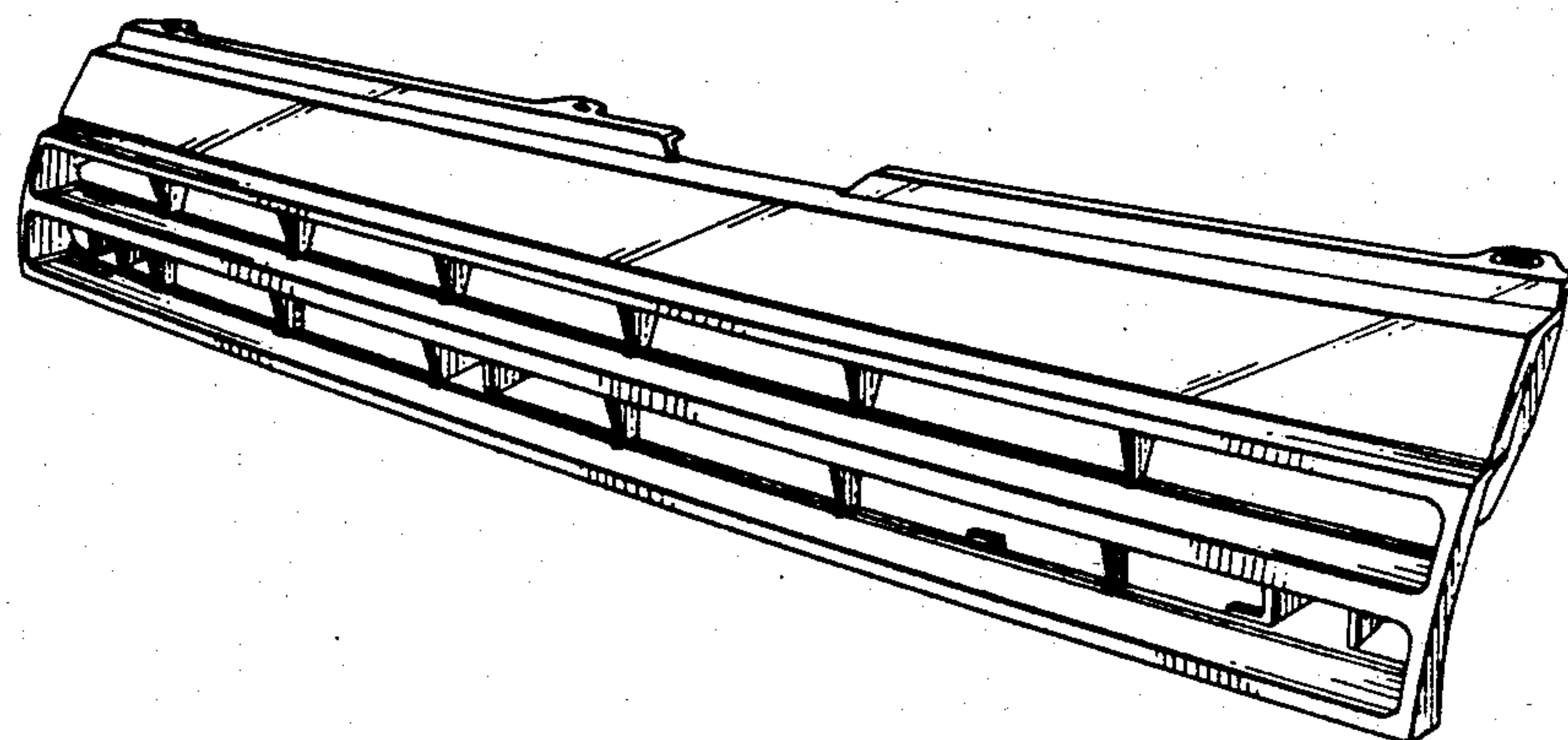


Fig.2

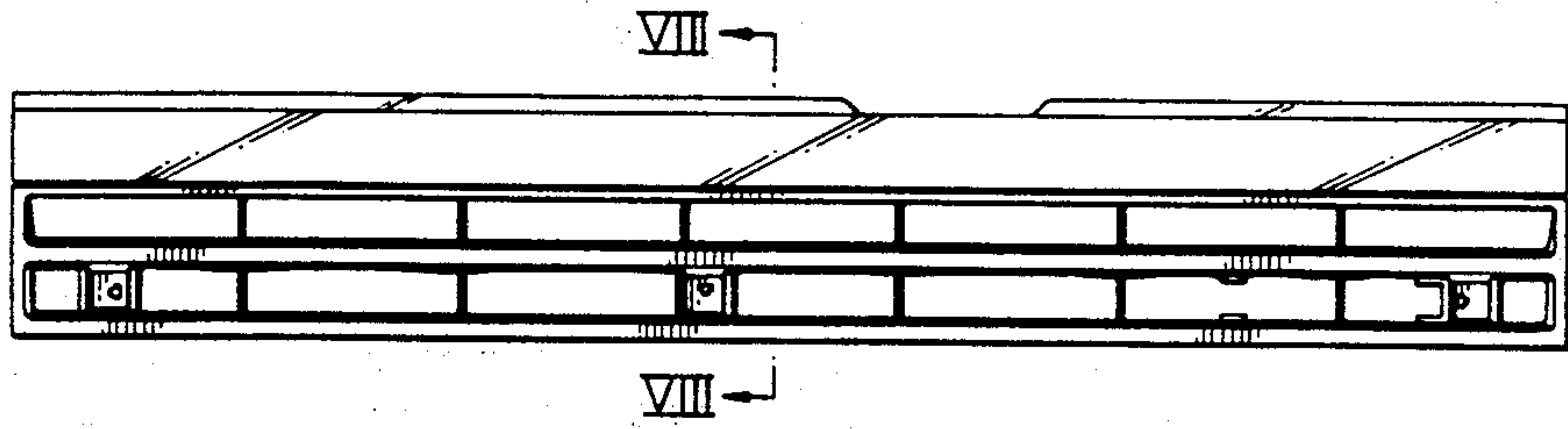


Fig.3

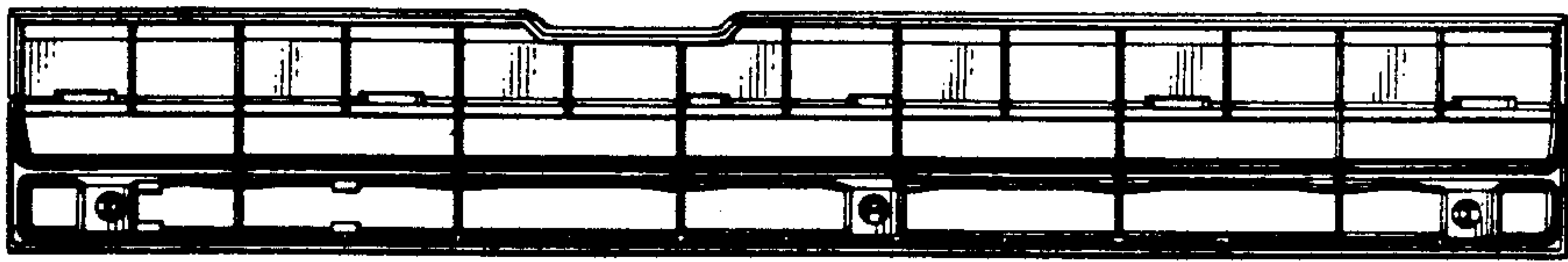


Fig.4

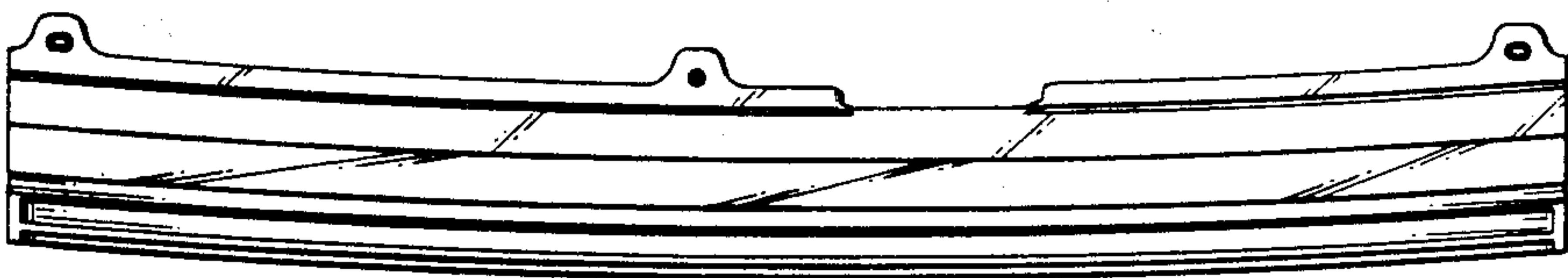


Fig.5

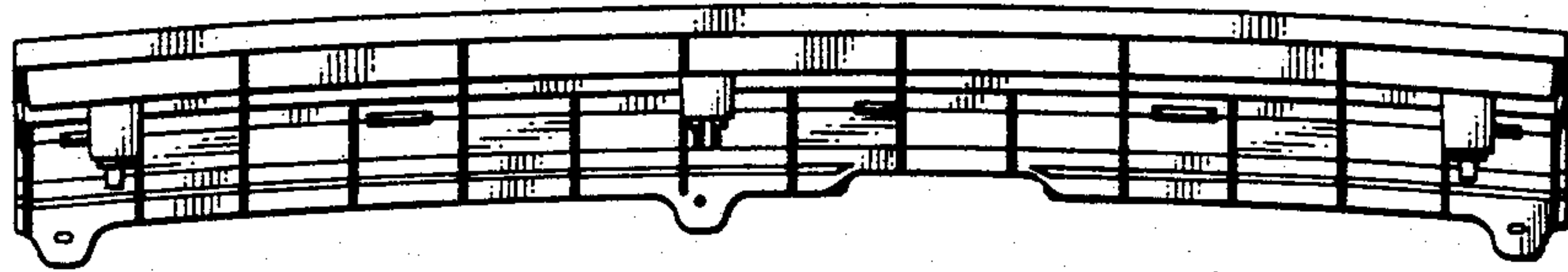


Fig.6

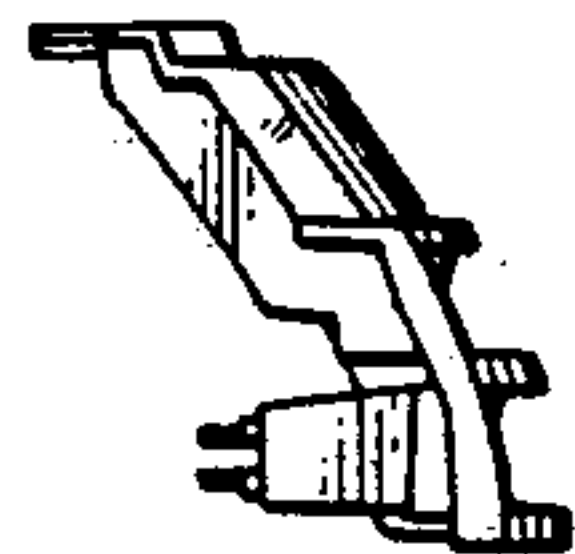


Fig.7

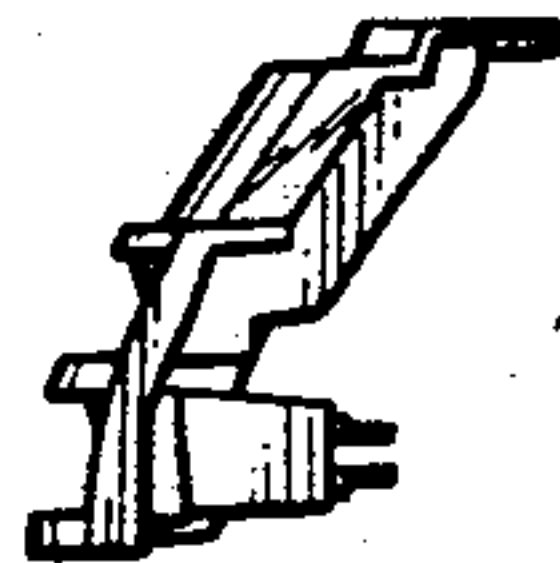


Fig.8

