

[54] BICYCLE

[75] Inventor: Martin Cristie, Brooklyn, N.Y.

[73] Assignee: National Sporting Goods Corp., Passaic, N.J.

[**] Term: 14 Years

[21] Appl. No.: 753,940

[22] Filed: Jul. 11, 1985

[52] U.S. Cl. D12/111

[58] Field of Search D12/111; 280/281 R

[56] References Cited

U.S. PATENT DOCUMENTS

2,510,013 5/1950 Edgar D12/111

FOREIGN PATENT DOCUMENTS

2407172 9/1974 Fed. Rep. of Germany 280/281 R

588459 1/1925 France 280/281 R

OTHER PUBLICATIONS

1984 Ross Bicycles catalog, p. 14, 192-29, Coaster Bicycle.

Primary Examiner—James M. Gandy

Attorney, Agent, or Firm—Charles E. Temko

[57] CLAIM

The ornamental design for a bicycle, as shown and described.

DESCRIPTION

FIG. 1 is a right side elevational view of a bicycle showing my new design;

FIG. 2 is a left side elevational view thereof;

FIG. 3 is a top plan view thereof;

FIG. 4 is a bottom plan thereof;

FIG. 5 is a front elevational view thereof; and

FIG. 6 is a rear elevational view thereof.

The broken lines in the drawing are for illustrative purposes only and form no part of the claimed design.

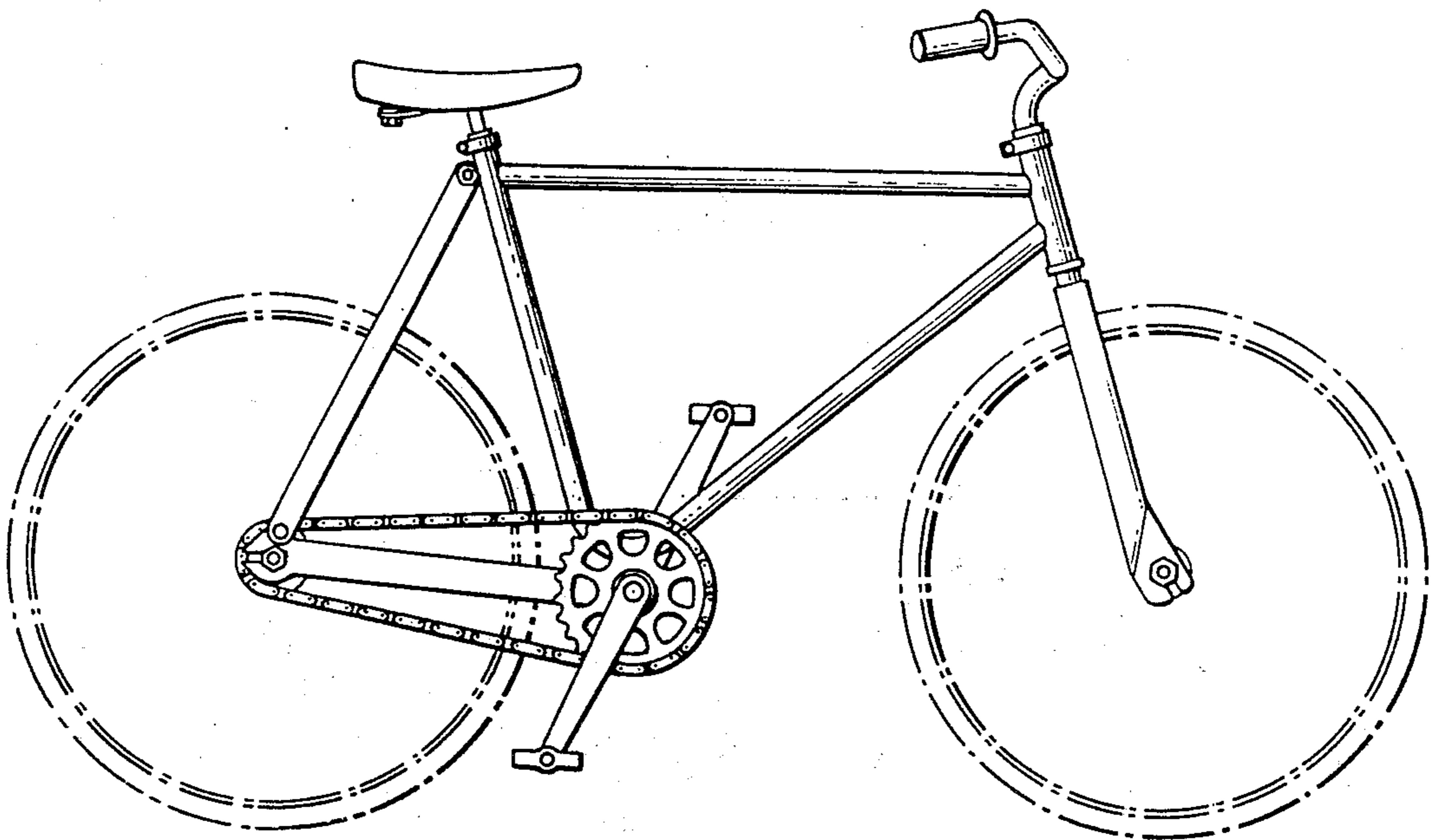


FIG. 1.

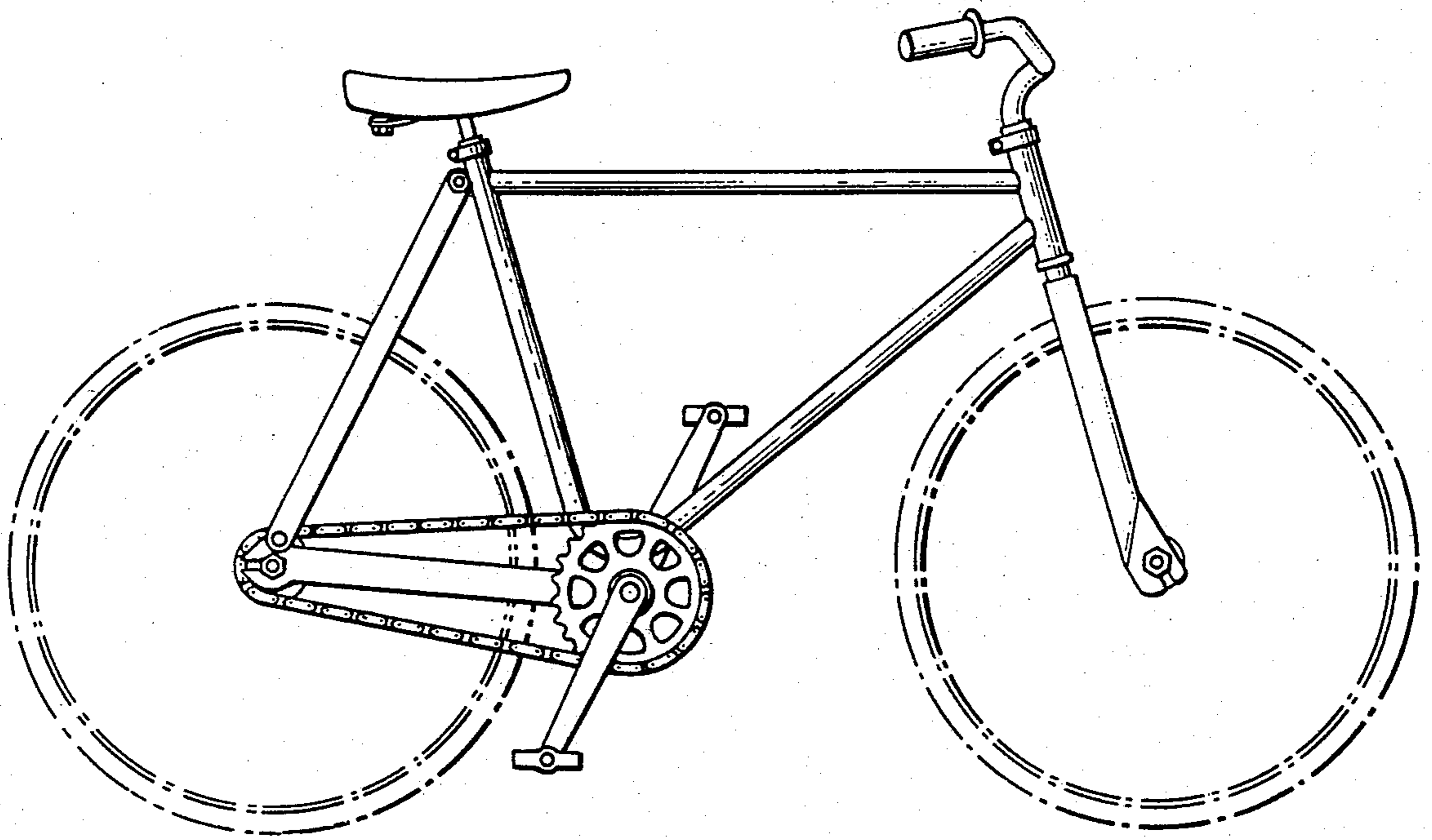


FIG. 2.

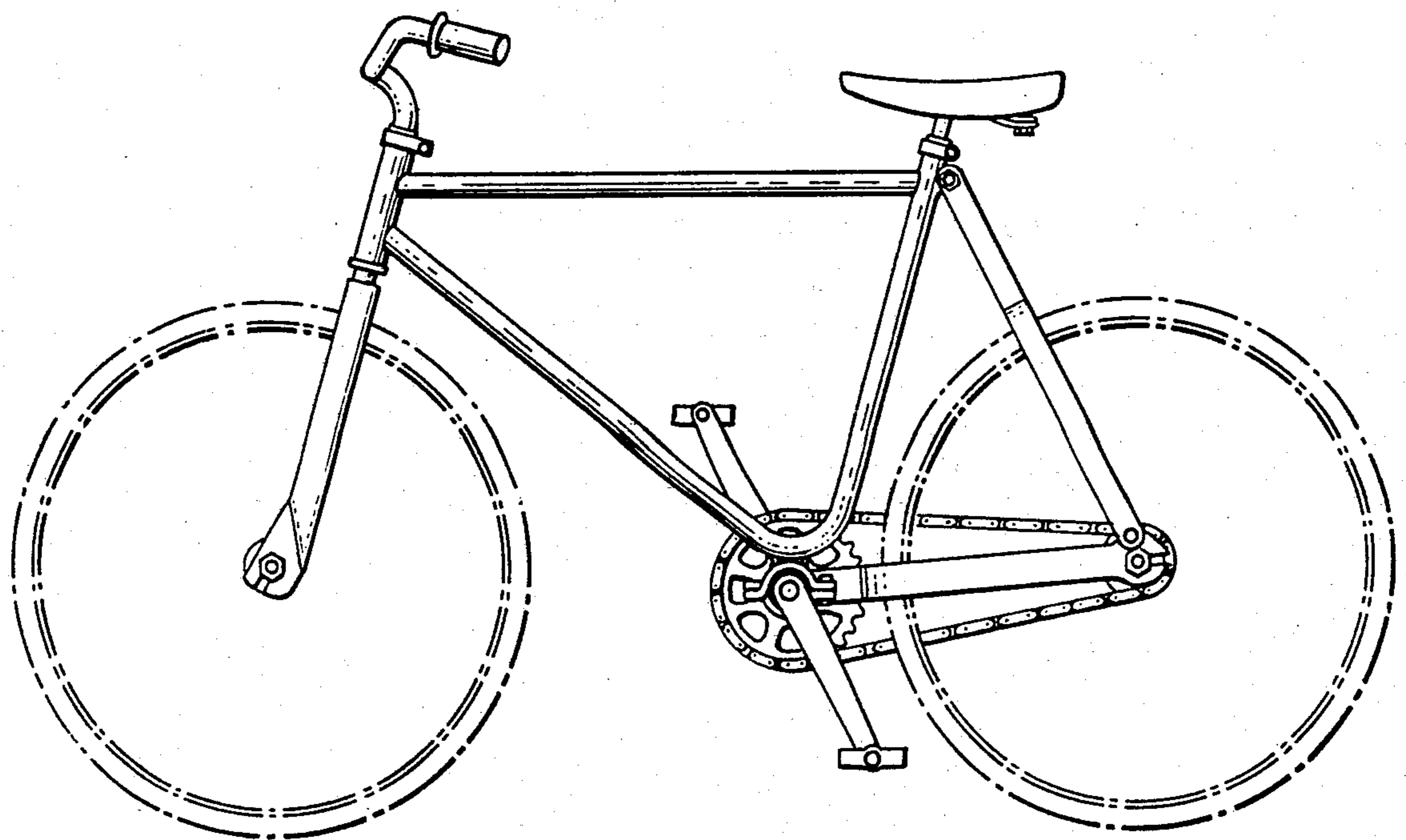


FIG. 3.

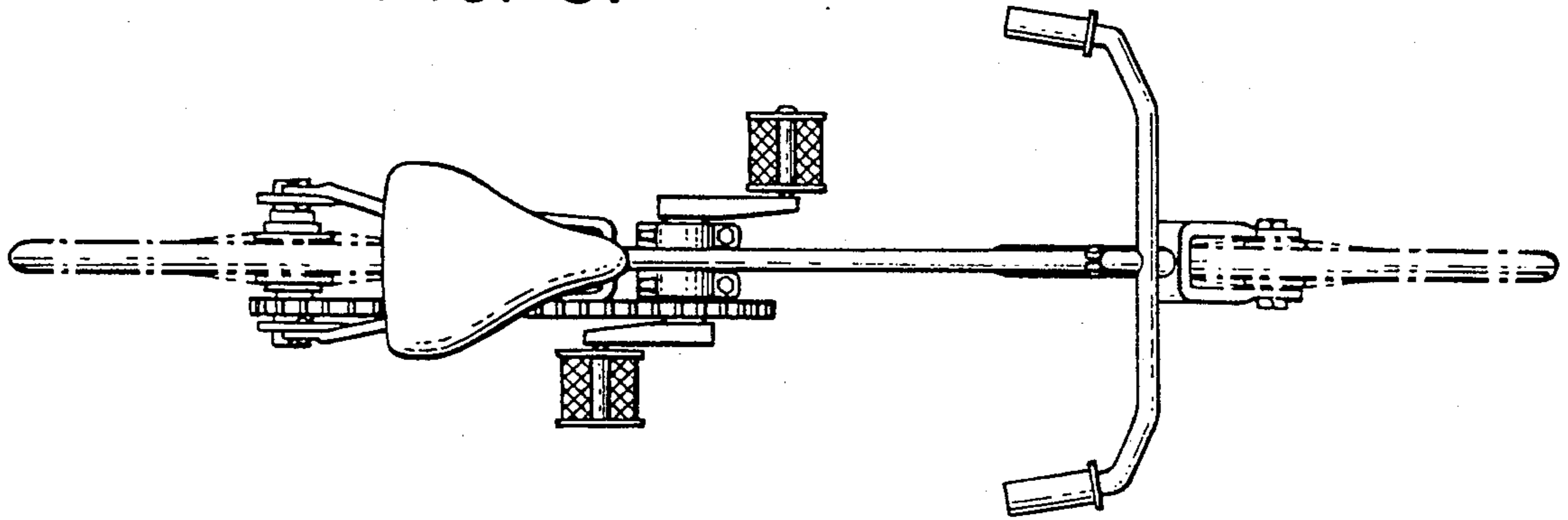


FIG. 4.

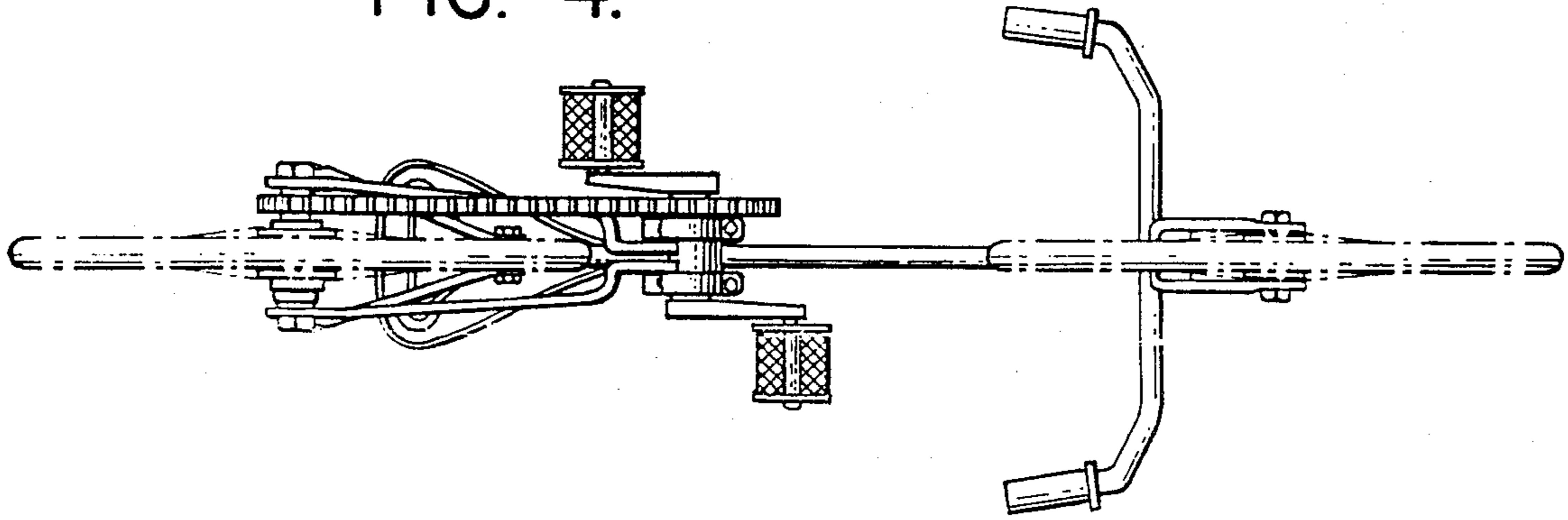


FIG. 5.

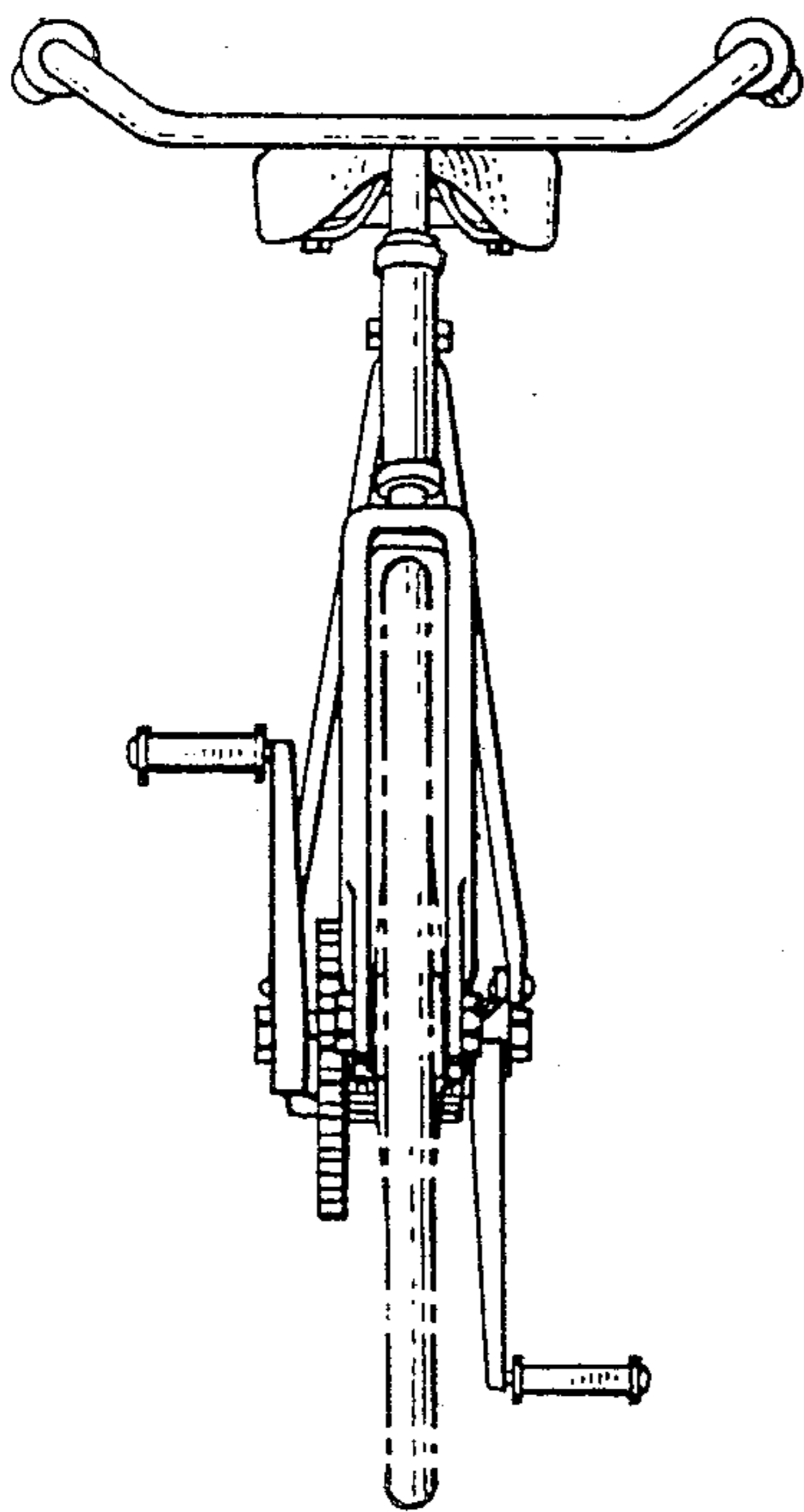


FIG. 6.

