

[54] CLOCK

[75] Inventor: Siegfried Hölterscheidt, Hückelhoven, Fed. Rep. of Germany

[73] Assignee: Walter Henkels GmbH, Fed. Rep. of Germany

[**] Term: 14 Years

[21] Appl. No.: 719,162

[22] Filed: Apr. 2, 1985

[30] Foreign Application Priority Data

Jan. 7, 1985 [DE] Fed. Rep. of Germany MR 159
[52] U.S. Cl. D10/24; D10/18
[58] Field of Search D10/15, 18, 2, 3, 24-27; 368/10, 28, 276-278, 285

[56] References Cited

U.S. PATENT DOCUMENTS

D. 251,481 4/1979 Brasart D10/25
D. 253,773 12/1979 Bieger D10/15 X

OTHER PUBLICATIONS

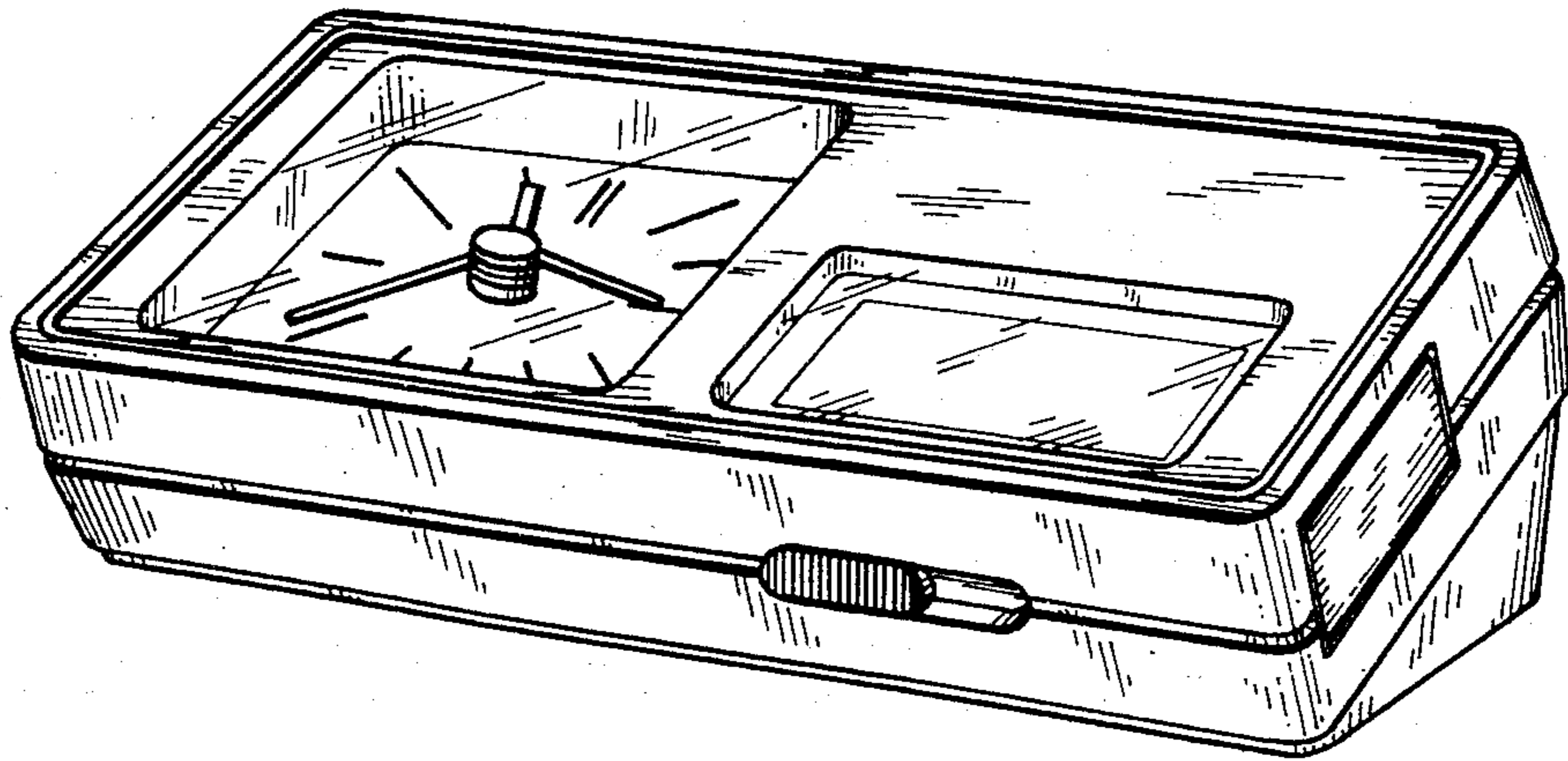
Gifts & Die Access.-2/71-p. 68—Clocks at left.
Swiss Watch & Jewelry Journal-4/79-p. 405—Clocks at right and center.
Jeweler's Circular-Keystone-11/78, p. 65—Clocks at top and bottom.
Primary Examiner—Nelson C. Holtje
Attorney, Agent, or Firm—Ramik & Wight Diller

[57] CLAIM

The ornamental design for a clock, substantially as shown and described.

DESCRIPTION

FIG. 1 is a right front perspective view of a clock showing my new design;
FIG. 2 is a front elevational view thereof;
FIG. 3 is a top plan view thereof;
FIG. 4 is a rear elevational view thereof;
FIG. 5 is a left side elevational view thereof;
FIG. 6 is a right side elevational view thereof, and
FIG. 7 is a bottom plan view thereof.



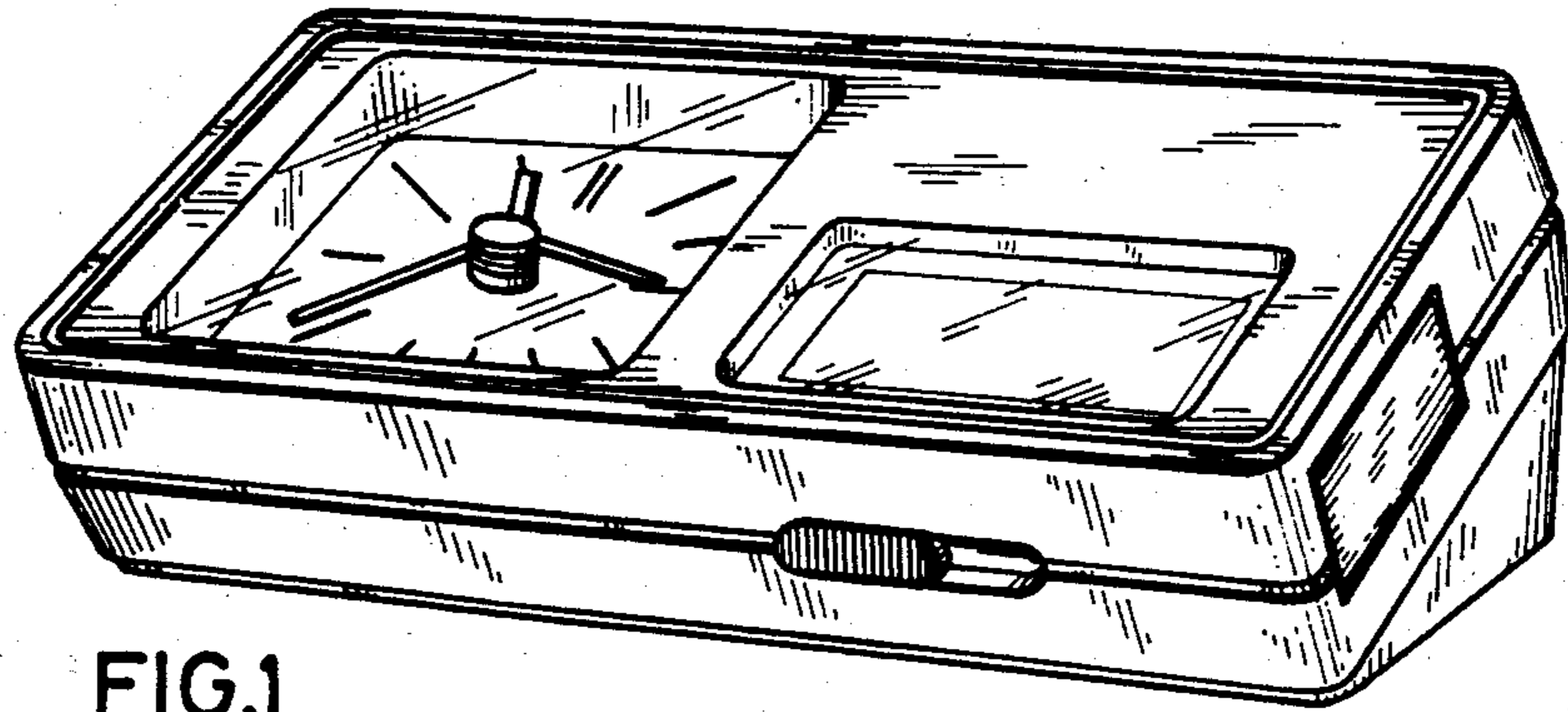


FIG. 1

FIG. 2

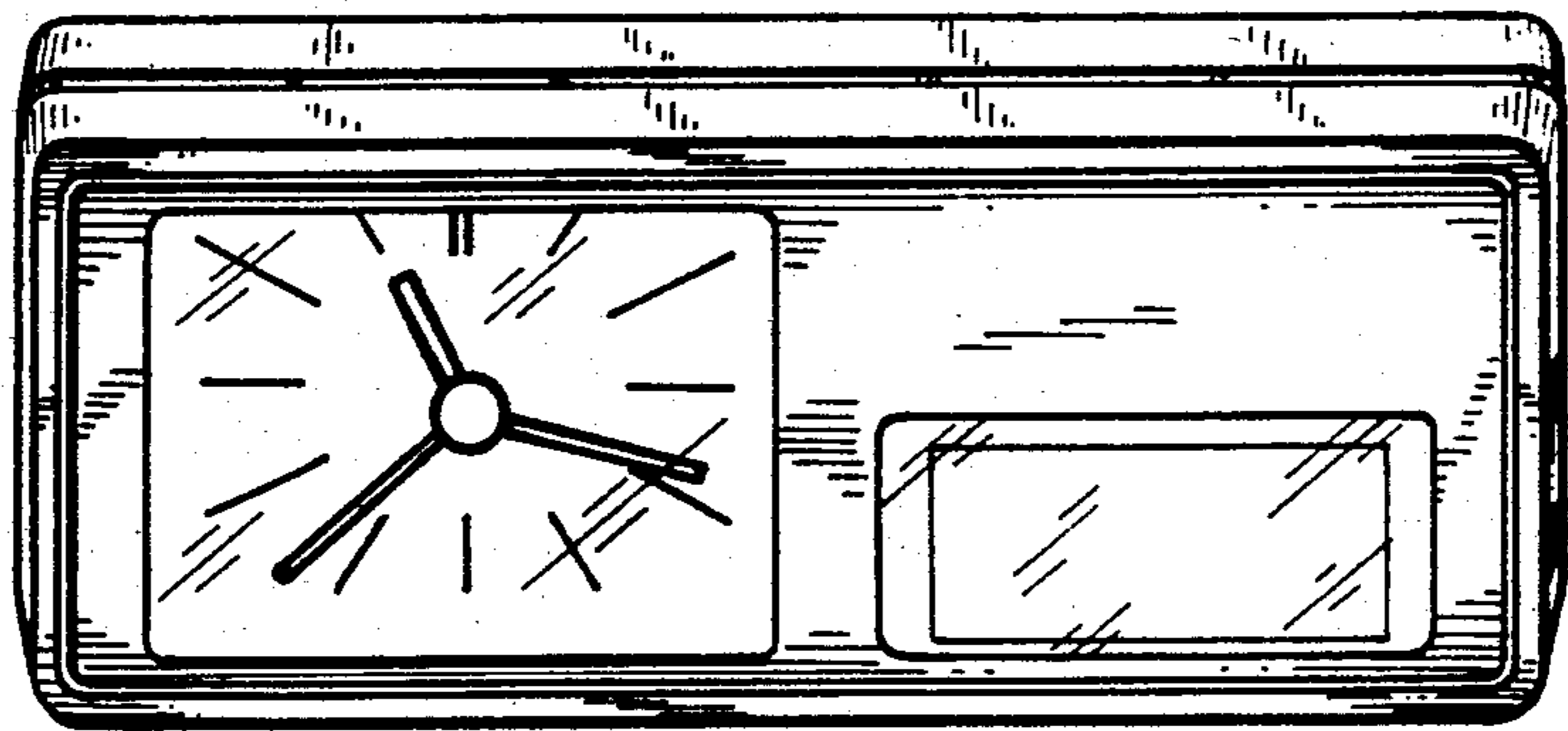
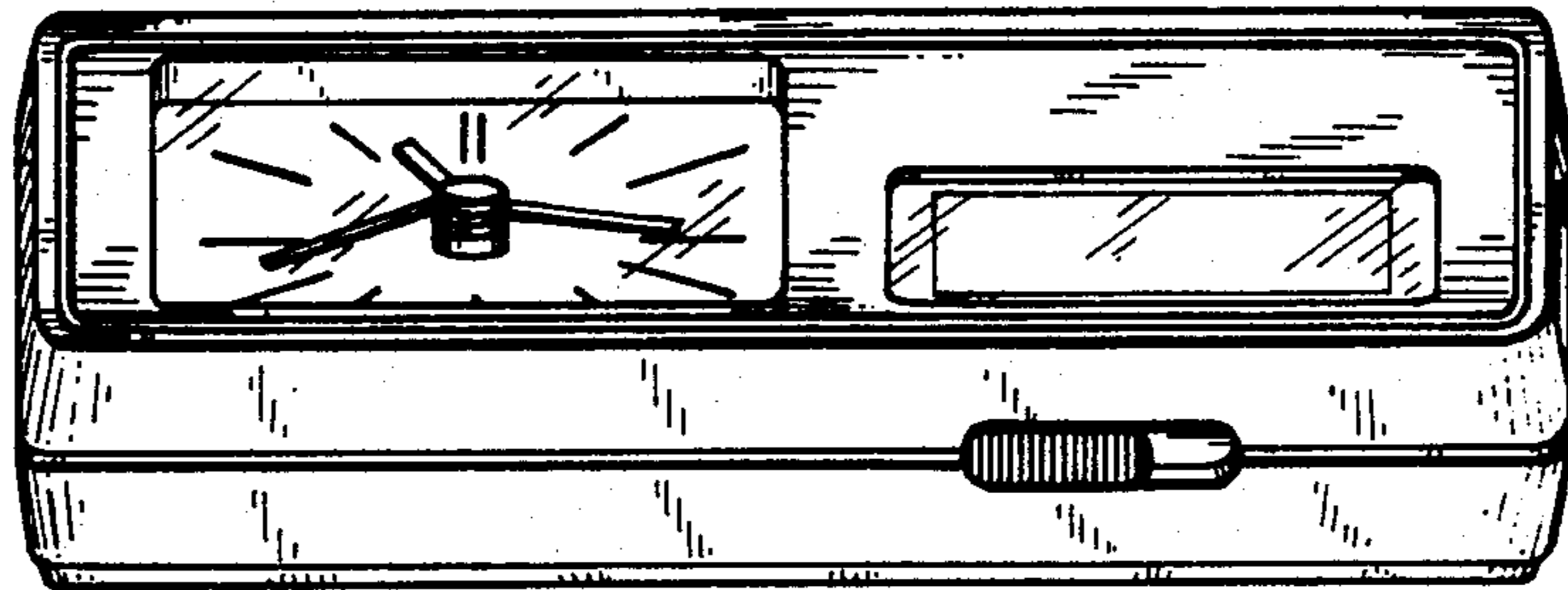


FIG. 3

FIG. 4

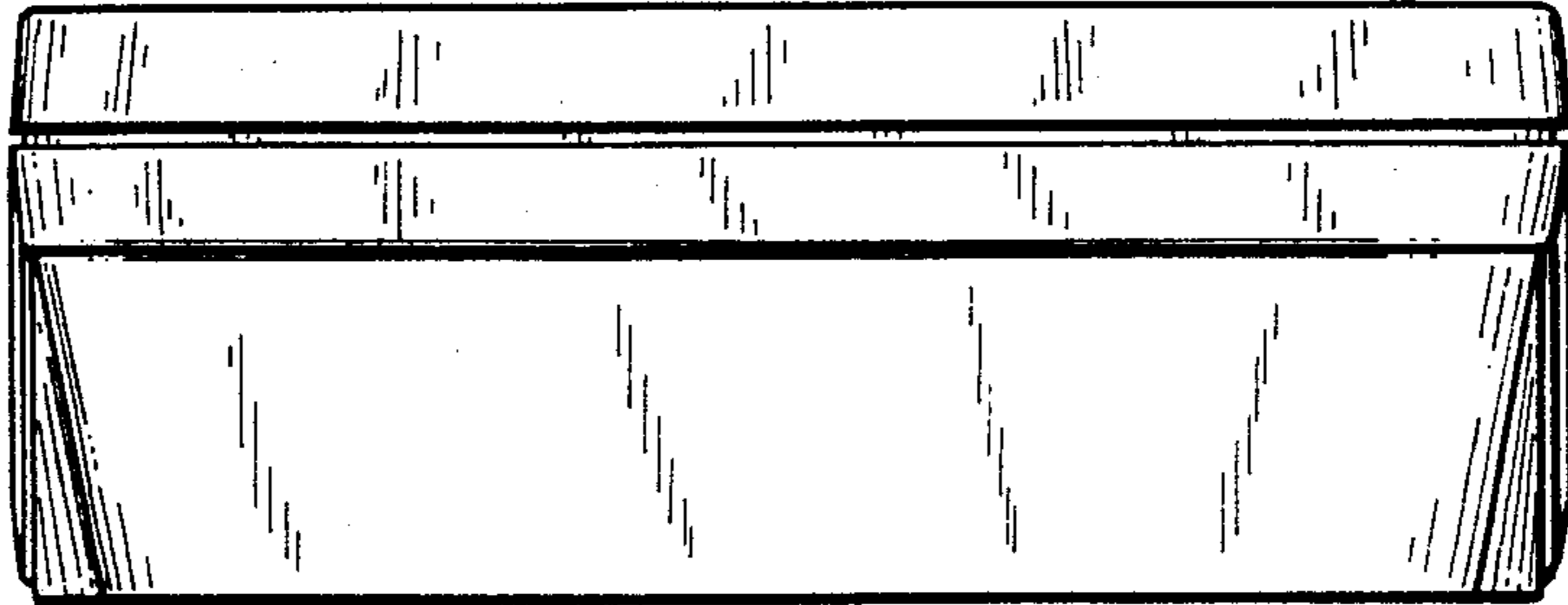


FIG. 5

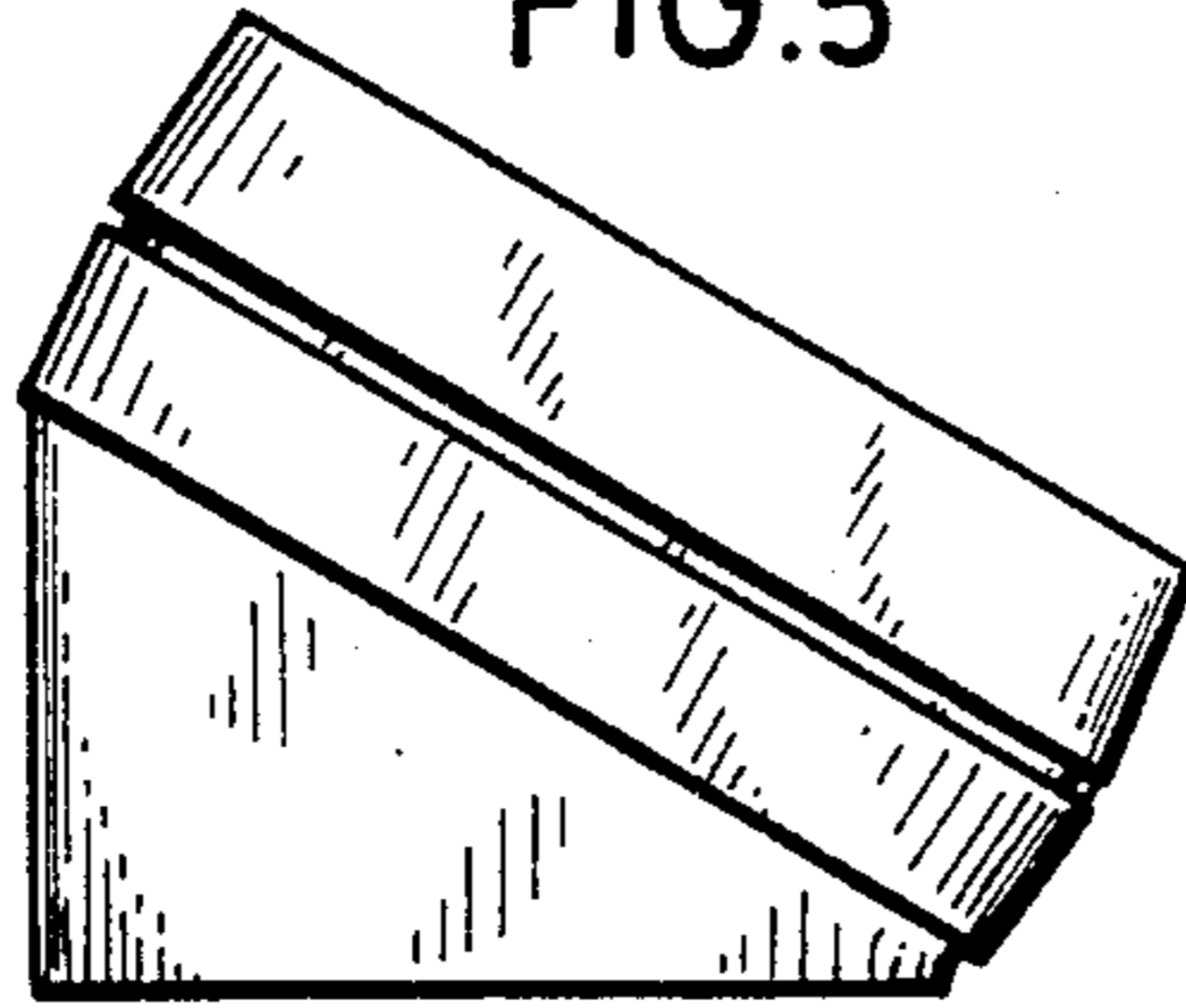


FIG. 6

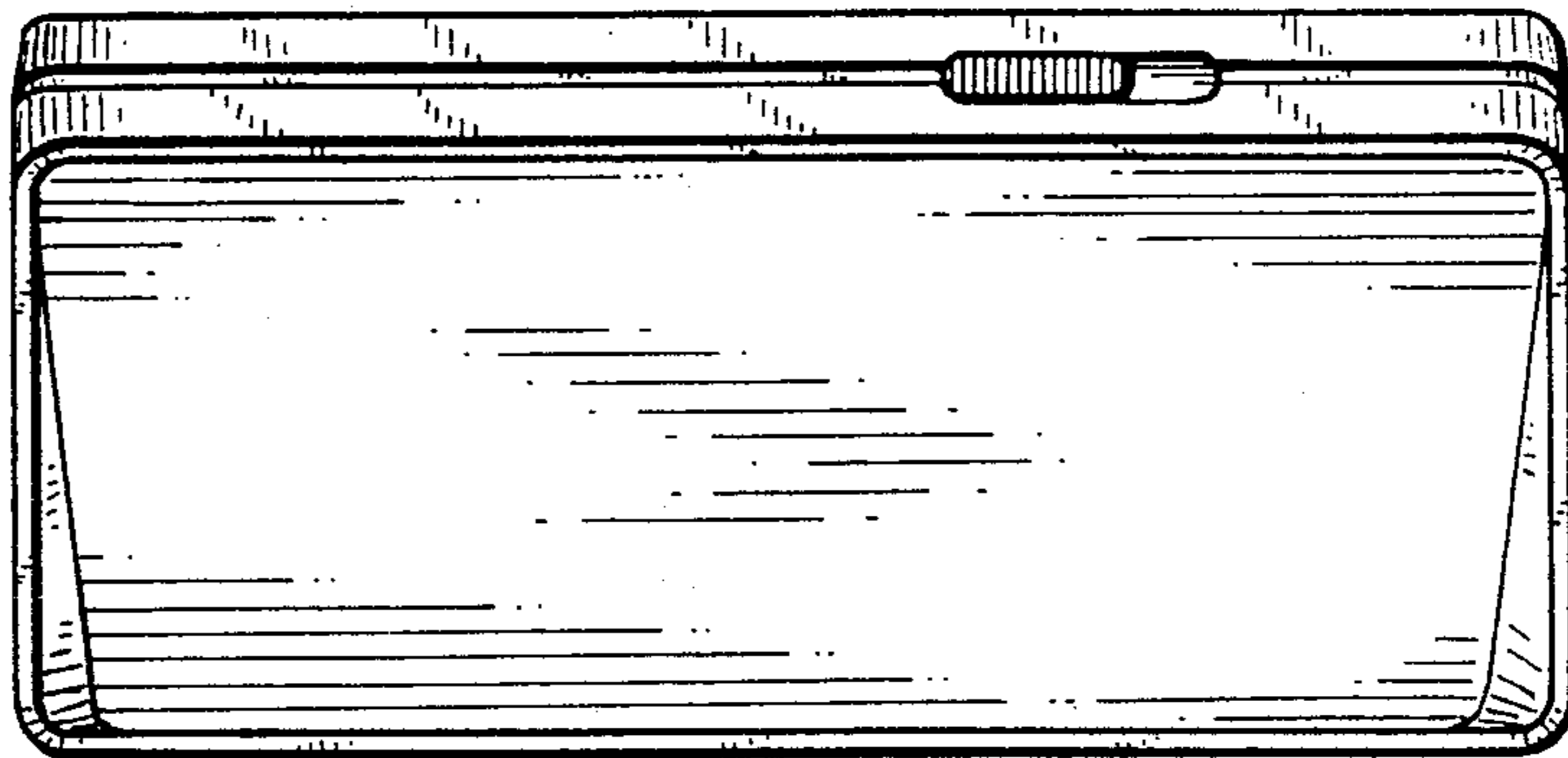
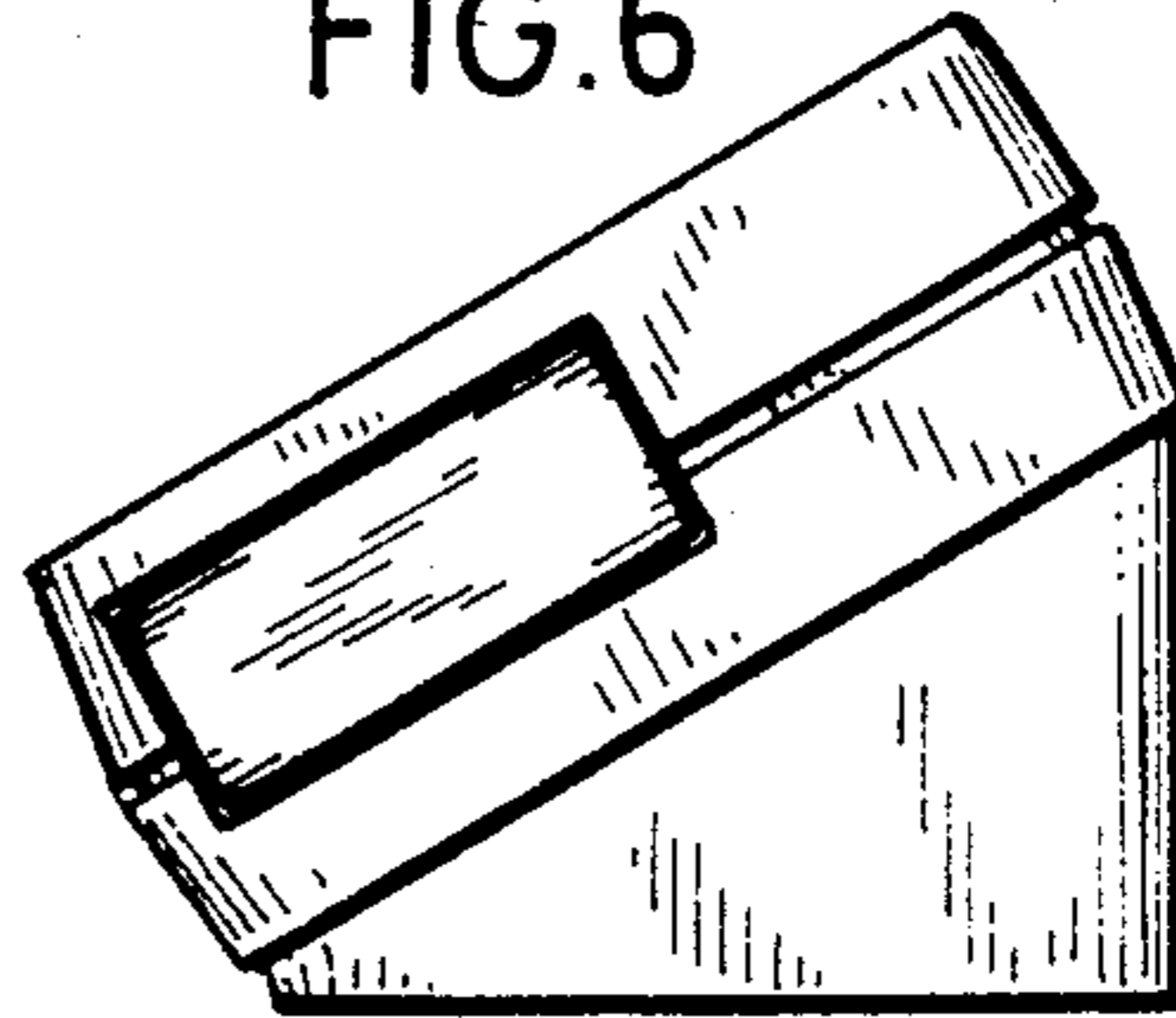


FIG. 7