

United States Patent [19]

Crawford et al.

[11] Patent Number: **Des. 291,537**

[45] Date of Patent: **** Aug. 25, 1987**

[54] **CONTAINER CLOSURE**

[75] Inventors: **John C. Crawford**, Lake Mahopac;
Neal V. Weissman, New York, both
of N.Y.

[73] Assignee: **Colgate-Palmolive Company**, New
York, N.Y.

[**] Term: **14 Years**

[21] Appl. No.: **690,426**

[22] Filed: **Jan. 10, 1985**

[52] U.S. Cl. **D9/440; D9/447;**
D9/449

[58] Field of Search **D9/434-499;**
222/480, 565

[56] **References Cited**

U.S. PATENT DOCUMENTS

D. 211,008 5/1968 Bell et al. D9/450
D. 224,092 7/1972 Steidley D9/448
1,861,602 6/1932 Koze 222/565 X

2,618,413 11/1952 Brooks 222/480
3,144,180 8/1964 Phillipps et al. D9/450 X
3,303,971 2/1967 Stevens, Jr. 222/480 X
3,322,308 5/1967 Foster D9/450 X
4,254,889 3/1981 Jacobs D9/440 X

Primary Examiner—Bernard Ansher

Assistant Examiner—Linda Titolo

Attorney, Agent, or Firm—Herbert S. Sylvester; Murray
M. Grill; John A. Stemwedel

[57] **CLAIM**

The ornamental design for a container closure, as
shown and described.

DESCRIPTION

FIG. 1 is a top front perspective view of a container
closure, showing our new design;

FIG. 2 is a top rear perspective view thereof;

FIG. 3 is a top front perspective view thereof, in a
closed position;

FIG. 4 is a top rear perspective view thereof;

FIG. 5 is a top plan view thereof; and

FIG. 6 is a bottom plan view thereof.

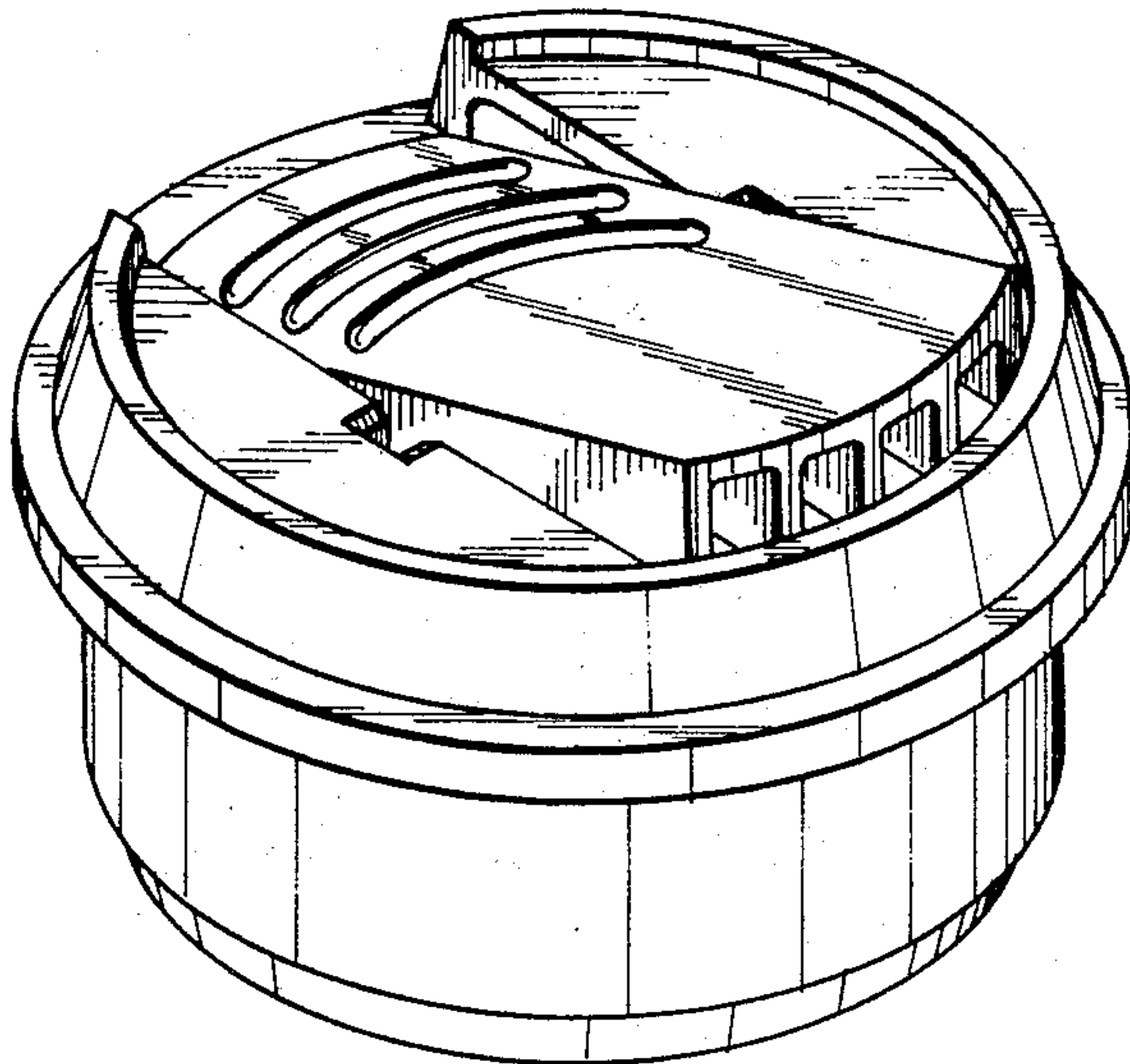


FIG. 1

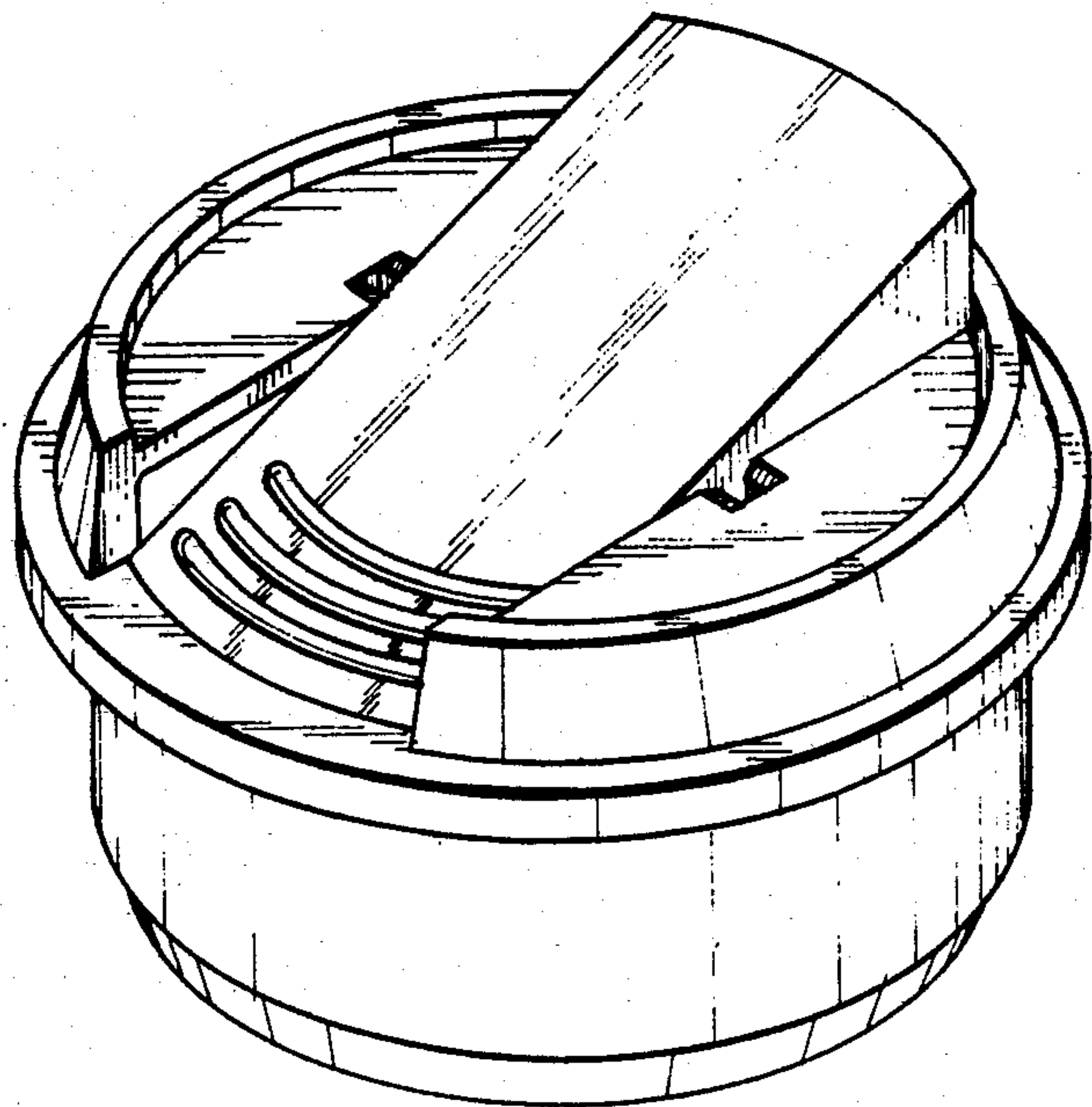
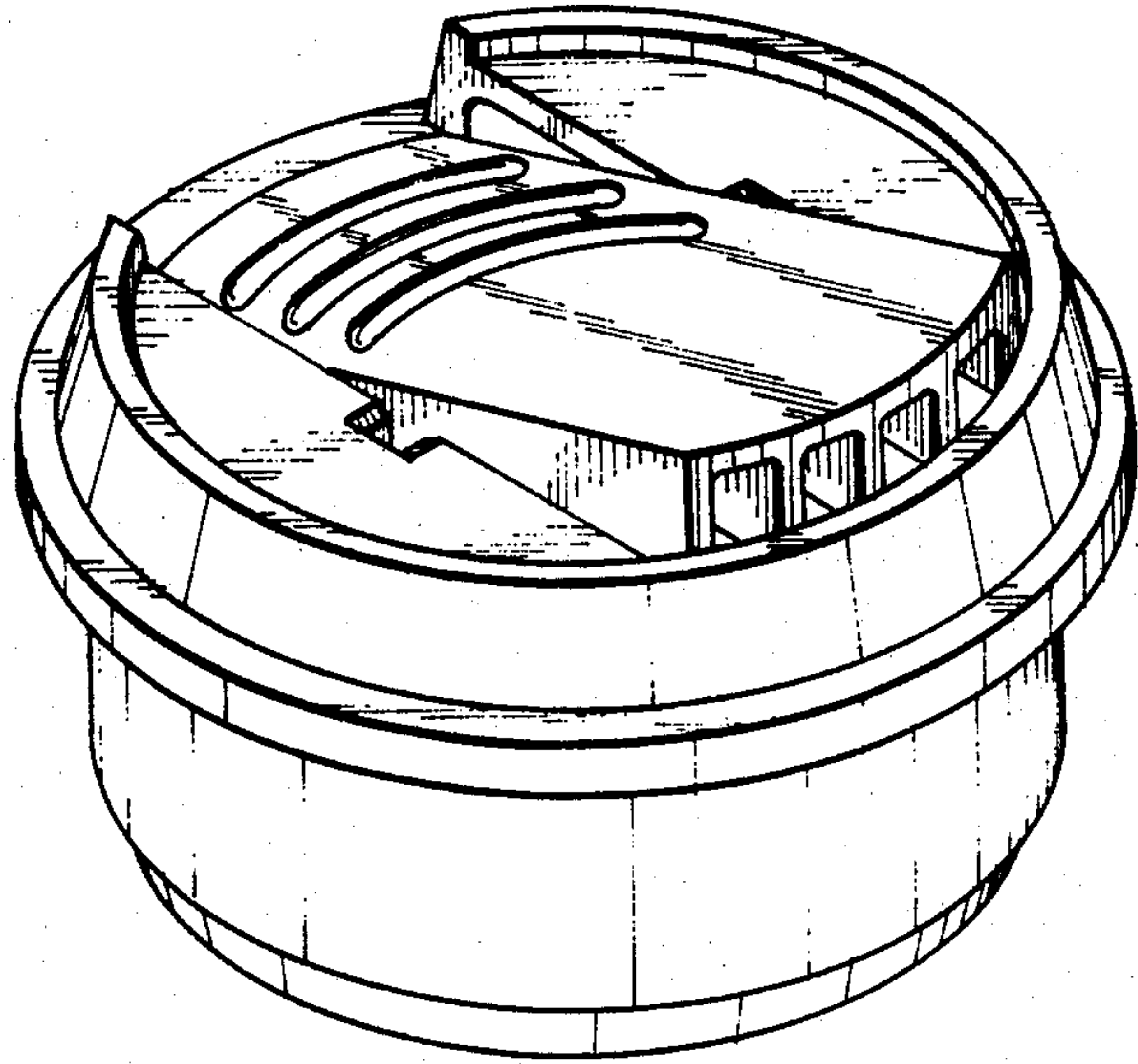


FIG. 2

FIG. 3

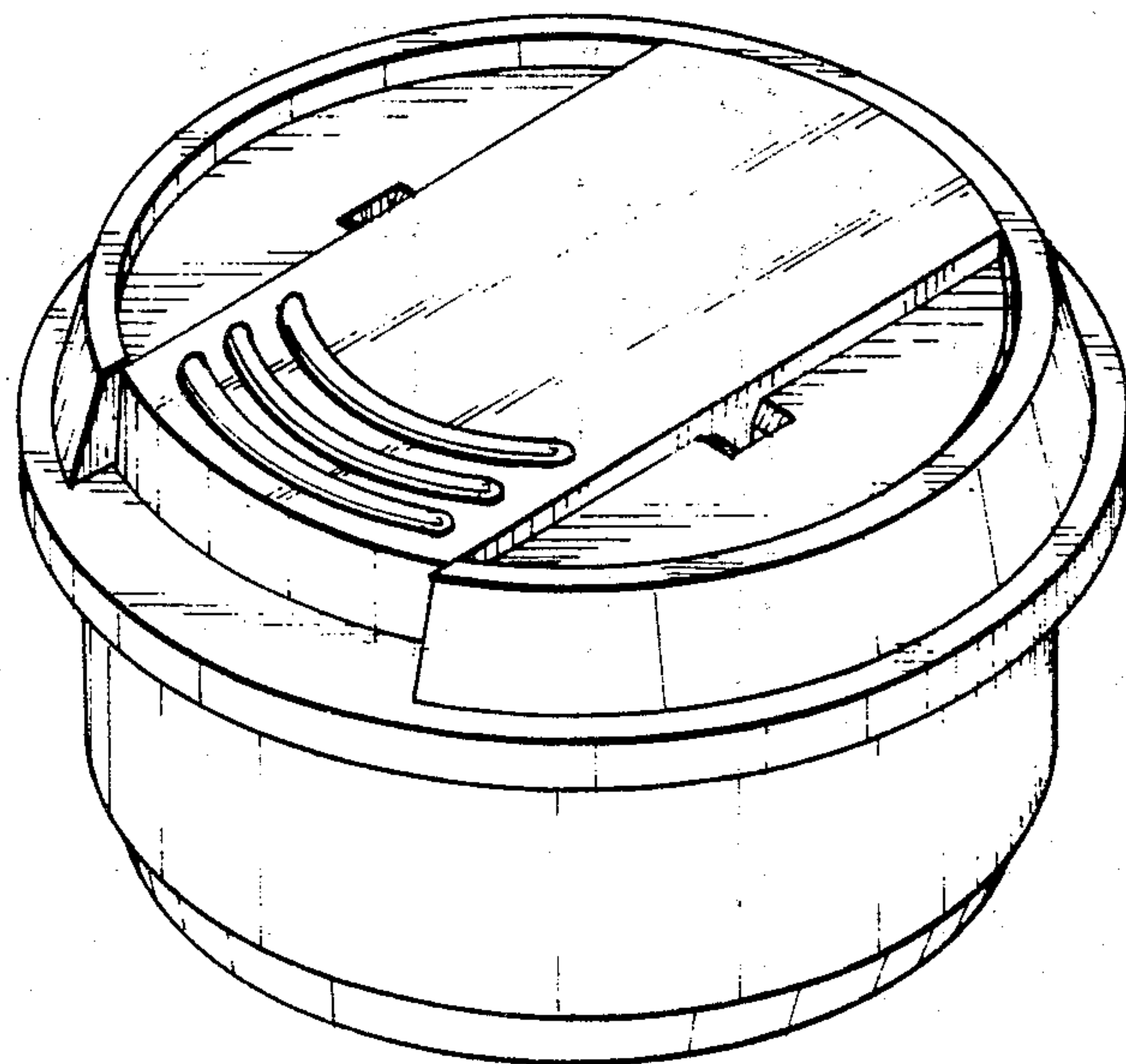
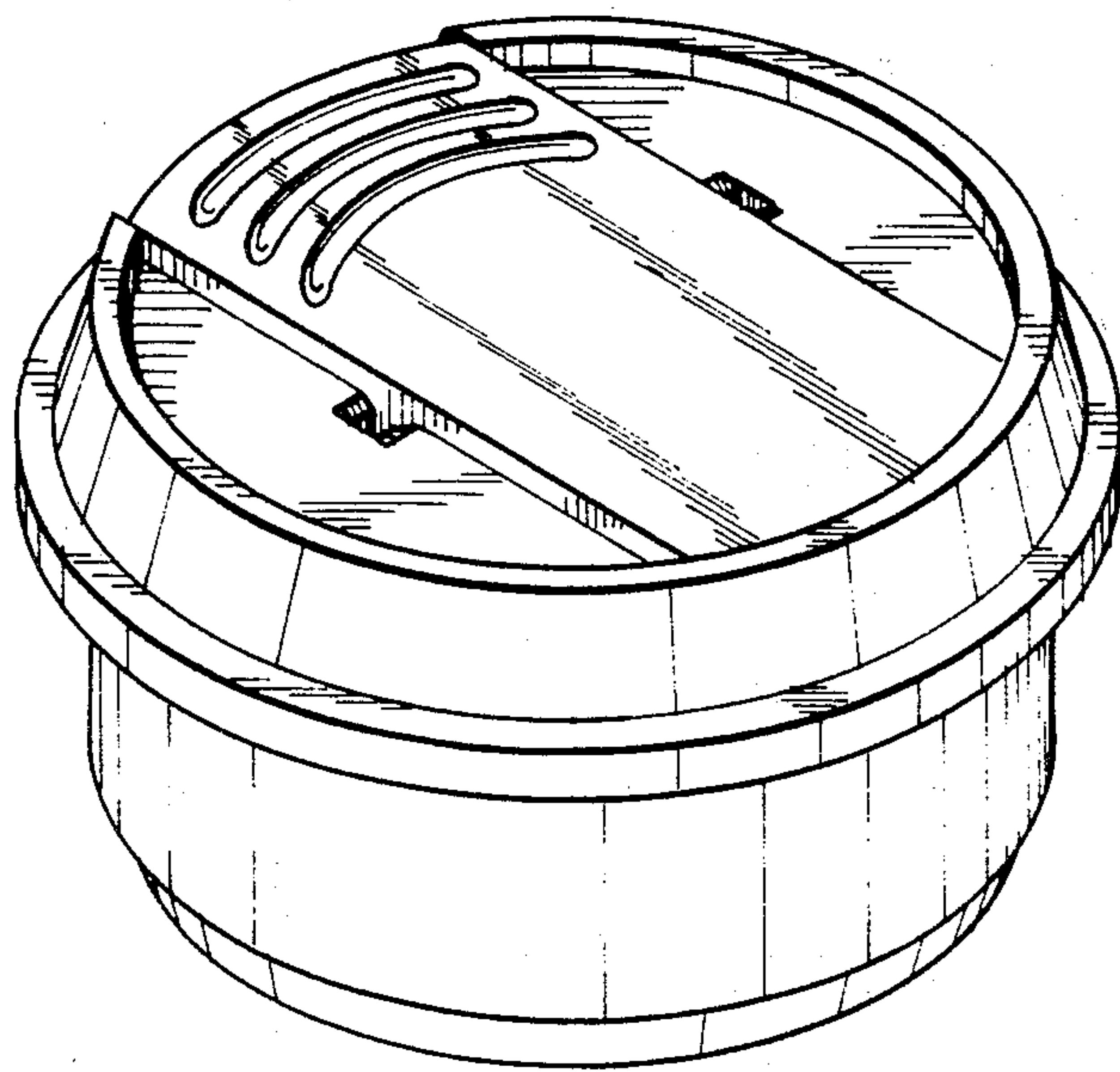


FIG. 4

FIG. 5

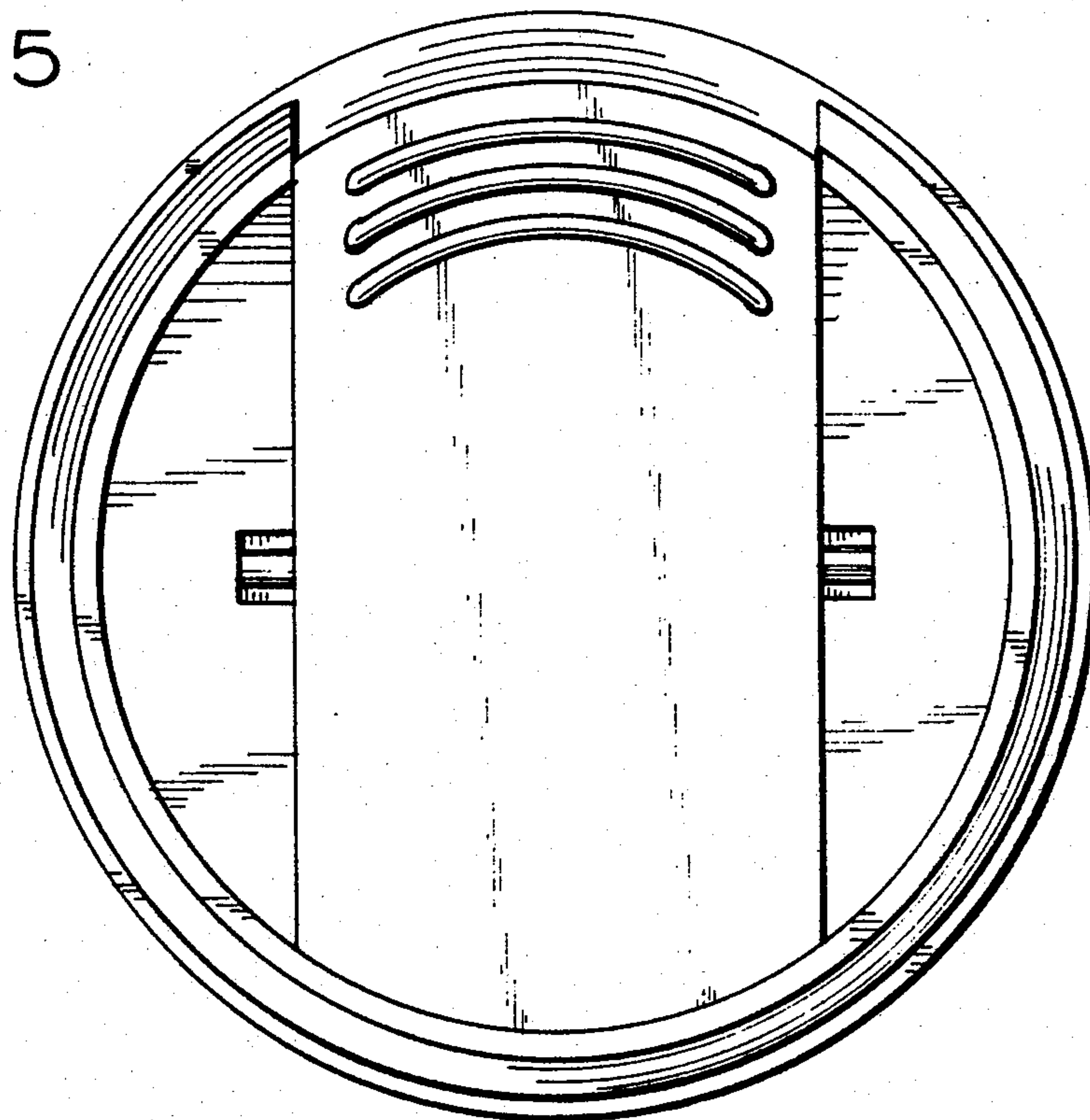


FIG. 6

