

- [54] ROTATING DISPENSER TOP
- [75] Inventors: John C. Crawford, Lake Mahopac, N.Y.; Steven A. Vogel, Clifton, N.J.
- [73] Assignee: Colgate-Palmolive Company, New York, N.Y.
- [**] Term: 14 Years
- [21] Appl. No.: 690,425
- [22] Filed: Jan. 10, 1985
- [52] U.S. Cl. D9/440; D9/447; D9/449; D9/450
- [58] Field of Search D9/434-499; 222/480-565

3,239,111	3/1966	LaCroce	222/480
3,332,586	7/1967	Amburgey	222/480
4,120,432	10/1978	Fuchs	222/565
4,274,563	6/1981	Otterson	222/480

Primary Examiner—Bernard Ansher
 Assistant Examiner—Linda Titolo
 Attorney, Agent, or Firm—Herbert S. Sylvester; Murray M. Grill; John A. Stemwedel

[57] CLAIM

The ornamental design for a rotating dispenser top, as shown and described.

DESCRIPTION

FIG. 1 is a top perspective view of a rotating dispenser top, showing our new design, with the top member rotated to the dispensing holes position;
 FIG. 2 is a top perspective view thereof, with the top member rotated to a closed position;
 FIG. 3 is a top perspective view thereof, with the top member rotated to a fully open dispensing position;
 FIG. 4 is a top plan view thereof; and
 FIG. 5 is a bottom plan view thereof.

- [56] References Cited
- U.S. PATENT DOCUMENTS
- 131,744 10/1872 Cooley 222/480
- D. 206,915 2/1967 Amburgey D9/449
- D. 268,650 4/1983 Kirstine D9/450
- 2,029,219 1/1936 Bourland 222/480

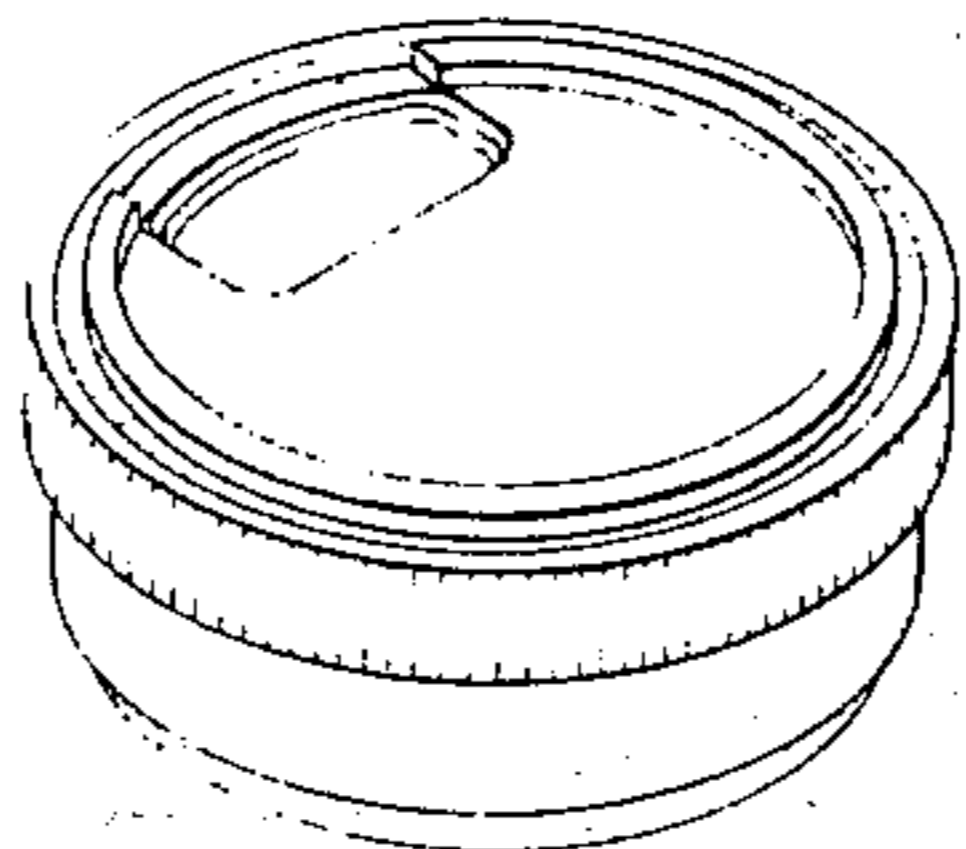
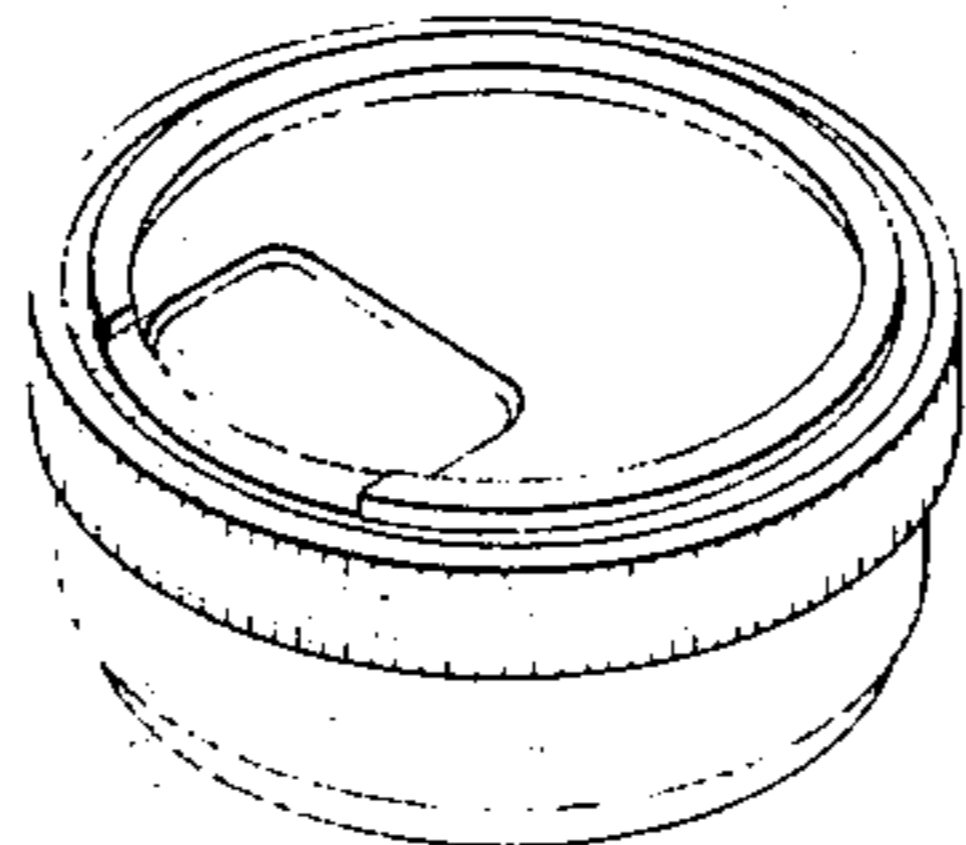
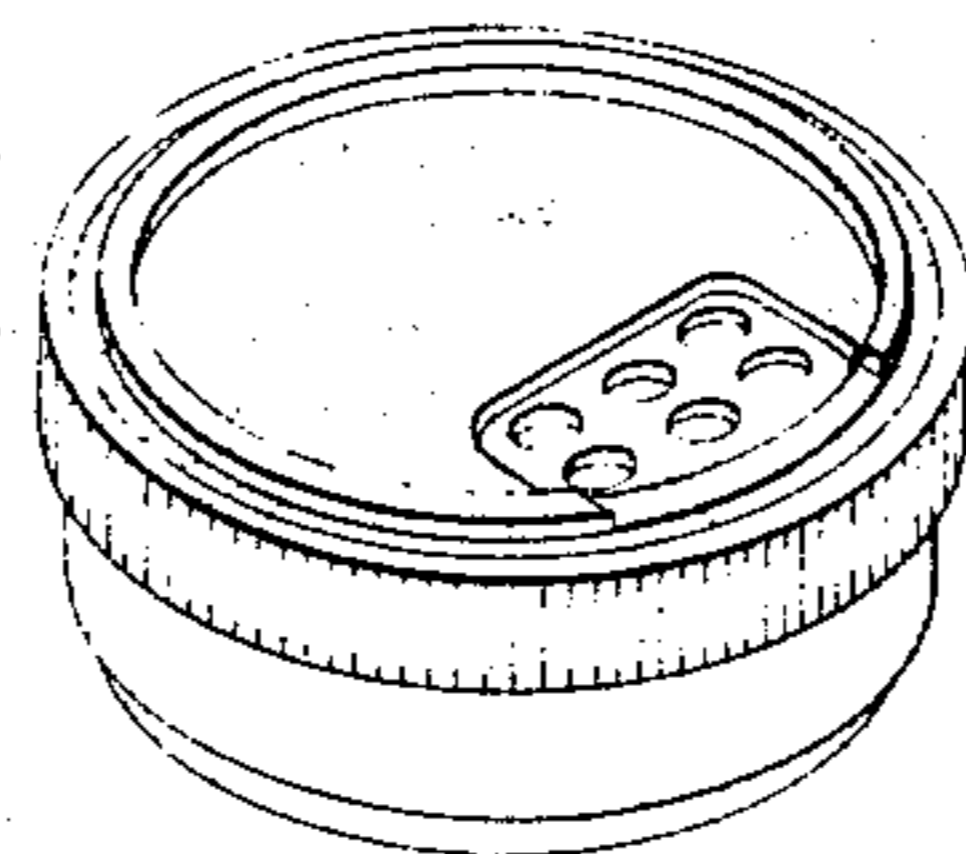


FIG. 1

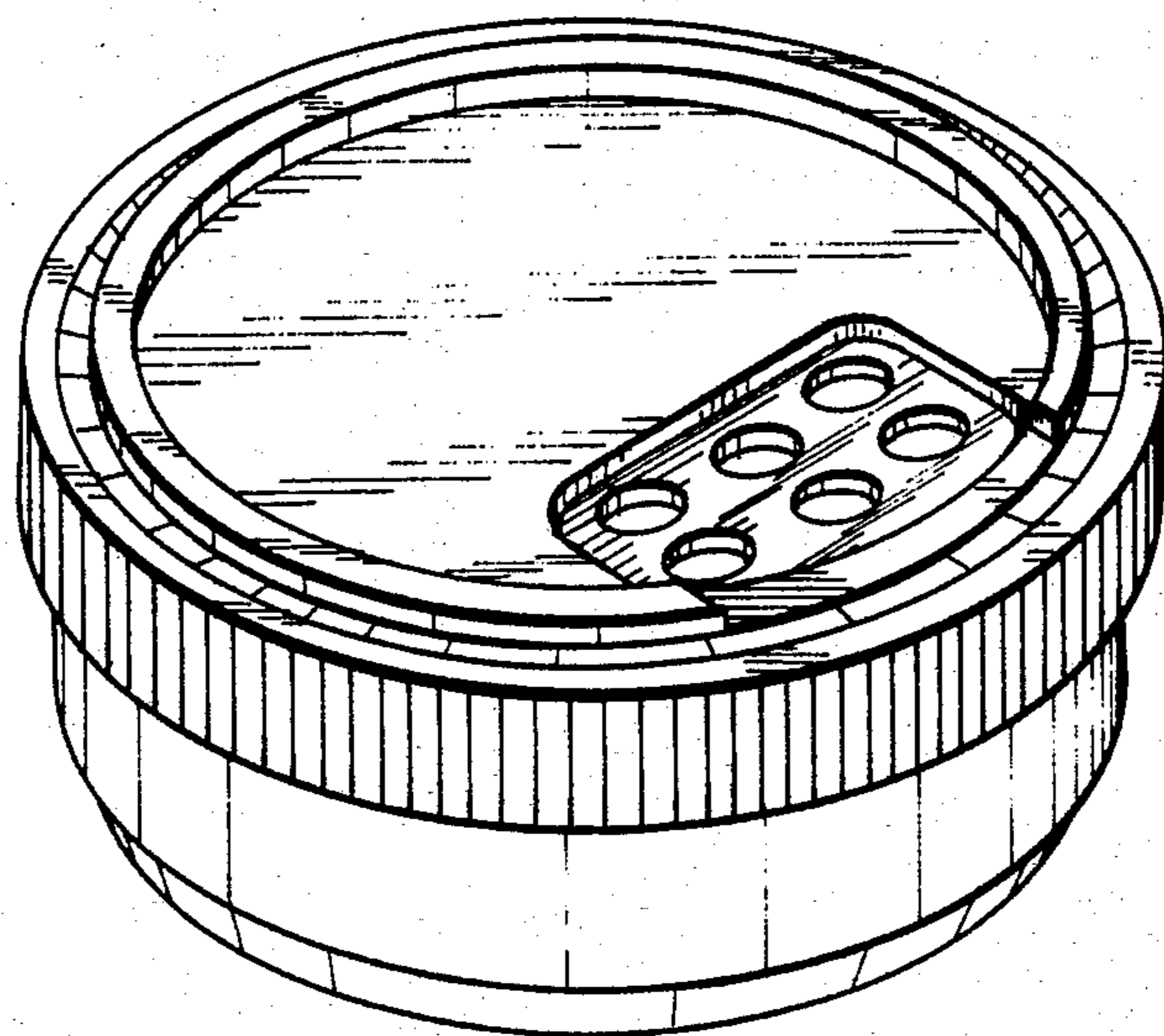


FIG. 2

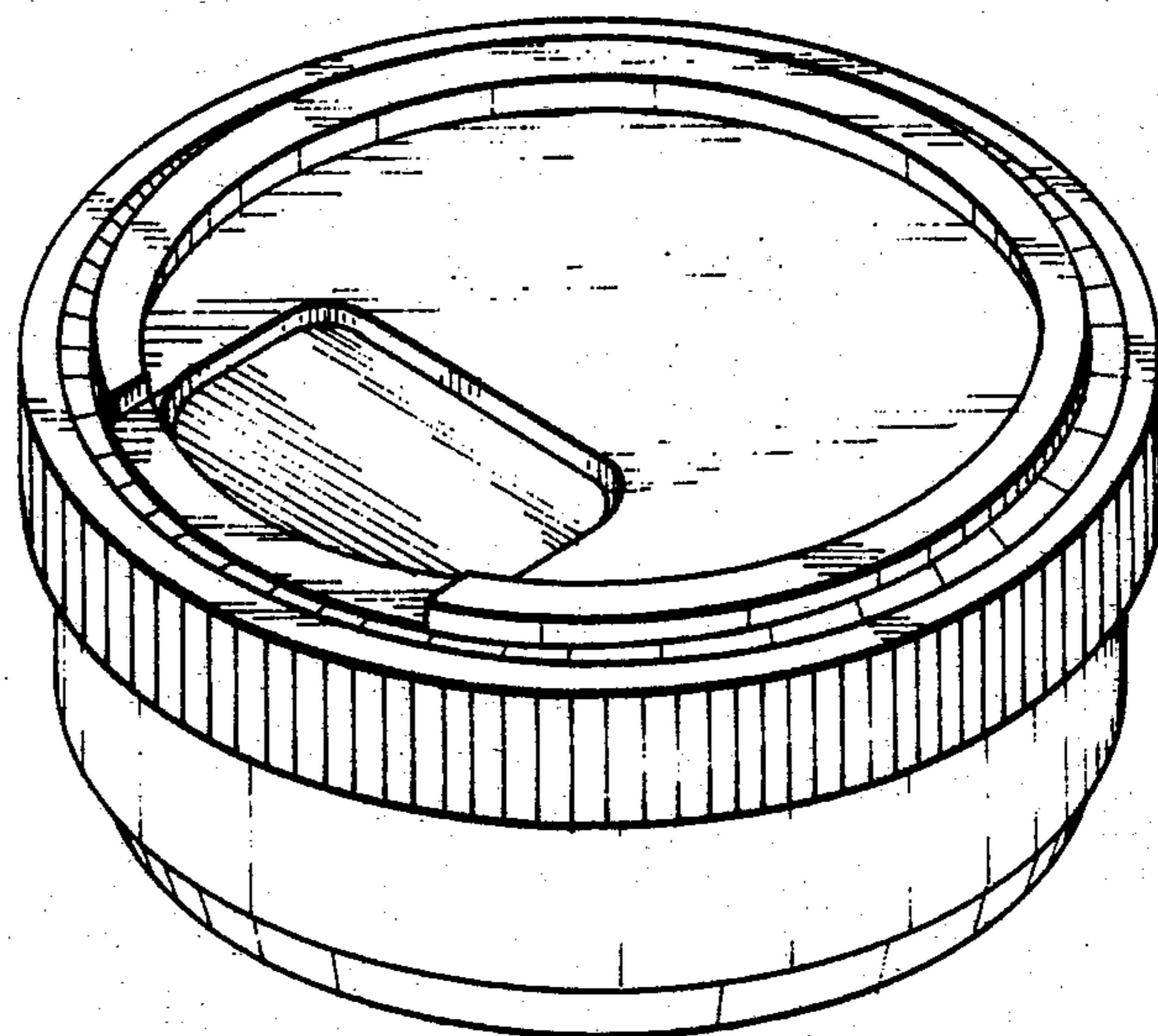


FIG. 3

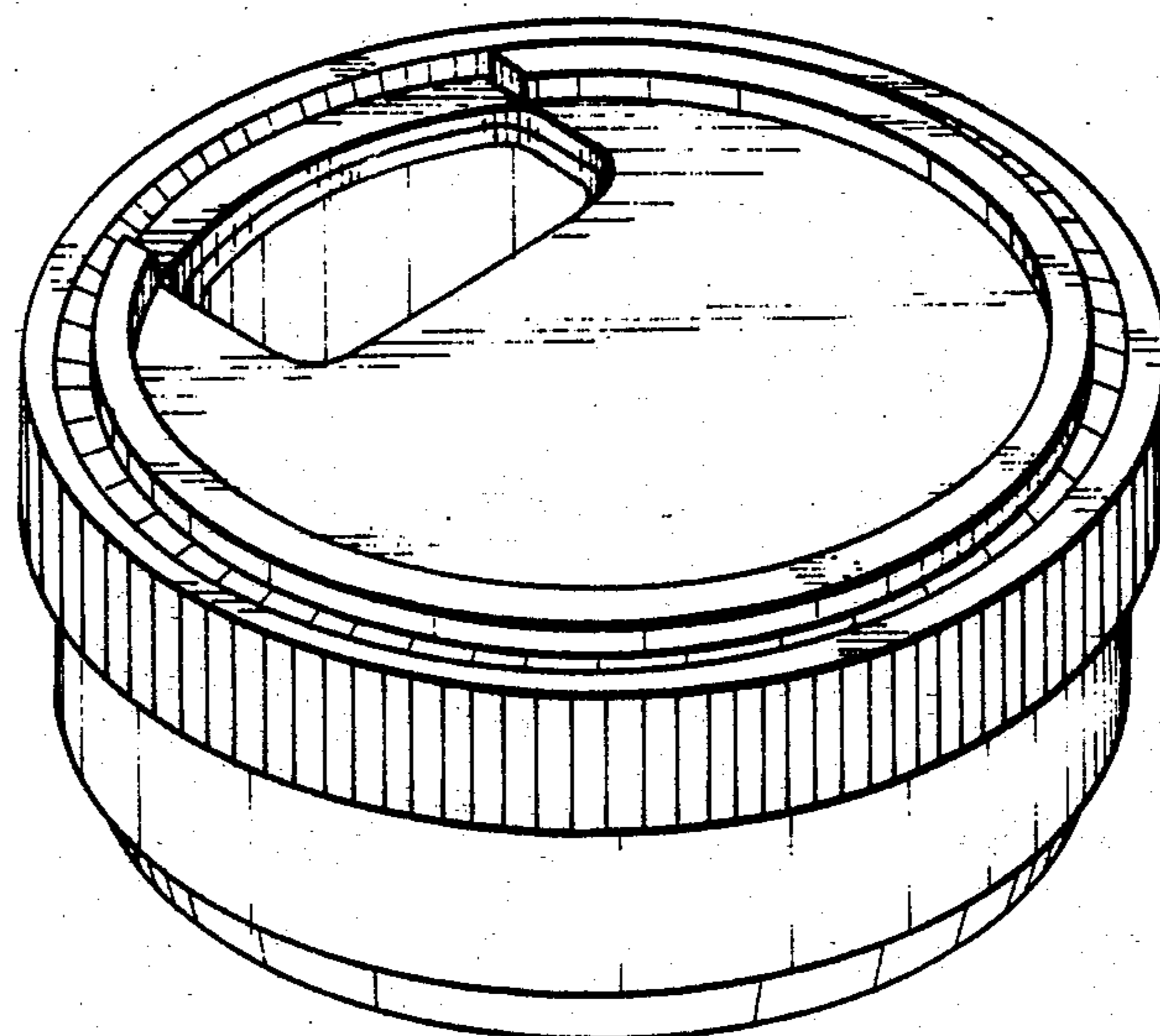


FIG. 4

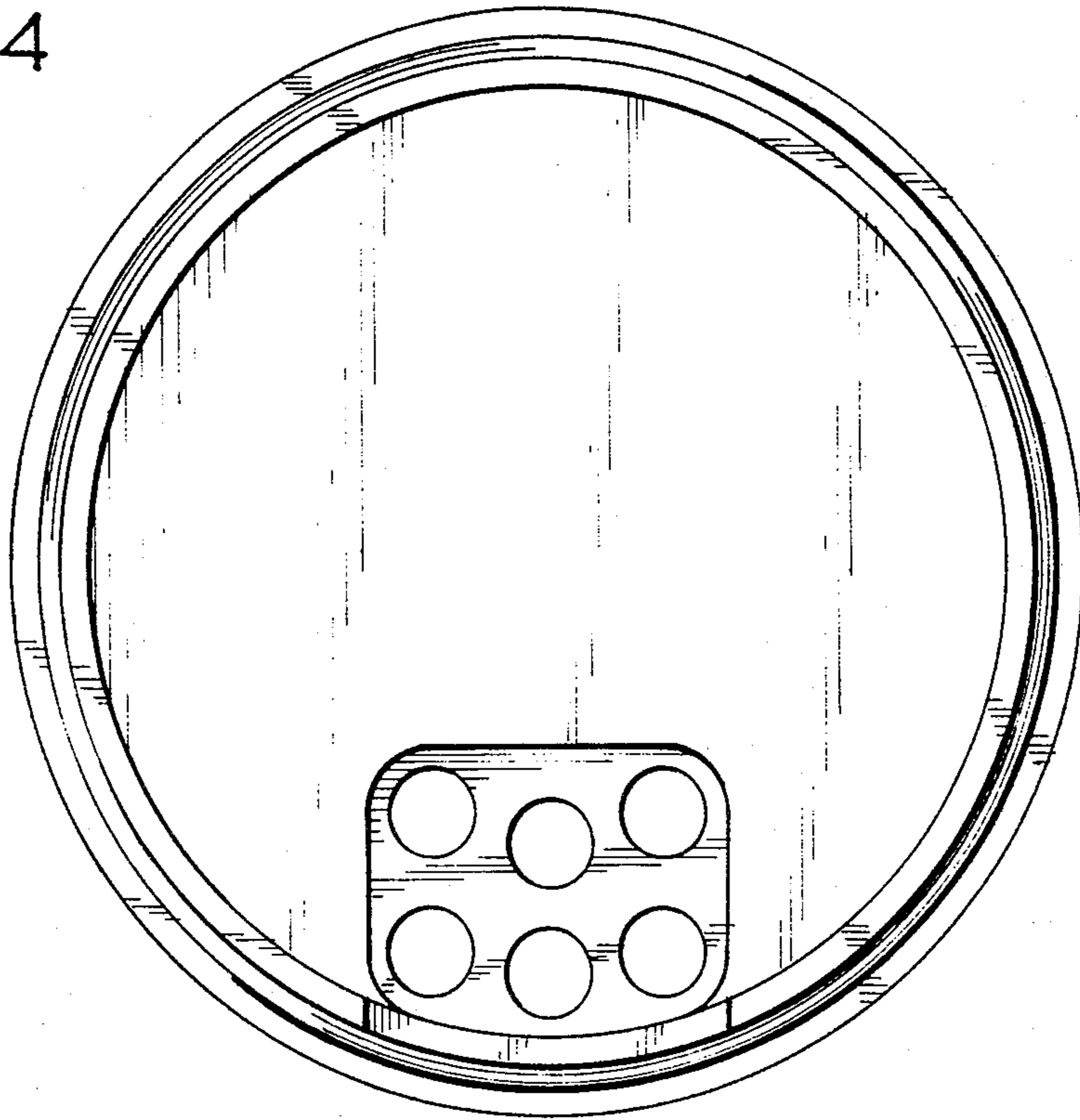


FIG. 5

