

[54] PORTABLE HAND-DRILL GUIDE

[75] Inventor: Klemens Degen, Weibern, Fed. Rep. of Germany

[73] Assignee: Werkzeug GmbH, Weibern, Fed. Rep. of Germany

[\*\*] Term: 14 Years

[21] Appl. No.: 629,049

[22] Filed: Jul. 9, 1984

[30] Foreign Application Priority Data

Feb. 16, 1984 [DE] Fed. Rep. of Germany ... 5 MR 249

[52] U.S. Cl. .... D8/71

[58] Field of Search ..... D8/70-74; D15/140; 408/112, 202, 712

[56] References Cited

U.S. PATENT DOCUMENTS

D. 240,703	7/1976	Russell	.....	D8/71
D. 274,033	5/1984	Miller	.....	D8/71
1,590,643	6/1926	Neuwelt	.....	408/112
2,360,942	10/1944	Ellerstein	.....	408/112

2,849,900	9/1958	Heidtman, Jr.	.....	D8/70 X
2,997,900	8/1961	Pugsley	.....	408/112
3,534,639	10/1970	Treichler	.....	408/112
3,874,810	4/1975	Russell	.....	D8/70 X
3,890,058	6/1975	Self et al.	.....	D8/71 X
4,349,301	9/1982	Boyajian	.....	408/112
4,391,558	7/1983	Perry	.....	408/712
4,572,715	2/1986	Wolff	.....	408/112

FOREIGN PATENT DOCUMENTS

0604995	9/1978	Switzerland	.....	408/112
---------	--------	-------------	-------	---------

Primary Examiner—Susan J. Lucas  
Assistant Examiner—C. E. Heflin  
Attorney, Agent, or Firm—Antonelli, Terry & Wands

[57] CLAIM

The ornamental design for a portable hand-drill guide, as shown.

DESCRIPTION

FIG. 1 is a front perspective view of the portable hand-drill guide showing my new design; FIG. 2 is a rear perspective view thereof; FIG. 3 is a top plan view thereof; and FIG. 4 is a bottom plan view thereof.

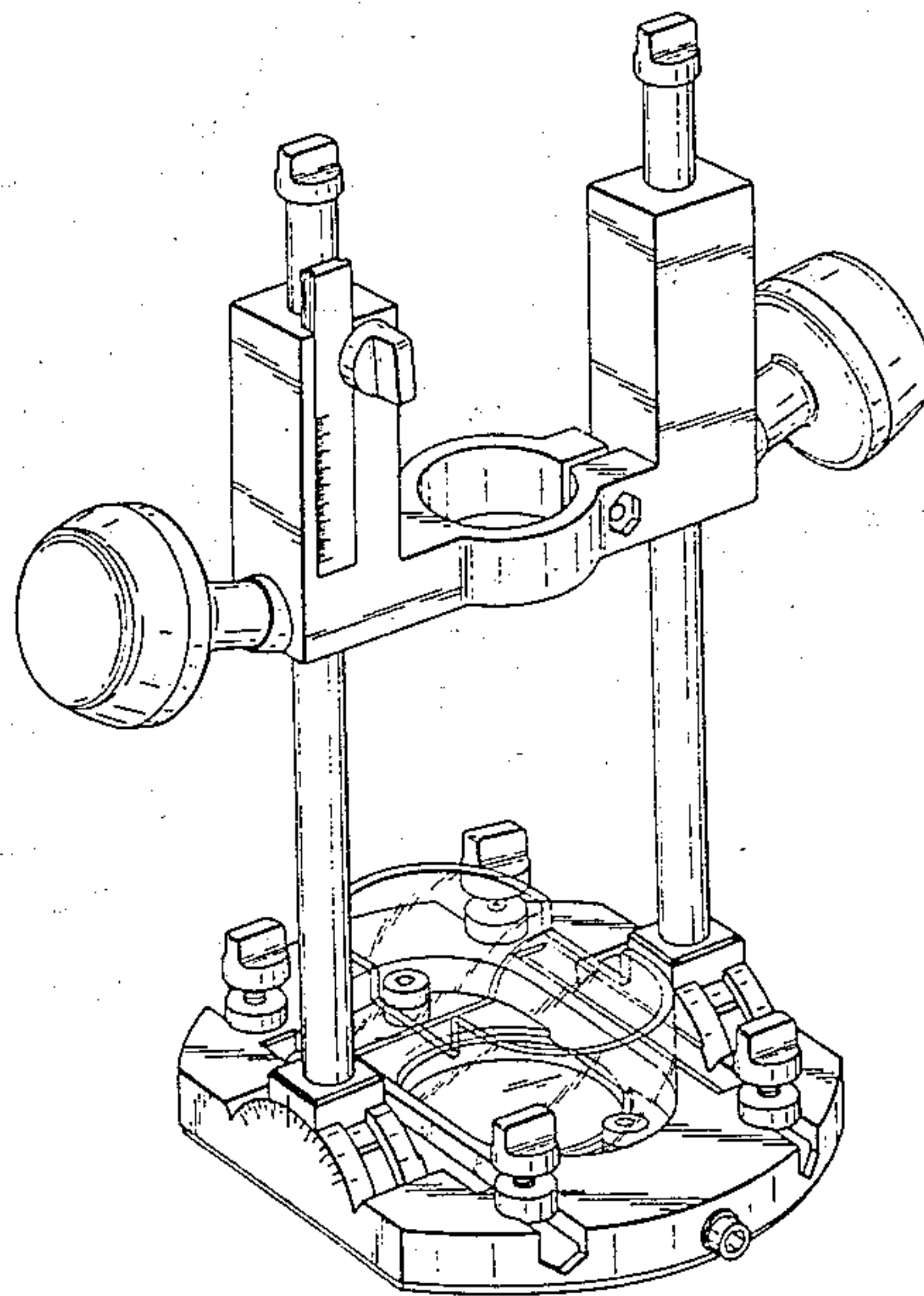


FIG. 1.

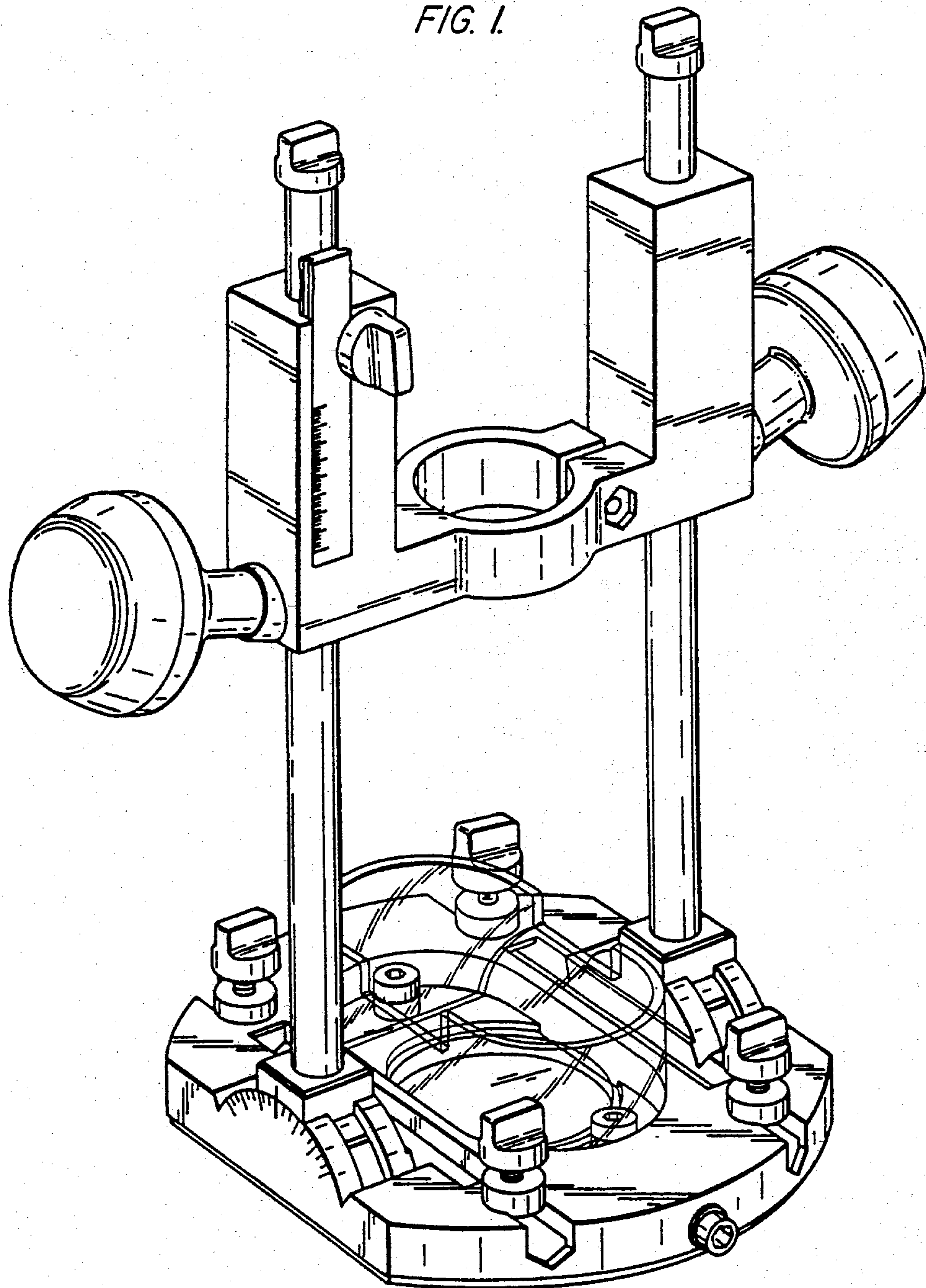


FIG. 2.

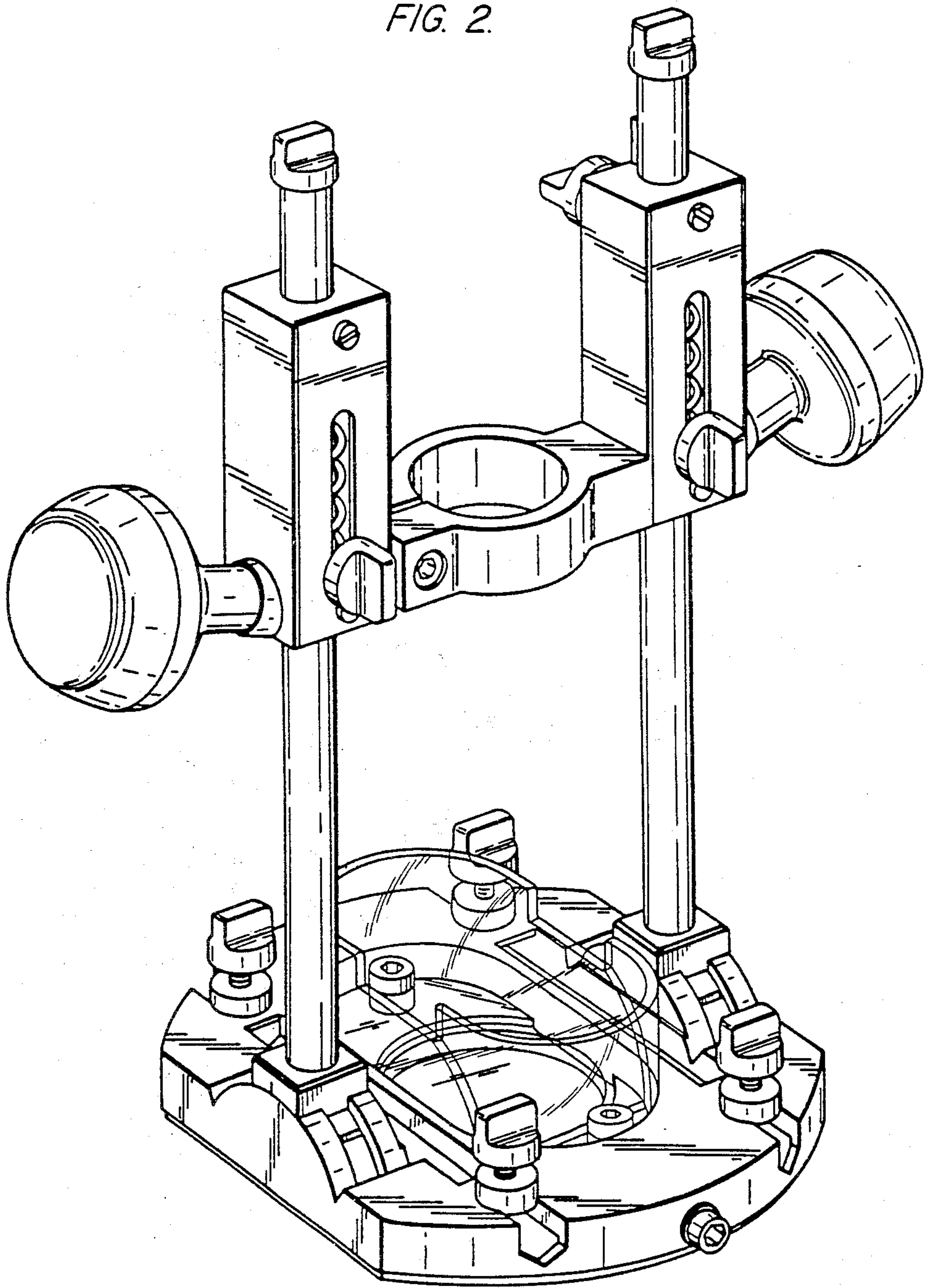




FIG. 3.

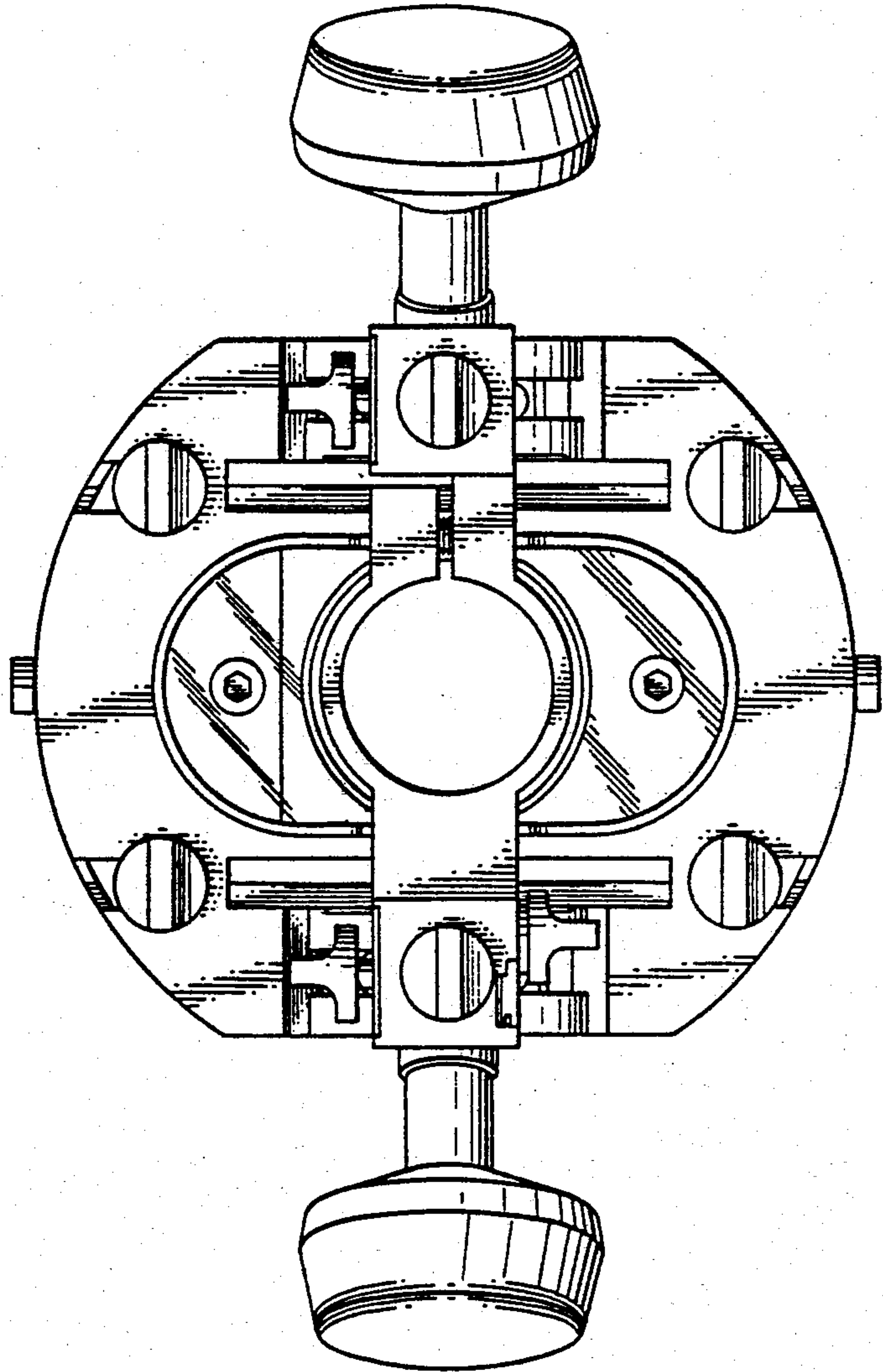


FIG. 4.

