

[54] ELECTRICALLY HEATED SNACK TRAY

[75] Inventor: Rex L. Notbohm, Columbia, Mo.

[73] Assignee: Toastmaster Inc., Columbia, Mo.

[\*\*] Term: 14 Years

[21] Appl. No.: 696,174

[22] Filed: Jan. 29, 1985

[52] U.S. Cl. .... D7/363; D7/3; D7/21; D7/360; D7/367

[58] Field of Search ..... D7/37, 38, 21, 3, 363, D7/366, 367, 357, 355, 356, 360; 206/557

[56] References Cited

U.S. PATENT DOCUMENTS

- 197,624 11/1877 Gerard ..... D7/360 X
- D. 199,859 12/1964 Daher ..... D7/363
- D. 216,435 1/1970 Swett et al. .... D7/21

- D. 229,882 1/1974 Lloveras ..... D7/360
- D. 254,115 2/1980 McDonald ..... D7/21 X
- D. 266,731 11/1982 Downey ..... D7/363

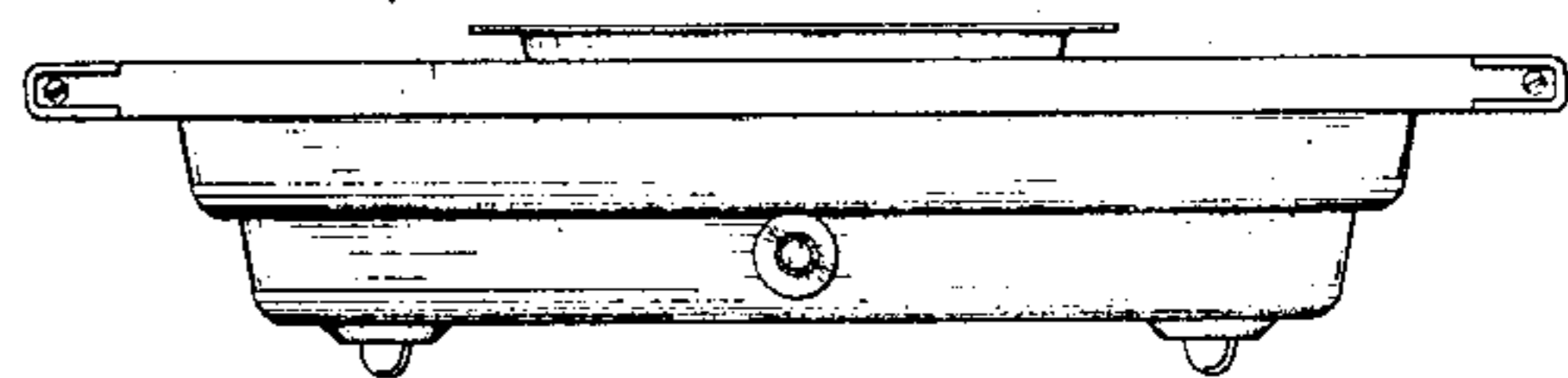
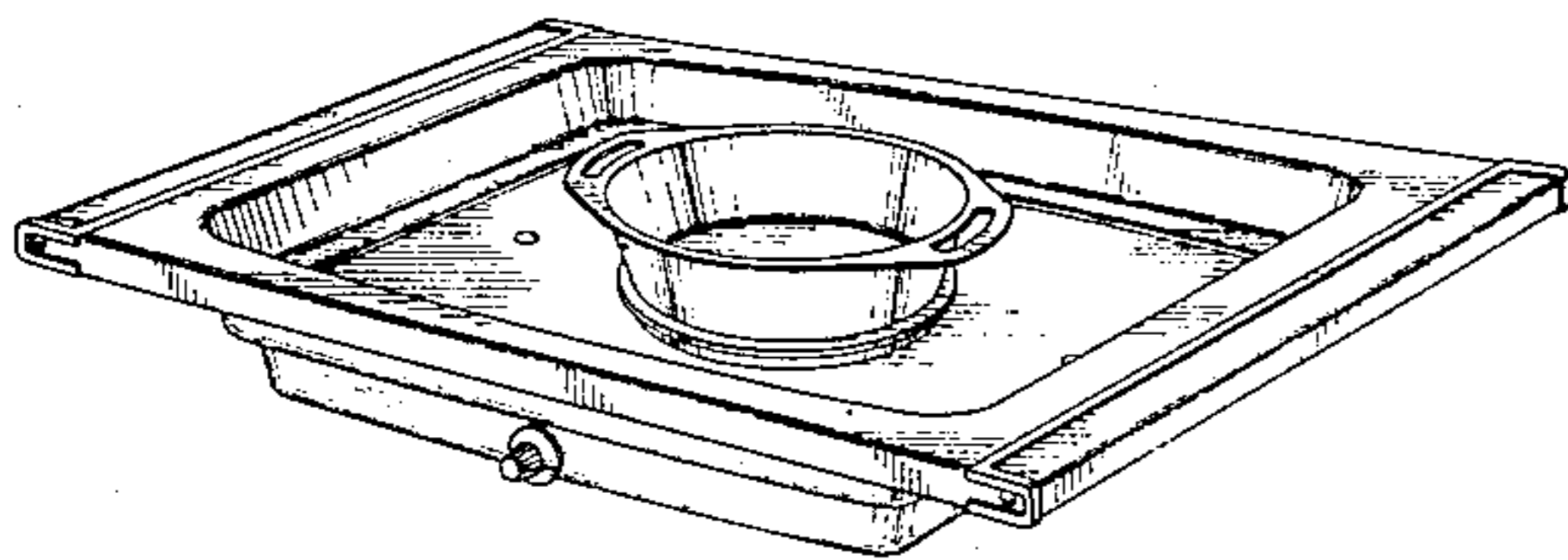
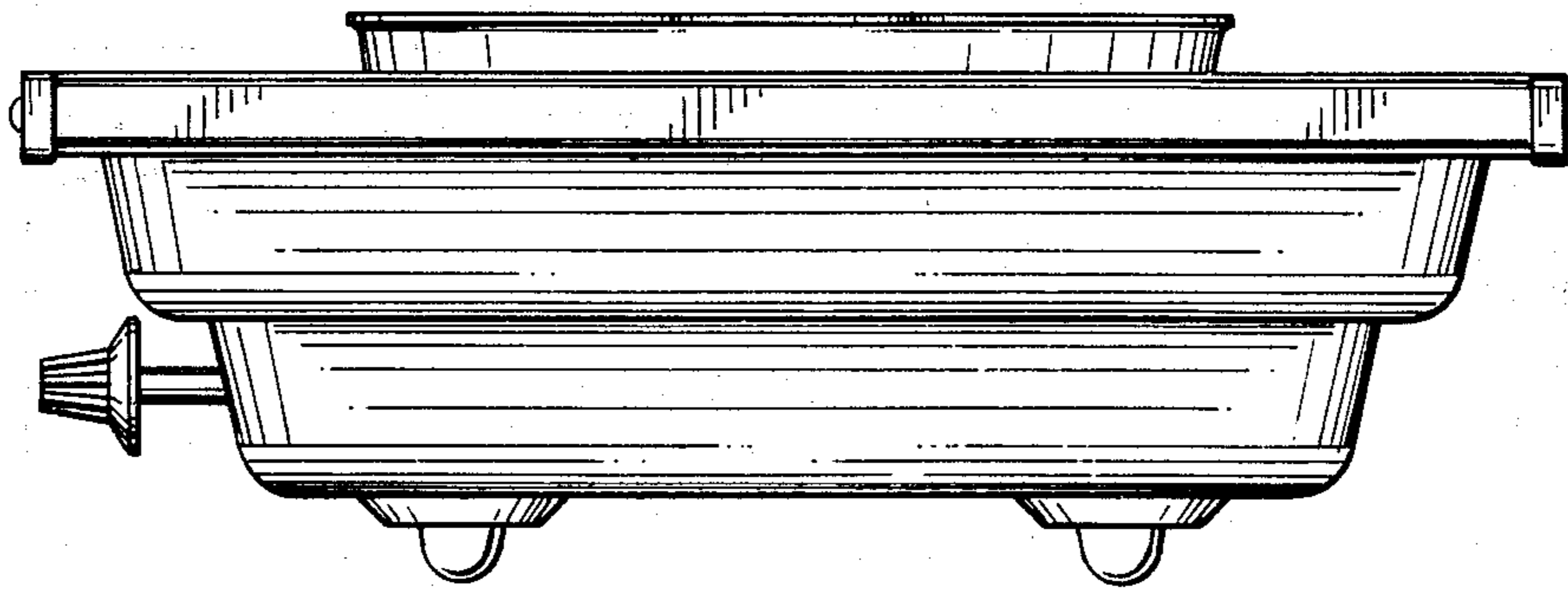
Primary Examiner—Winifred E. Herrmann  
Attorney, Agent, or Firm—Kokjer, Kircher, Bradley, Wharton, Bowman & Johnson

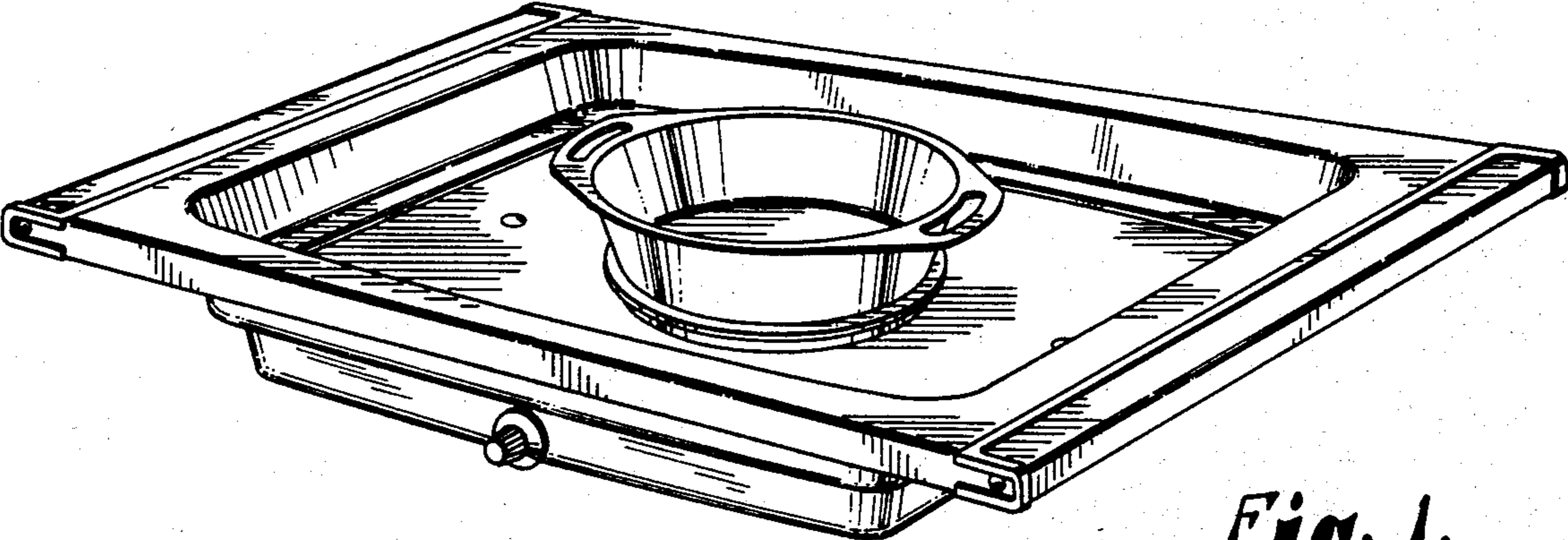
[57] CLAIM

The ornamental design for an electrically heated snack tray, as shown and described.

DESCRIPTION

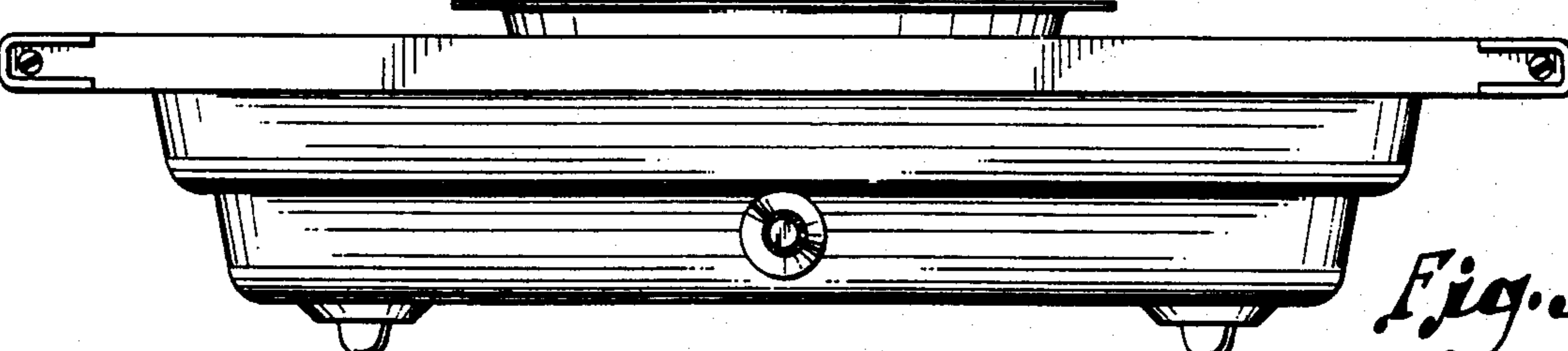
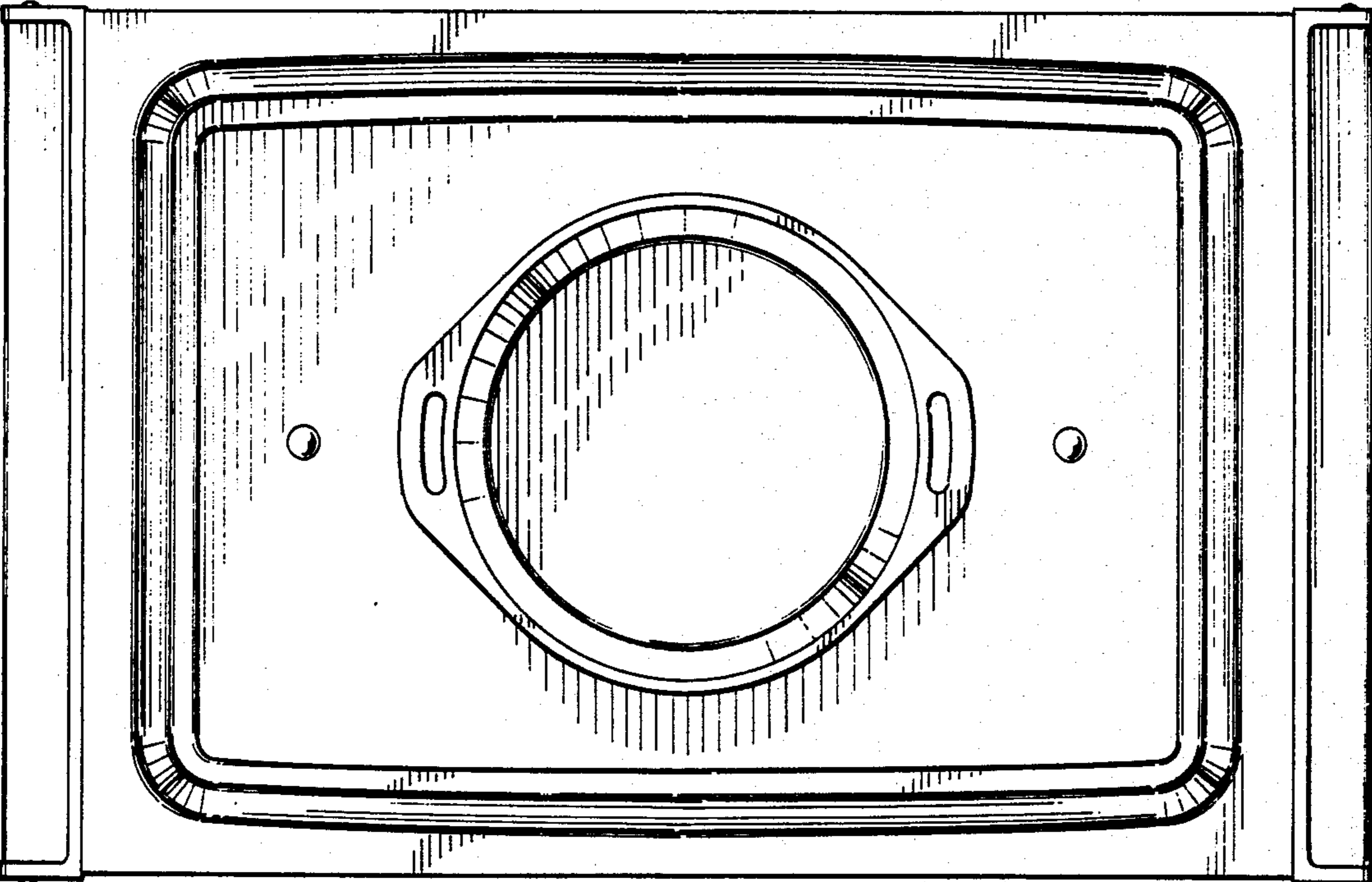
FIG. 1 is a perspective view of an electrically heated snack tray embodying my new design; FIG. 2 is a top plan view thereof; FIG. 3 is a front elevational view thereof; FIG. 4 is a right side elevational view thereof, the side opposite is similar to the side shown; FIG. 5 is a rear elevational view thereof; and FIG. 6 is a bottom plan view thereof.





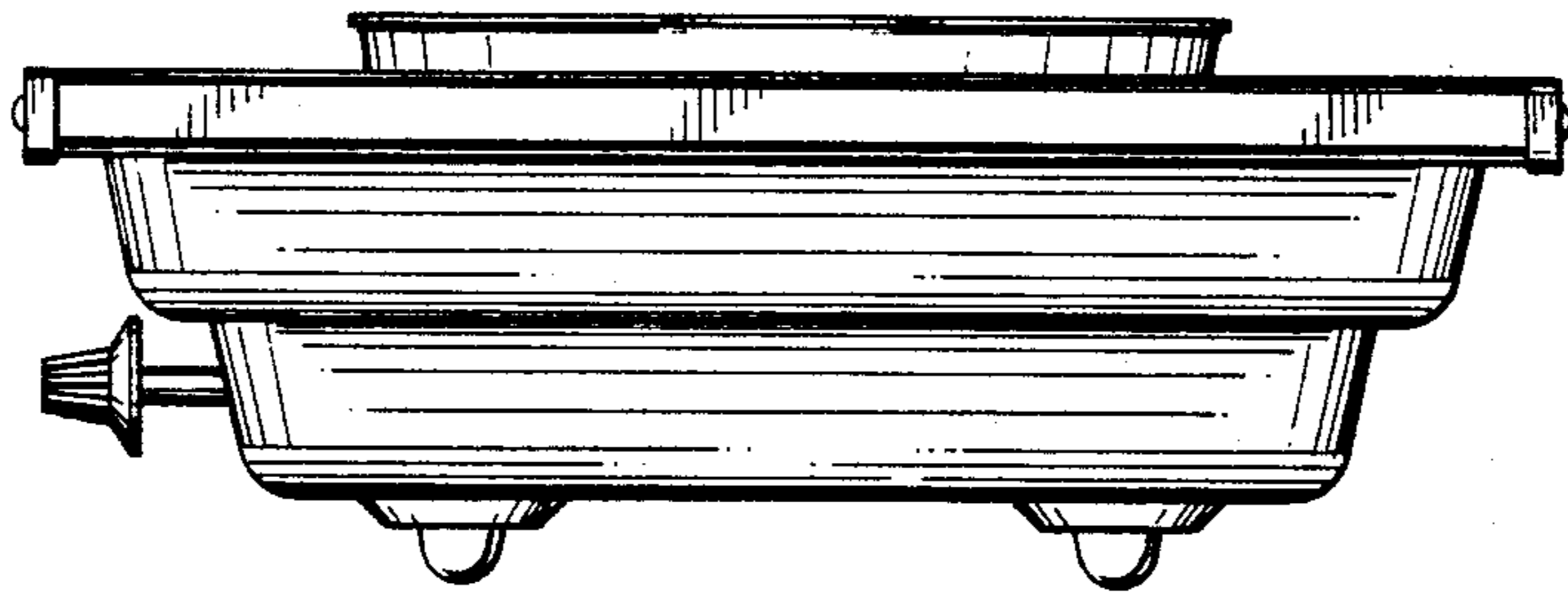
*Fig. 1.*

*Fig. 2.*

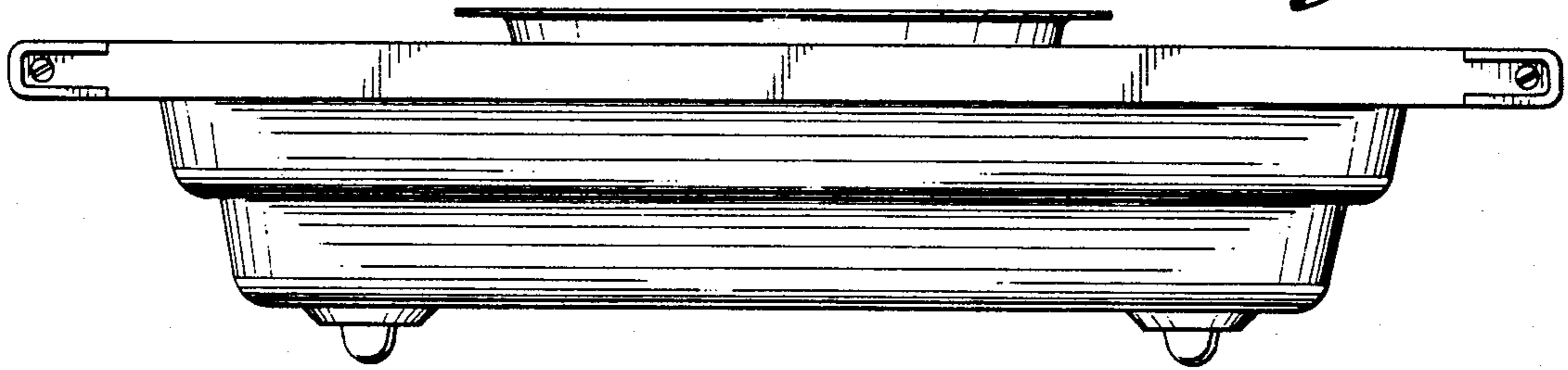


*Fig. 3.*

*Fig. 4.*



*Fig. 5.*



*Fig. 6.*

