

[54] STEAM TABLE PAN

[75] Inventors: Dennis J. Heaney, Sheboygan Falls; Wm. Bruce Reiter, Sheboygan, both of Wis.

[73] Assignee: The Vollrath Company, Sheboygan, Wis.

[\*\*] Term: 14 Years

[21] Appl. No.: 850,355

[22] Filed: Apr. 4, 1986

[52] U.S. Cl. .... D7/354

[58] Field of Search ..... D7/354, 355, 357, 360; D27/8; 220/72, 73, 74; 229/2.5 R, 2.5; 206/45.33

[56] References Cited

U.S. PATENT DOCUMENTS

D. 191,565	10/1961	Wolf et al. ....	D27/8
D. 202,964	11/1965	Benes .....	D27/8
D. 213,899	4/1969	Rickmeier, Jr. ....	D7/355
D. 230,072	1/1974	Chaudoir .....	D7/355
D. 243,056	1/1977	Andersson .....	229/2.5 R X
D. 282,520	2/1986	Schrage .....	D7/354 X
2,170,040	8/1939	Stuart .....	229/2.5
2,605,929	8/1952	Bloomfield .....	220/73
2,975,931	3/1961	Harrison .....	229/2.5 R X
3,397,068	8/1968	Schaefer et al. ....	229/2.5 X
3,420,431	1/1969	Donovan .....	229/2.5 R
3,558,002	1/1971	Lindgren .....	220/74
3,563,445	2/1971	Clayton .....	229/2.5 R
3,583,623	6/1971	Golner et al. ....	229/2.5 R
3,700,096	12/1972	Reifers .....	206/45.33
3,884,383	5/1975	Burch et al. ....	220/74 X
4,113,095	9/1978	Dietz et al. ....	220/72 X
4,183,435	1/1980	Thompson et al. ....	229/2.5 R X

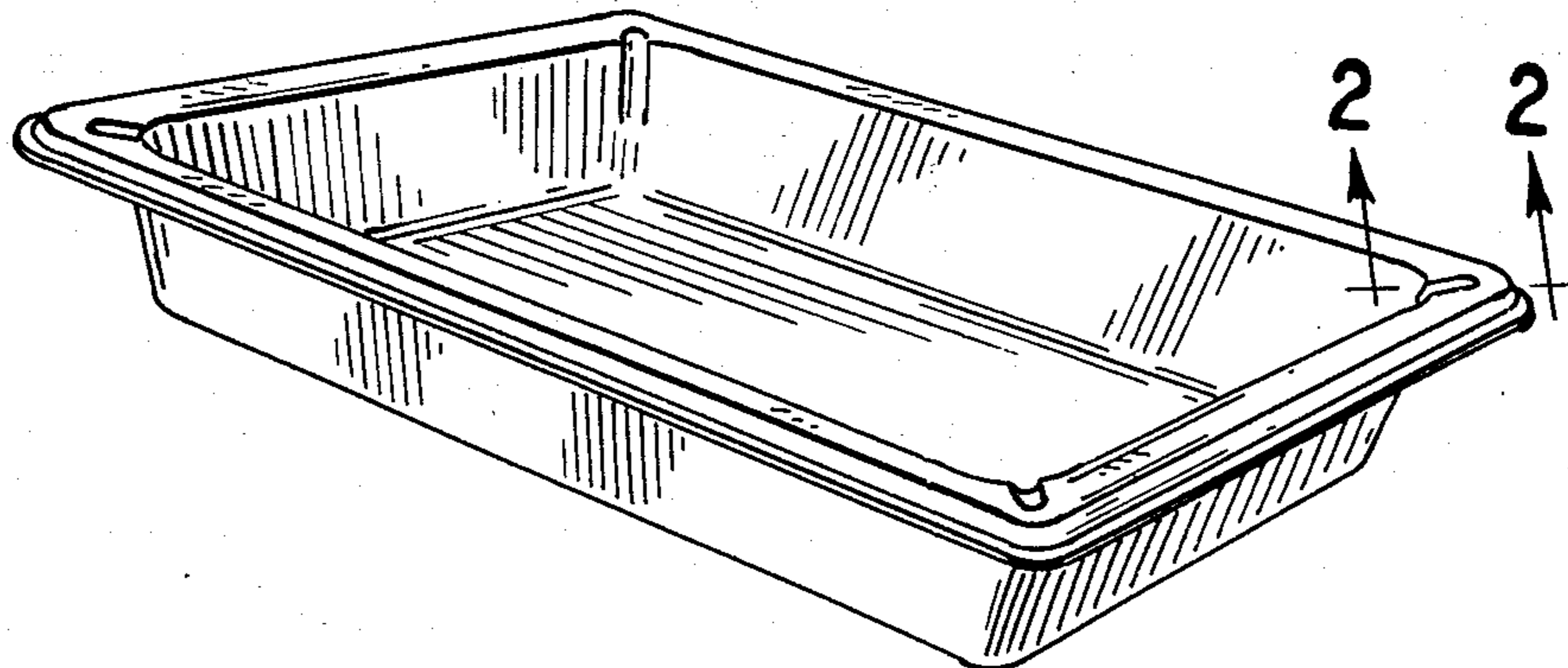
Primary Examiner—Bernard Ansher  
Assistant Examiner—Linda Titolo  
Attorney, Agent, or Firm—Dressler, Goldsmith, Shore, Sutker & Milnamow, Ltd.

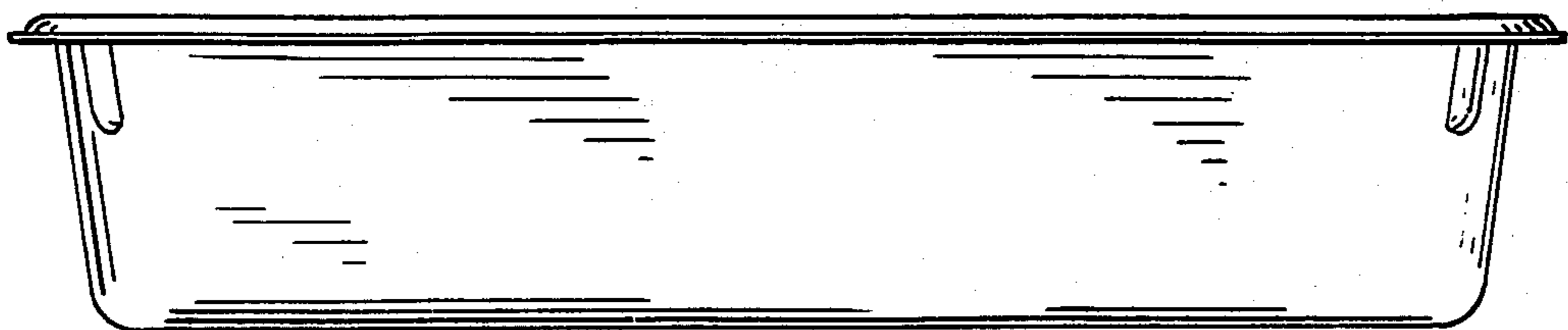
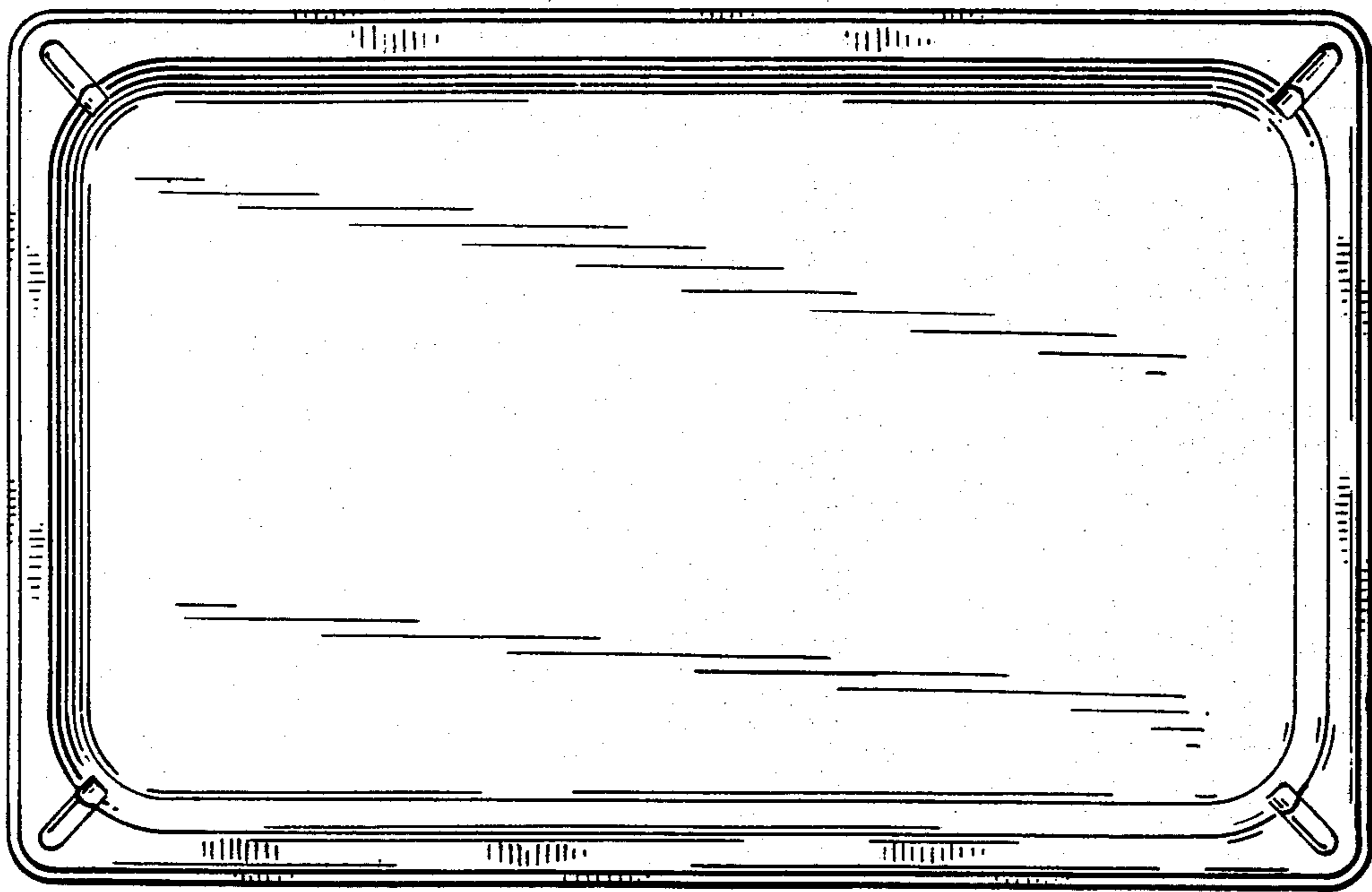
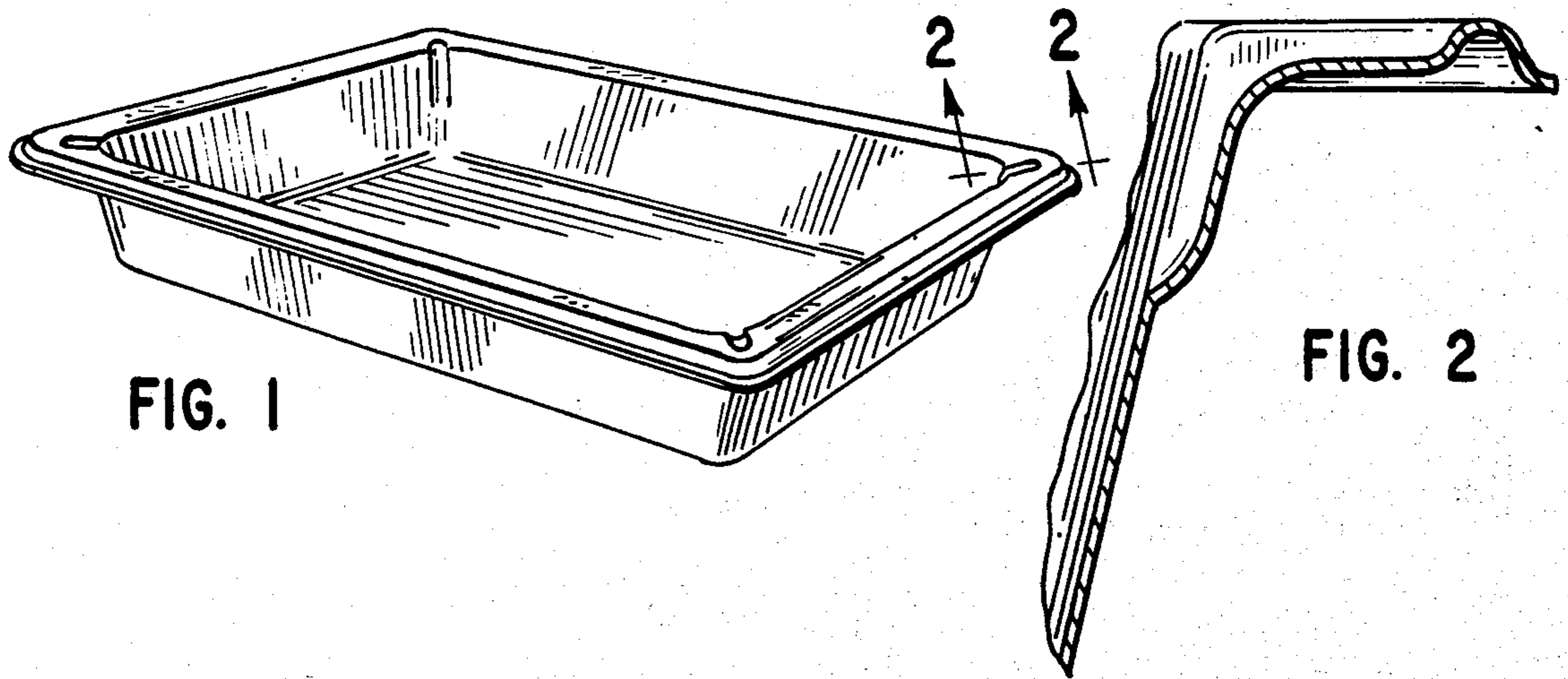
[57] CLAIM

The ornamental design for a steam table pan, substantially as shown and described.

DESCRIPTION

FIG. 1 is a top perspective view of a steam table pan, showing our new design;  
 FIG. 2 is an enlarged fragmentary, cross-sectional view thereof, taken on line 2—2 of FIG. 1;  
 FIG. 3 is a top plan view thereof;  
 FIG. 4 is a front elevational view thereof, the rear view being a mirror image thereof;  
 FIG. 5 is a right side elevational view thereof, the left side being a mirror image thereof;  
 FIG. 6 is a bottom plan view thereof;  
 FIG. 7 is a front elevational view of a second embodiment of that shown in FIG. 1, the rear view being a mirror image thereof;  
 FIG. 8 is a front elevational view of a third embodiment of that shown in FIG. 1, the rear view being a mirror image thereof;  
 FIG. 9 is a right side elevational view of that shown in FIG. 7, the left side view being a mirror image thereof; and  
 FIG. 10 is a right side elevational view of that shown in FIG. 8, the left side view being a mirror image thereof.  
 The top and bottom plan views of embodiment 2 shown in FIGS. 7 and 9 and embodiment 3 shown in FIGS. 8 and 10 are identical respectively, to that shown in FIGS. 3 and 6.





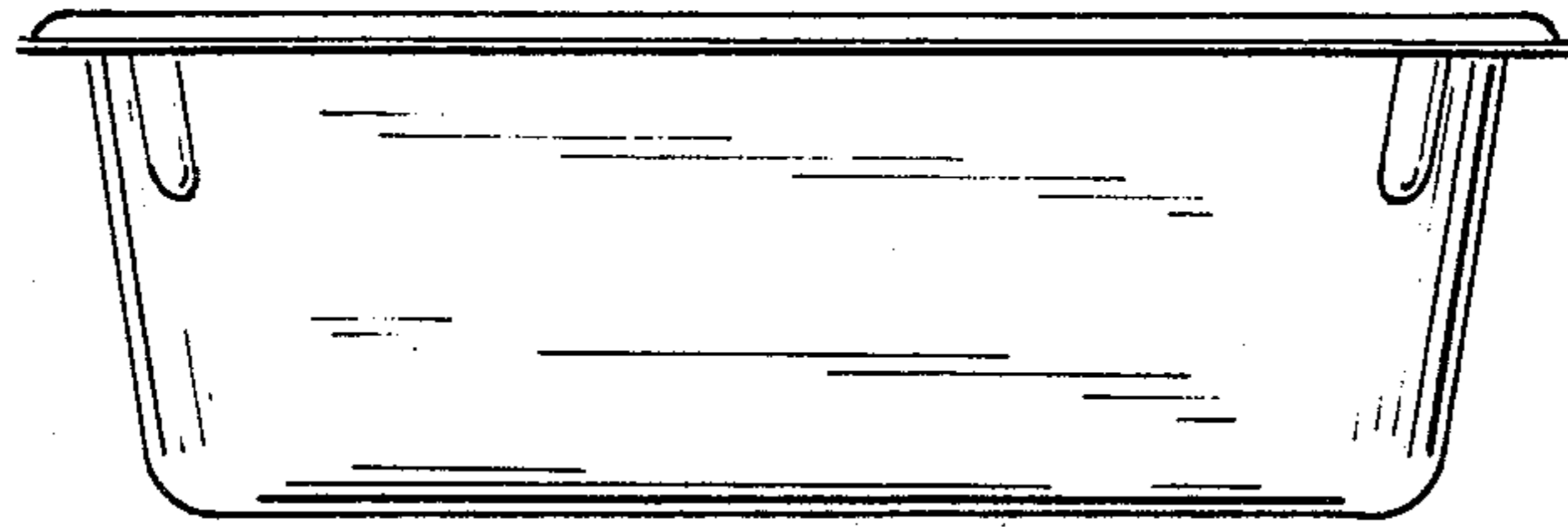


FIG. 5

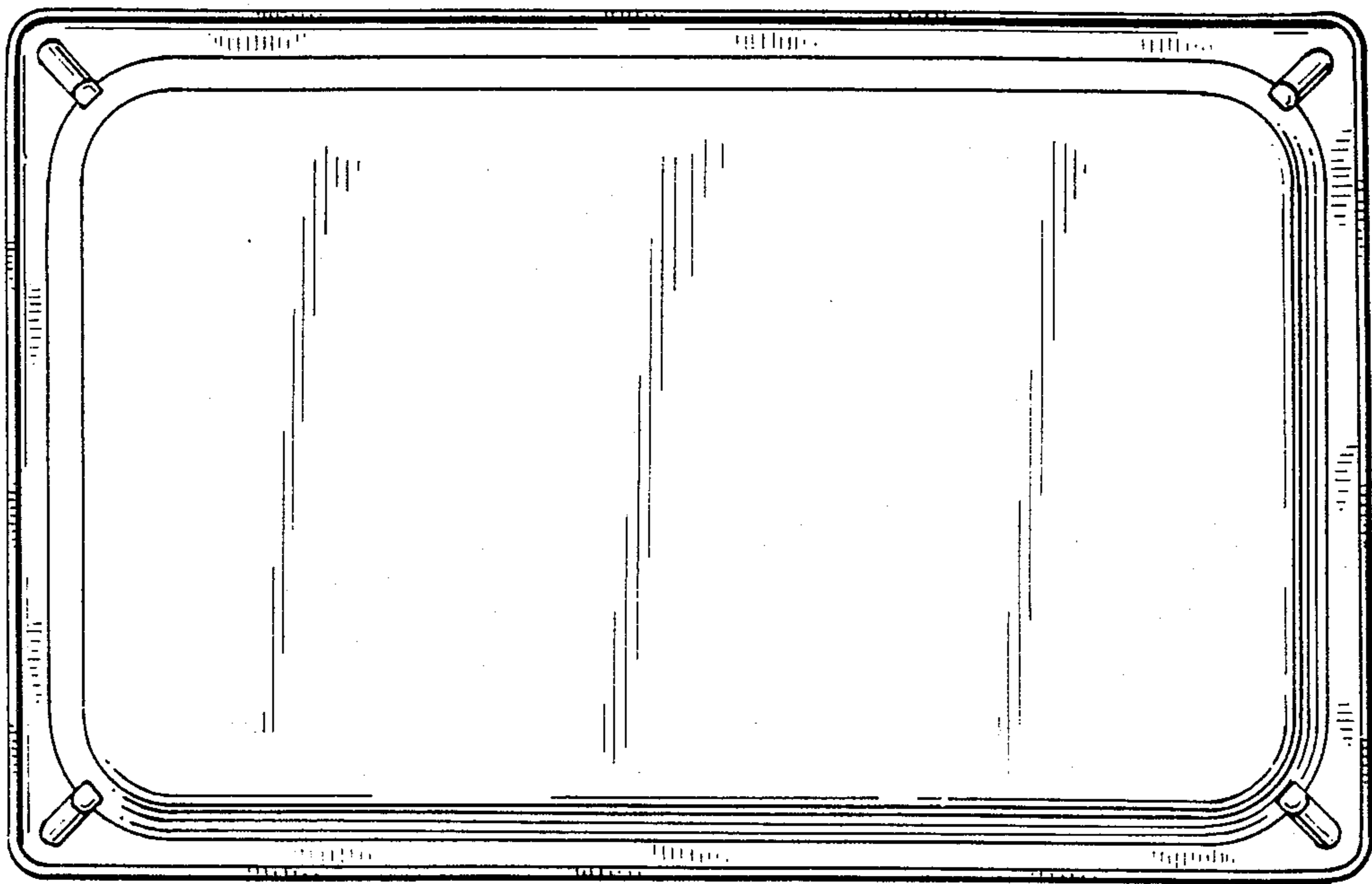


FIG. 6

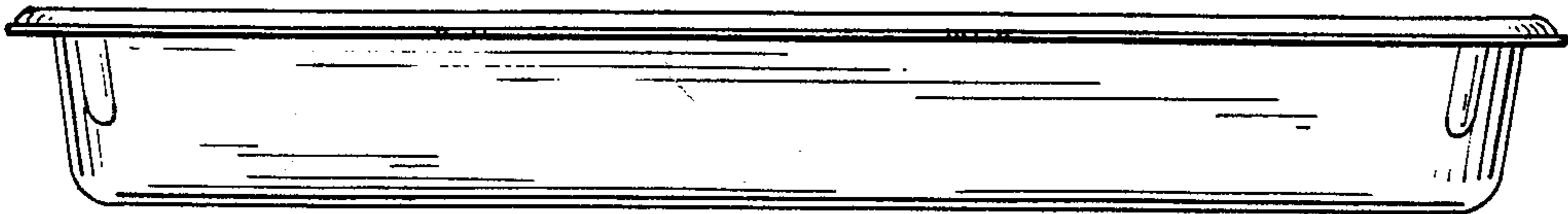


FIG. 7

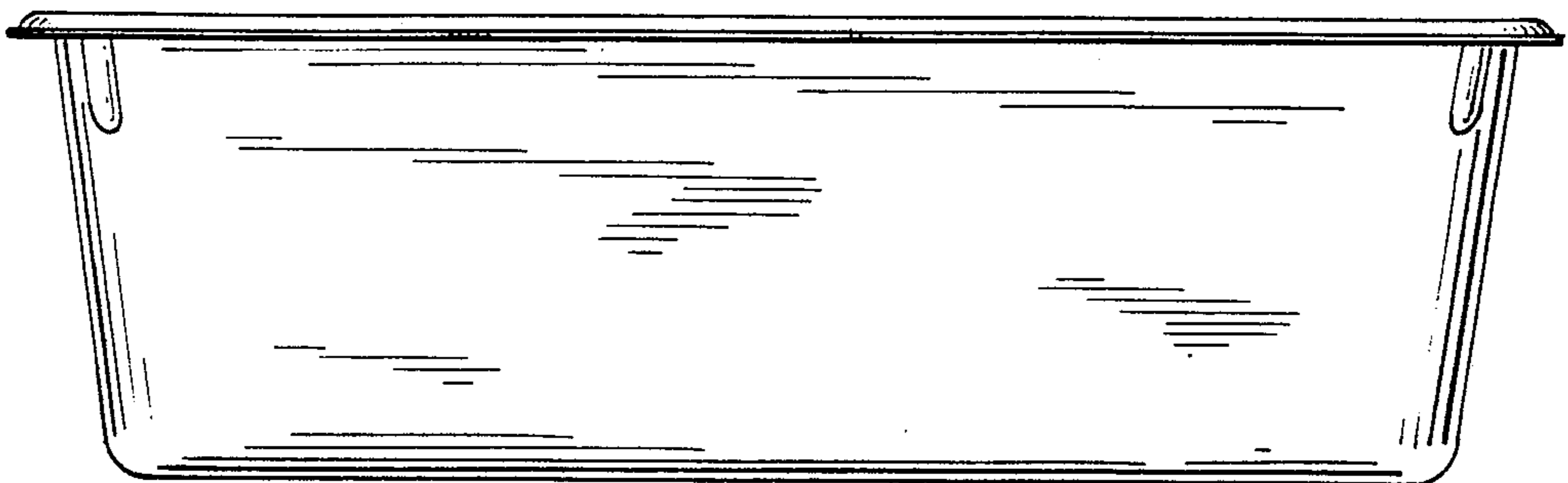


FIG. 8

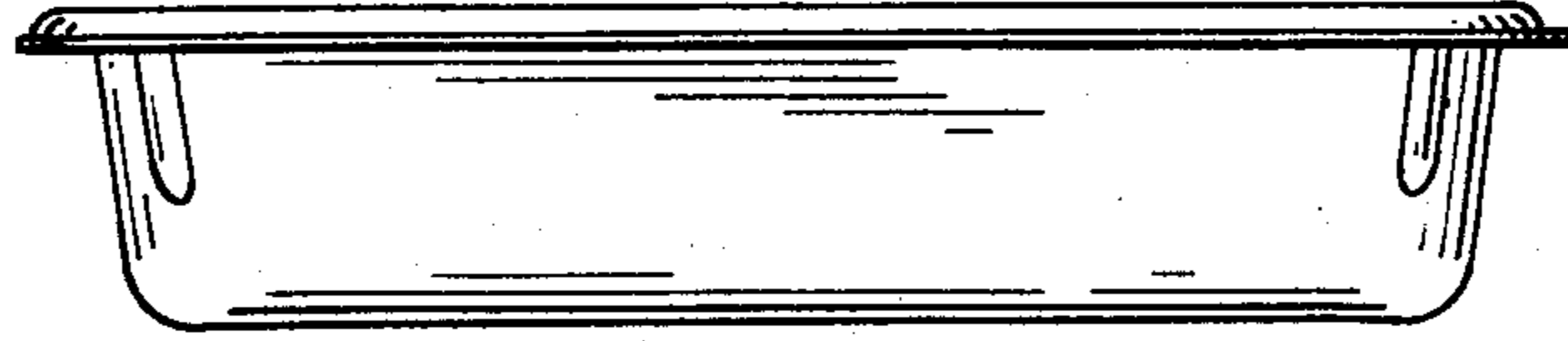


FIG. 9

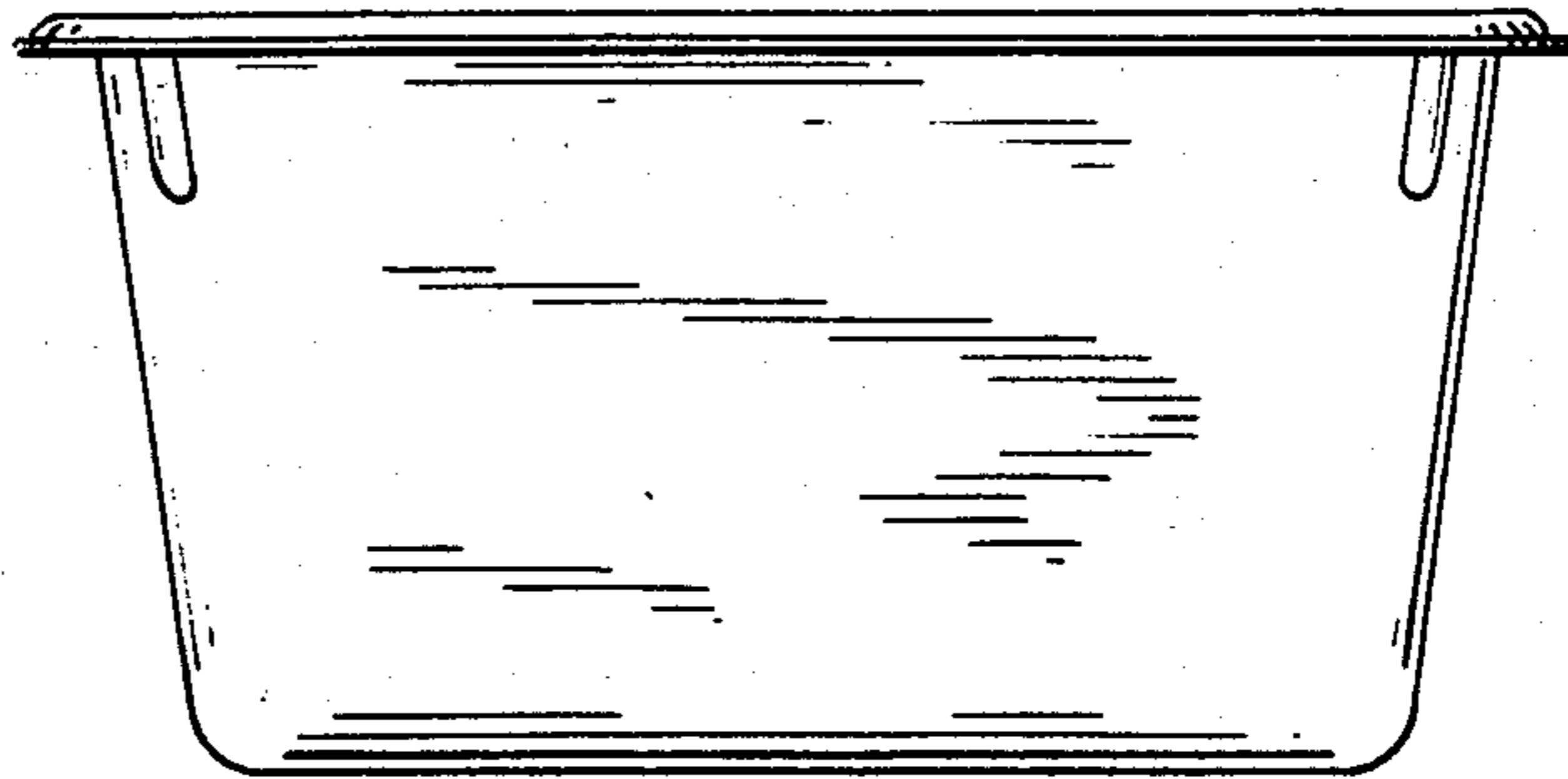


FIG. 10