

[54] COLANDER OR THE LIKE

[75] Inventors: Robert H. C. M. Daenen, Hekelgem; Pieter K. J. DeCoster, Aalst, both of Belgium; Martin J. Wolff, North Providence, R.I.

[73] Assignee: Dart Industries Inc., Northbrook, Ill.

[**] Term: 14 Years

[21] Appl. No.: 719,930

[22] Filed: Apr. 4, 1985

[52] U.S. Cl. D7/47

[58] Field of Search D7/47, 23, 316; 210/499, 473

[56] References Cited

U.S. PATENT DOCUMENTS

- D. 271,555 11/1983 Daenen et al. D7/316 X
- D. 286,490 11/1986 Carlson D7/47
- D. 287,207 12/1986 Daenon et al. D7/40

OTHER PUBLICATIONS

Industrial Design, 3/62, p. 70, Pasta Drainer.

Primary Examiner—Bernard Ansher

Assistant Examiner—Terry Pfeffer

Attorney, Agent, or Firm—John A. Doninger

[57] CLAIM

The ornamental design for a colander or the like, substantially as shown and described.

DESCRIPTION

FIG. 1 is a top perspective view of the colander or the like showing our new design;

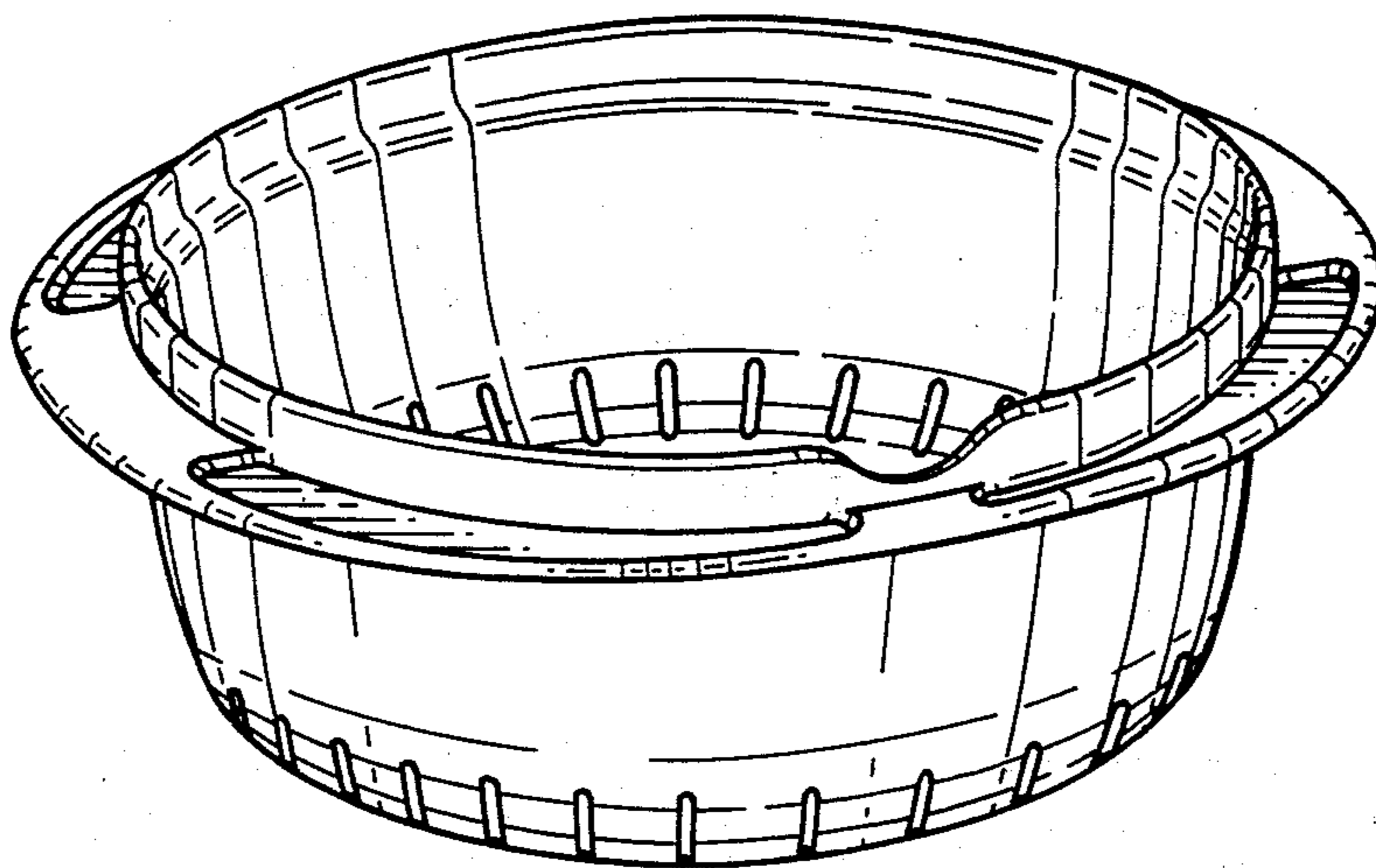
FIG. 2 is a front elevational view thereof;

FIG. 3 is a side elevational view thereof, the opposite side being identical thereto;

FIG. 4 is a top plan view thereof;

FIG. 5 is a bottom plan view thereof;

FIG. 6 is a cross-sectional view taken along line 6—6 of FIG. 4.



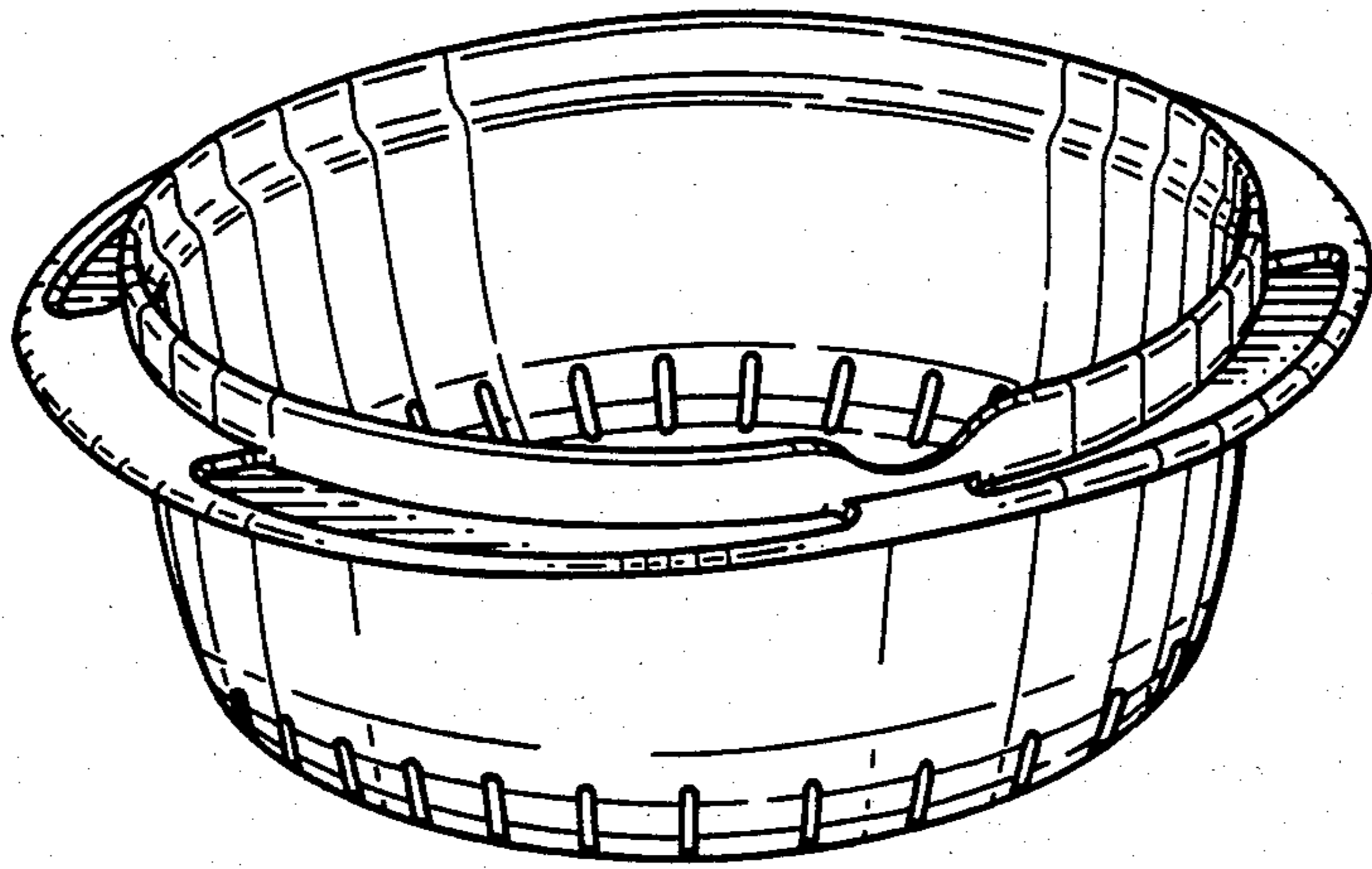


FIG. 1

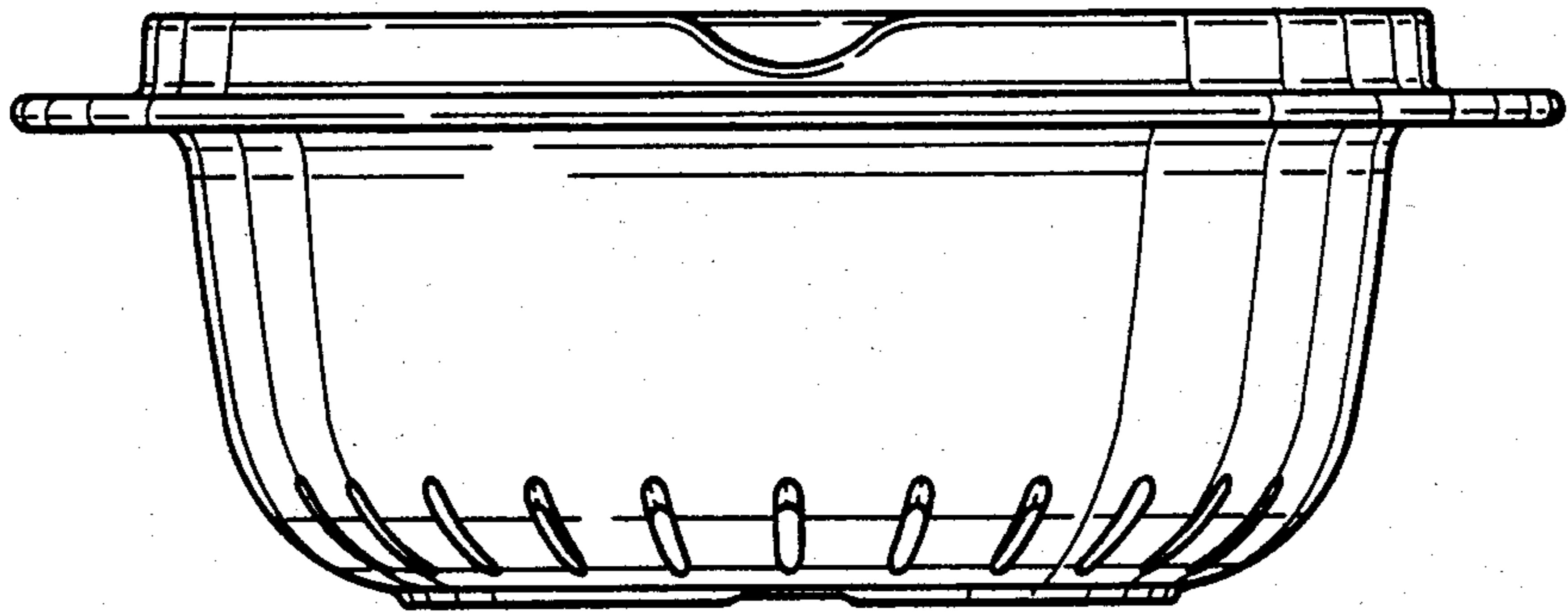


FIG. 2

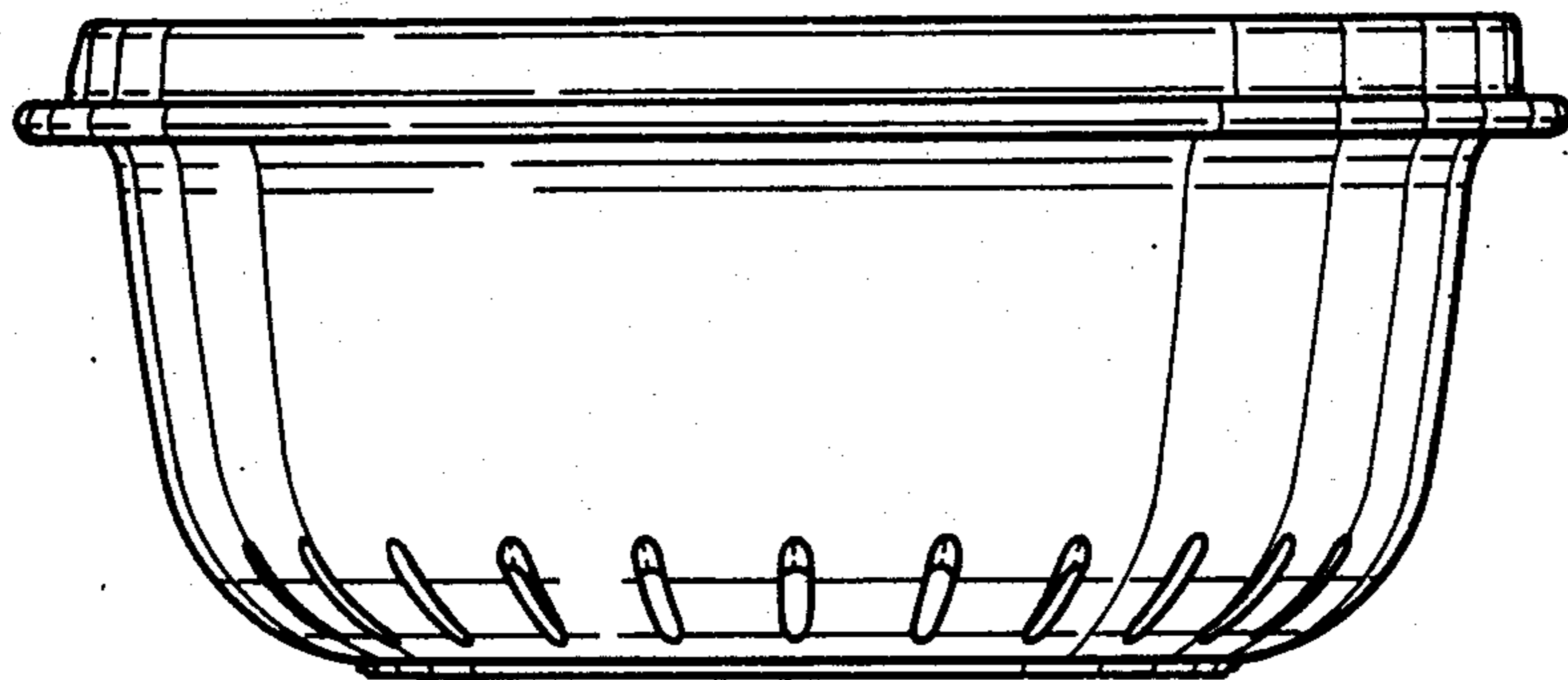


FIG. 3

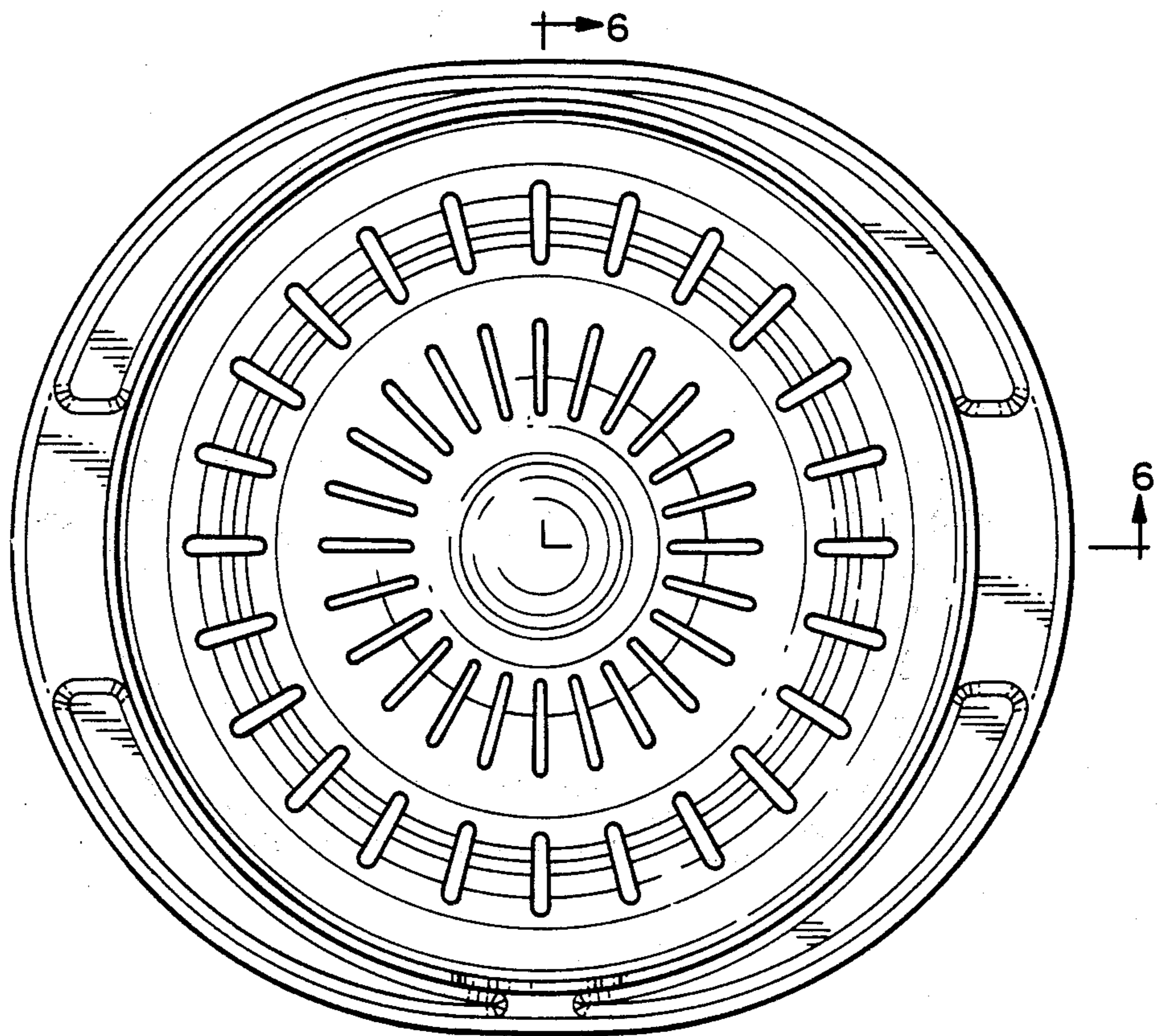


FIG. 4

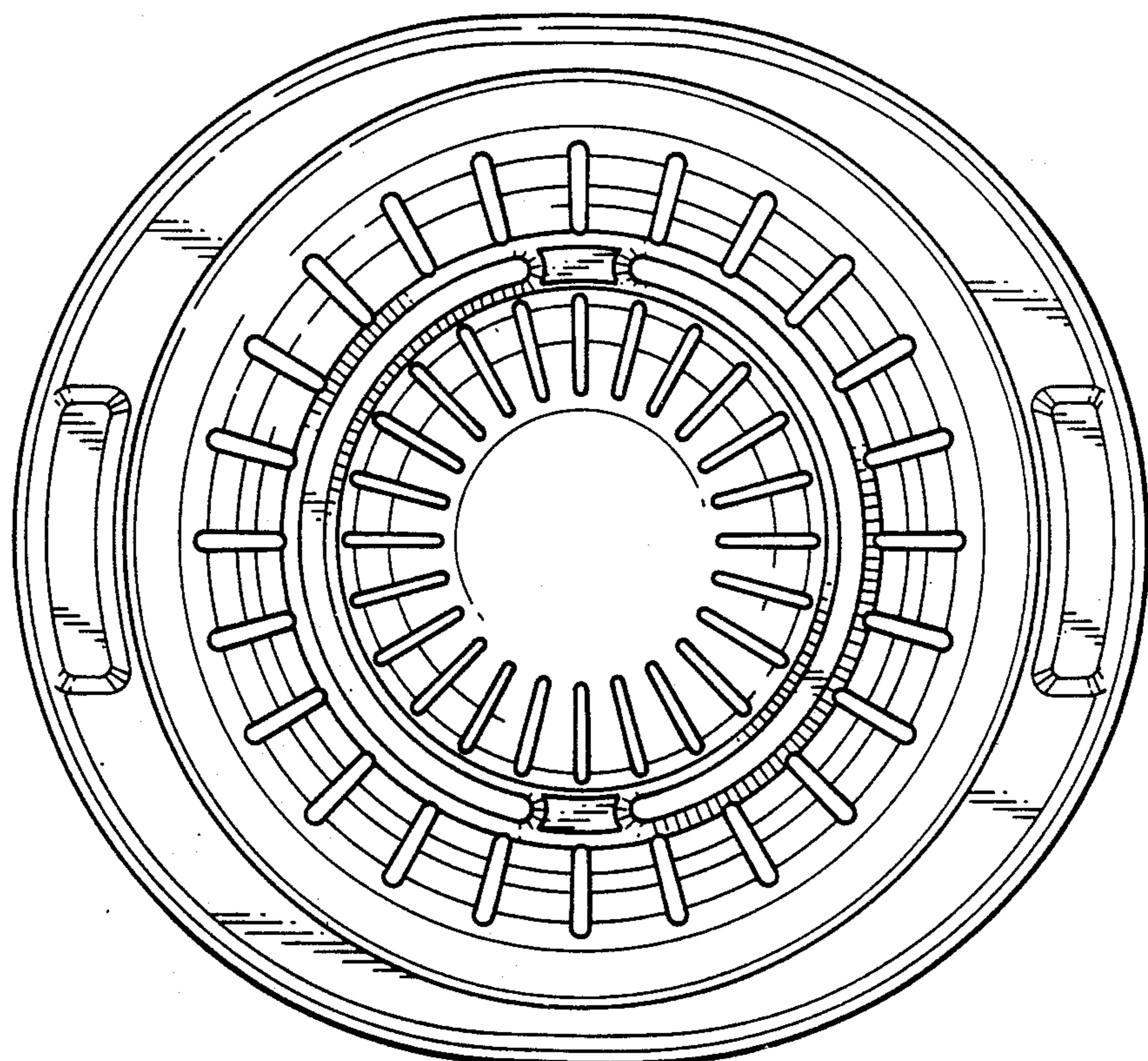


FIG. 5

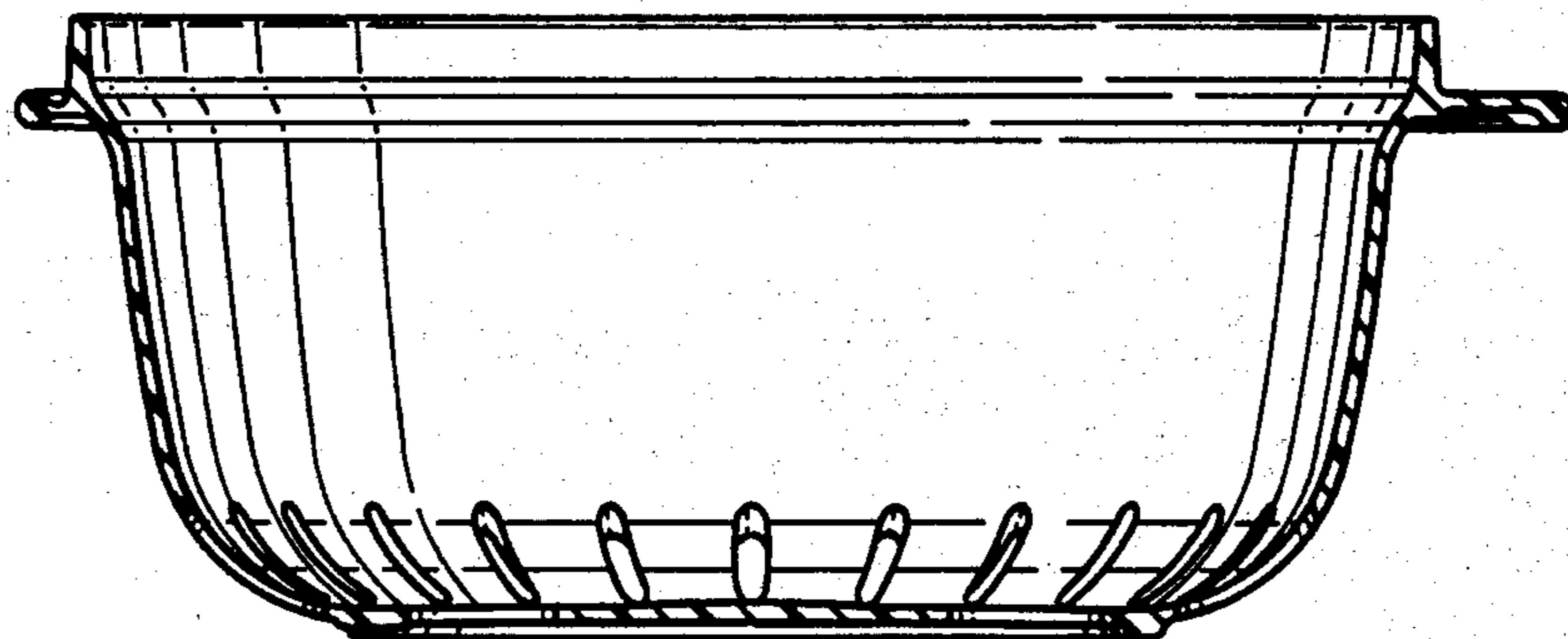


FIG.6