

[54] **BABY BATH CUSHION**
[76] **Inventor: Denise M. Holloway, 3816 Leslie Rd., Saraland, Ala. 36571**
[**] **Term: 14 Years**
[21] **Appl. No.: 703,029**
[22] **Filed: Feb. 19, 1985**
[52] **U.S. Cl. D6/601; D6/596**
[58] **Field of Search D6/595, 596, 597, 601, D6/598, 604, 599, 606, 582, 583, 592; 4/581, 583; 5/431, 436, 432, 434**

4,235,472 11/1980 Sparks et al. 5/434 X
FOREIGN PATENT DOCUMENTS
2052965 2/1981 United Kingdom 5/431 X
2424008 12/1979 France 5/436 X

Primary Examiner—Winifred E. Herrmann

[57] **CLAIM**

The ornamental design for a baby bath cushion, as shown.

DESCRIPTION

FIG. 1 is a perspective view of a baby bath cushion showing my new design;
FIG. 2 is a side elevational view taken from either side thereof;
FIG. 3 is a rear elevational view thereof, and
FIG. 4 is a bottom plan view thereof.

[56] **References Cited**
U.S. PATENT DOCUMENTS
2,839,766 6/1958 Hull 5/436
3,347,544 10/1967 Uffenorde 5/436

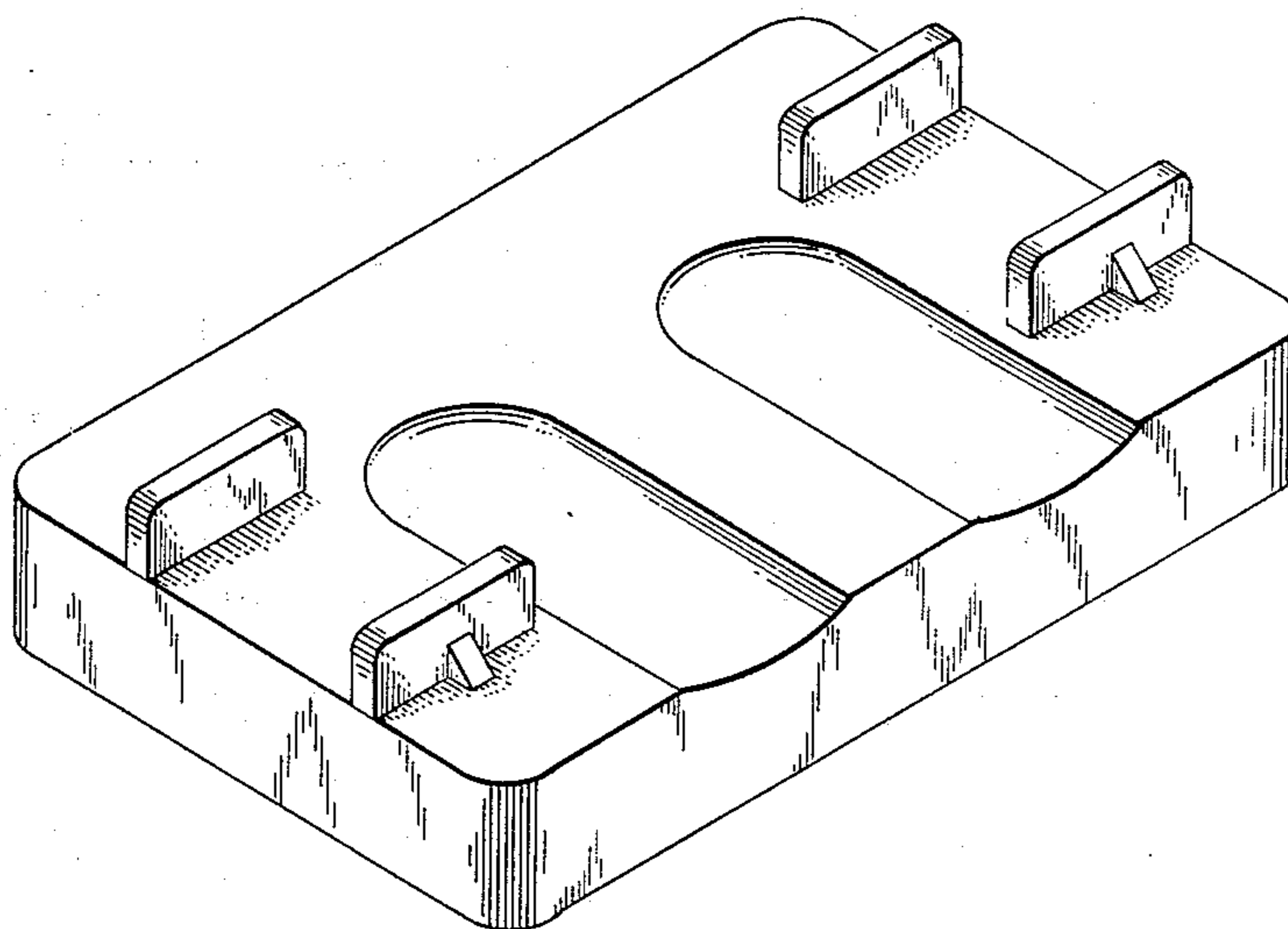


FIG. 1

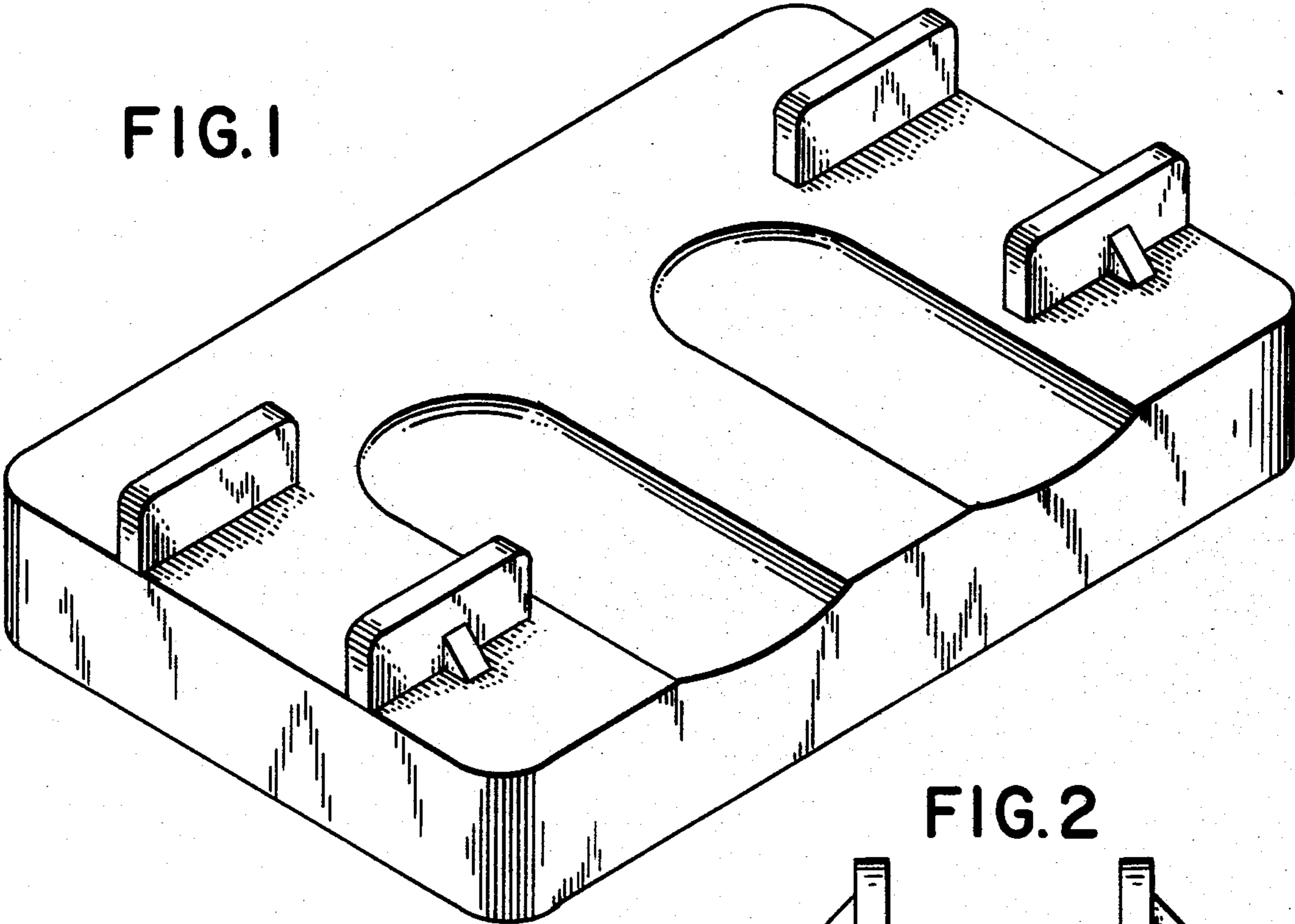


FIG. 2

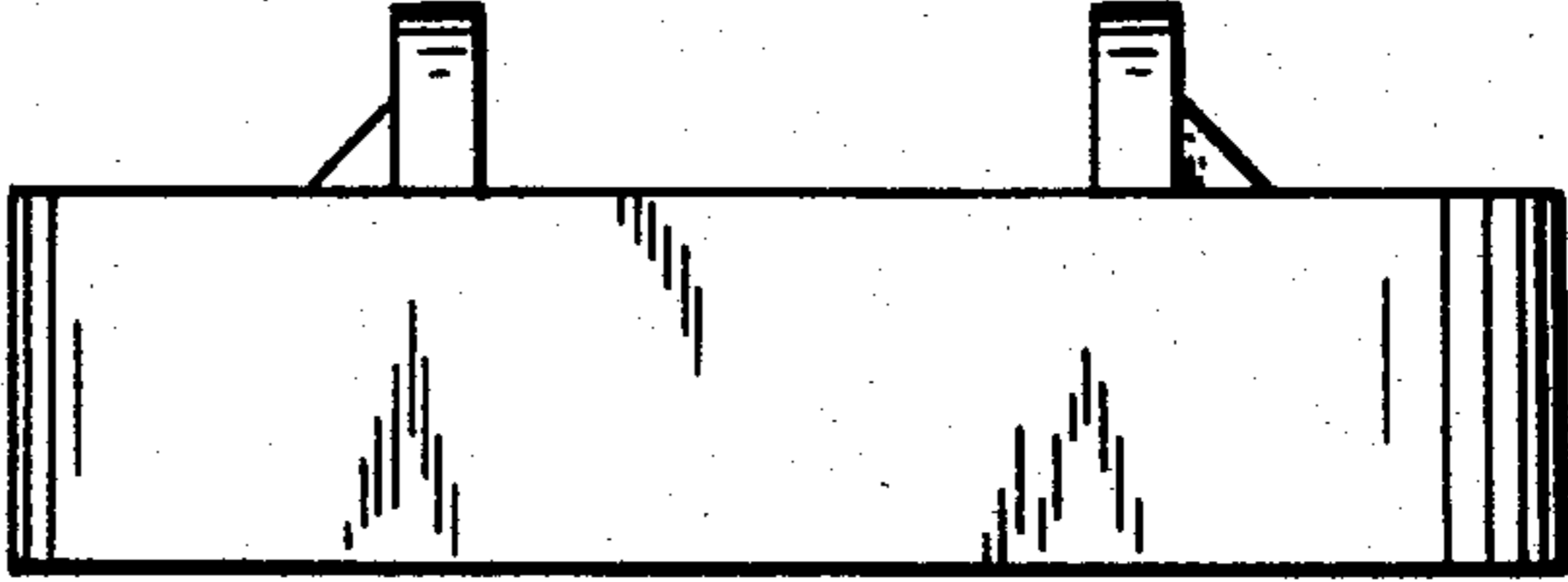


FIG. 3

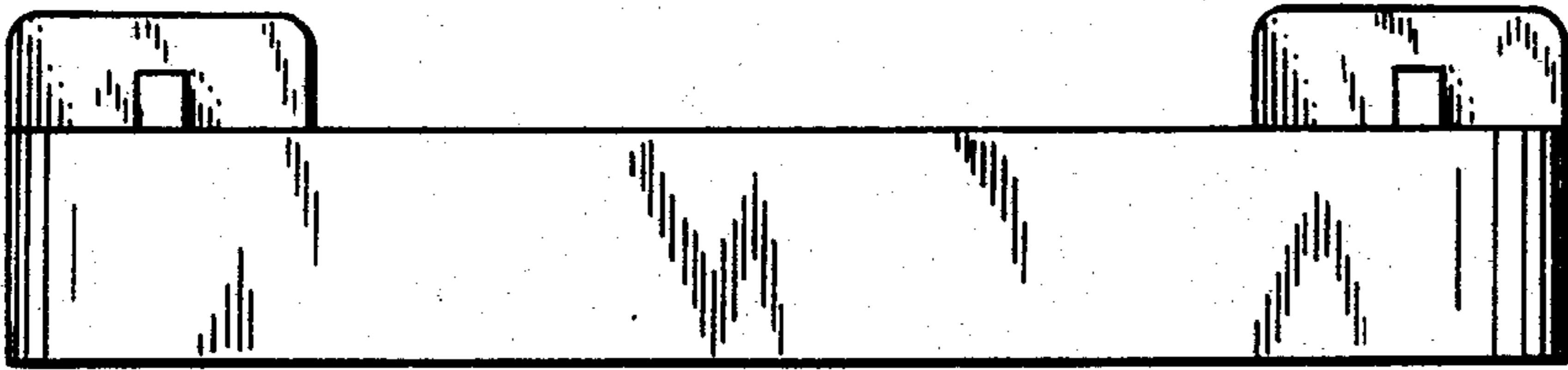


FIG. 4

