

[54] **COMBINED TUMBLER AND TOOTHBRUSH HOLDER**

4,488,327 12/1984 Snider 248/110

[75] Inventor: **John P. Chap, Lemont, Ill.**

[73] Assignee: **Selfix, Inc., Chicago, Ill.**

[**] Term: **14 Years**

[21] Appl. No.: **689,085**

[22] Filed: **Jan. 4, 1985**

[52] U.S. Cl. **D6/531; D6/534; D6/535**

[58] Field of Search **D6/524, 525, 527, 531, D6/536, 540, 534, 535; 248/110, 309.1, 310, 311.2; 211/87, 89, 90, 65**

[56] **References Cited**

U.S. PATENT DOCUMENTS

D. 99,443	4/1936	Levy	D6/531
D. 181,851	1/1958	Hendrickson	D6/535
D. 197,760	3/1964	Schreckengost	D6/531
D. 272,109	1/1984	Shames et al.	D6/531

OTHER PUBLICATIONS

Sweet & Architectural Cat. File 1978; Sec. 10.16/Pa; pg. 36; Tumbler & Toothbrush Holder #1215.

Primary Examiner—B. J. Bullock

Attorney, Agent, or Firm—Dressler, Goldsmith, Shore, Sutker & Milnamow, Ltd.

[57] **CLAIM**

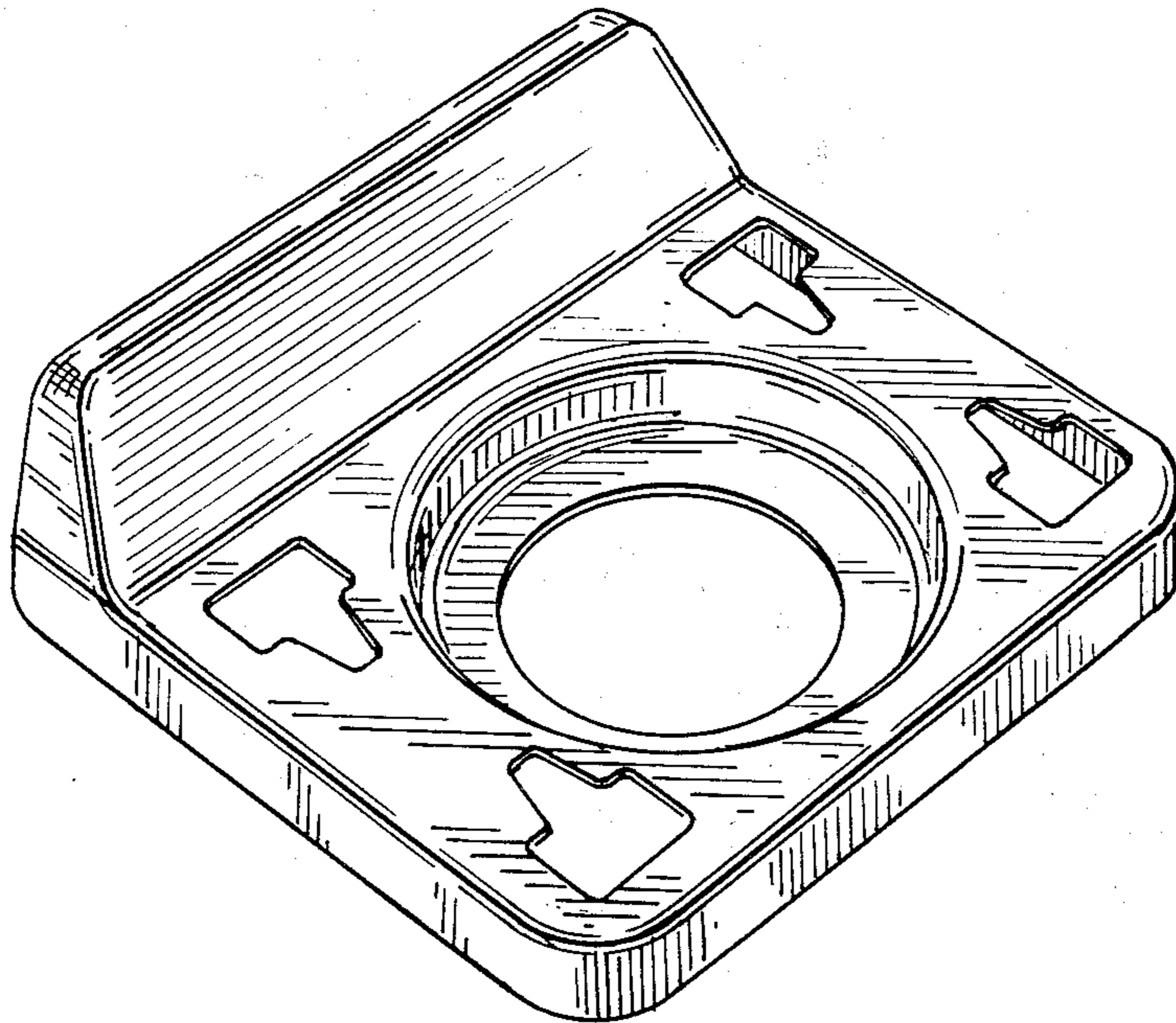
The ornamental design for a combined tumbler and toothbrush holder, substantially as shown and described.

DESCRIPTION

FIG. 1 is a front perspective view of a combined tumbler and toothbrush holder showing my new design; FIG. 2 is a front elevational view thereof, the rear being unornamented;

FIG. 3 is a top plan view thereof, the bottom being unornamented;

FIG. 4 is a right side elevational view thereof.



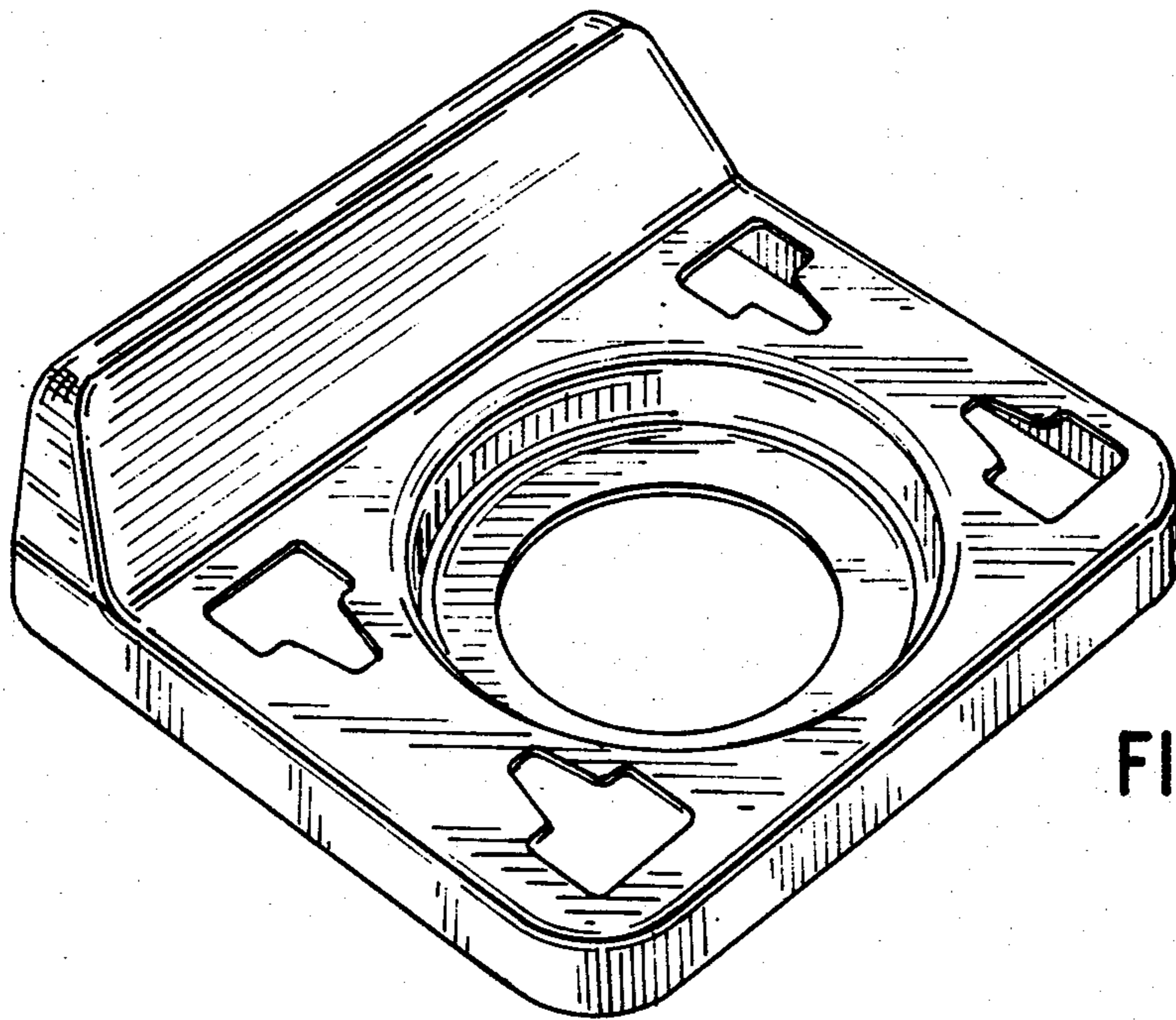


FIG. 1

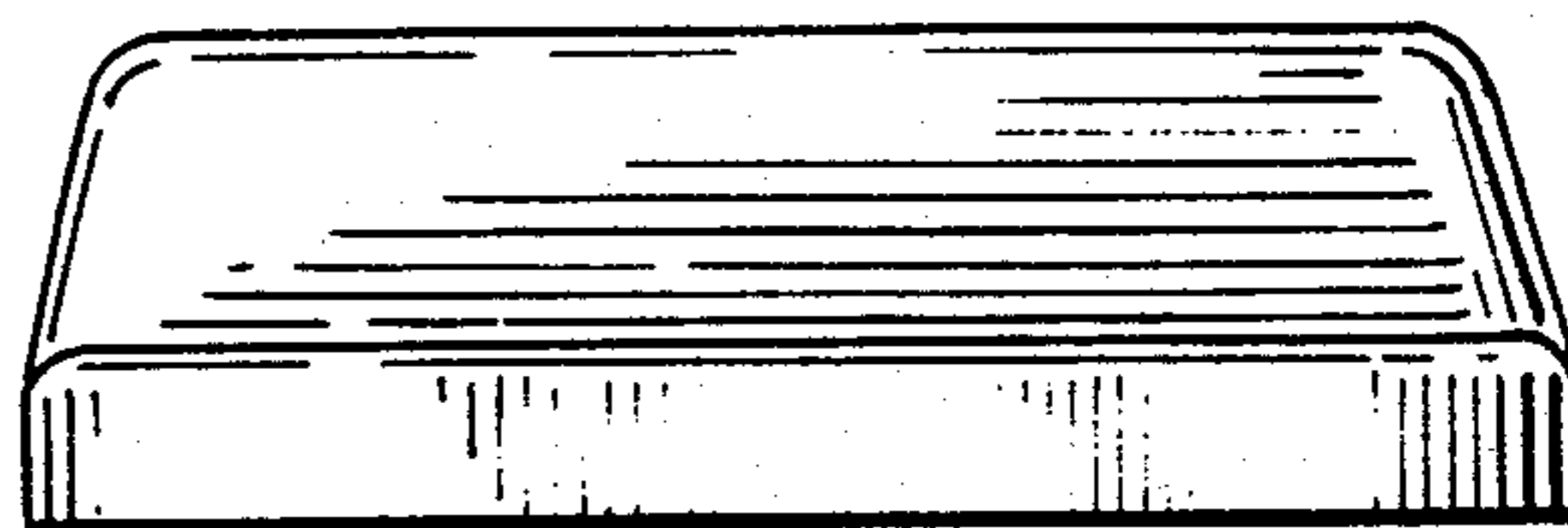


FIG. 2

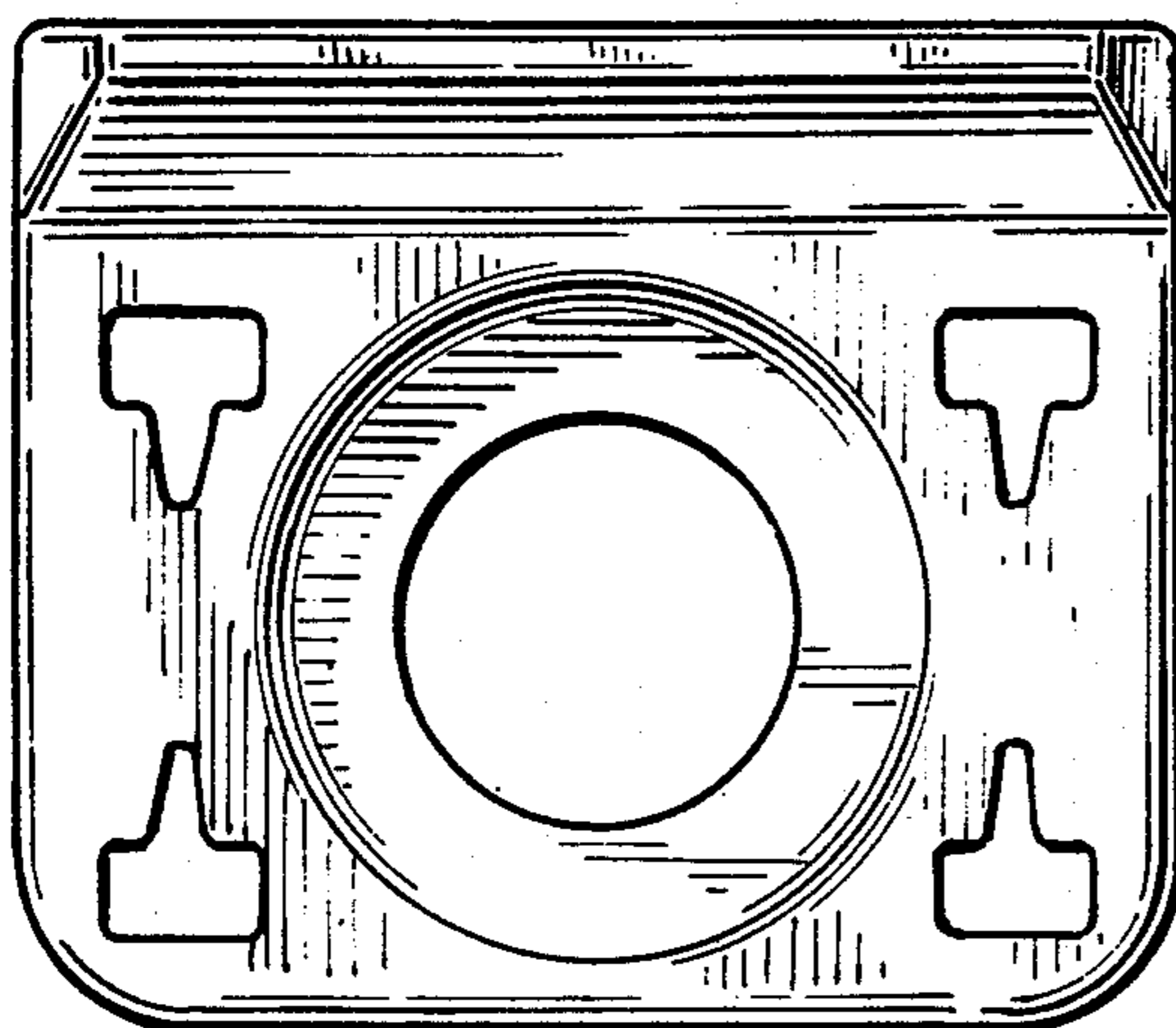


FIG. 3

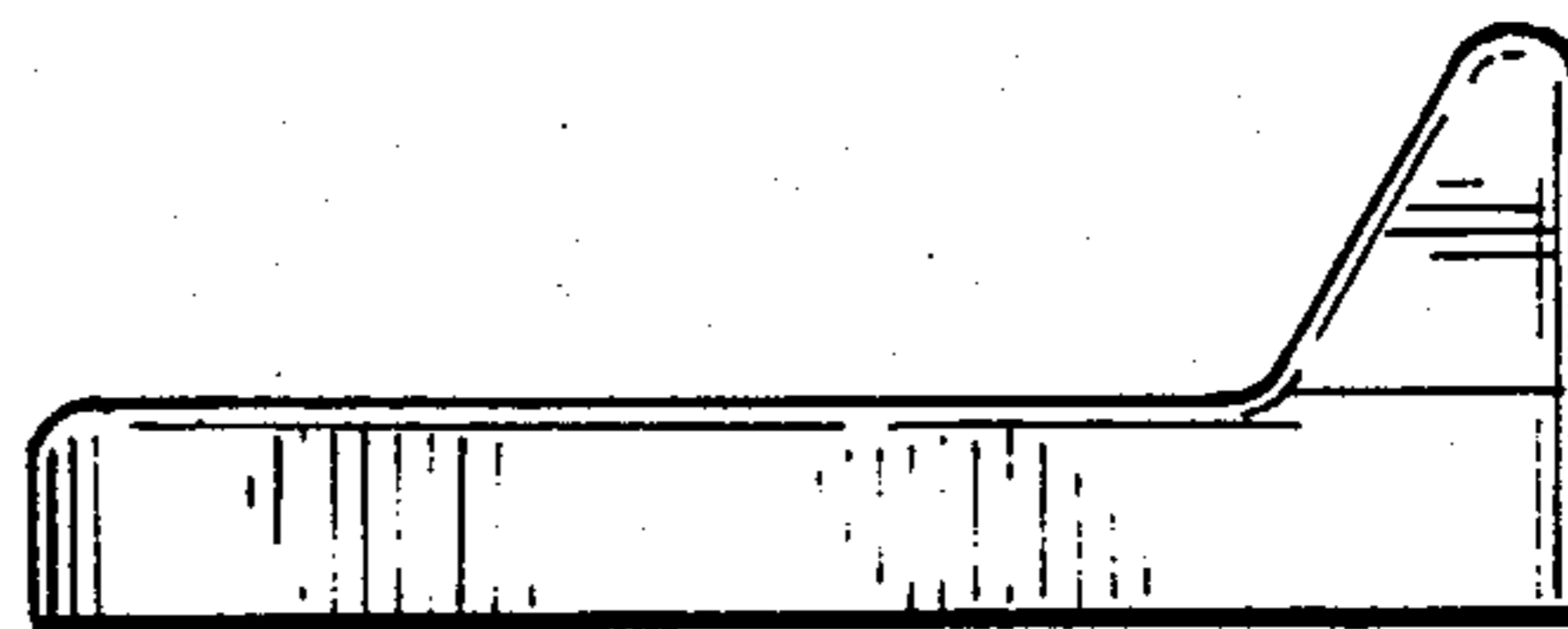


FIG. 4