

[54] **TISSUE HOLDER**

[75] **Inventor: John P. Chap, Lemont, Ill.**

[73] **Assignee: Selfix, Inc., Chicago, Ill.**

[\*\*] **Term: 14 Years**

[21] **Appl. No.: 689,082**

[22] **Filed: Jan. 4, 1985**

[52] **U.S. Cl. .... D6/523**

[58] **Field of Search ..... D6/524, 518, 522, 523;  
242/55.2; 248/311.2**

[56] **References Cited**

**U.S. PATENT DOCUMENTS**

- D. 196,900 11/1963 Schreckengost ..... D6/523
- D. 228,849 10/1973 Firdmann ..... D6/523
- D. 248,999 8/1978 House ..... D6/523

**FOREIGN PATENT DOCUMENTS**

2364014 5/1978 France ..... 248/311.2

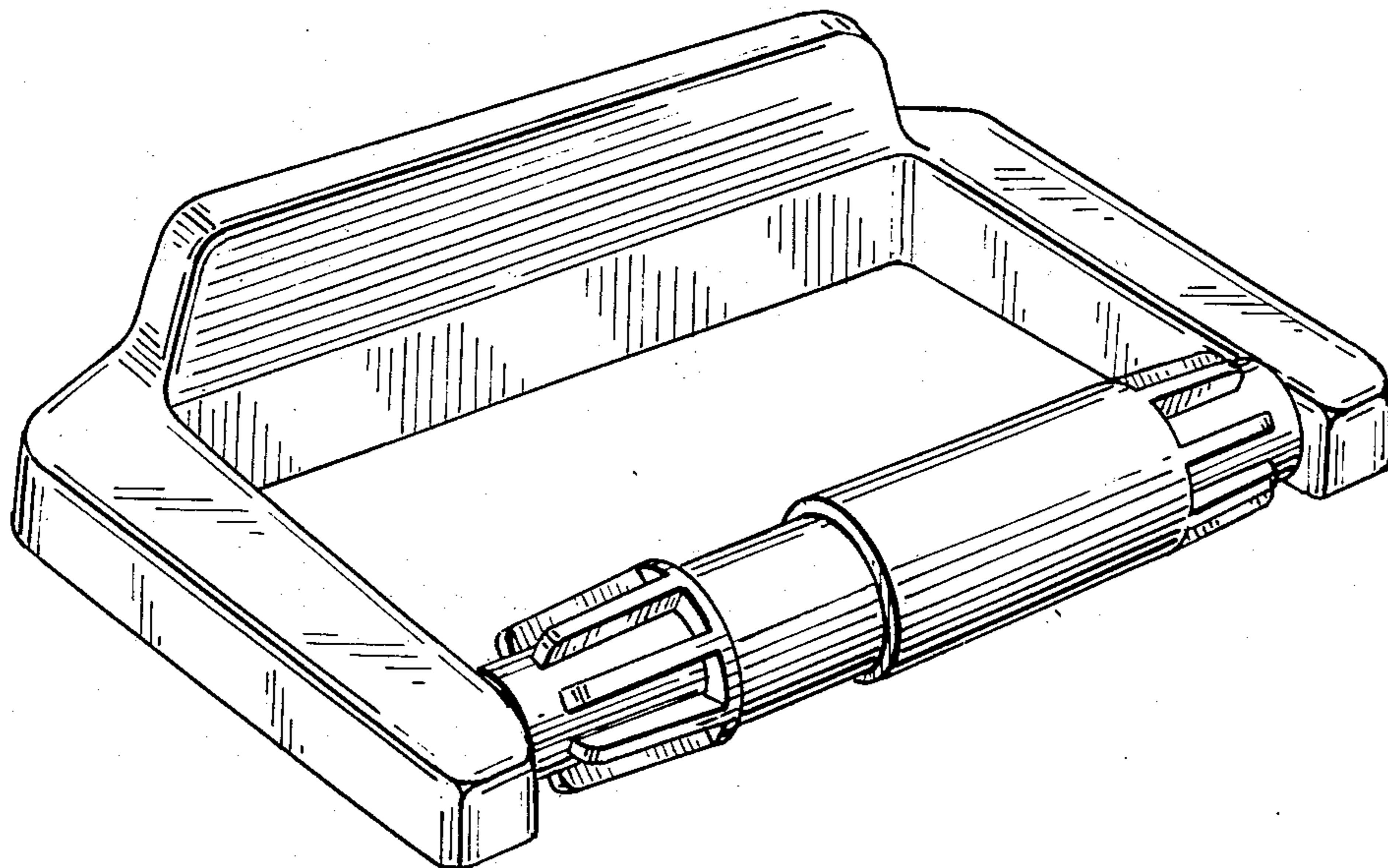
*Primary Examiner*—B. J. Bullock  
*Attorney, Agent, or Firm*—Dressler, Goldsmith, Shore,  
Sutker & Milnamow, Ltd.

[57] **CLAIM**

The ornamental design for a tissue holder, substantially as shown and described.

**DESCRIPTION**

FIG. 1 is a front perspective view of a tissue holder showing my new design;  
FIG. 2 is a right side elevational view thereof;  
FIG. 3 is a front elevational view thereof, the rear being unornamented;  
FIG. 4 is a top plan view thereof, the bottom being unornamented.



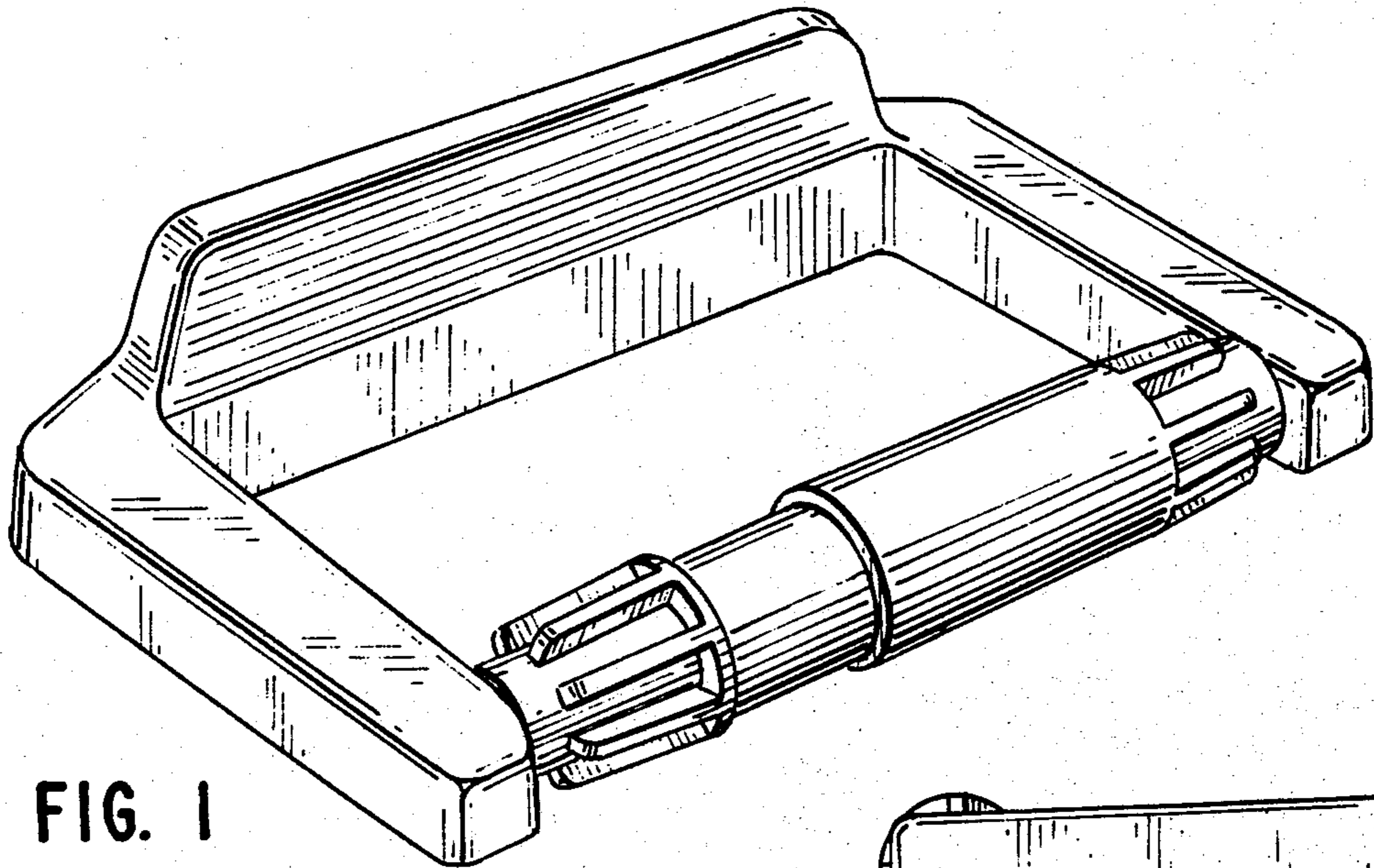


FIG. 1

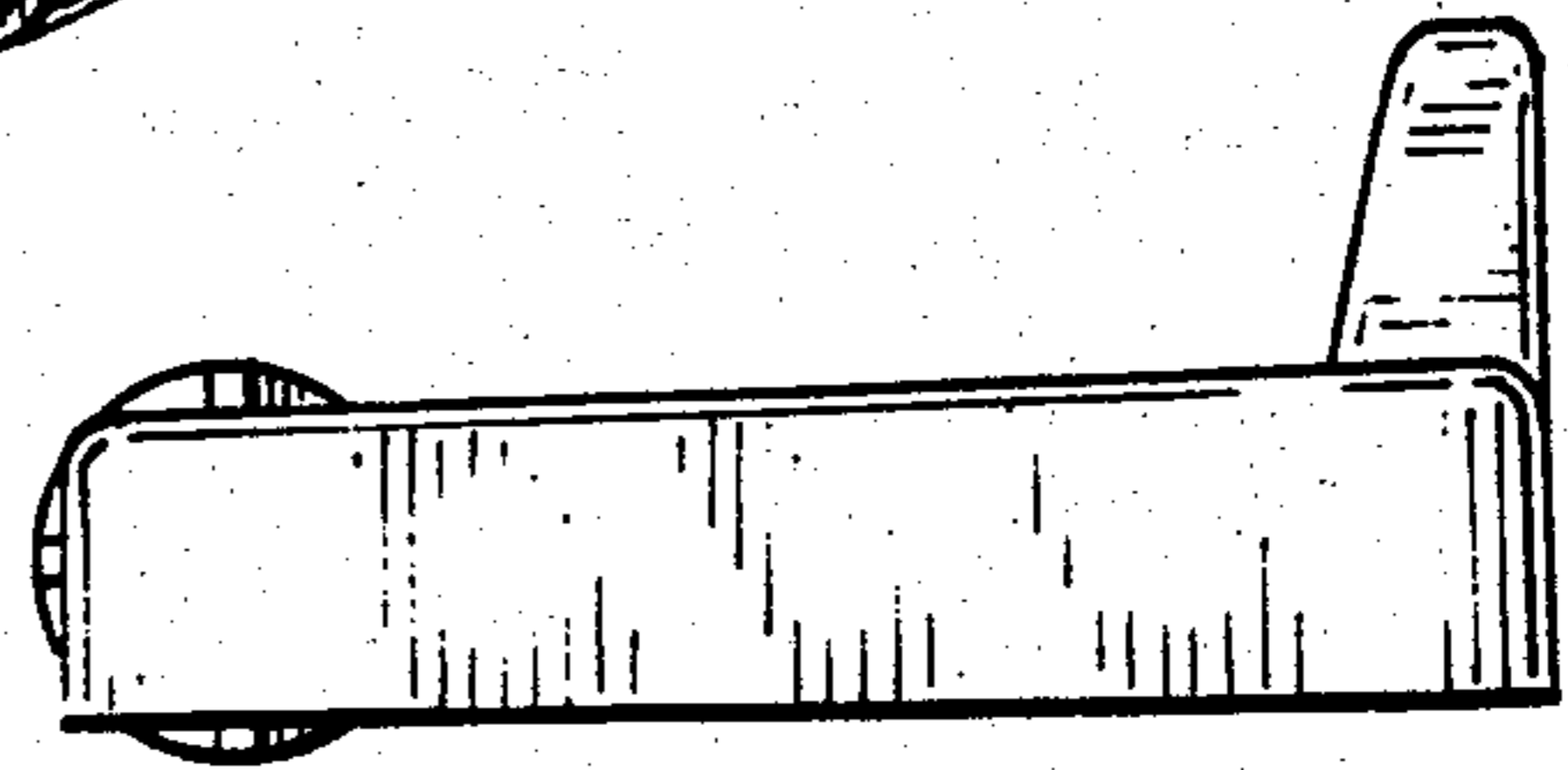


FIG. 2

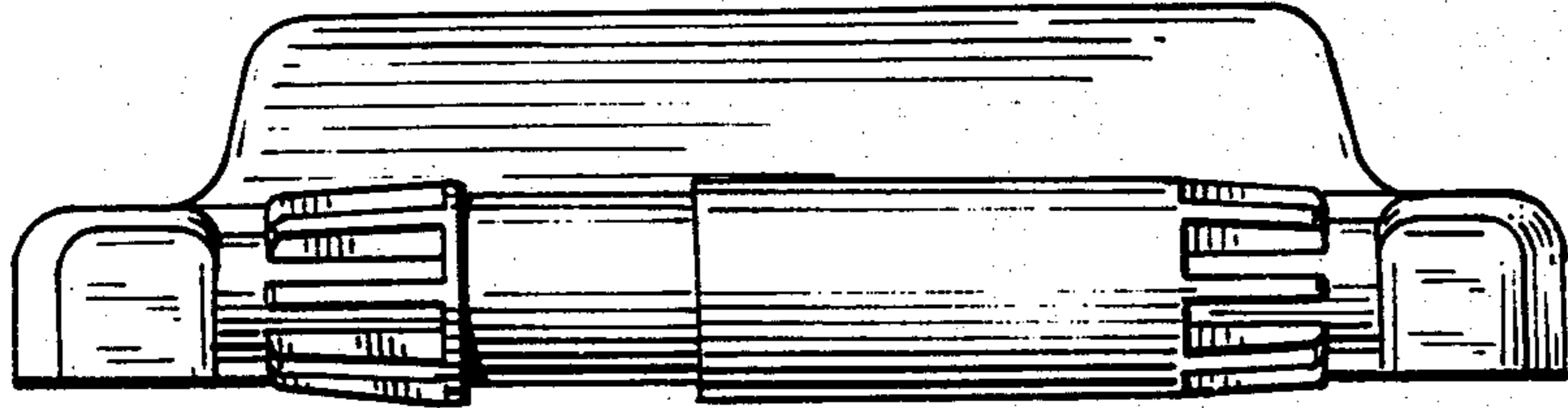


FIG. 3

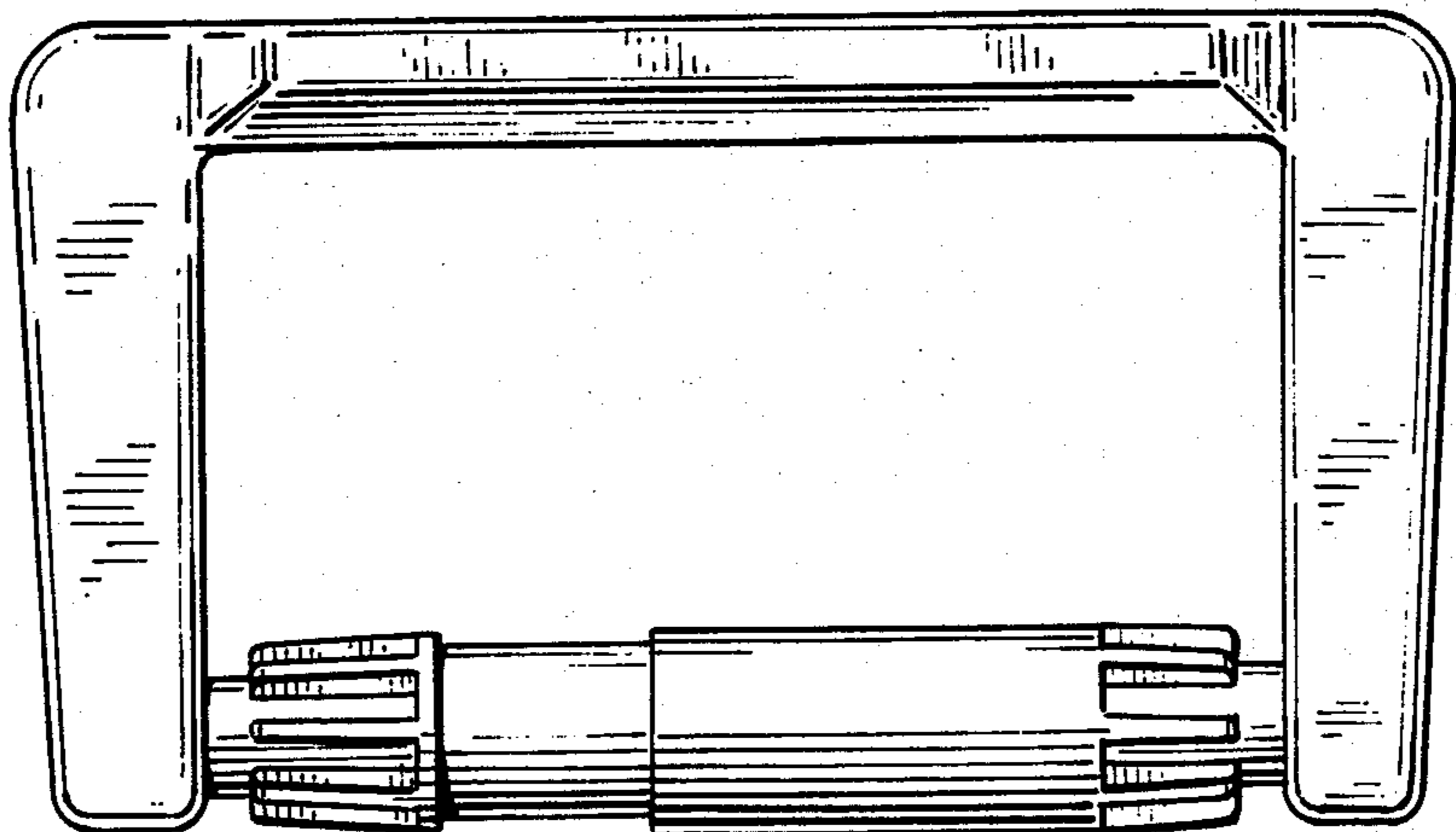


FIG. 4