

United States Patent [19]

Strousse et al.

[11] Patent Number: **Des. 291,516**

[45] Date of Patent: **** Aug. 25, 1987**

[54] **TABLE FRAME OR SIMILAR ARTICLE**

[75] Inventors: **Babette L. Strousse**, Manhattan Beach; **Stephen H. Kaminski**, Burbank, both of Calif.

[73] Assignee: **Samsonite Furniture Co.**, Murfreesboro, Tenn.

[*] Notice: The portion of the term of this patent subsequent to Jun. 30, 2001 has been disclaimed.

[**] Term: **14 Years**

[21] Appl. No.: **649,792**

[22] Filed: **Sep. 11, 1984**

[52] U.S. Cl. **D6/499; D6/484; D6/485; D6/487**

[58] Field of Search **D6/349, 477, 484, 487, D6/485, 491, 495, 496, 499**

[56] **References Cited**

U.S. PATENT DOCUMENTS

D. 151,119	9/1948	Eames	D6/487 X
D. 242,007	10/1976	Bedol	D6/484 X
D. 255,191	6/1980	Thorpe	D6/477
D. 264,411	5/1982	Collins	D6/477
D. 267,617	1/1983	Hickey	D6/484
D. 270,973	10/1983	Brunner et al.	D6/478
D. 278,864	5/1985	Borichevsky	D6/349

Primary Examiner—Bruce W. Dunkins

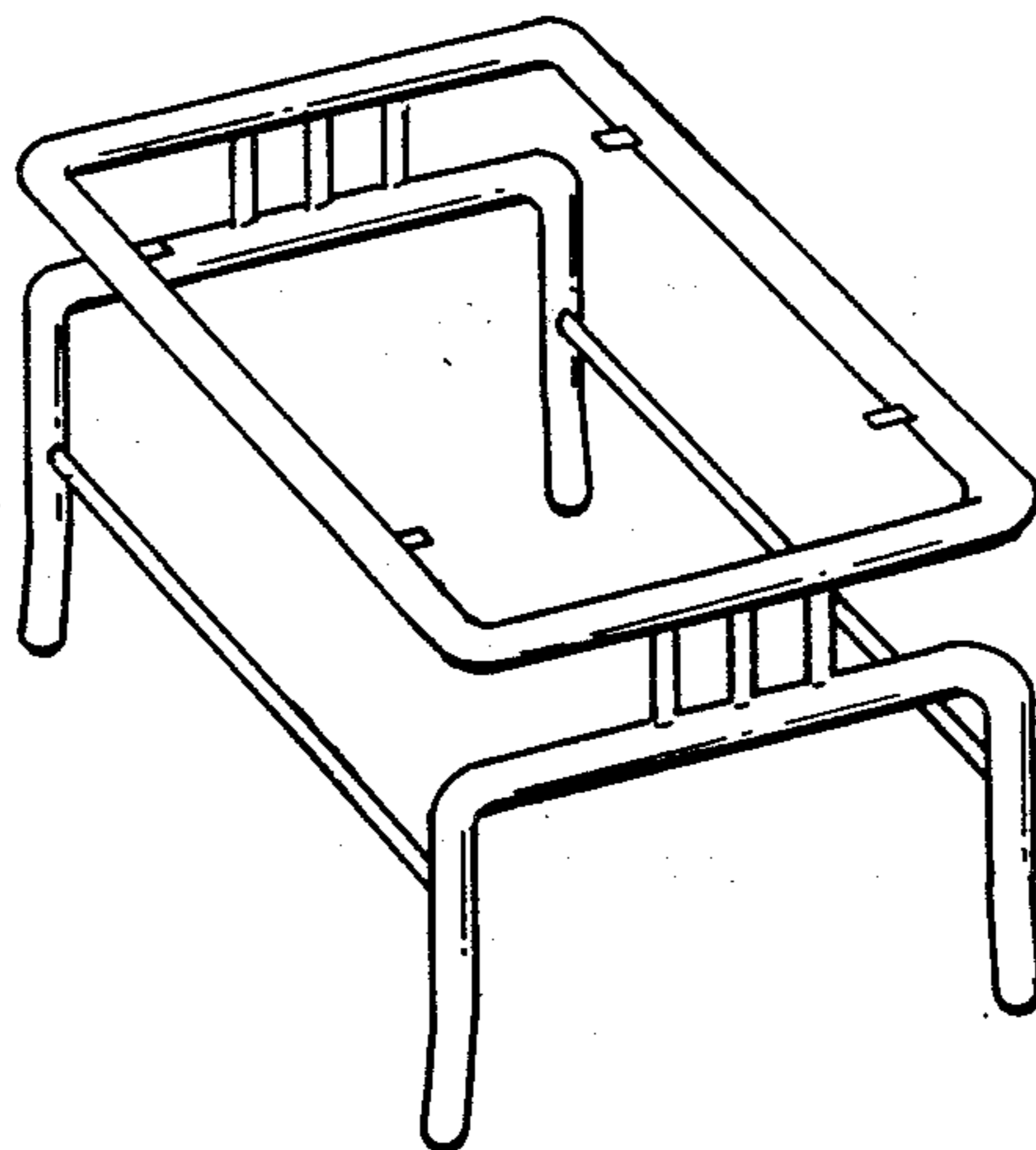
Attorney, Agent, or Firm—D. Michael Clayton; Gregory W. O'Connor

[57] **CLAIM**

The ornamental design for a table frame or similar article, as shown and described.

DESCRIPTION

FIG. 1 is a perspective view of a table frame or similar article showing our design;
FIG. 2 is a top plan view;
FIG. 3 is a bottom plan view;
FIG. 4 is a perspective view showing one of the two identical ends; and
FIG. 5 is a perspective view showing one of the two identical sides.



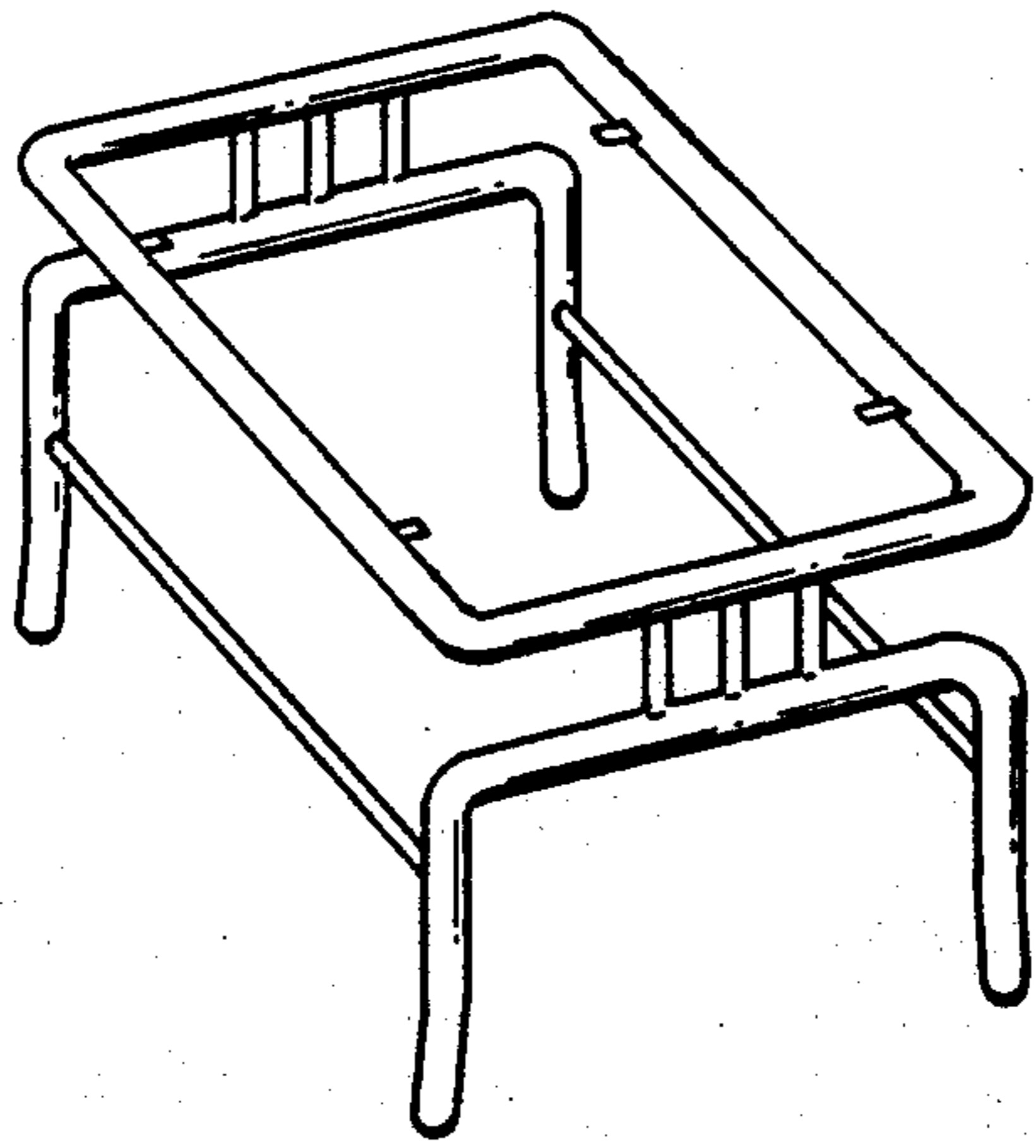


FIG. 1

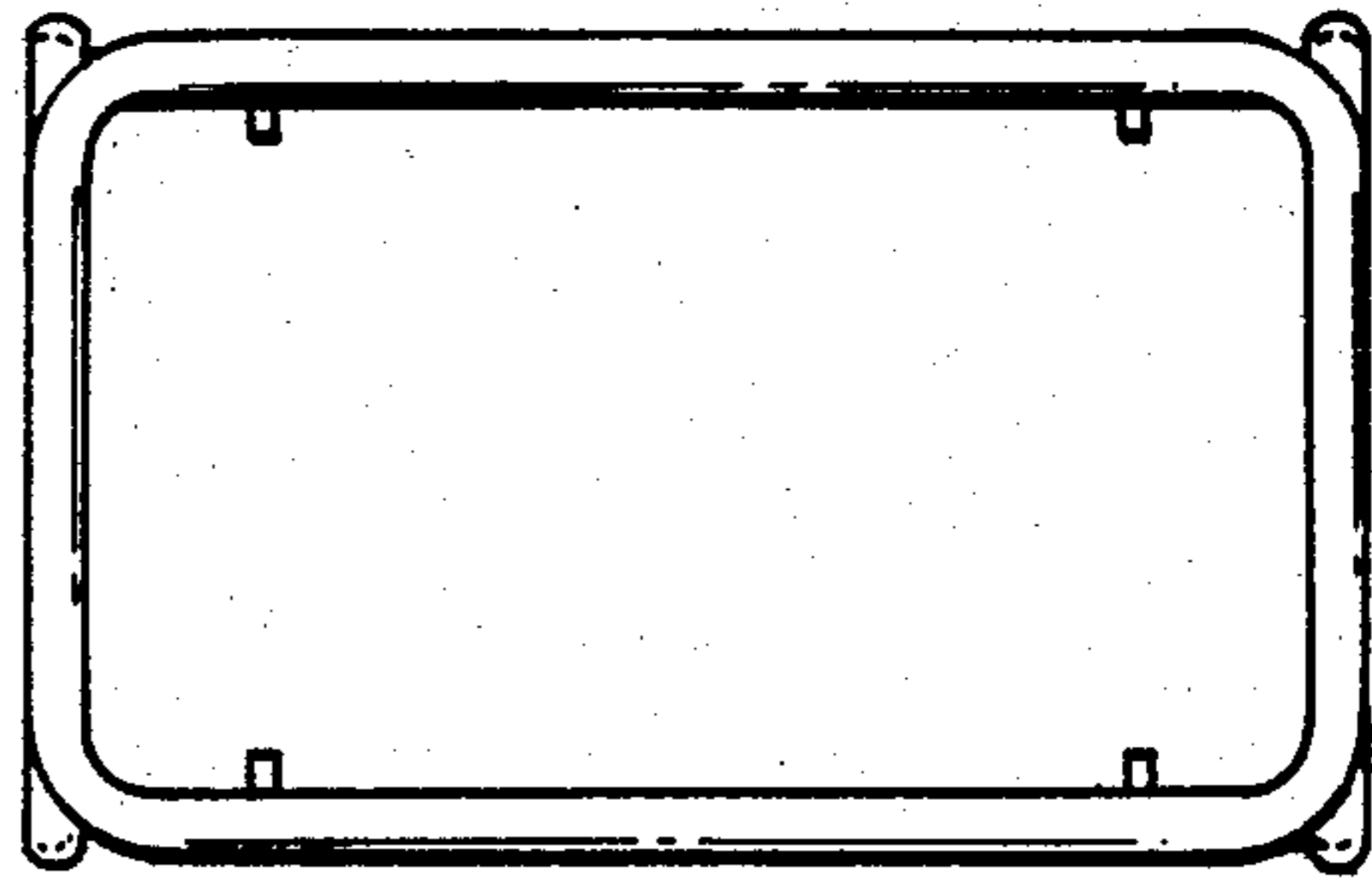


FIG. 2

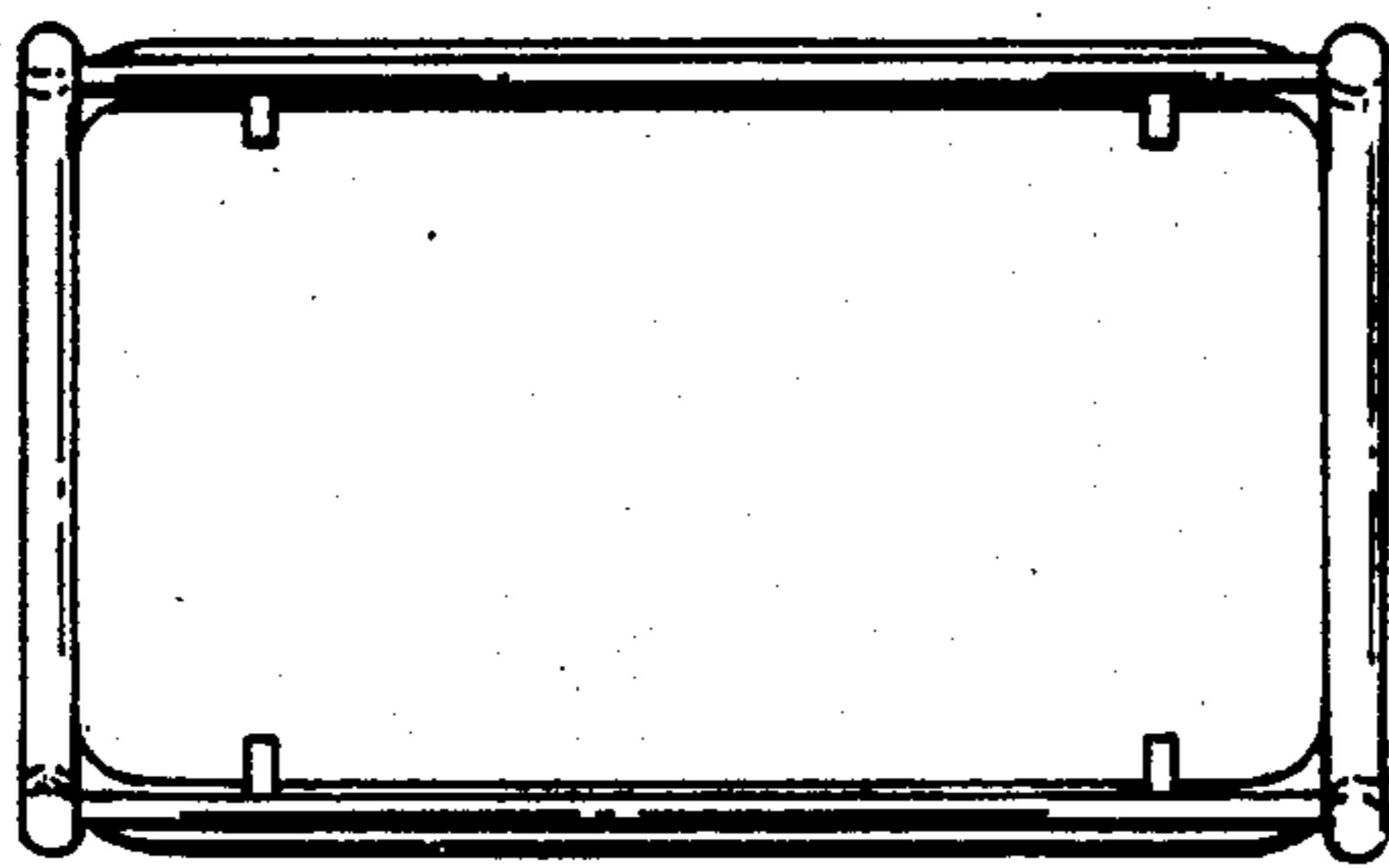


FIG. 3

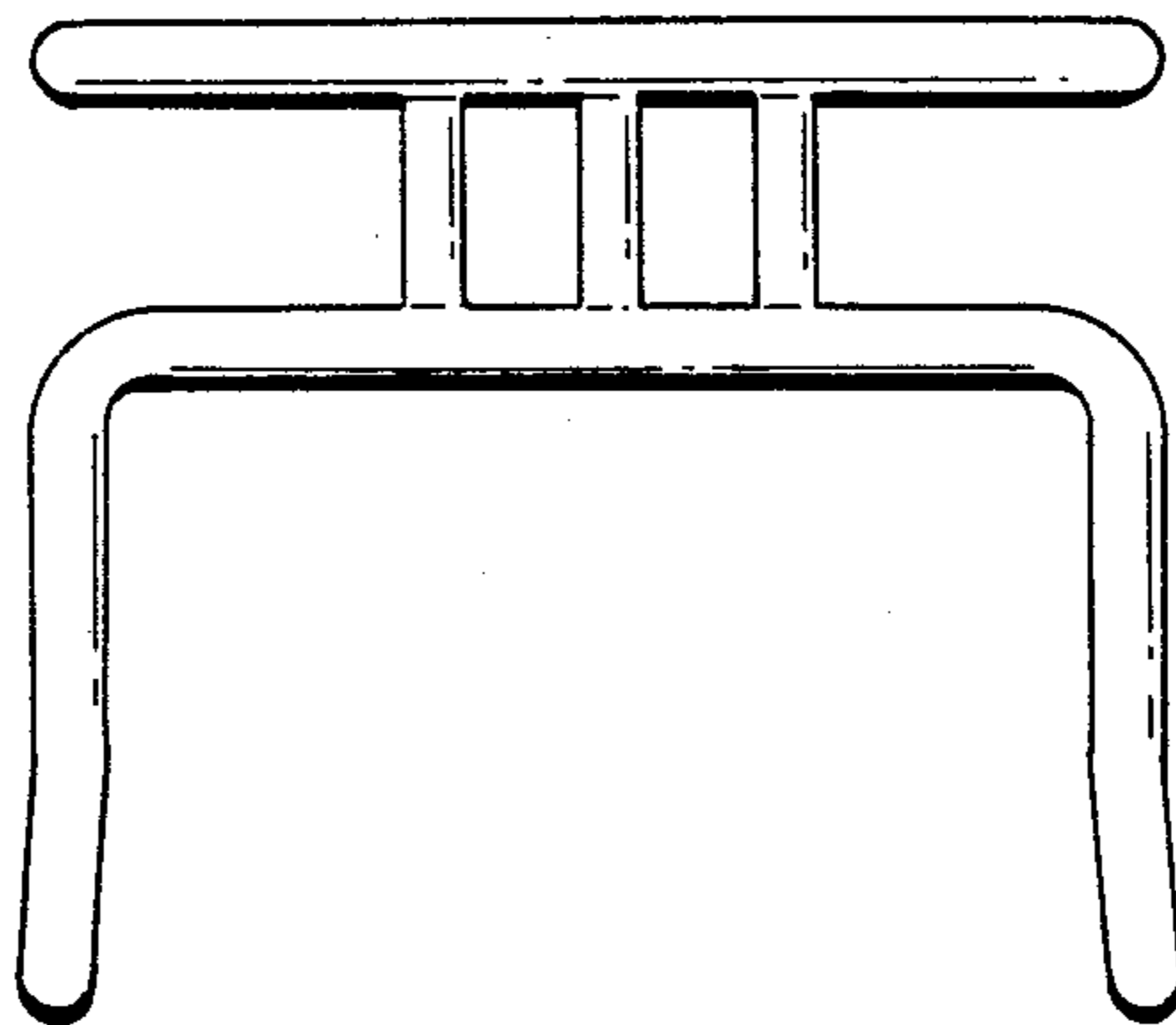


FIG. 4

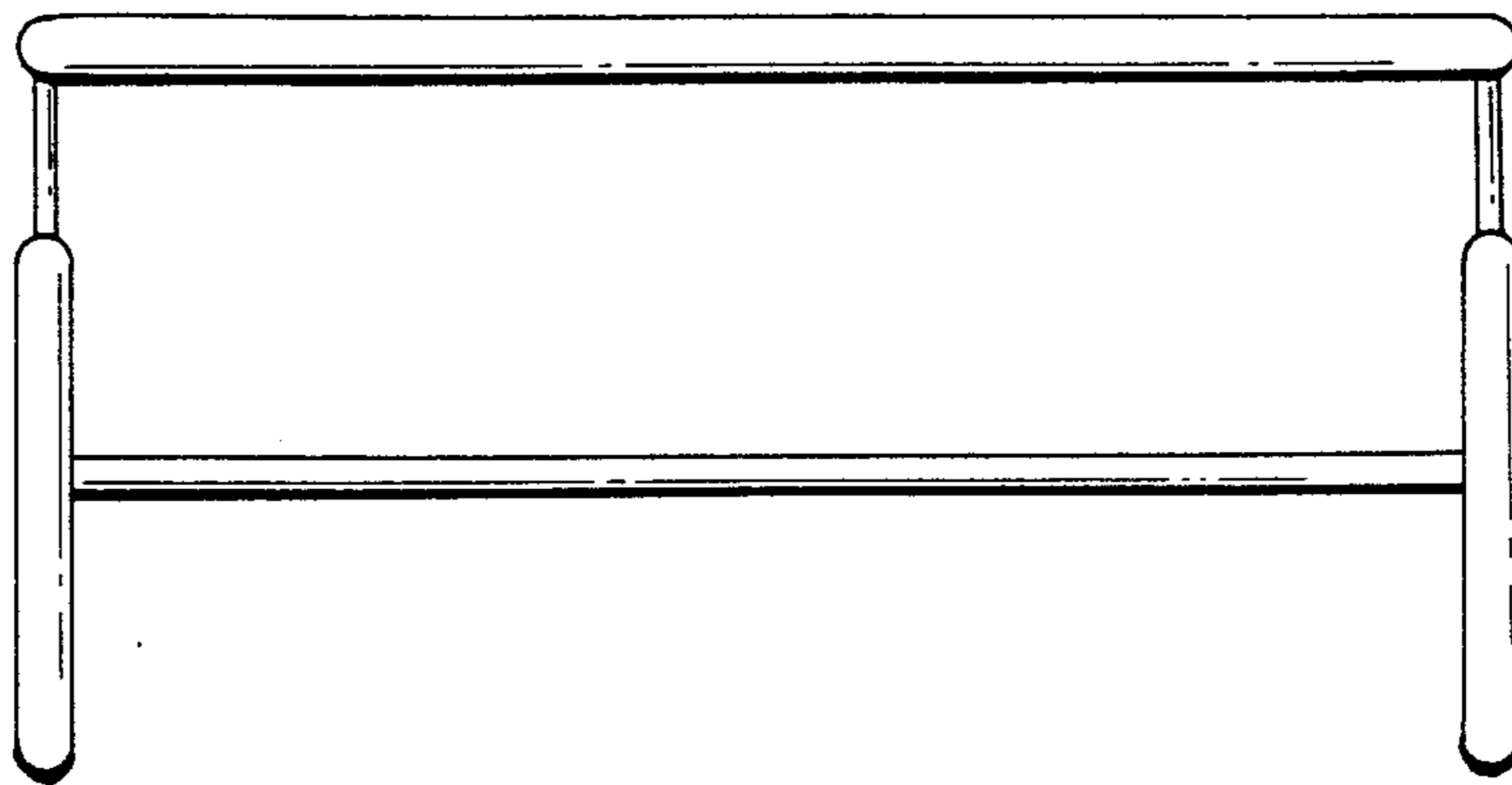


FIG. 5