

[54] VENTED PIERCING PIN FOR I.V. CONTAINERS

[75] Inventor: Kenneth C. Raines, Bethlehem, Pa.

[73] Assignee: Burrton Medical Inc., Bethlehem, Pa.

[\*\*] Term: 14 Years

[21] Appl. No.: 681,304

[22] Filed: Dec. 13, 1984

[52] U.S. Cl. .... D24/52

[58] Field of Search ..... D24/53, 52, 24; 604/405, 411, 251, 254, 127, 325; 222/420

[56] References Cited

U.S. PATENT DOCUMENTS

D. 229,518	12/1973	Bujan	.....	D24/24
3,662,752	5/1972	Yokoyama	.....	604/411
3,851,668	12/1974	Benjamin	.....	604/251

3,938,520 2/1976 Scislowicz et al. .... 604/405

OTHER PUBLICATIONS

Pharmaceutical Sciences, ©1980-publication, p. 1490.

Primary Examiner—A. Hugo Word

Assistant Examiner—Stella M. Reid

Attorney, Agent, or Firm—Shoemaker and Mattare, Ltd.

[57] CLAIM

The ornamental design for a vented piercing pin for I.V. containers, substantially as shown and described.

DESCRIPTION

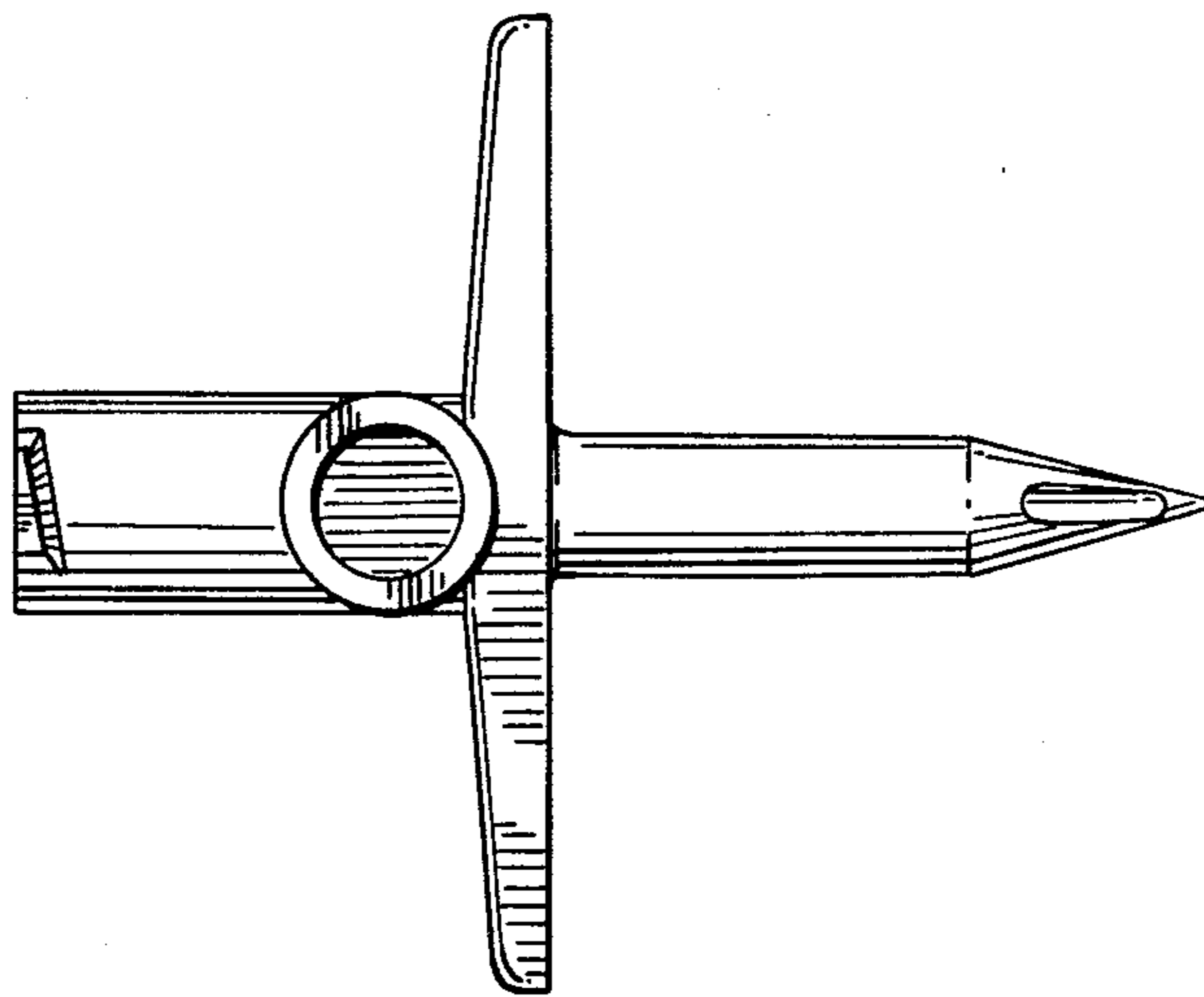
FIG. 1 is a right side elevational view of a vented piercing pin for I.V. containers showing my new design;

FIG. 2 is a front elevational view thereof;

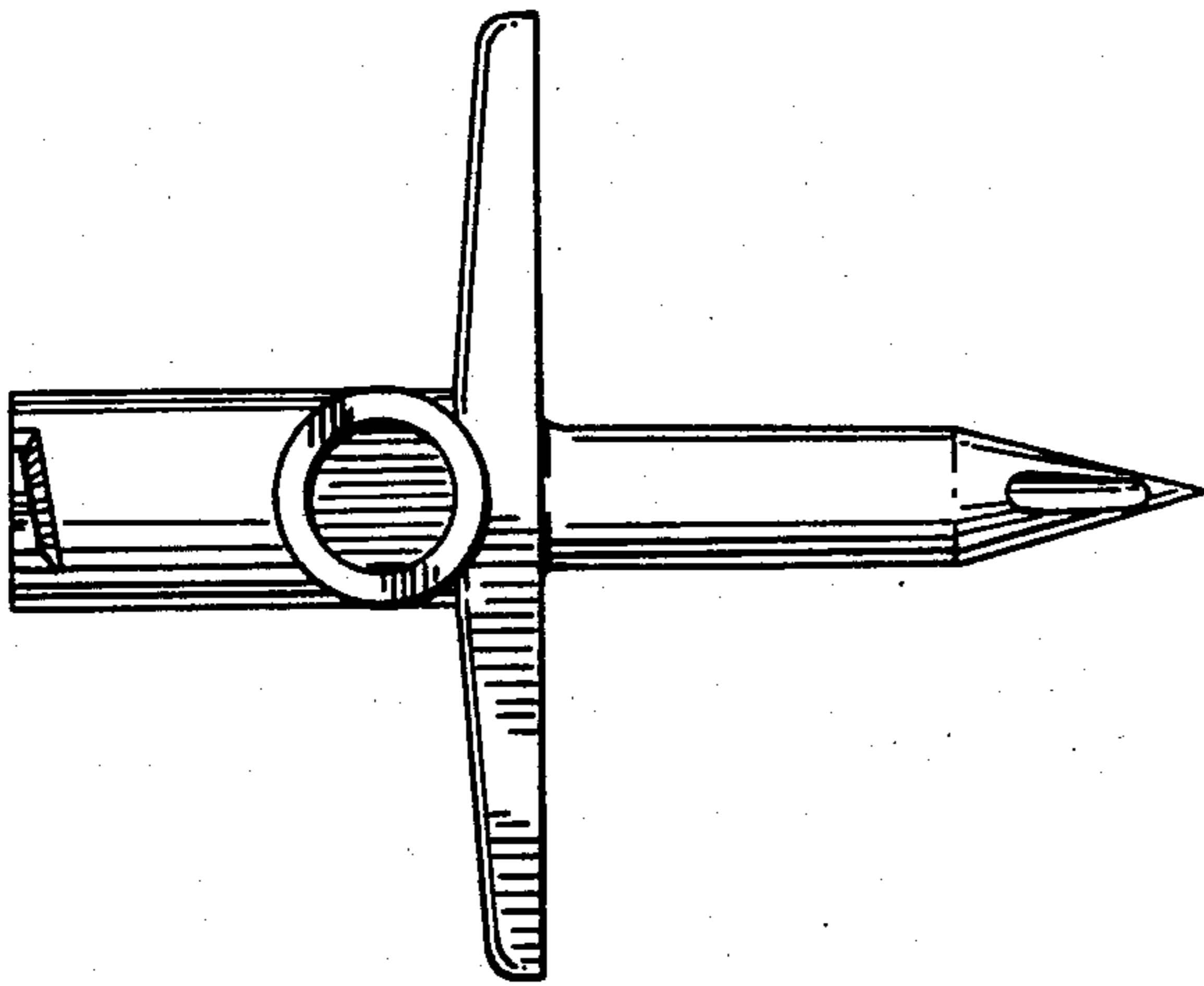
FIG. 3 is a top plan view thereof, the bottom view being a mirror image thereof;

FIG. 4 is a left side elevational view thereof; and

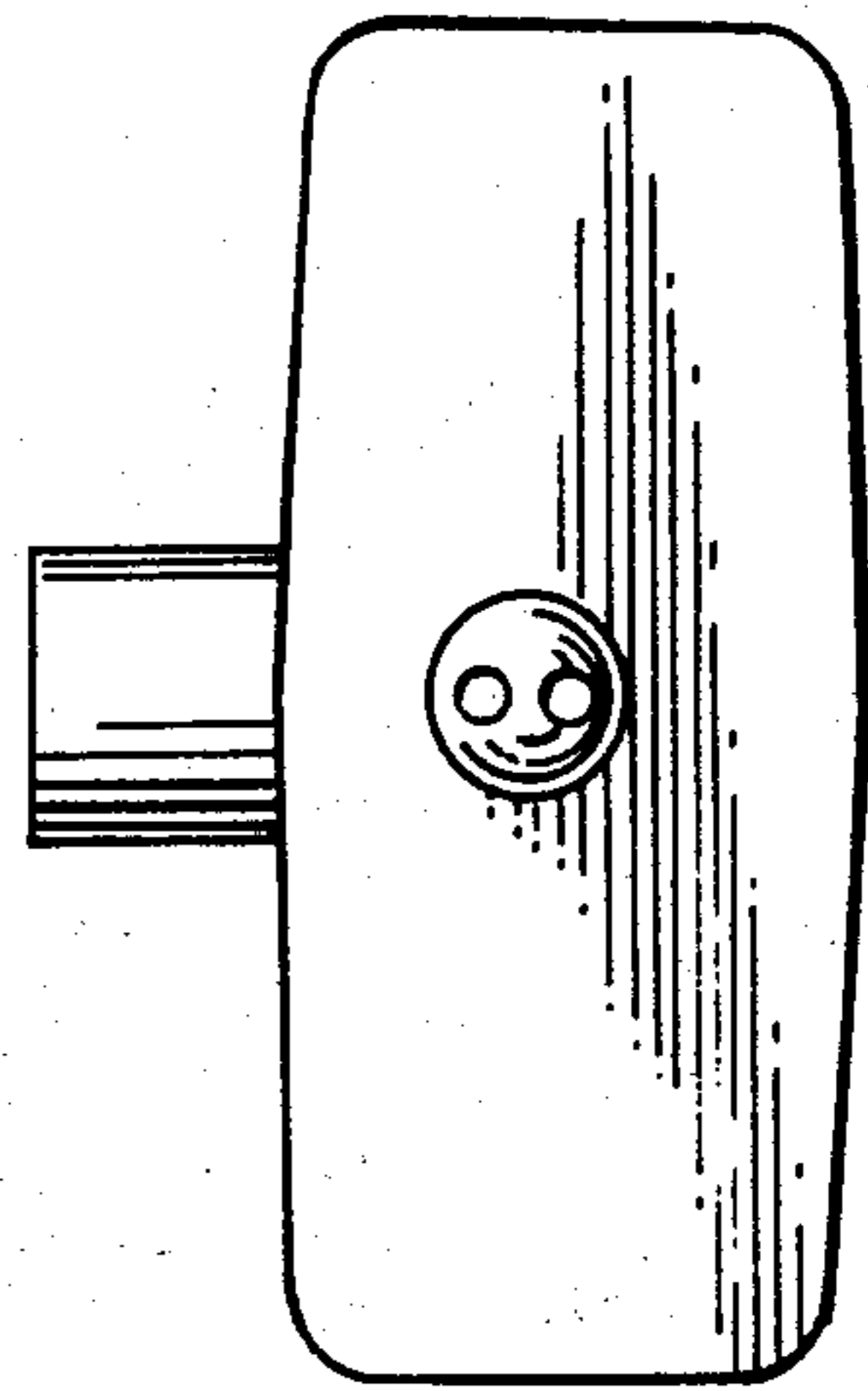
FIG. 5 is a rear elevational view thereof.



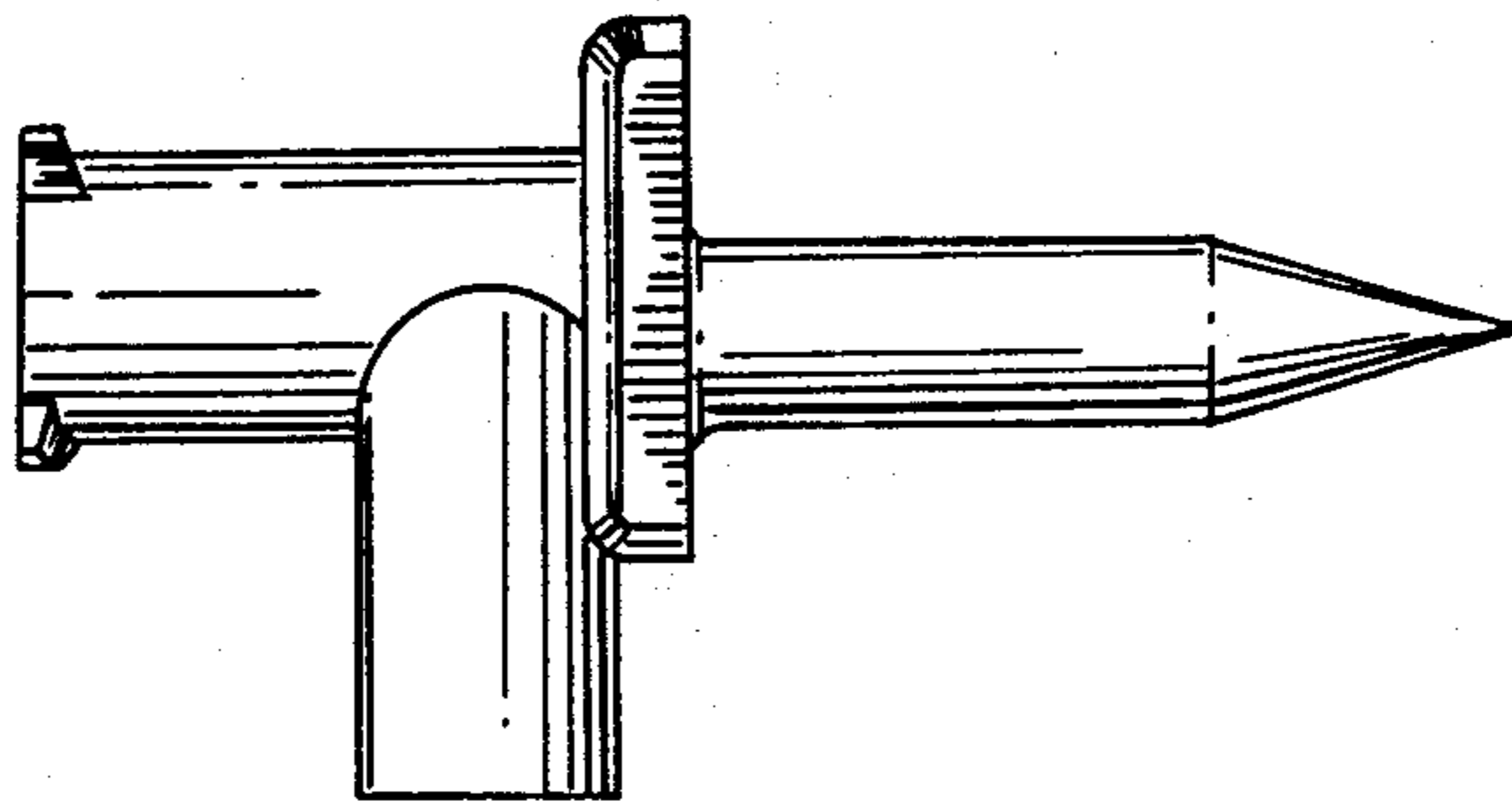
**FIG. 1.**



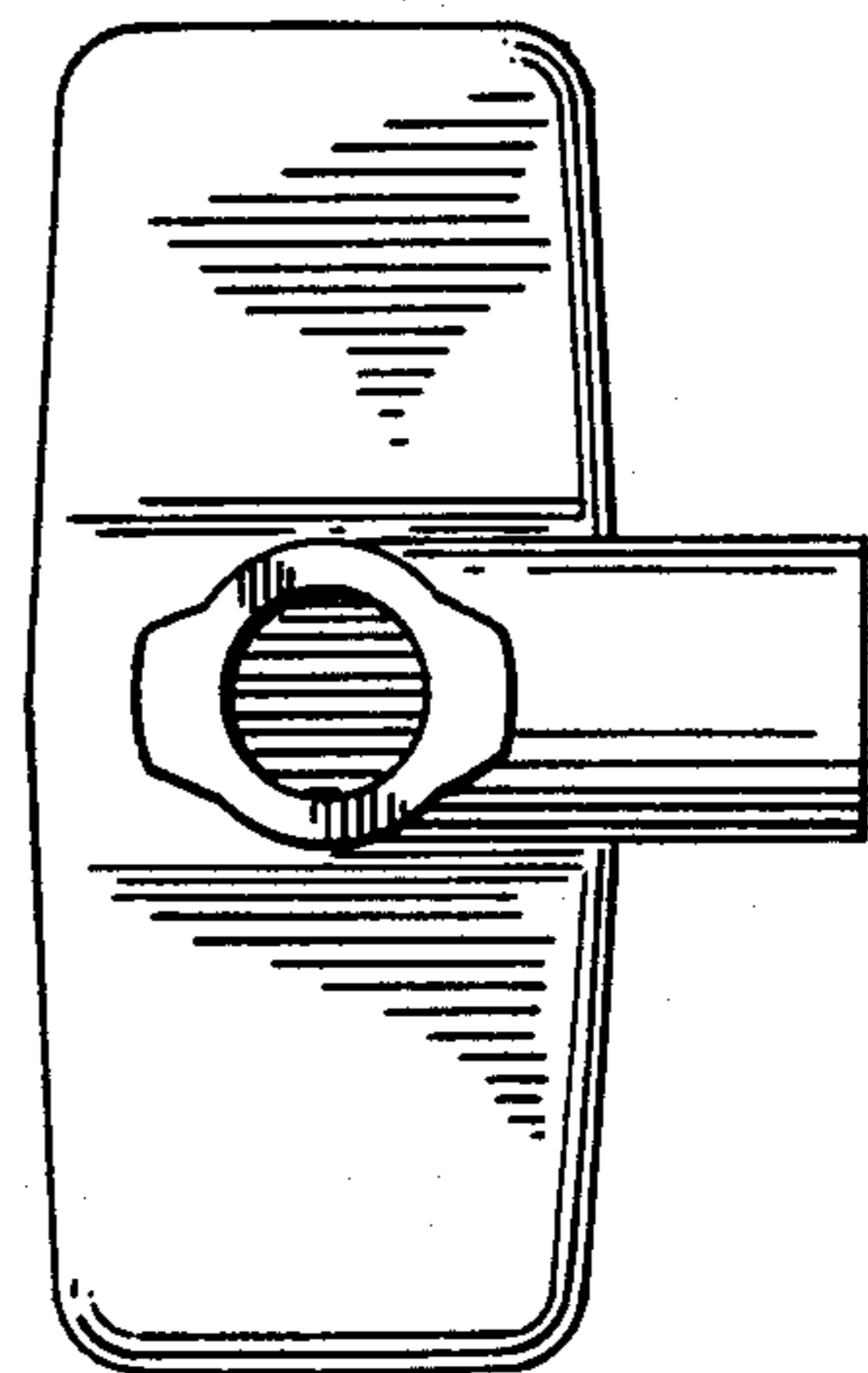
**FIG. 2.**



**FIG. 3.**



**FIG. 5.**



**FIG. 4.**

