

[54] INDUSTRIAL FAN

[75] Inventor: Jacques Delmas, Quincy/Senart, France

[73] Assignee: Etudes Techniques et Représentations Industrielles ETRI, Neuilly sur Seine, France

[**] Term: 14 Years

[21] Appl. No.: 746,581

[22] Filed: Jun. 19, 1985

[30] Foreign Application Priority Data

Feb. 1, 1985 [FR] France 850434

[52] U.S. Cl. D23/162

[58] Field of Search D23/139, 155, 158, 161-163; 98/40.18, 40.19, 42.01, 42.02, 42.07, 42.13, 42.23, 94.1; 415/72-73, 12 G, 203, 206, 219 A, 219 R, 219 B, 219 C; 417/410

[56] References Cited

U.S. PATENT DOCUMENTS

D. 34,883 7/1901 Keiper D23/162
D. 239,939 5/1976 Whitbread D23/151

OTHER PUBLICATIONS

Grainger's Catalogue, Spring 1974, p. 536, High-Pressure Direct-Drive Blower.

Primary Examiner—Wallace R. Burke

Assistant Examiner—Brian N. Vinson

Attorney, Agent, or Firm—Young & Thompson

[57] CLAIM

The ornamental design for an industrial fan, as shown and described.

DESCRIPTION

FIG. 1 is a front elevational view of an industrial fan showing my new design;

FIG. 2 is a rear elevational view thereof;

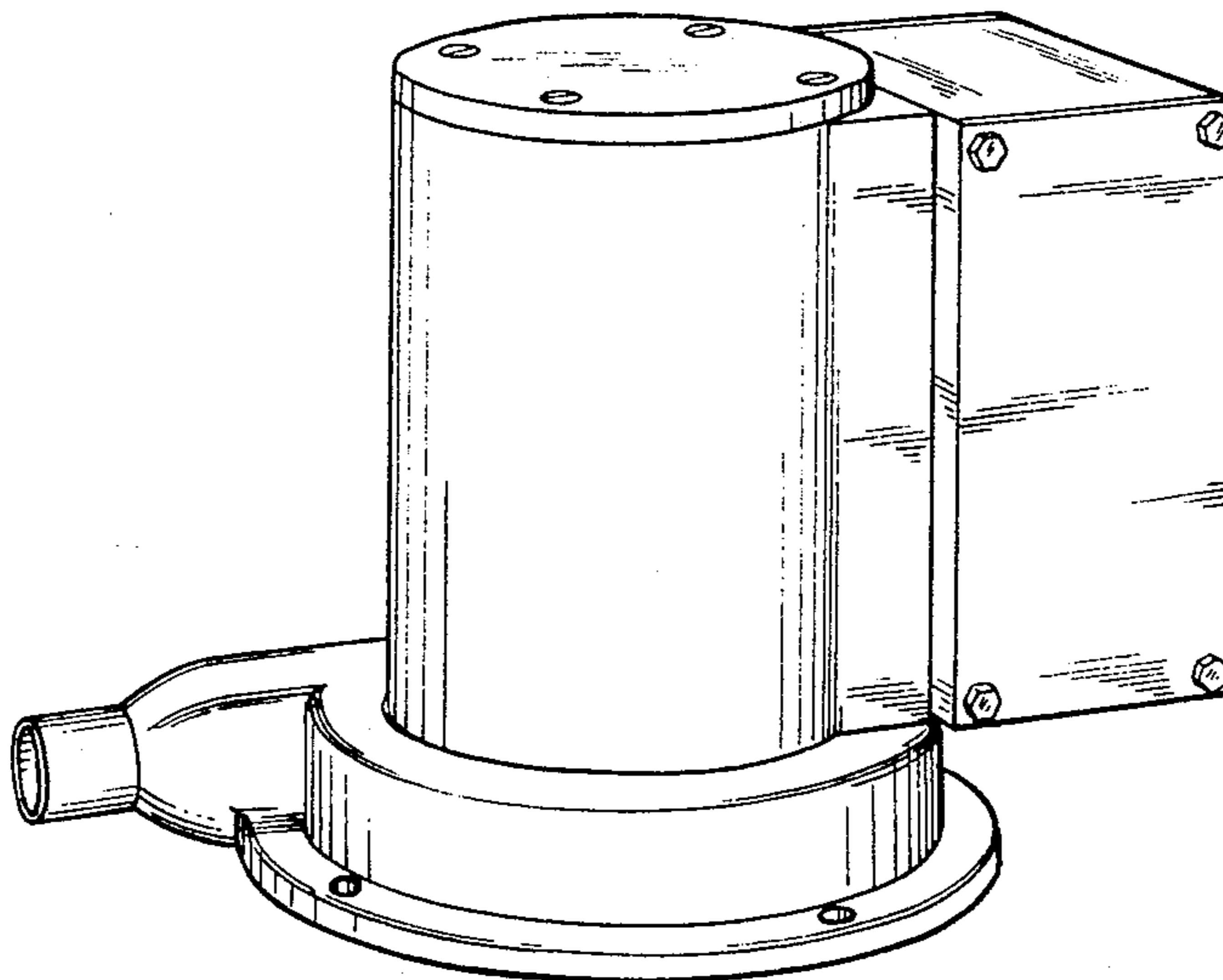
FIG. 3 is a left side elevational view thereof;

FIG. 4 is a right side elevational view thereof;

FIG. 5 is a top plan view thereof;

FIG. 6 is a bottom plan view thereof; and

FIG. 7 is a top, front perspective view thereof.



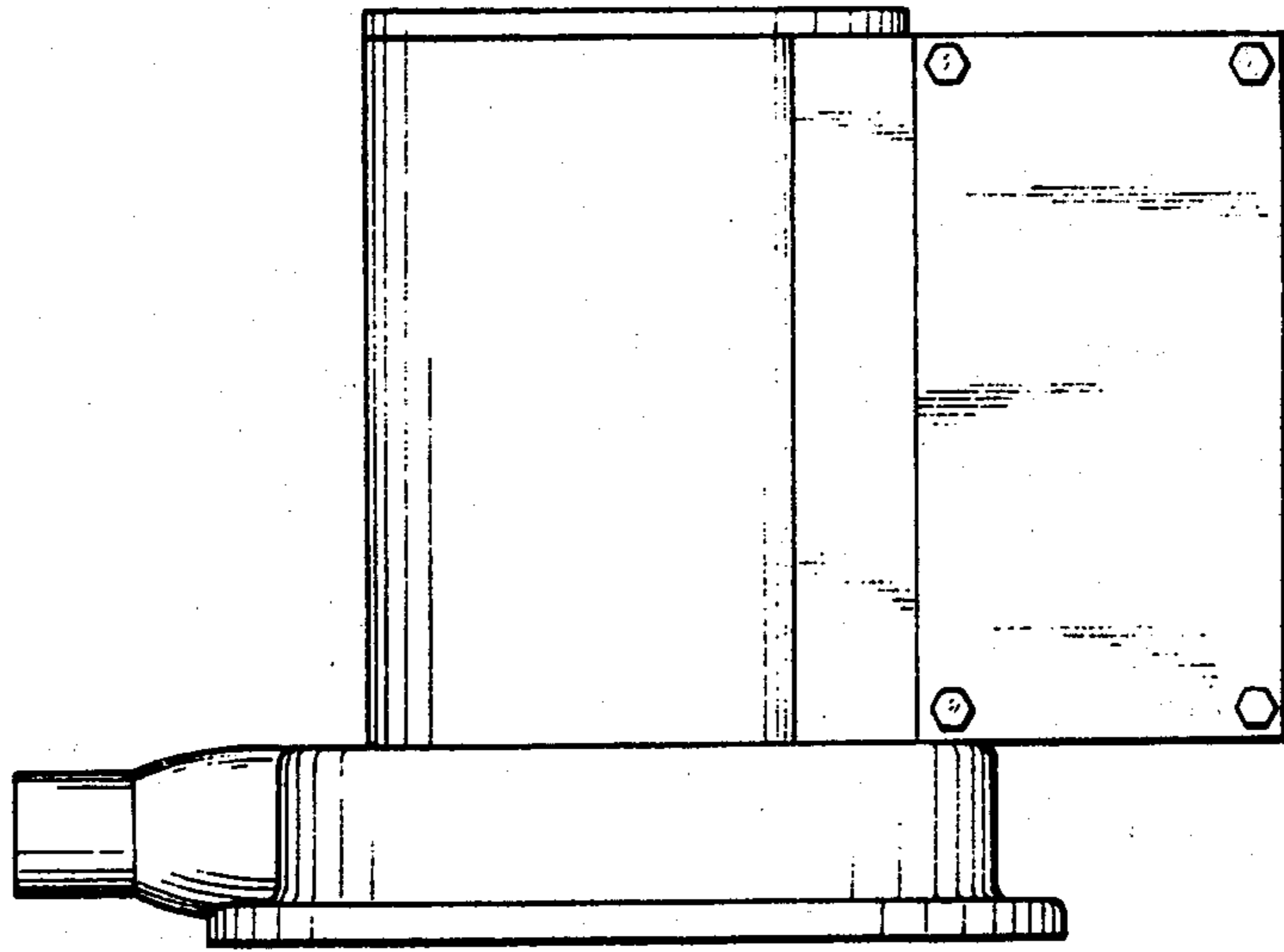


FIG. 1

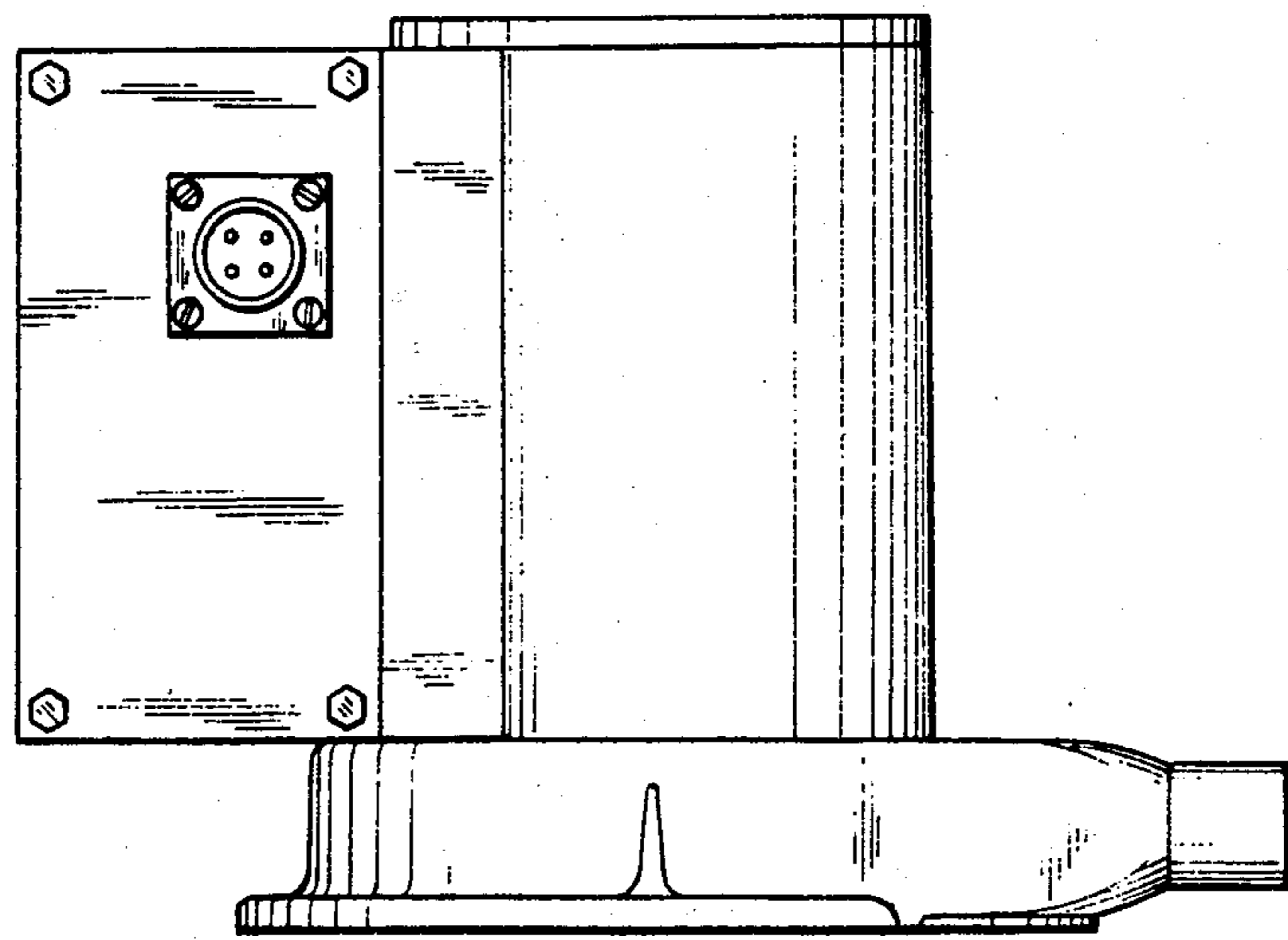


FIG. 2

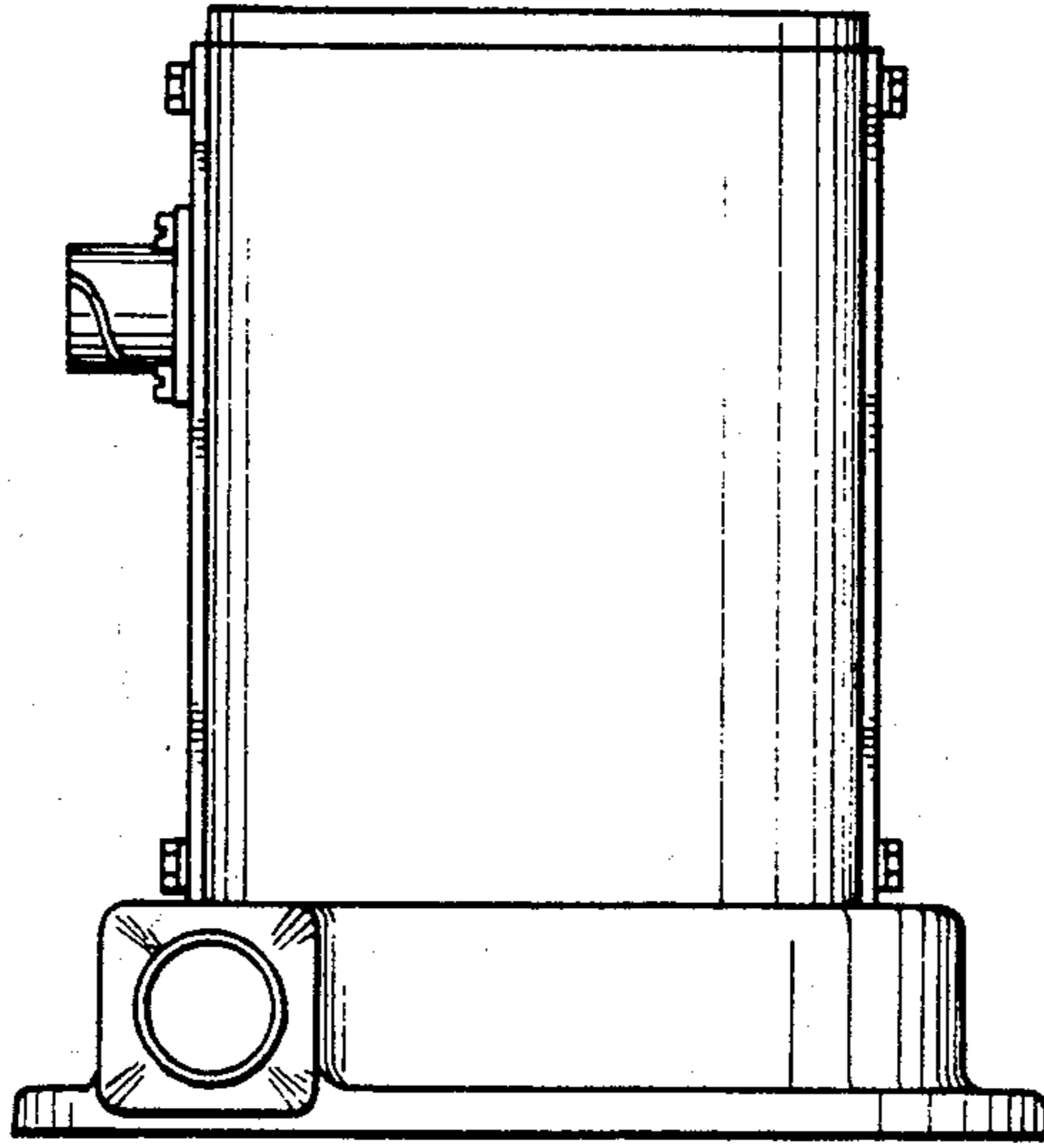


FIG. 3

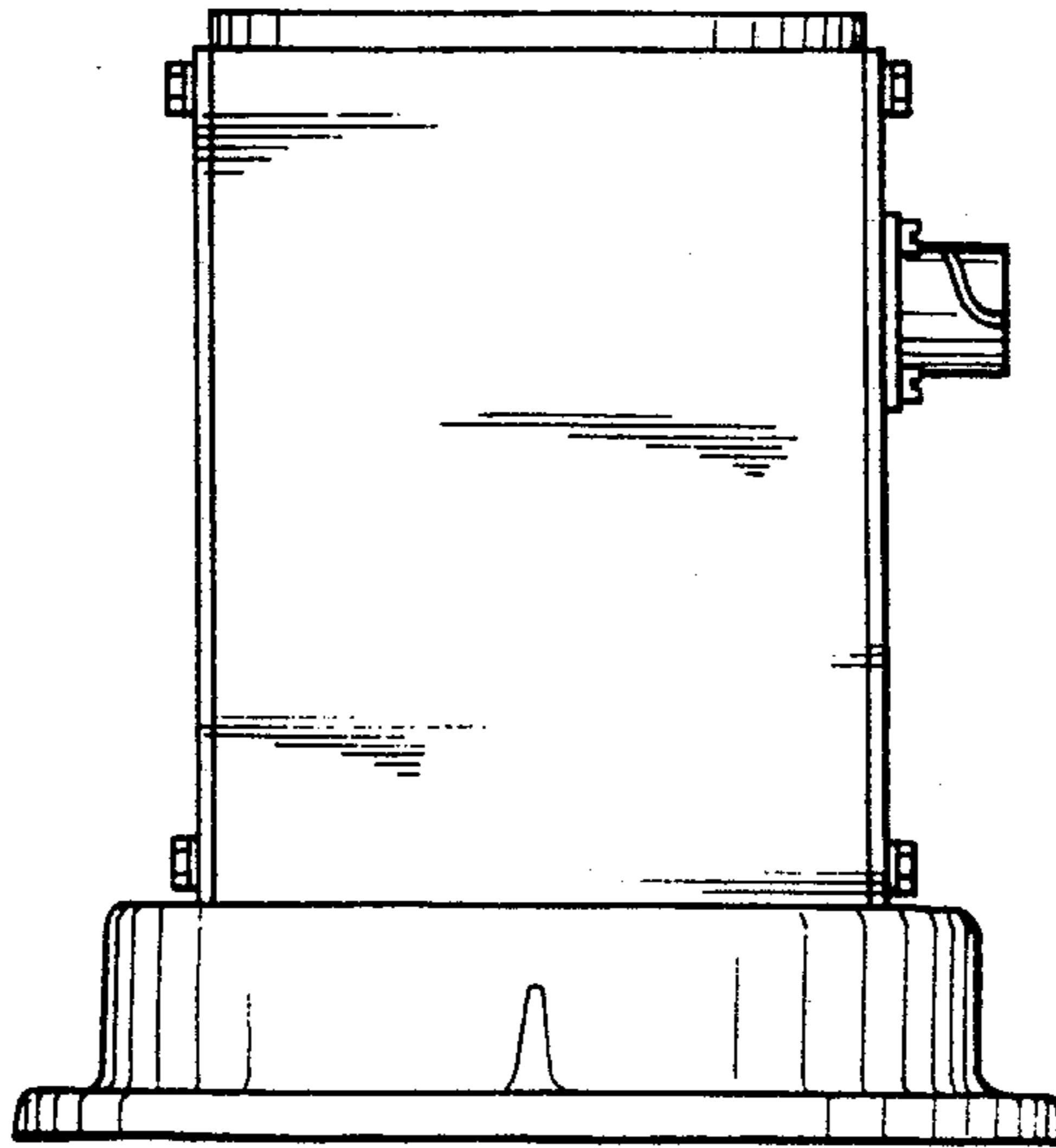


FIG. 4

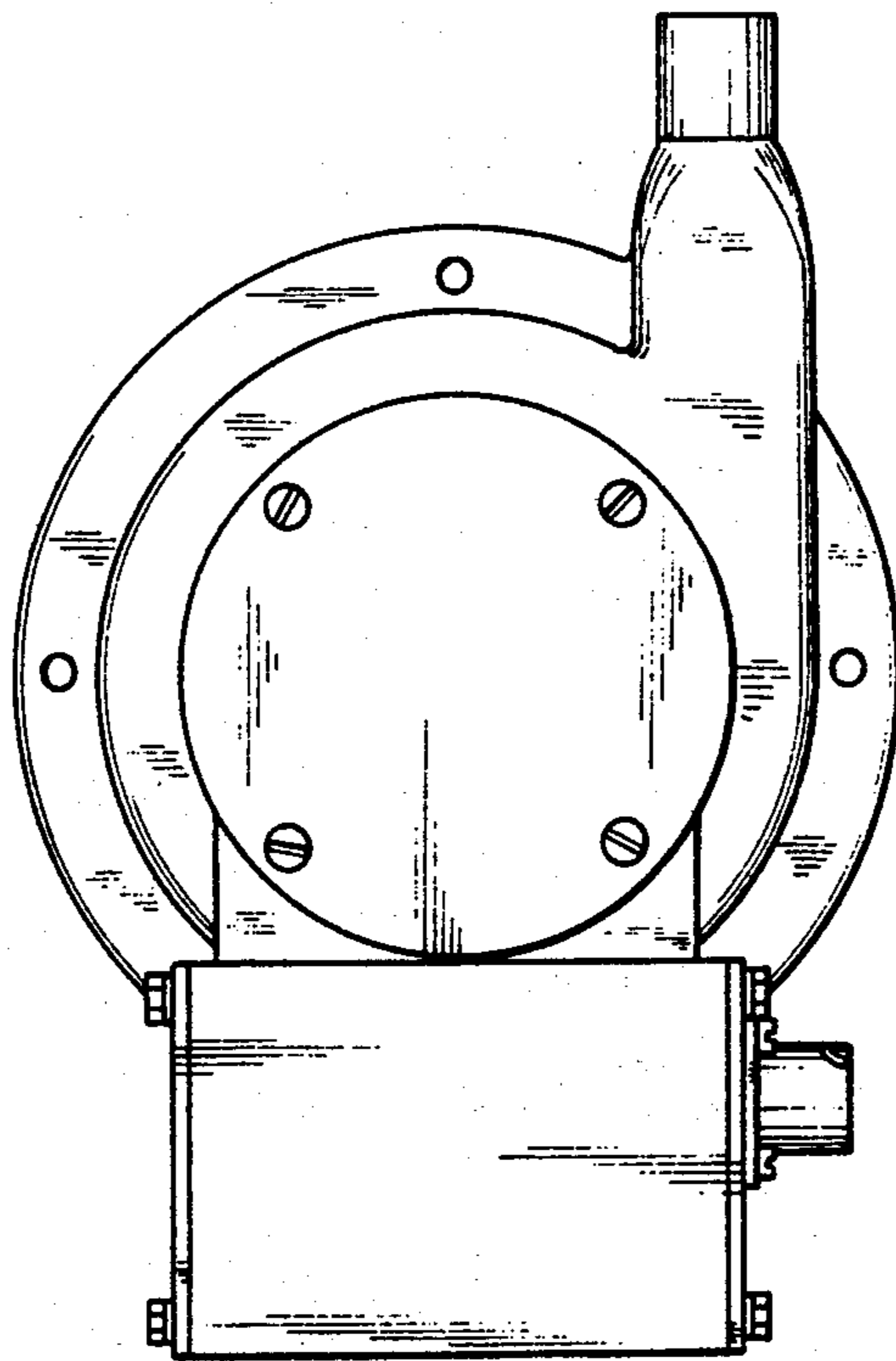


FIG. 5

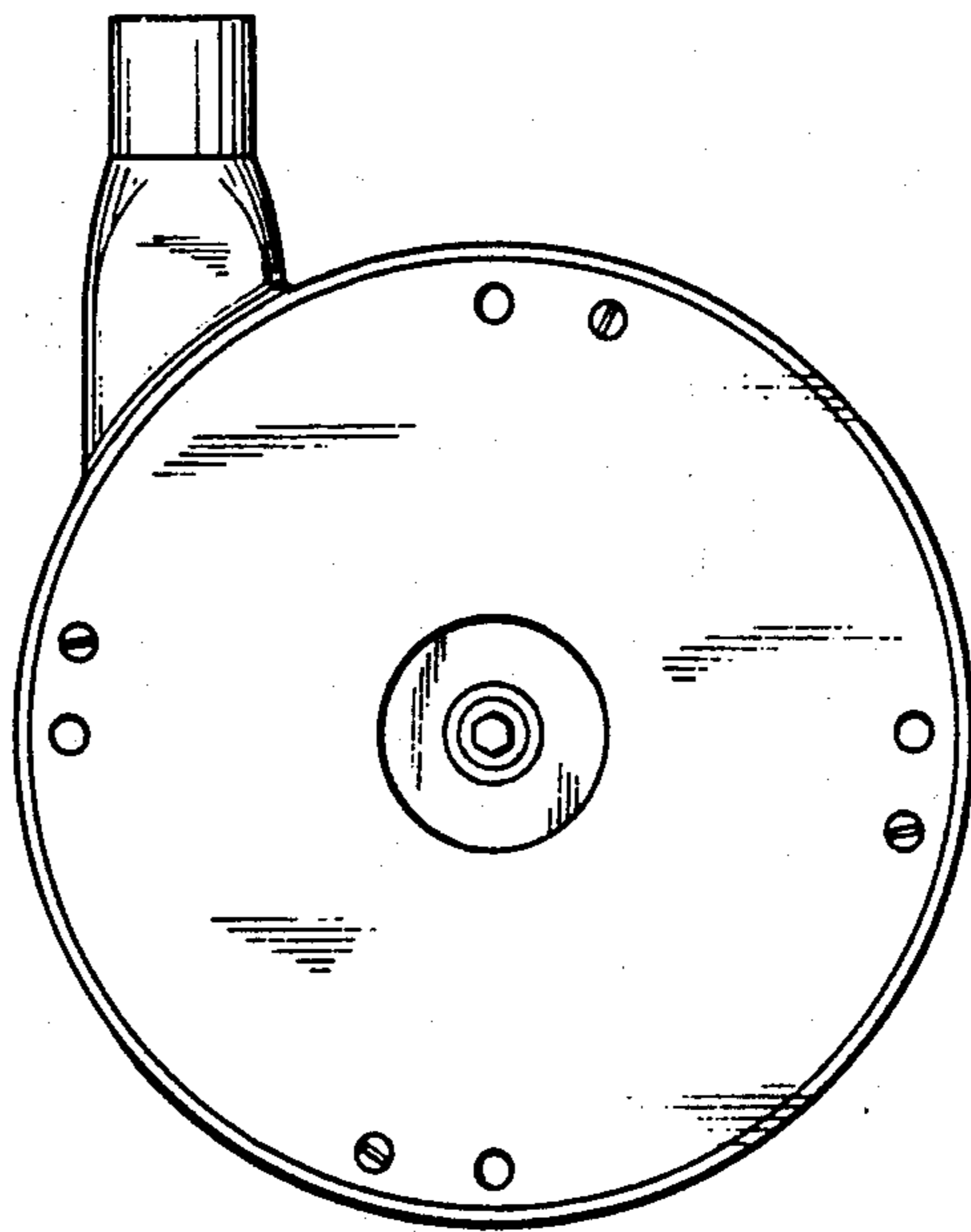


FIG. 6

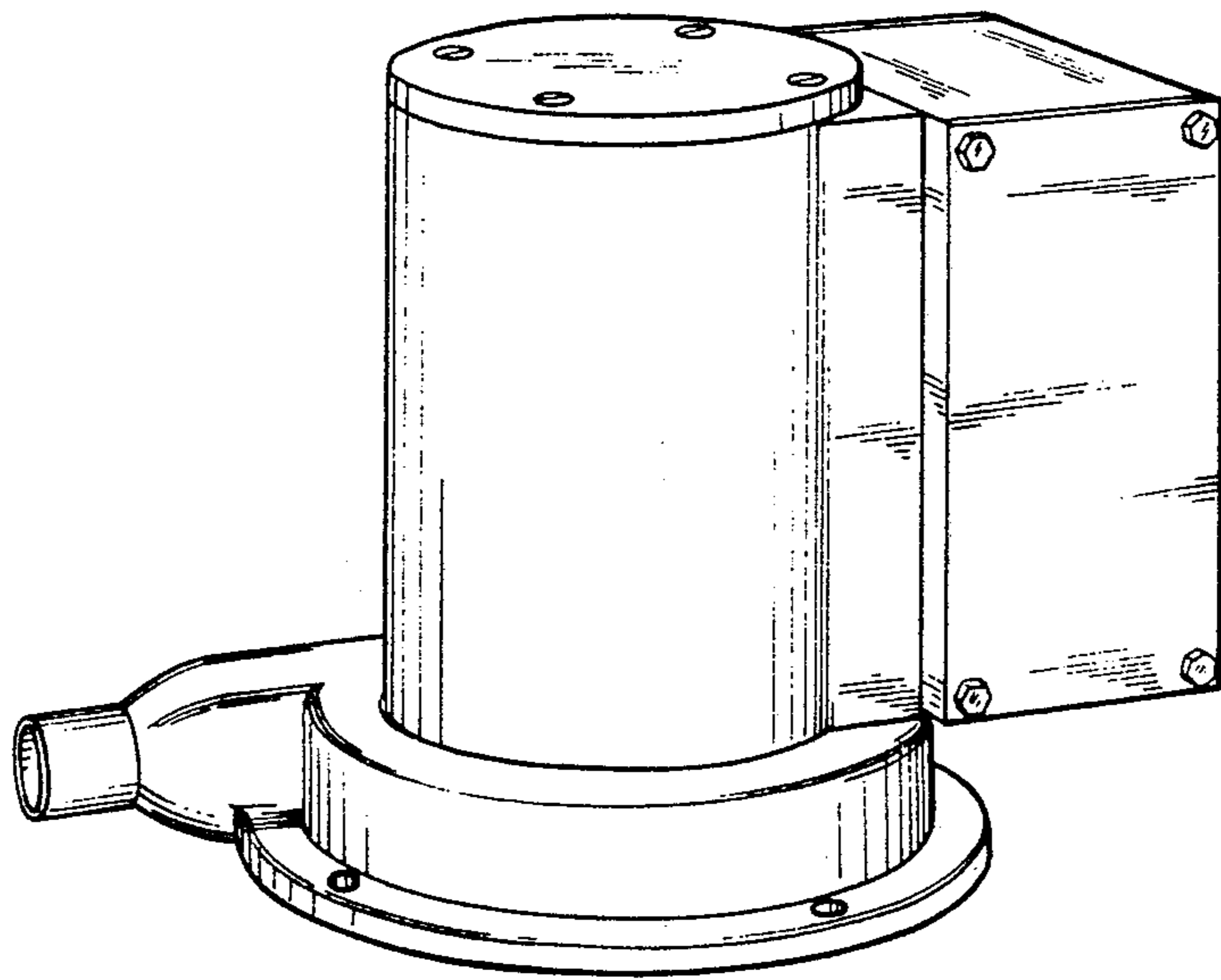


FIG. 7