

[54] CROSS TEE PIPE FITTING

[75] Inventors: Efrain D. Vassallo; Jose E. Valls, both of Ponce, P.R.

[73] Assignee: Vassallo Research and Development Corporation, Ponce, P.R.

[**] Term: 14 Years

[21] Appl. No.: 711,108

[22] Filed: Mar. 13, 1985

[52] U.S. Cl. D23/45

[58] Field of Search D23/40-47; 285/150, 156, 177, 179, 231, 345, 369, 383, 423

[56] References Cited

U.S. PATENT DOCUMENTS

D. 135,633	5/1943	Stark et al.	D23/45
D. 135,634	5/1943	Stark et al.	D23/45
D. 137,384	2/1944	Corley	D23/45
865,497	9/1907	Kenyon	285/345 X
2,121,558	6/1938	Coe et al.	D23/43 X
3,064,983	11/1962	Halterman	285/345 X

3,582,113	6/1971	Cauthery	285/345 X
3,592,491	7/1971	Glover	285/345 X
3,791,679	2/1974	Glover	285/156 X
4,130,302	12/1978	Mitchell et al.	285/156 X
4,223,896	9/1980	Strom	285/231 X
4,343,480	8/1982	Vassallo	277/207 A
4,368,894	1/1983	Parmann	285/231 X
4,371,179	2/1983	Bohman	285/231 X
4,637,618	1/1987	Valls	277/152

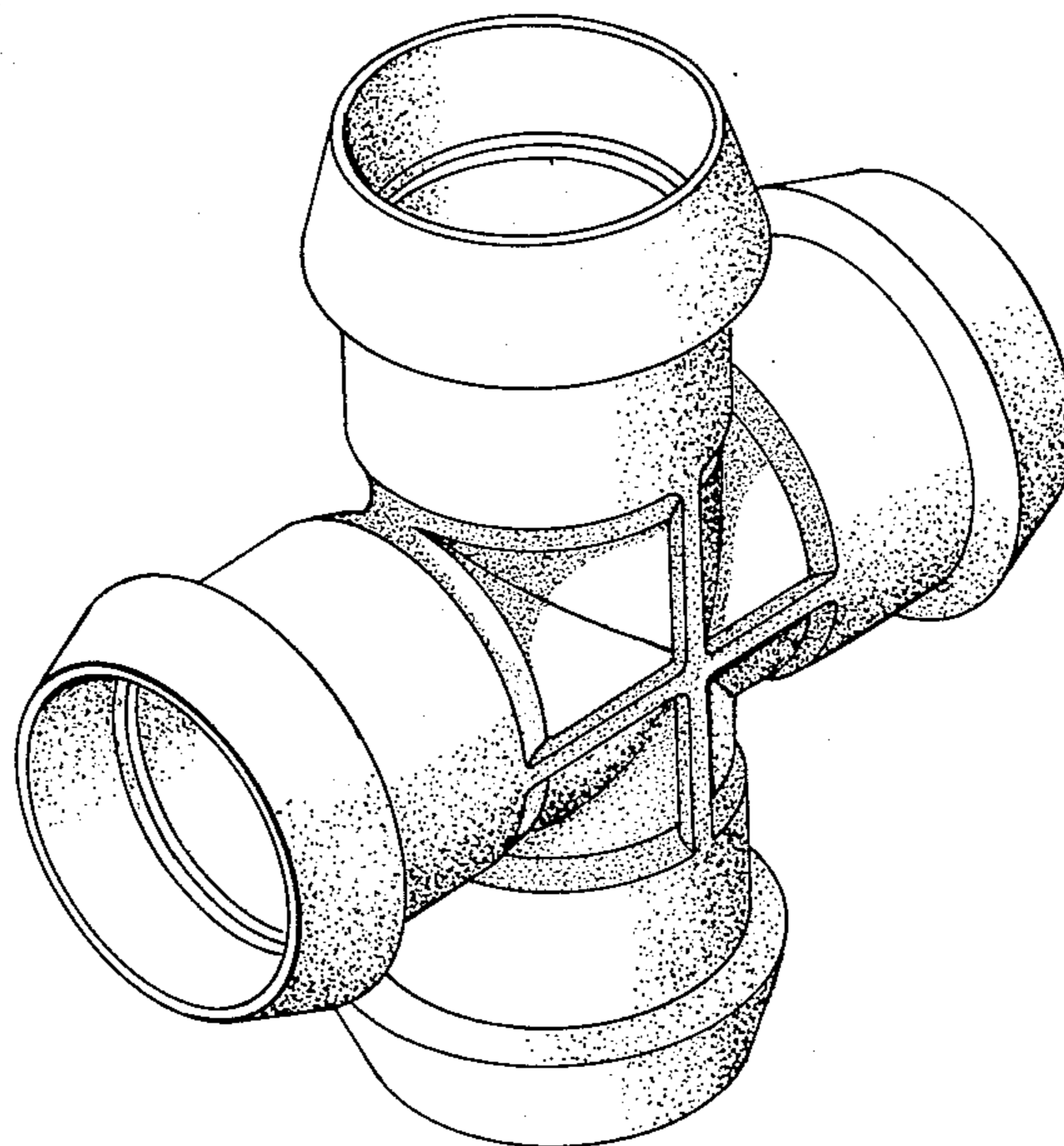
Primary Examiner—James R. Largen
Attorney, Agent, or Firm—Steele, Gould & Fried

[57] CLAIM

The ornamental design for a cross tee pipe fitting, as shown and described.

DESCRIPTION

FIG. 1 is a perspective view of a cross tee pipe fitting showing our new design;
FIG. 2 is a top plan view thereof, the bottom, right and left sides being the same as the top shown; and
FIG. 3 is a front elevational view thereof, the rear being the same as the front shown.



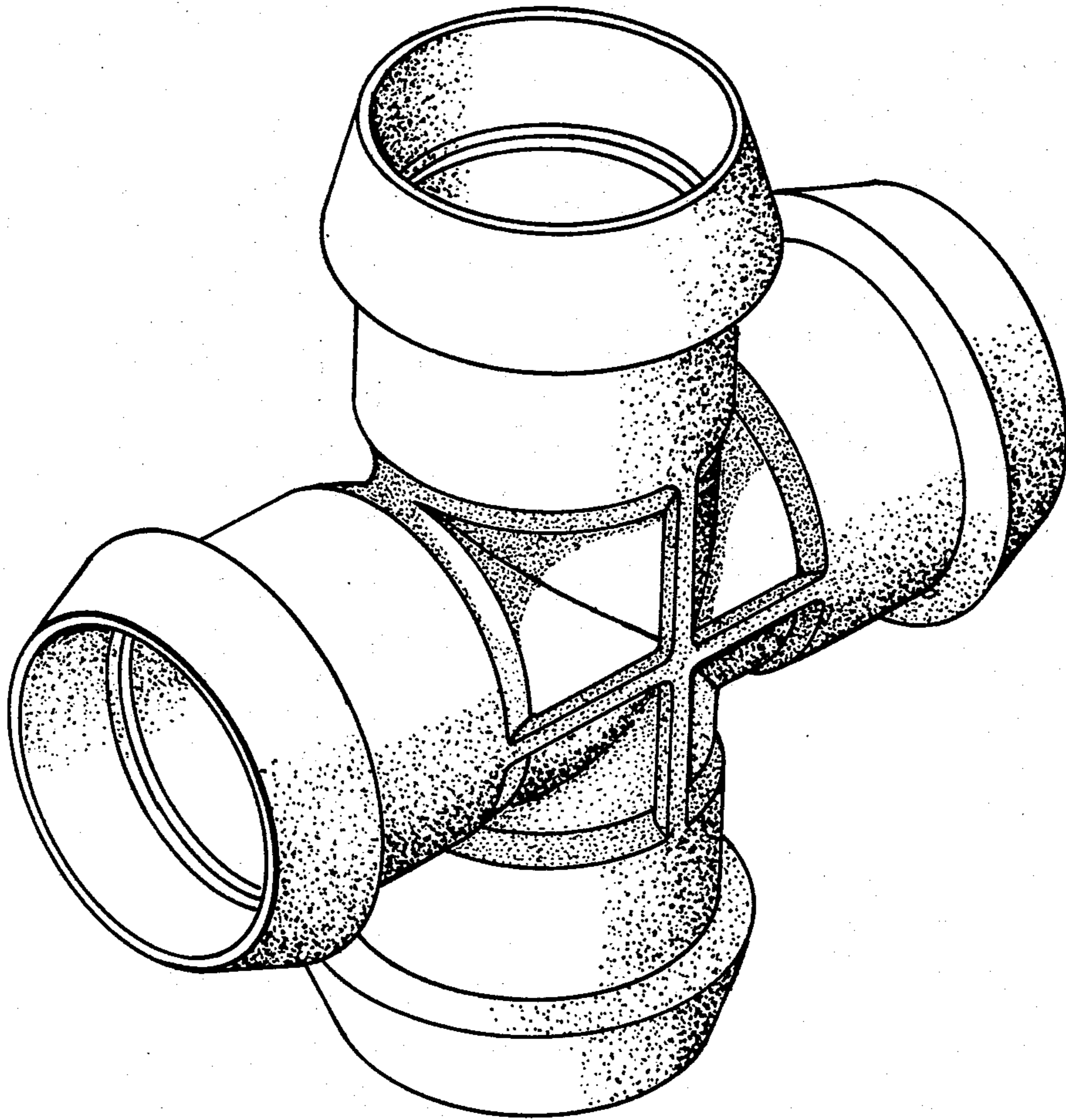


FIG. 1

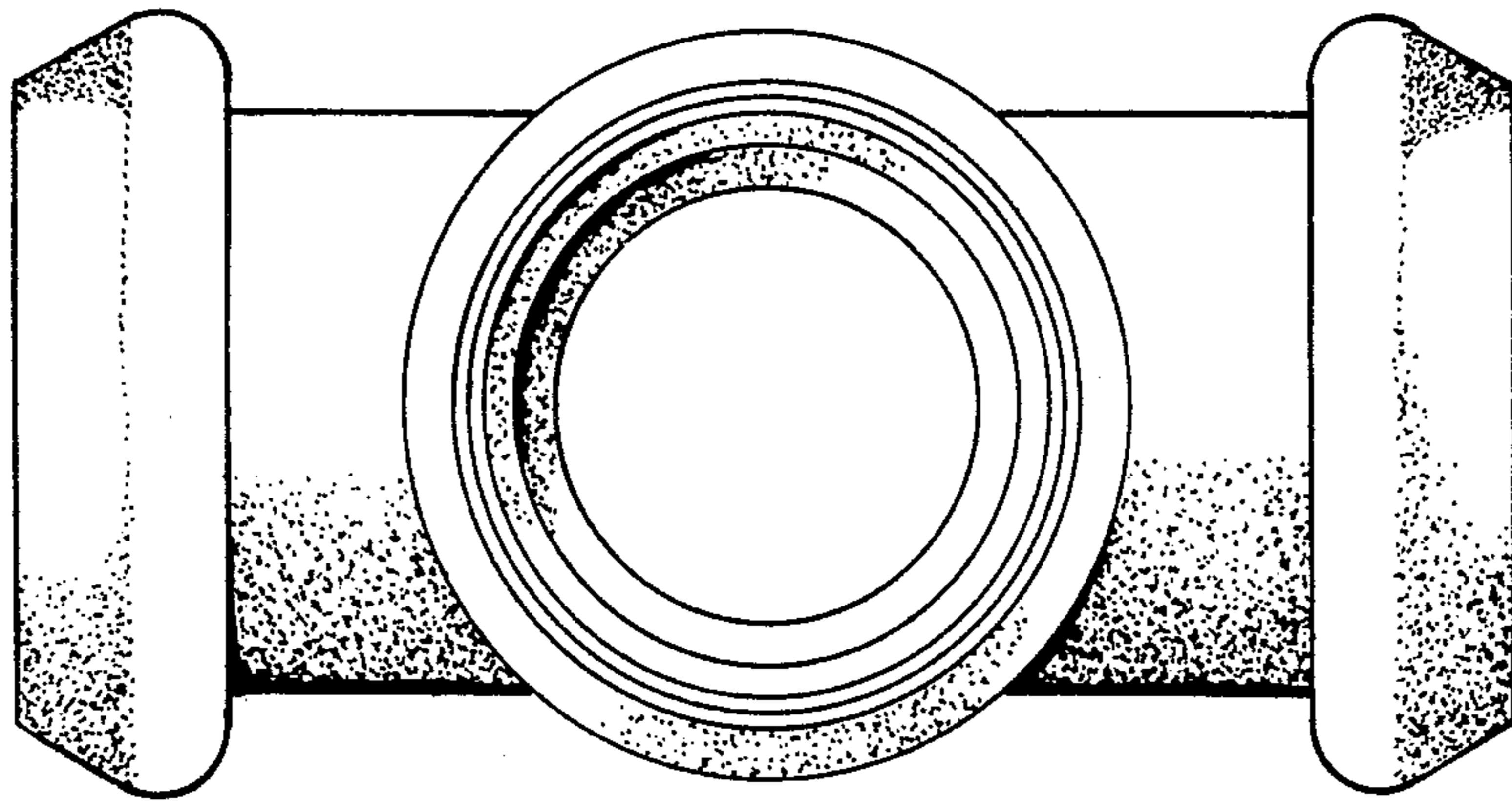


FIG. 2

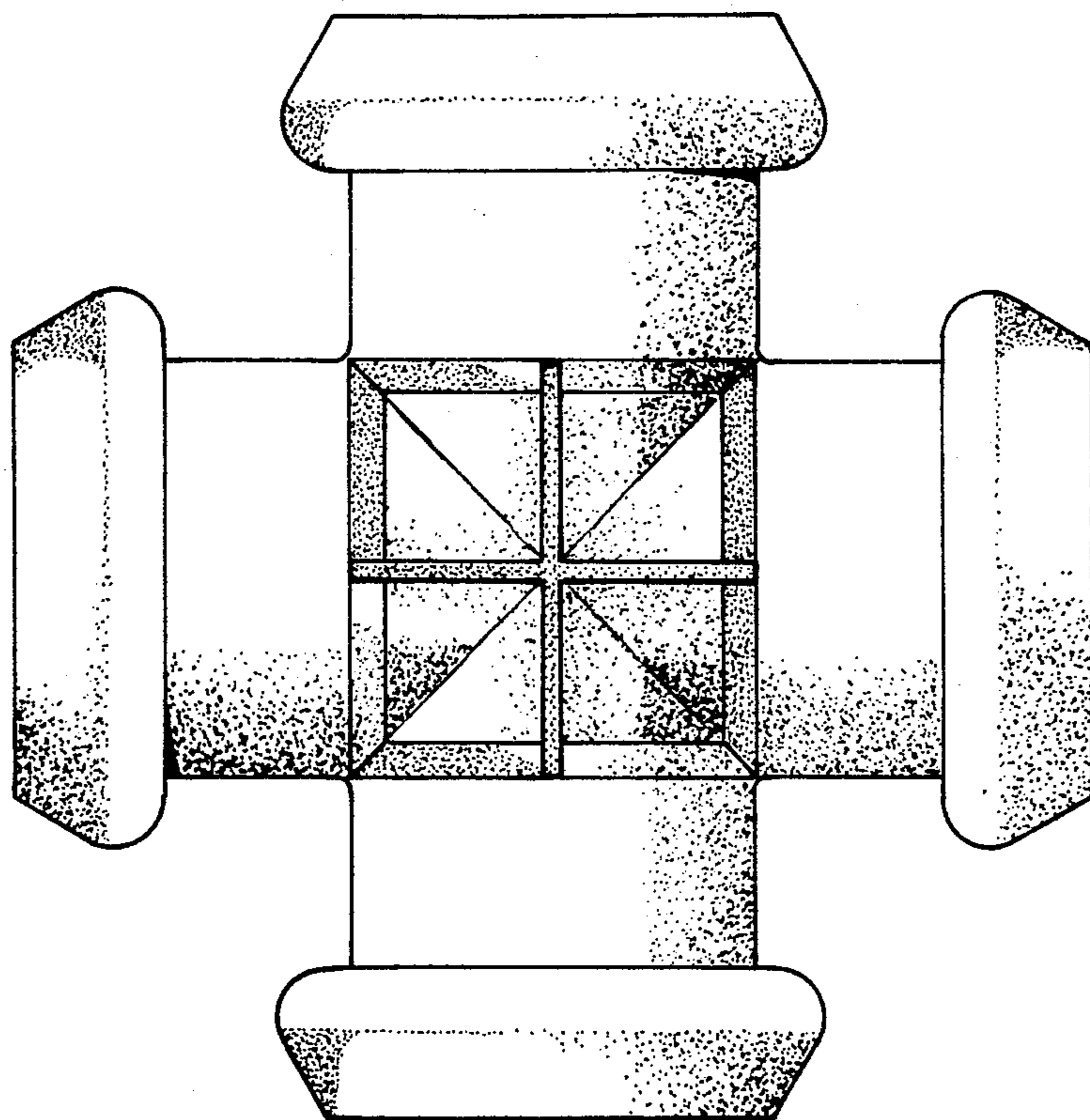


FIG. 3