

[54] ELBOW PIPE FITTING

[75] Inventors: Efrain D. Vassallo; Jose E. Valls, both of Ponce, P.R.

[73] Assignee: Vassallo Research and Development Corporation, Ponce, P.R.

[\*\*] Term: 14 Years

[21] Appl. No.: 700,138

[22] Filed: Feb. 11, 1985

[52] U.S. Cl. .... D23/43

[58] Field of Search ..... D23/40-47; 285/150, 156, 177, 179, 231, 345, 369, 383, 423

[56] References Cited

U.S. PATENT DOCUMENTS

D. 135,633	5/1943	Stark et al. ....	D23/45
D. 135,634	5/1943	Stark et al. ....	D23/45
D. 137,384	2/1944	Corley .....	D23/45
865,497	9/1907	Kenyon .....	285/345 X
2,121,558	6/1938	Coe et al. ....	D23/43 X
3,064,983	11/1962	Halterman .....	285/345 X
3,582,113	6/1971	Cauthery .....	285/345 X

3,592,491	7/1971	Glover .....	285/345 X
3,791,679	2/1974	Glover .....	285/156 X
4,130,302	12/1978	Mitchell et al. ....	285/156 X
4,223,896	9/1980	Strom .....	285/231 X
4,343,480	8/1982	Vassallo .....	277/207 A
4,368,894	1/1983	Parmann .....	285/231 X
4,371,179	2/1983	Bohman .....	285/231 X
4,637,618	1/1987	Valls .....	277/152

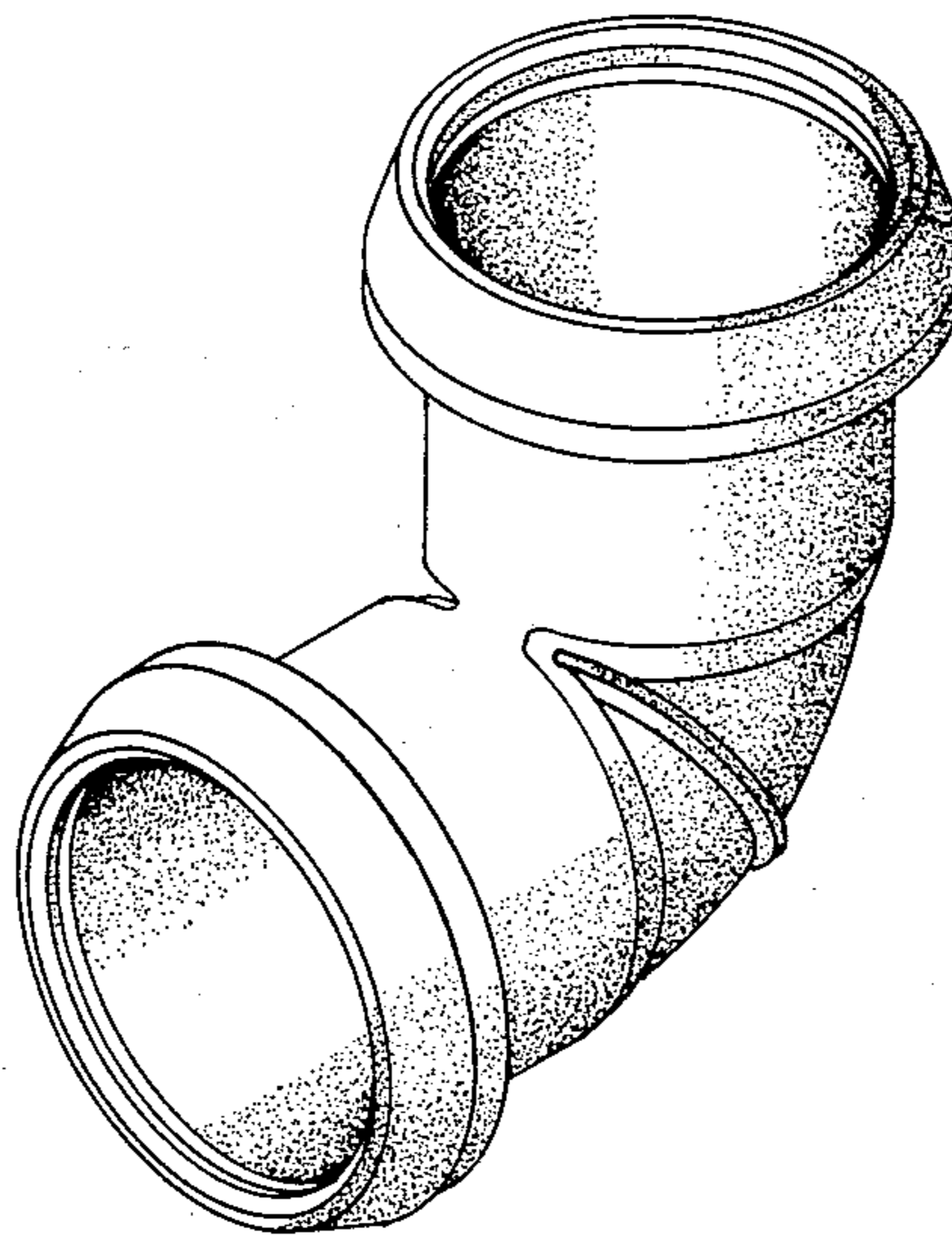
Primary Examiner—James R. Largen  
Attorney, Agent, or Firm—Steele, Gould & Fried

[57] CLAIM

The ornamental design for an elbow pipe fitting, as shown and described.

DESCRIPTION

FIG. 1 is a perspective view of an elbow pipe fitting showing our new design;  
FIG. 2 is a top plan view thereof;  
FIG. 3 is a right side elevational view thereof;  
FIG. 4 is a front elevational view thereof;  
FIG. 5 is a rear elevational view thereof;  
FIG. 6 is a bottom plan view thereof; and  
FIG. 7 is a left side elevational view thereof.



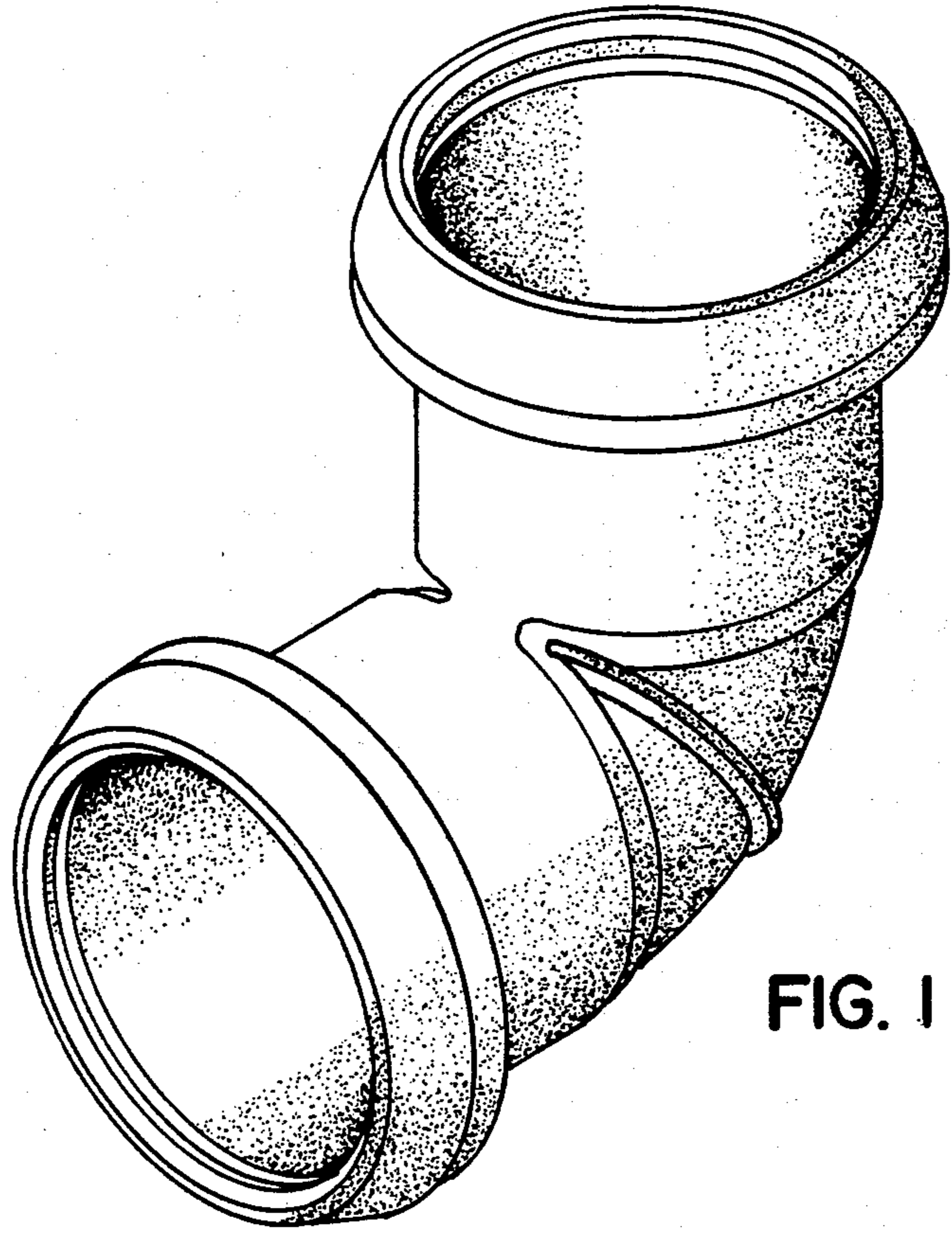


FIG. 1

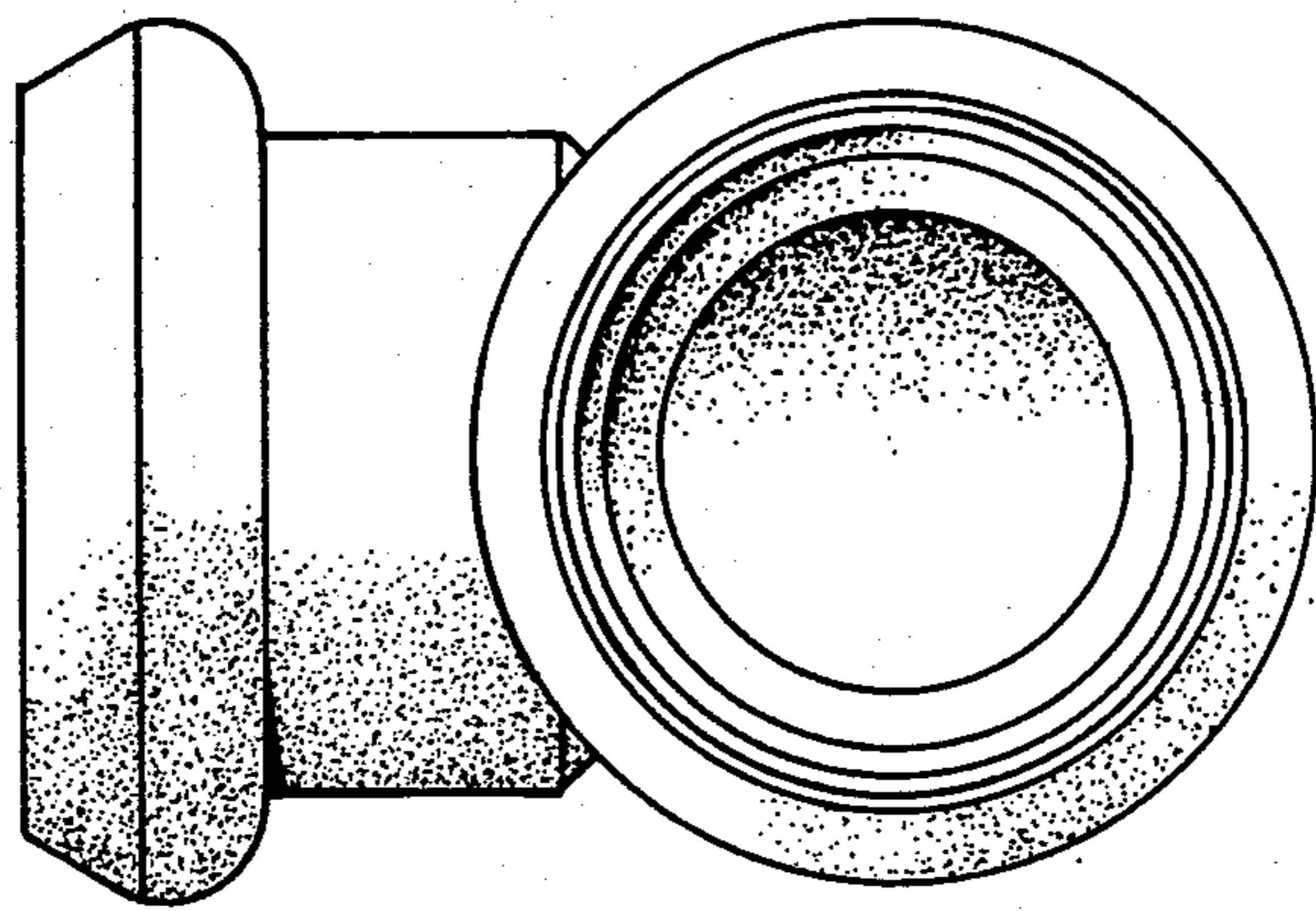


FIG. 2

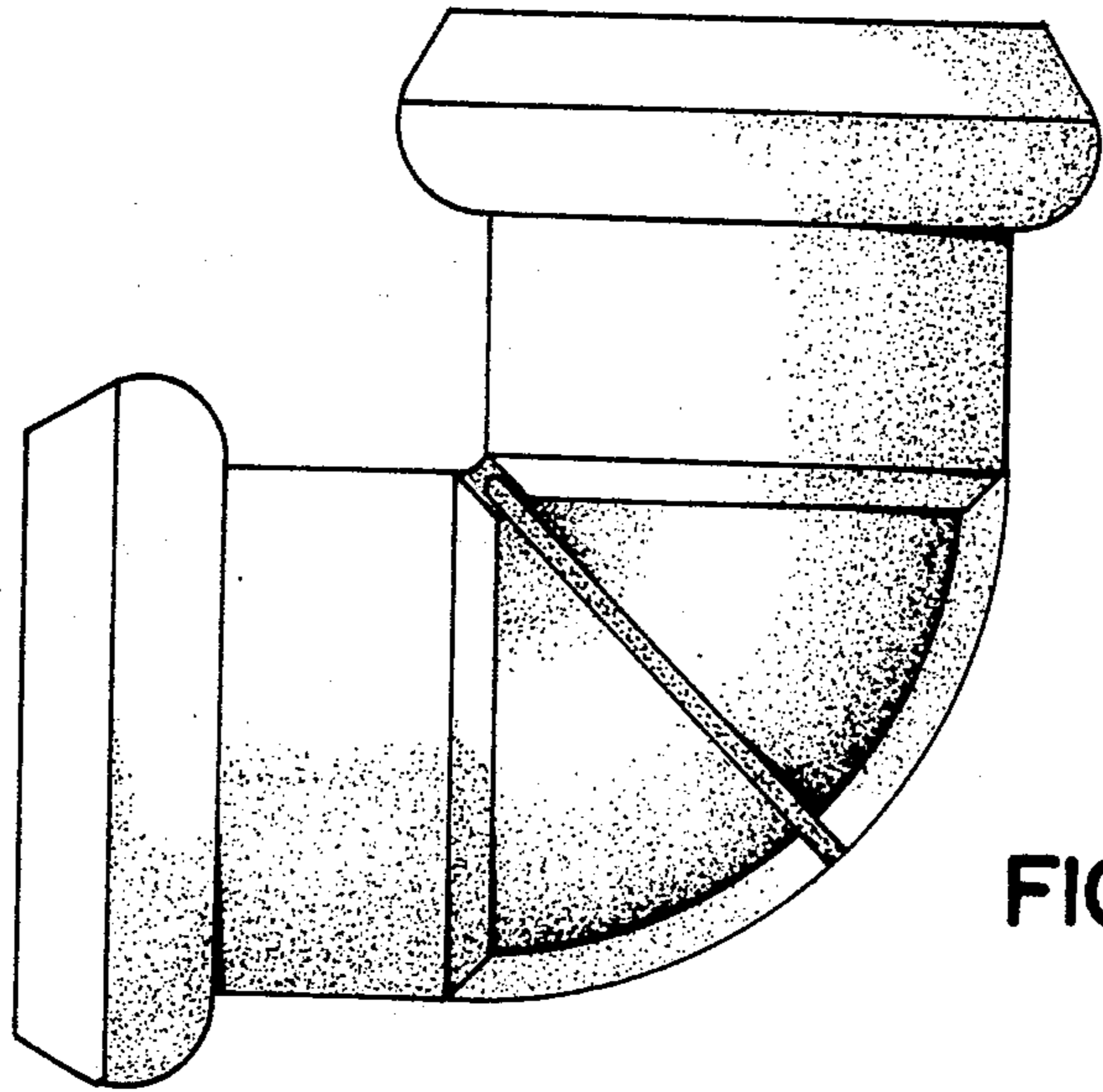


FIG. 3

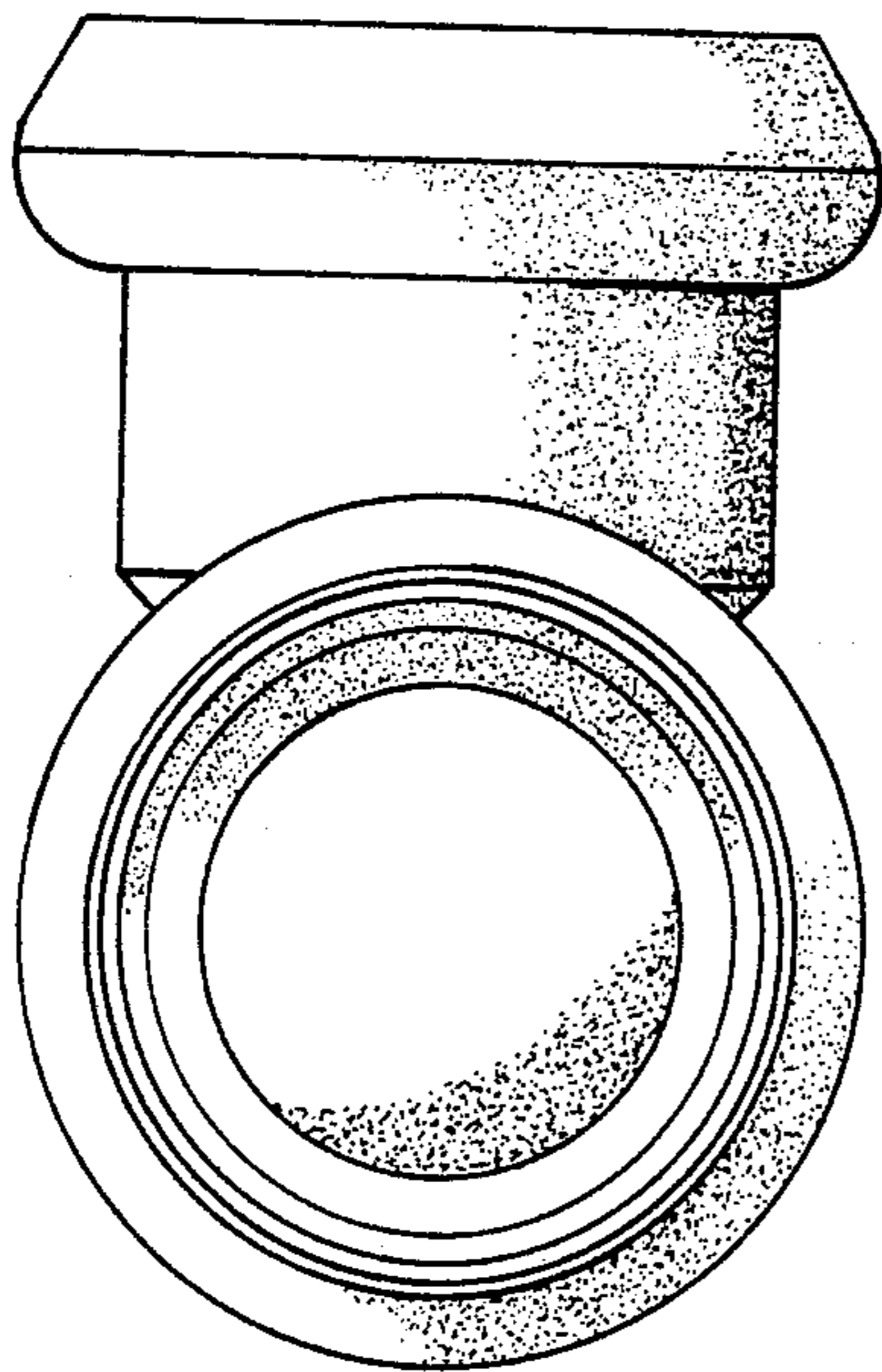


FIG. 4

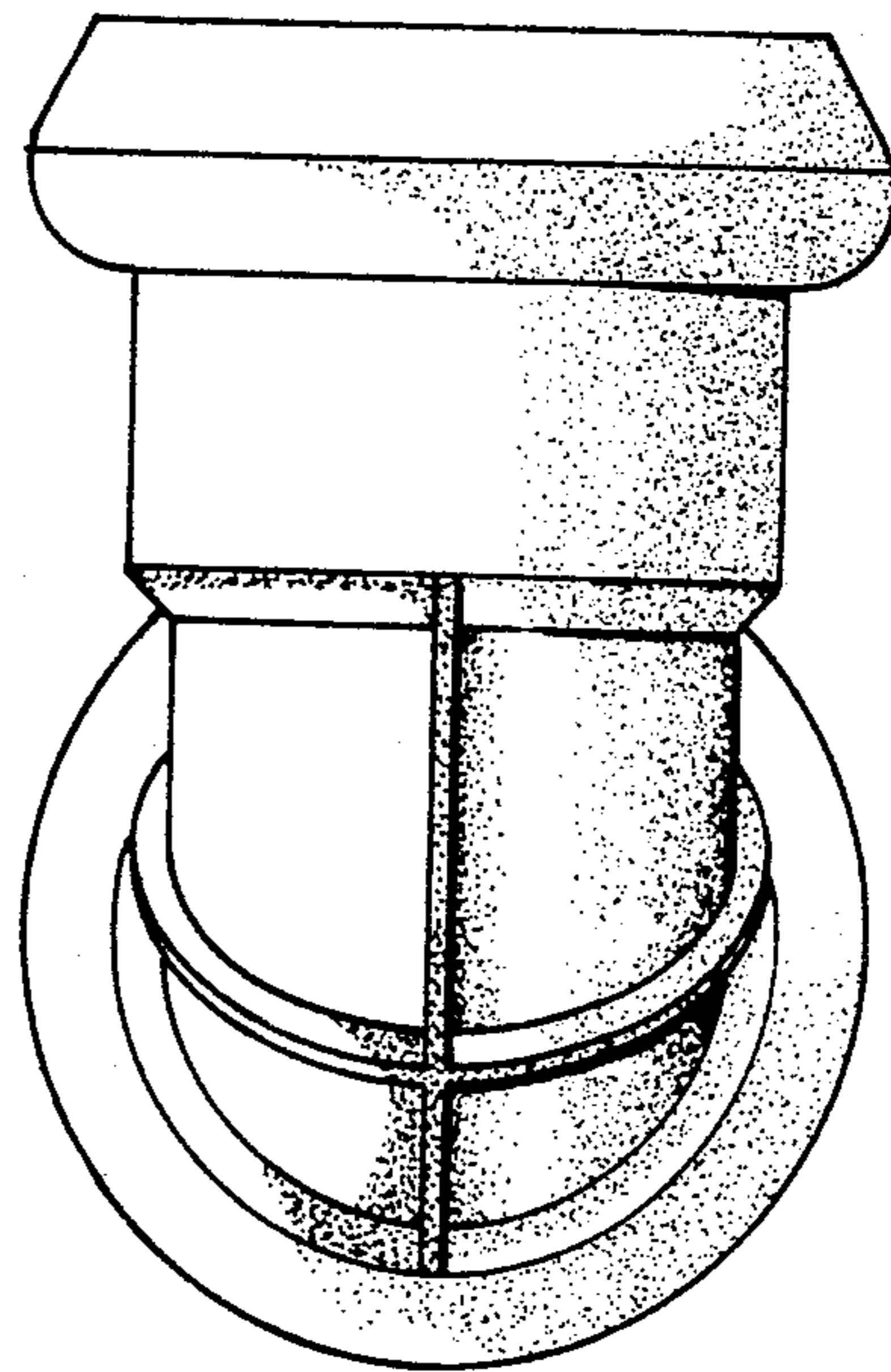


FIG. 5



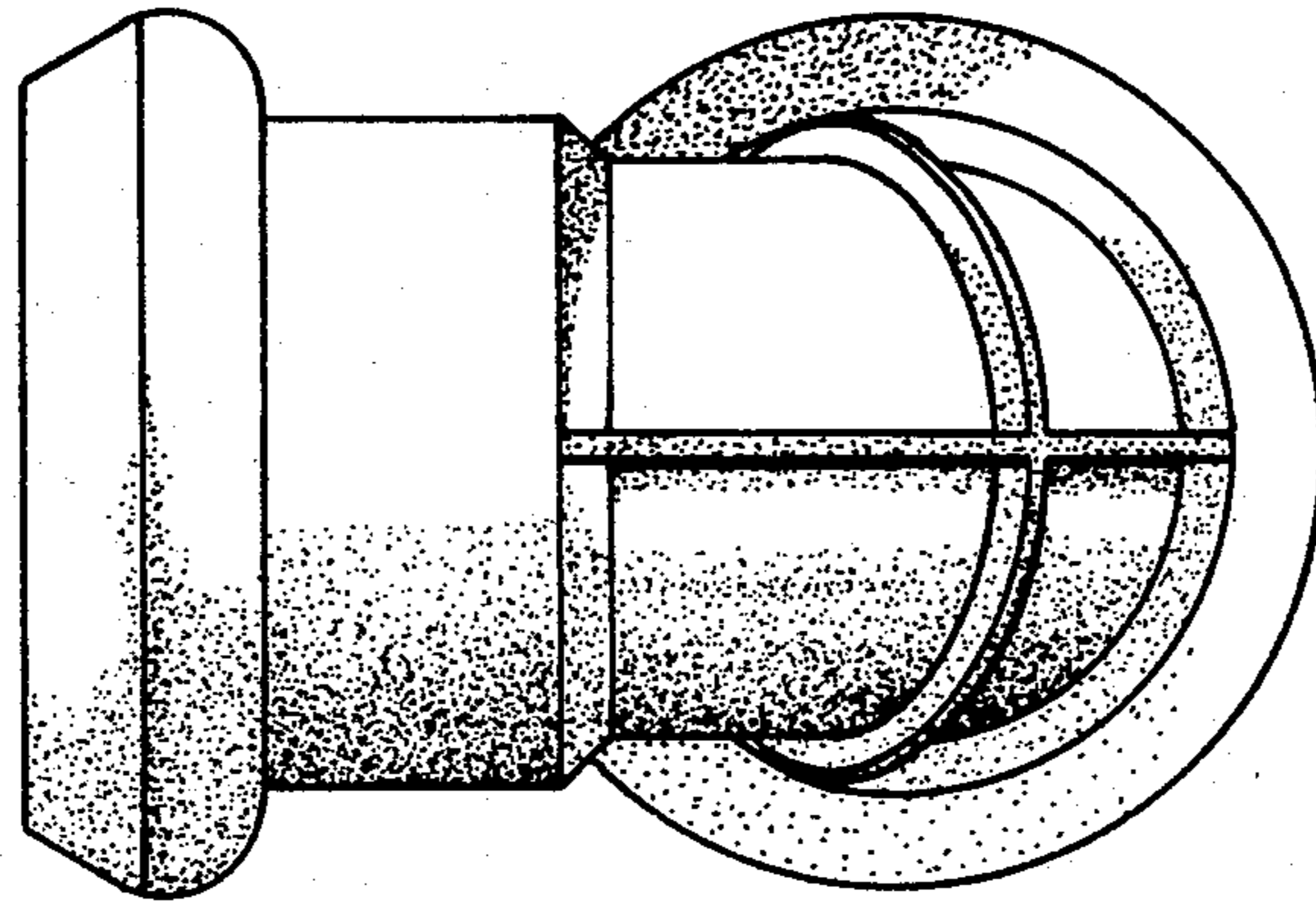


FIG. 6

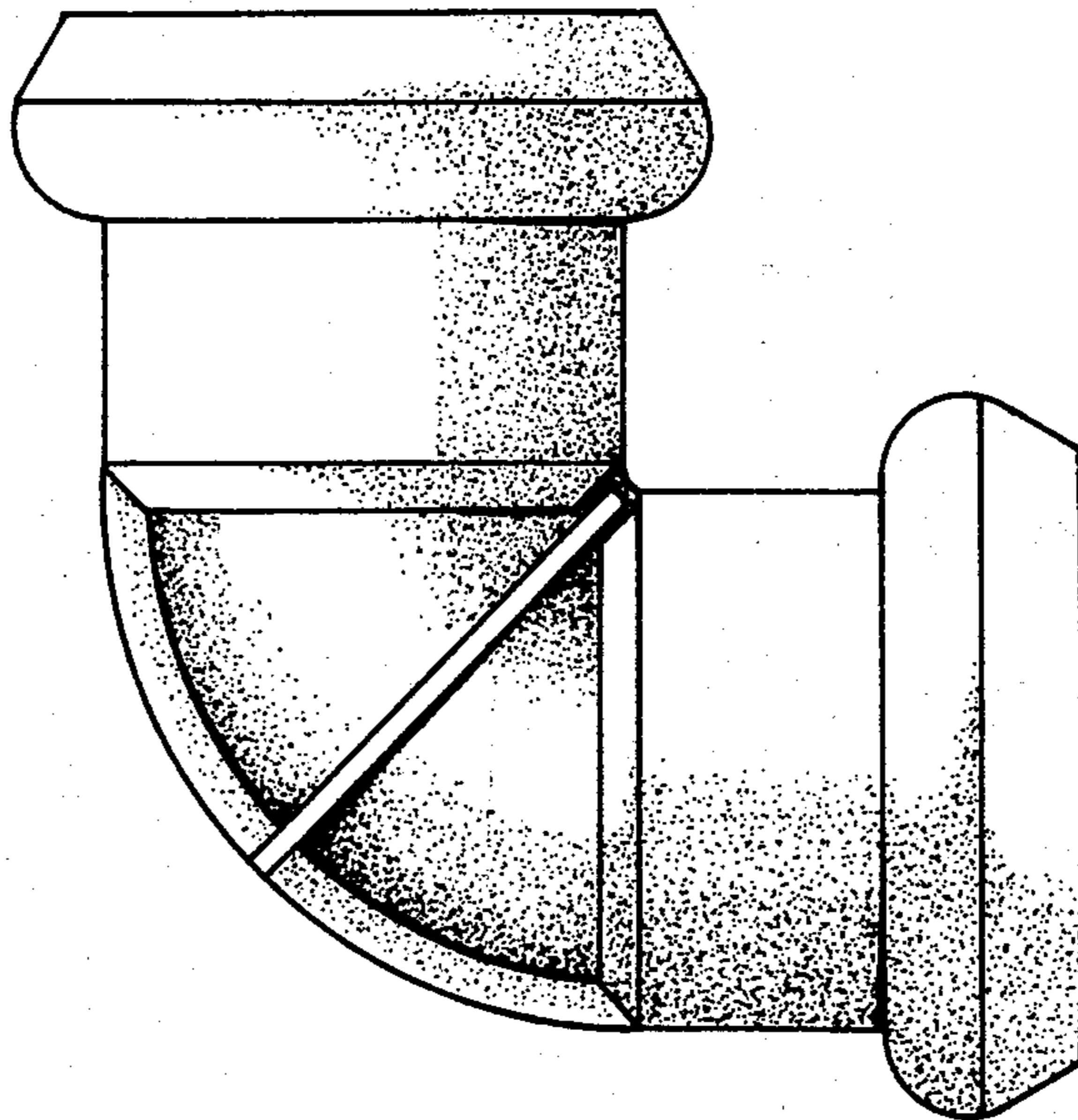


FIG. 7