

[54] QUICK-DISCONNECT FITTING OR SIMILAR ARTICLE

[75] Inventors: James M. Padilla, Covina; Sigfrid A. Tomchak, Fountain Valley, both of Calif.

[73] Assignee: Cuno Incorporated, Meriden, Conn.

[\*\*] Term: 14 Years

[21] Appl. No.: 632,568

[22] Filed: Jul. 19, 1984

[52] U.S. Cl. .... D23/43

[58] Field of Search ..... D23/43, 3, 4, 44; 210/257.2, 433.2; 285/8, 33, 131, 137.1, 237, DIG. 22; 137/562

3,746,640 7/1973 Bray ..... 210/23

3,967,638 7/1976 Tondreau ..... 137/216

4,049,550 9/1977 Obidniak ..... 210/152

4,078,575 3/1978 Shames et al. .... 137/562

4,150,688 4/1979 Crawford ..... 137/562

4,218,317 8/1980 Kirschmann ..... 210/117

4,454,891 6/1984 Dreibelbis et al. .... 137/216

4,480,855 11/1984 Rosenbaum ..... 285/3

4,482,456 11/1984 Grayson ..... 210/134

4,515,399 5/1985 Sullivan et al. .... 285/95

4,599,171 7/1986 Padilla et al. .... 210/257.2

Primary Examiner—James R. Largen  
 Attorney, Agent, or Firm—F. Eugene Logan

[57] CLAIM

The ornamental design for a quick-disconnect fitting or similar article, substantially as shown and described.

DESCRIPTION

FIG. 1 is a perspective view taken from the top, rear and right side of a quick-disconnect fitting or similar article showing our new design;

FIG. 2 is a top plan view thereof;

FIG. 3 is a front elevational view thereof;

FIG. 4 is a right side elevational view thereof;

FIG. 5 is a rear elevational view thereof;

FIG. 6 is a bottom plan view thereof; and

FIG. 7 is a left side elevational view thereof.

[56] References Cited

U.S. PATENT DOCUMENTS

D. 193,323 7/1962 Hahn ..... D23/43

D. 214,272 5/1969 Pautrie ..... D23/43 X

D. 228,554 10/1973 Magorien ..... D23/43

D. 246,855 1/1978 Treloar ..... D23/43

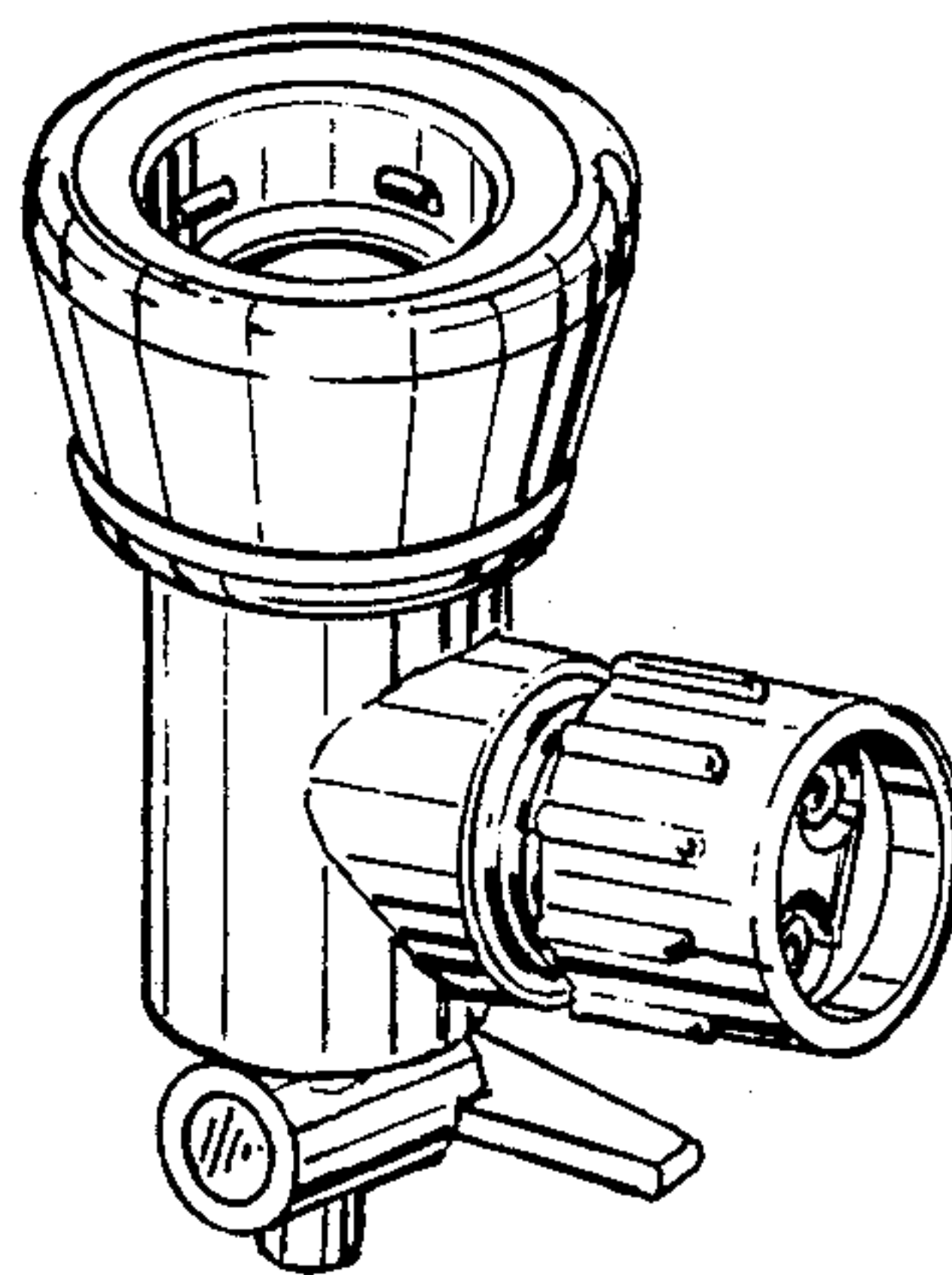
D. 258,526 3/1981 Nederman ..... D23/43

D. 259,278 5/1981 McCaw et al. .... D23/43 X

2,476,172 7/1949 Williams ..... 285/33

3,377,087 4/1968 Samerdyde et al. .... 285/137 R

3,670,892 6/1972 Baerg et al. .... 210/134



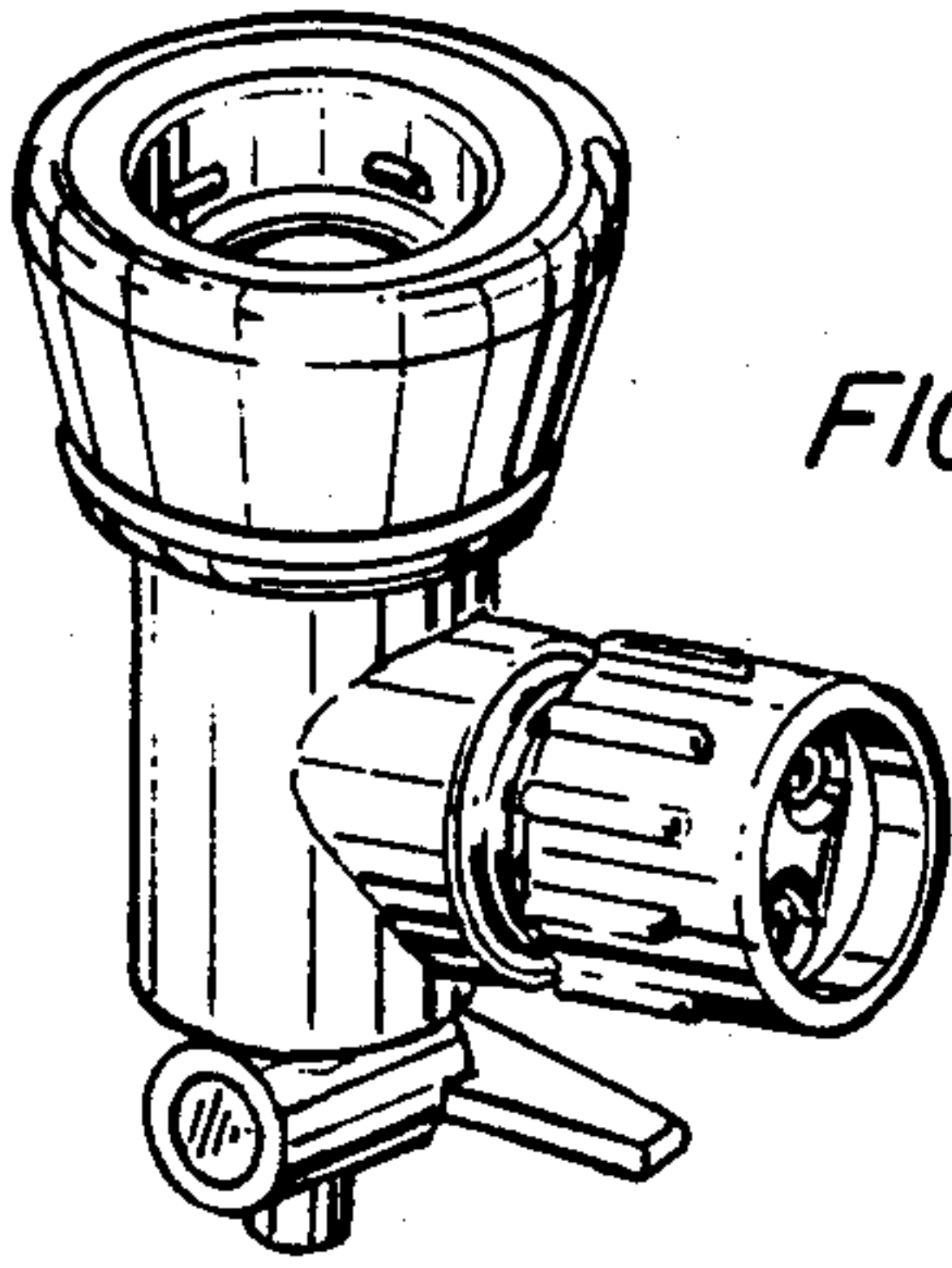


FIG. 1

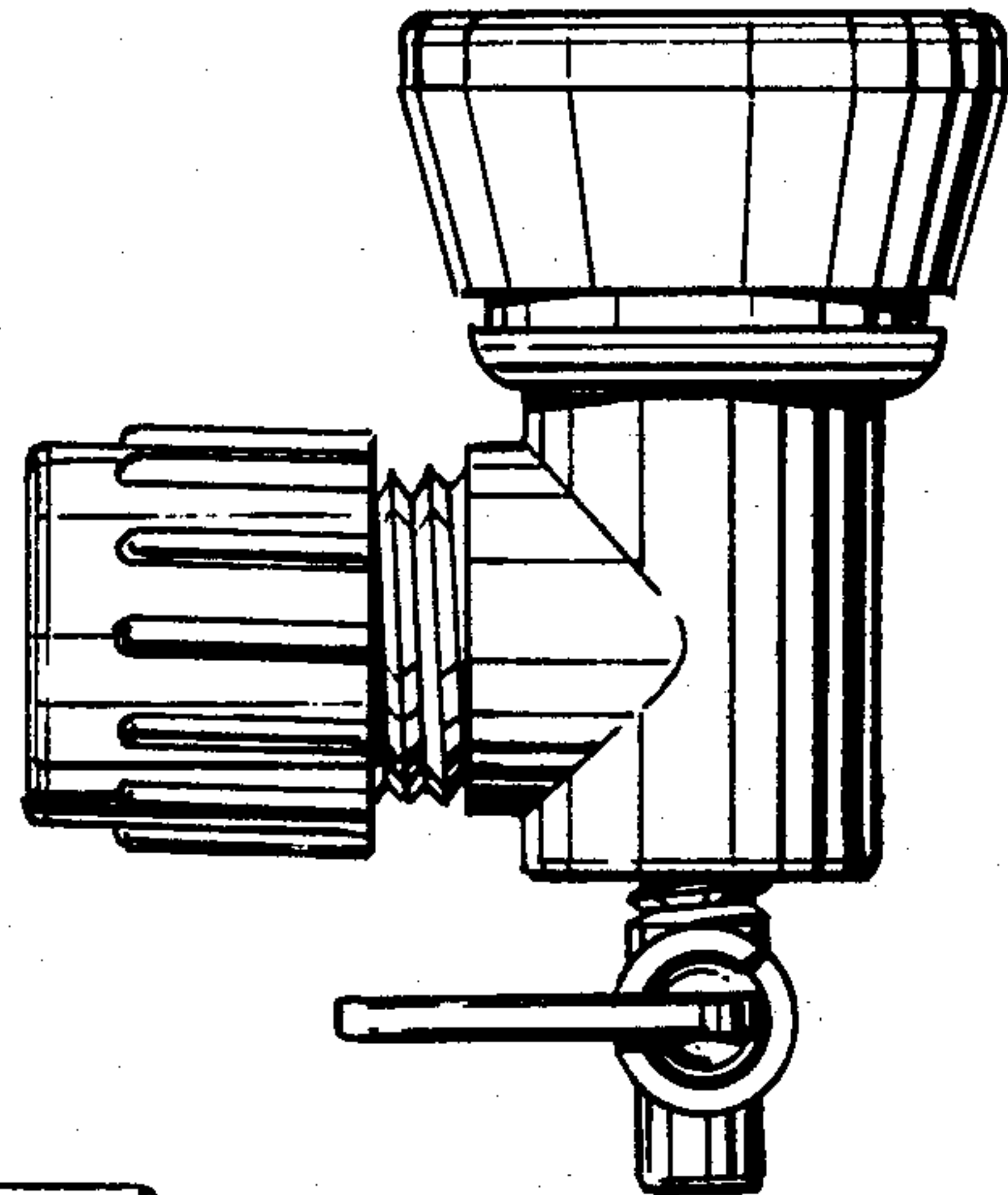


FIG. 7

FIG. 2

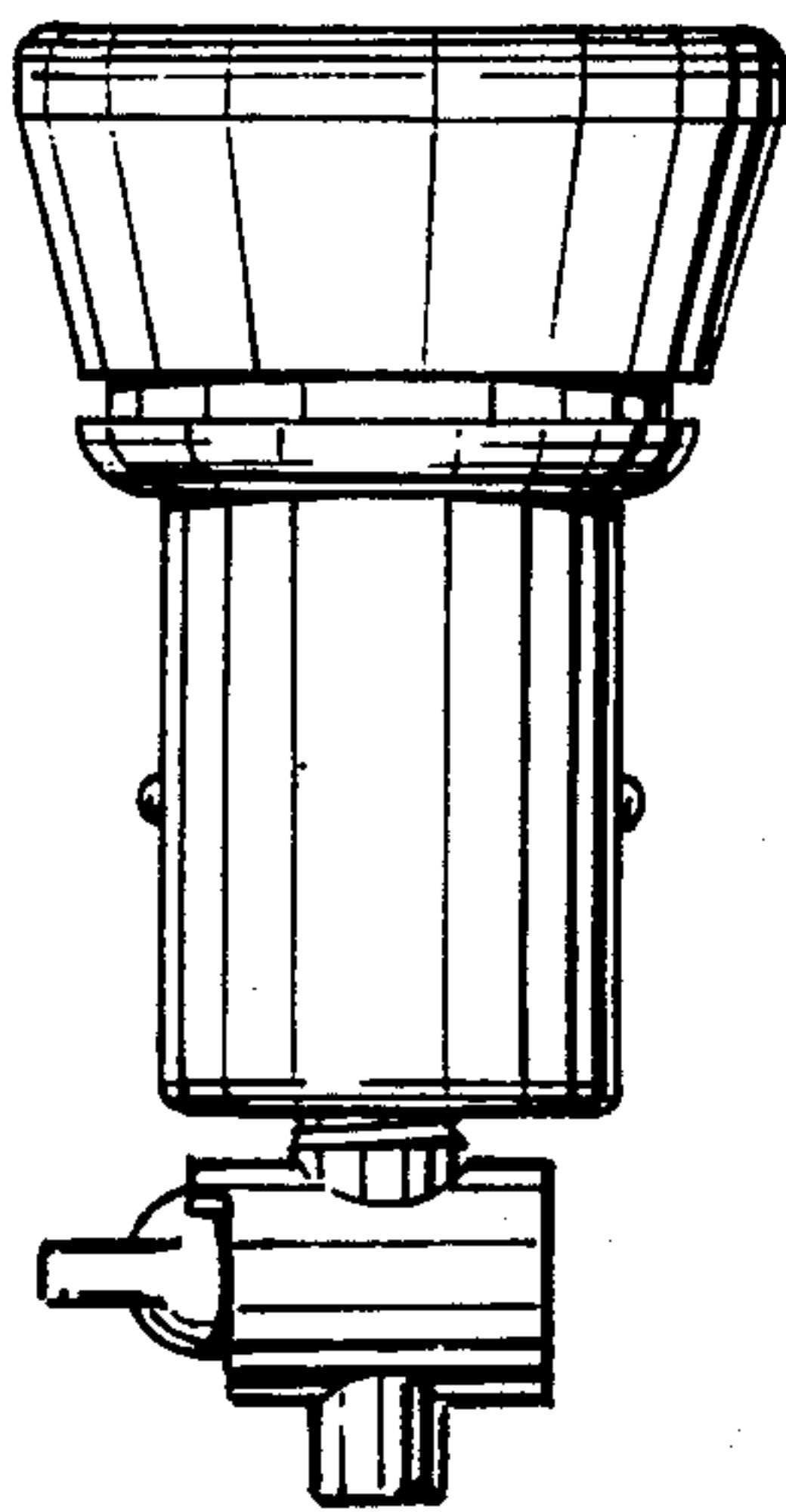
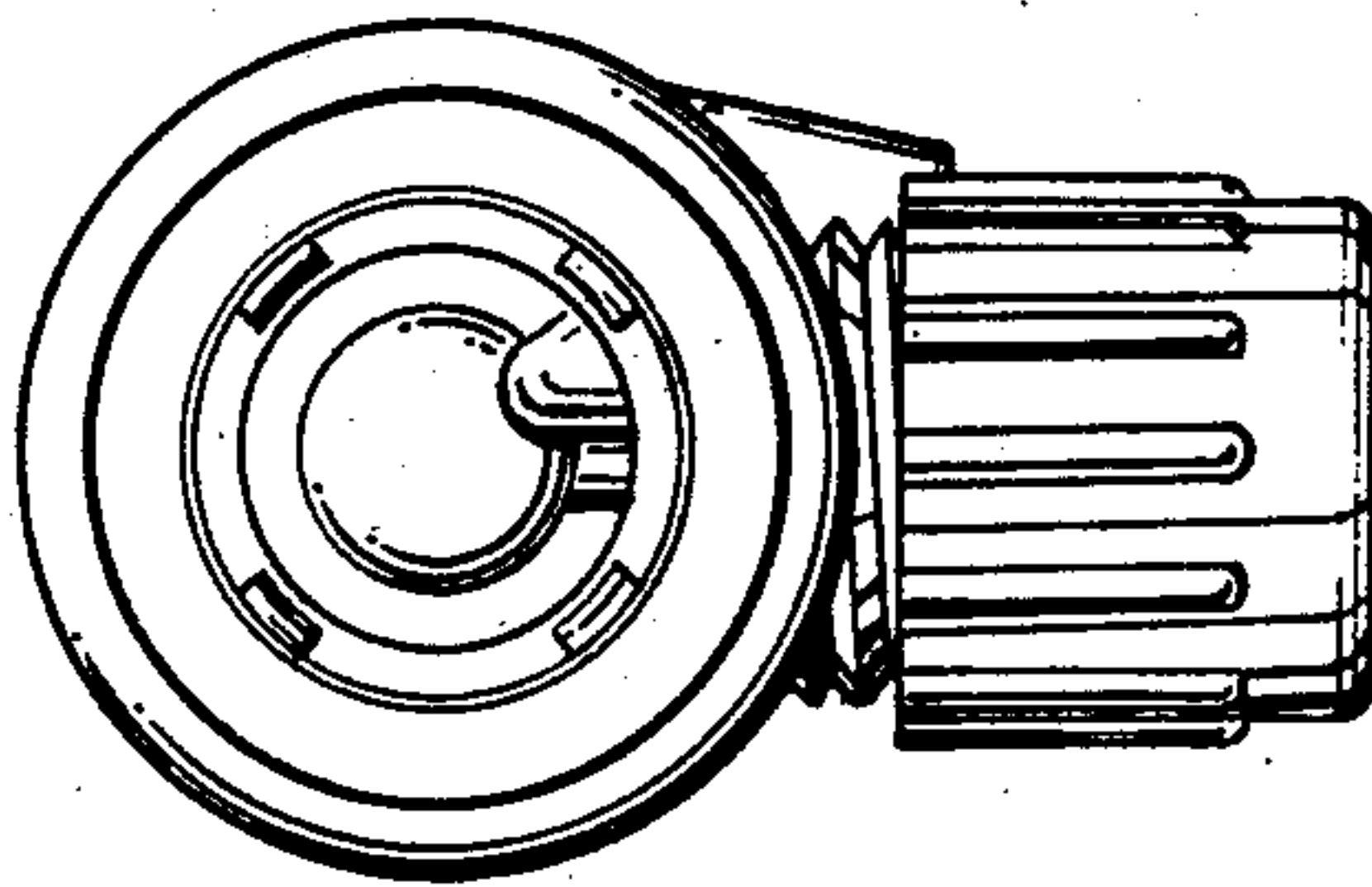


FIG. 3

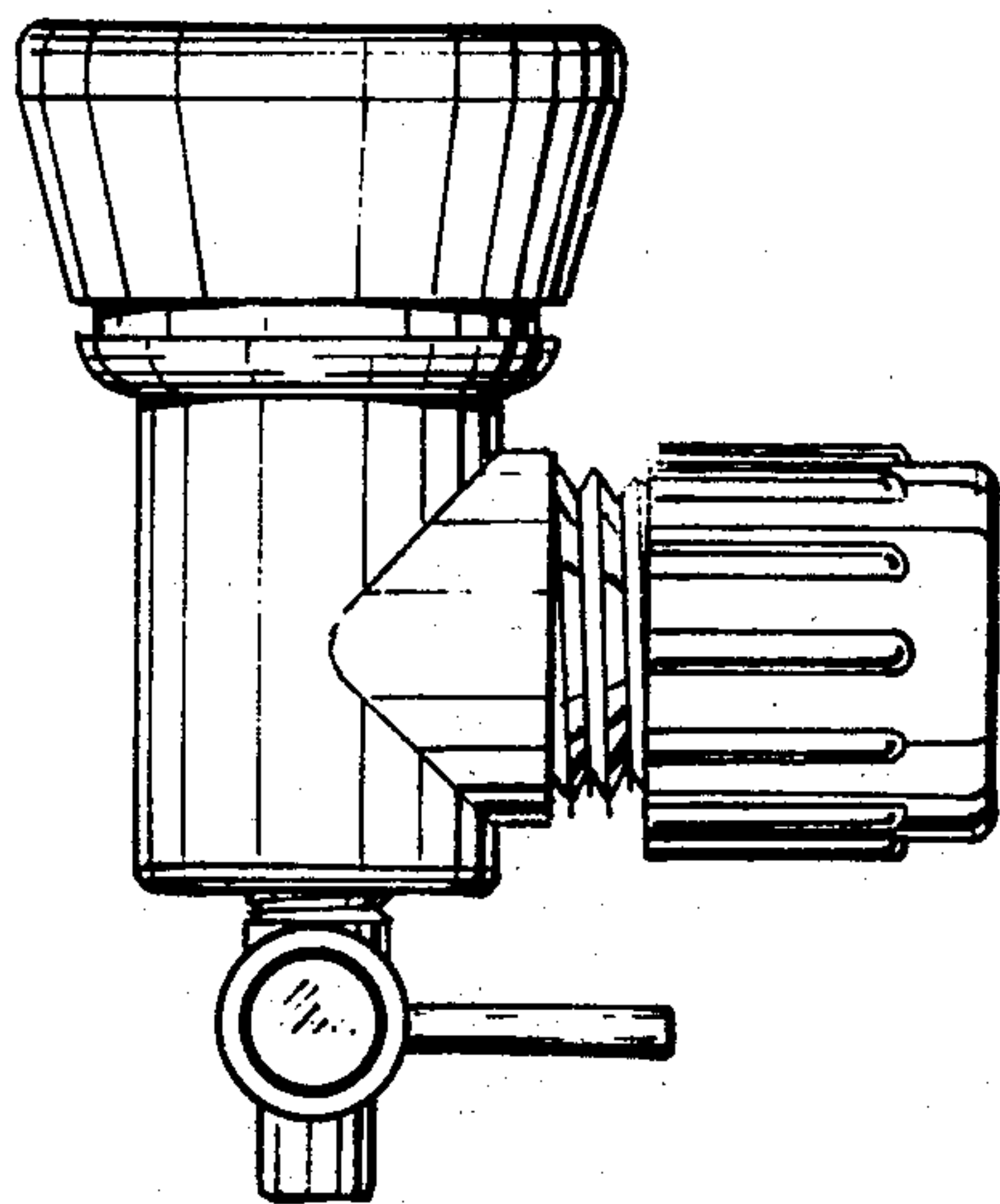


FIG. 4

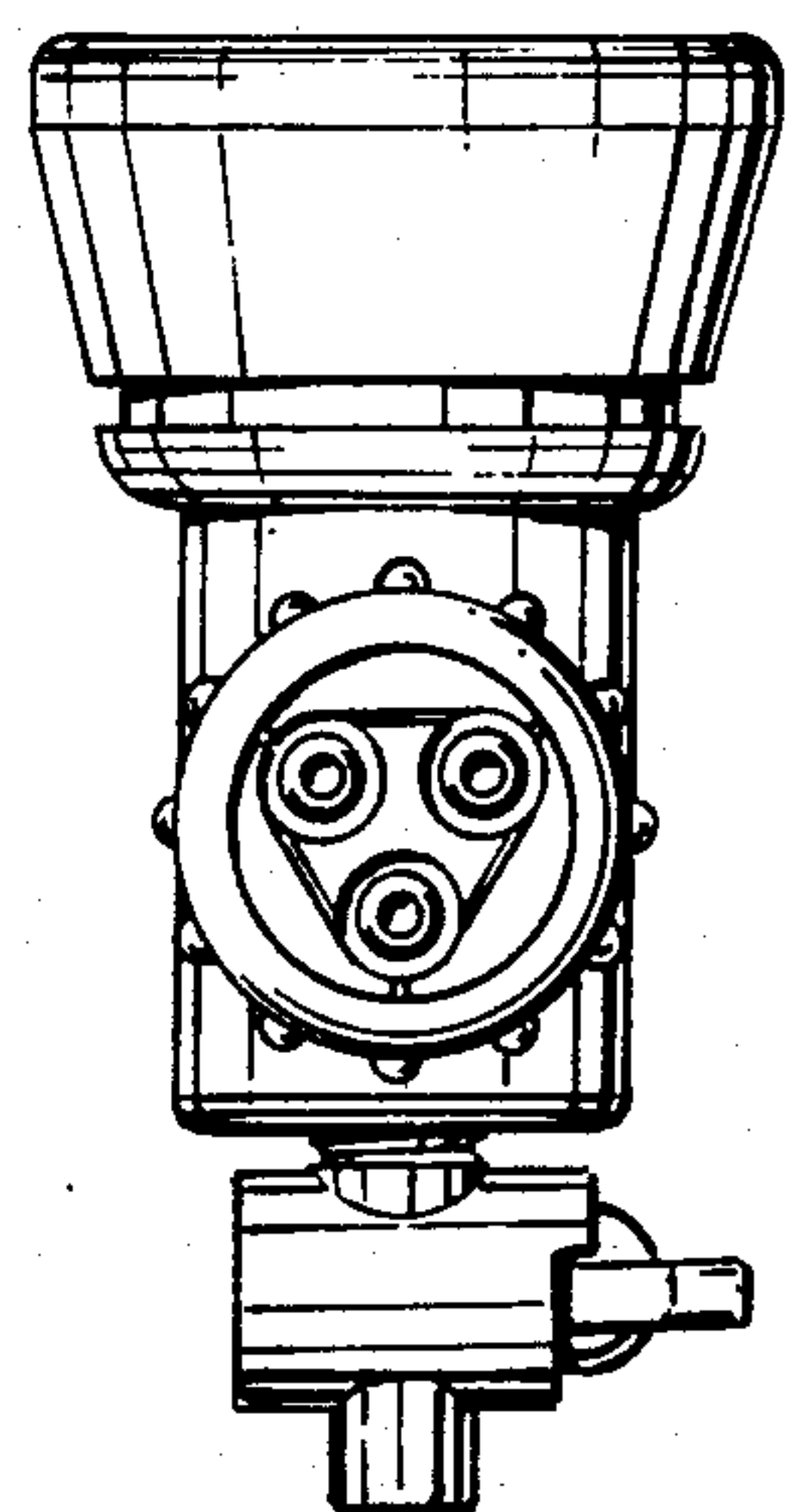


FIG. 5

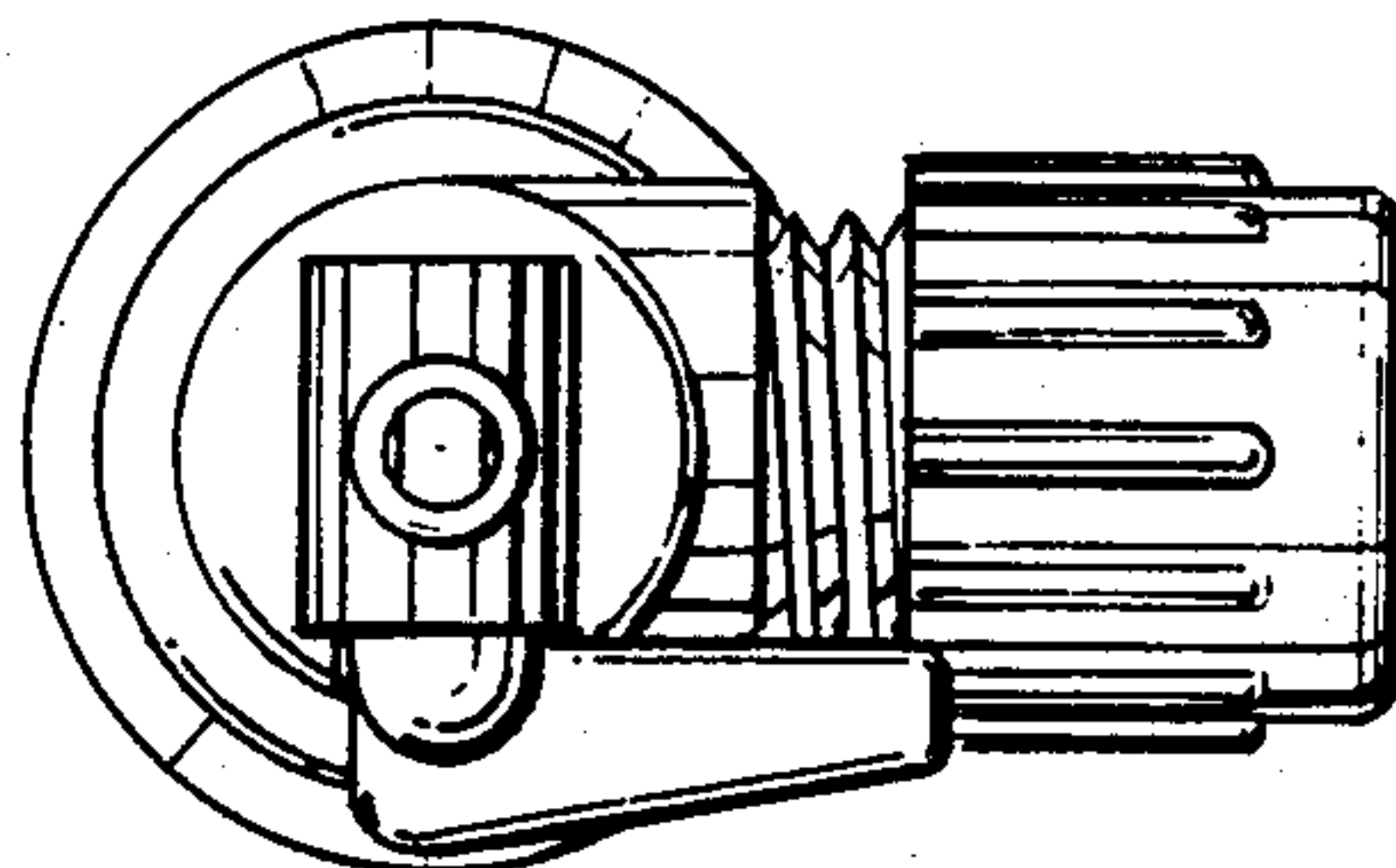


FIG. 6