

[54] FAUCET

[76] Inventor: Stephen O. Gregory, 2502 Arapahoe St., Denver, Colo. 80205

[**] Term: 14 Years

[21] Appl. No.: 785,884

[22] Filed: Oct. 8, 1985

[52] U.S. Cl. D23/23

[58] Field of Search D23/23-32; 4/191, 192; 137/801

[56] References Cited

U.S. PATENT DOCUMENTS

D. 65,301	7/1924	Ross	D23/23
D. 83,923	4/1931	Sakier	D23/23
D. 117,171	10/1939	Fraser	D23/23
D. 140,557	3/1945	Stanitz	D23/23
D. 149,196	4/1948	Little et al.	D23/23
D. 149,379	4/1948	Sayre	D23/23
D. 183,672	10/1958	Barker	D23/23
D. 207,985	6/1967	Maguire	D23/23
D. 265,229	6/1982	Paul	D23/25
D. 265,230	6/1982	Paul	D23/25
D. 265,231	6/1982	Paul	D23/25

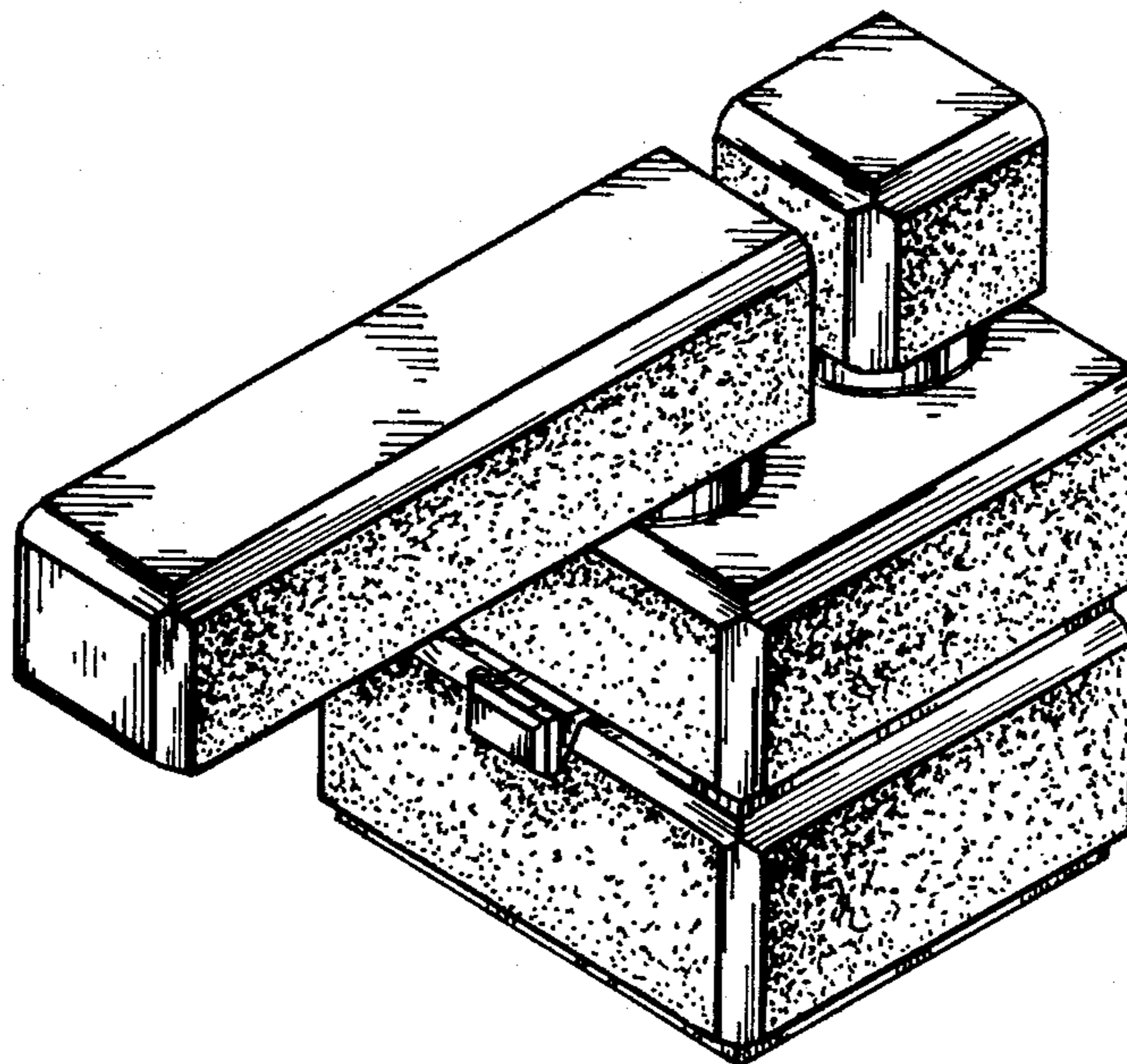
Primary Examiner—James R. Largen
Attorney, Agent, or Firm—Gregg I. Anderson

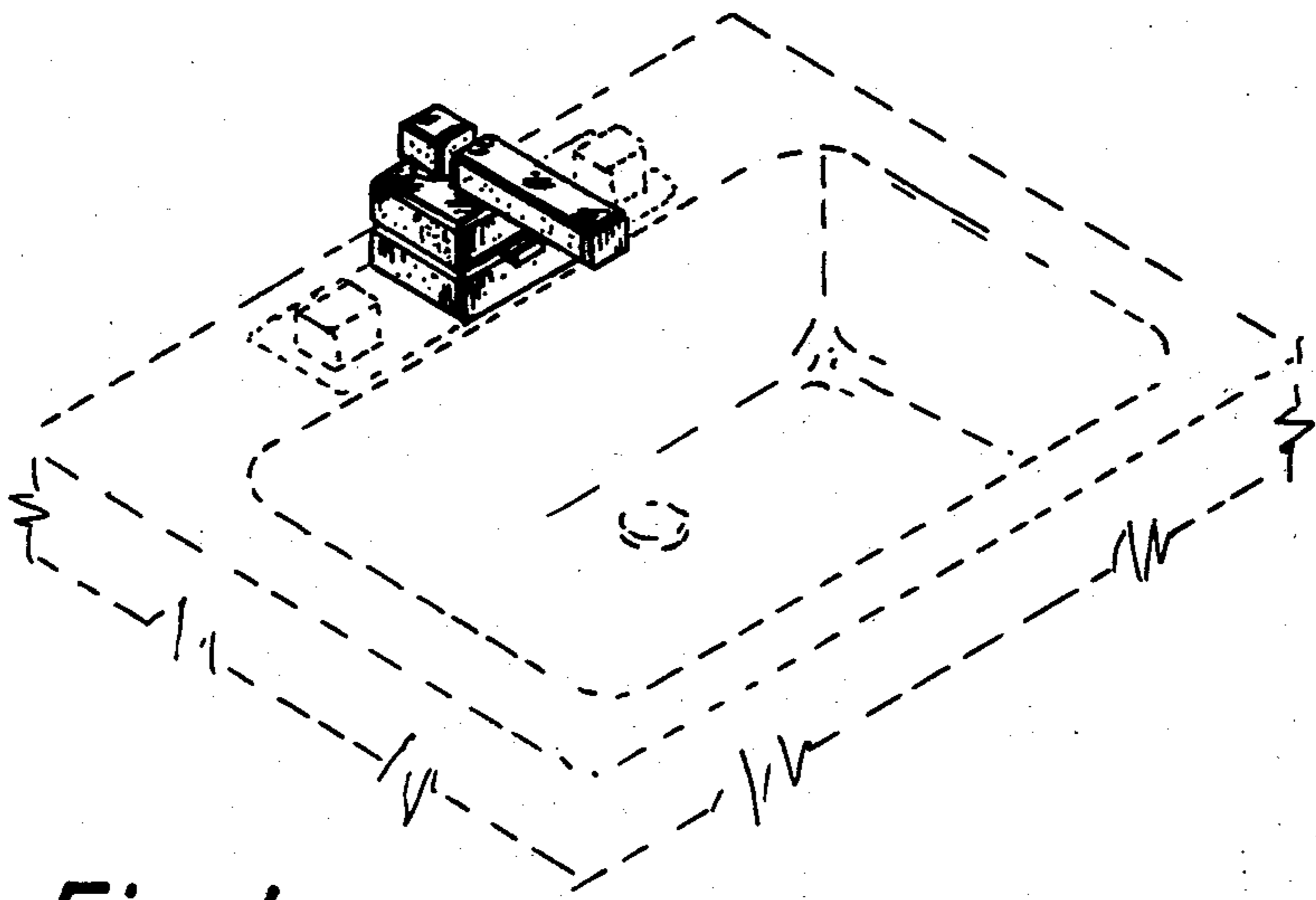
[57] CLAIM

The ornamental design for a faucet, as shown and described.

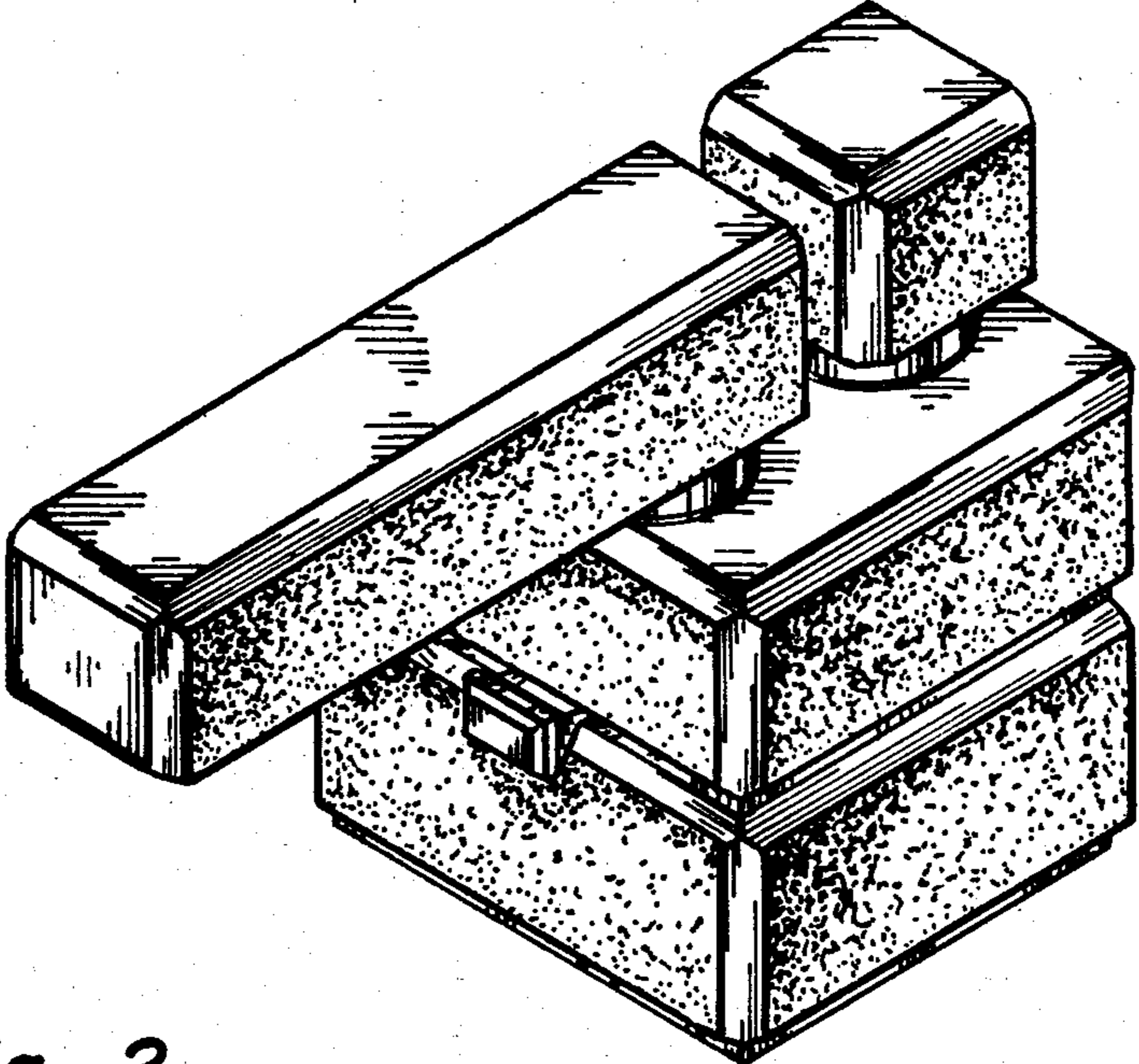
DESCRIPTION

FIG. 1 is a perspective view of a faucet showing my new design;
 FIG. 2 is an enlarged perspective view taken from the top, front and right side thereof;
 FIG. 3 is a left side elevational view thereof;
 FIG. 4 is a front elevational view thereof;
 FIG. 5 is a rear elevational view thereof;
 FIG. 6 is a right side elevational view thereof;
 FIG. 7 is a top plan view thereof;
 FIG. 8 is a bottom plan view thereof;
 FIG. 9 is an enlarged perspective view taken from the top, front and right side of a modified form of the faucet shown in FIG. 1;
 FIG. 10 is a front elevational view of FIG. 9;
 FIG. 11 is a rear elevational view of FIG. 9;
 FIG. 12 is a left side elevational view of FIG. 9;
 FIG. 13 is a right side elevational view of FIG. 9;
 FIG. 14 is a top plan view of FIG. 9; and
 FIG. 15 is a bottom plan view of FIG. 9.
 The fragmentary broken line representation of a lavatory and cabinet in FIG. 1 is for purposes of illustration only and forms no part of the claimed design.

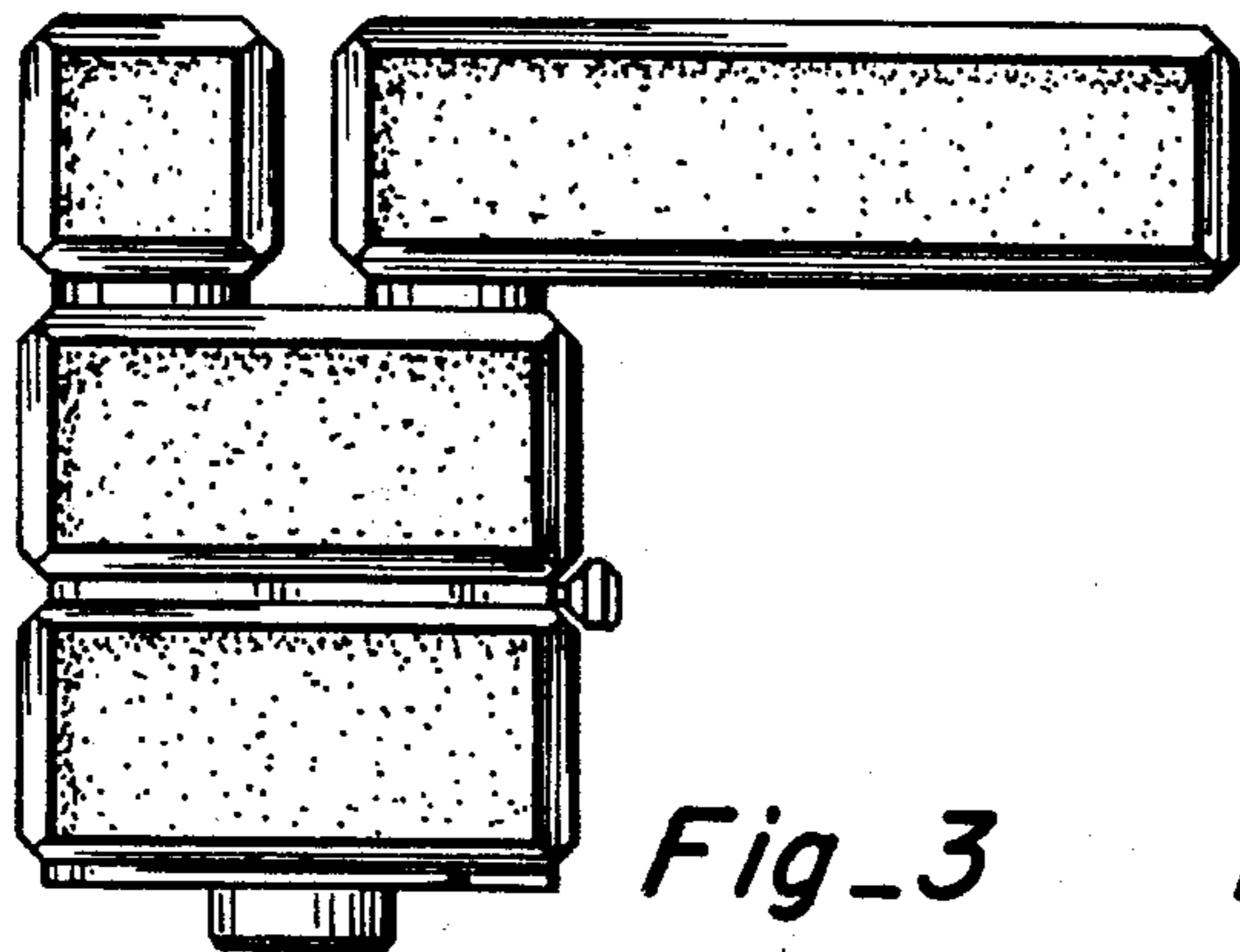




Fig_1

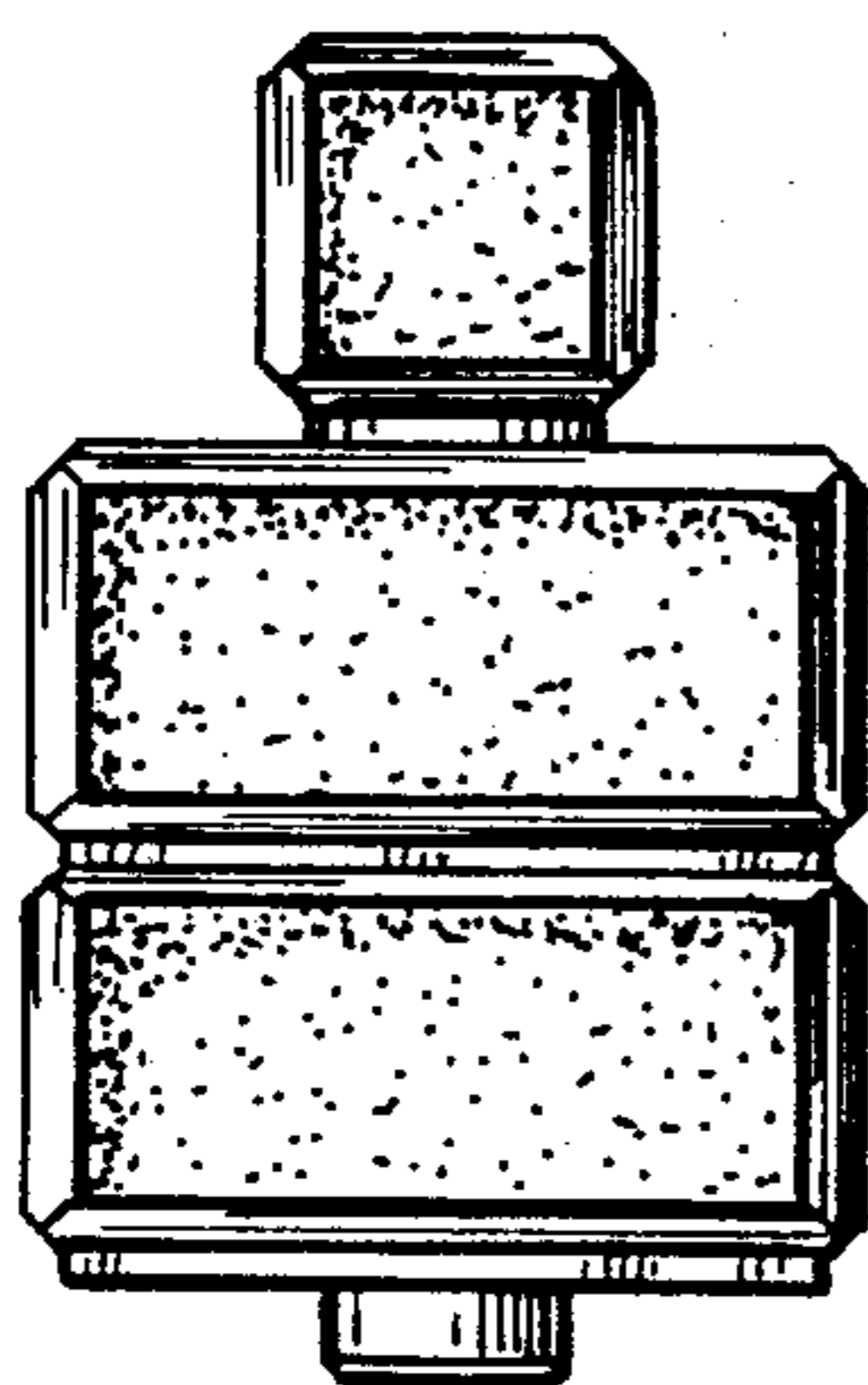
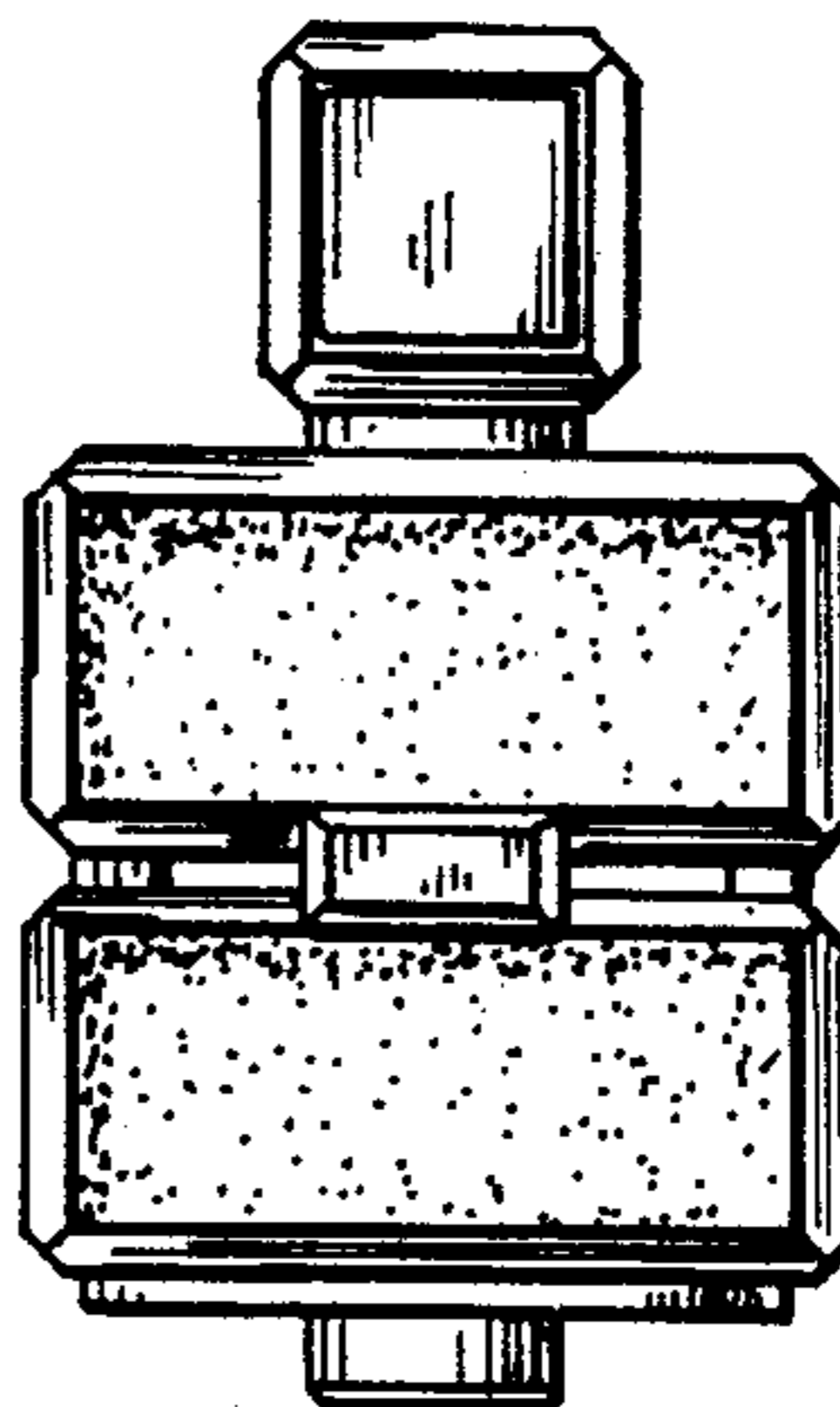


Fig_2

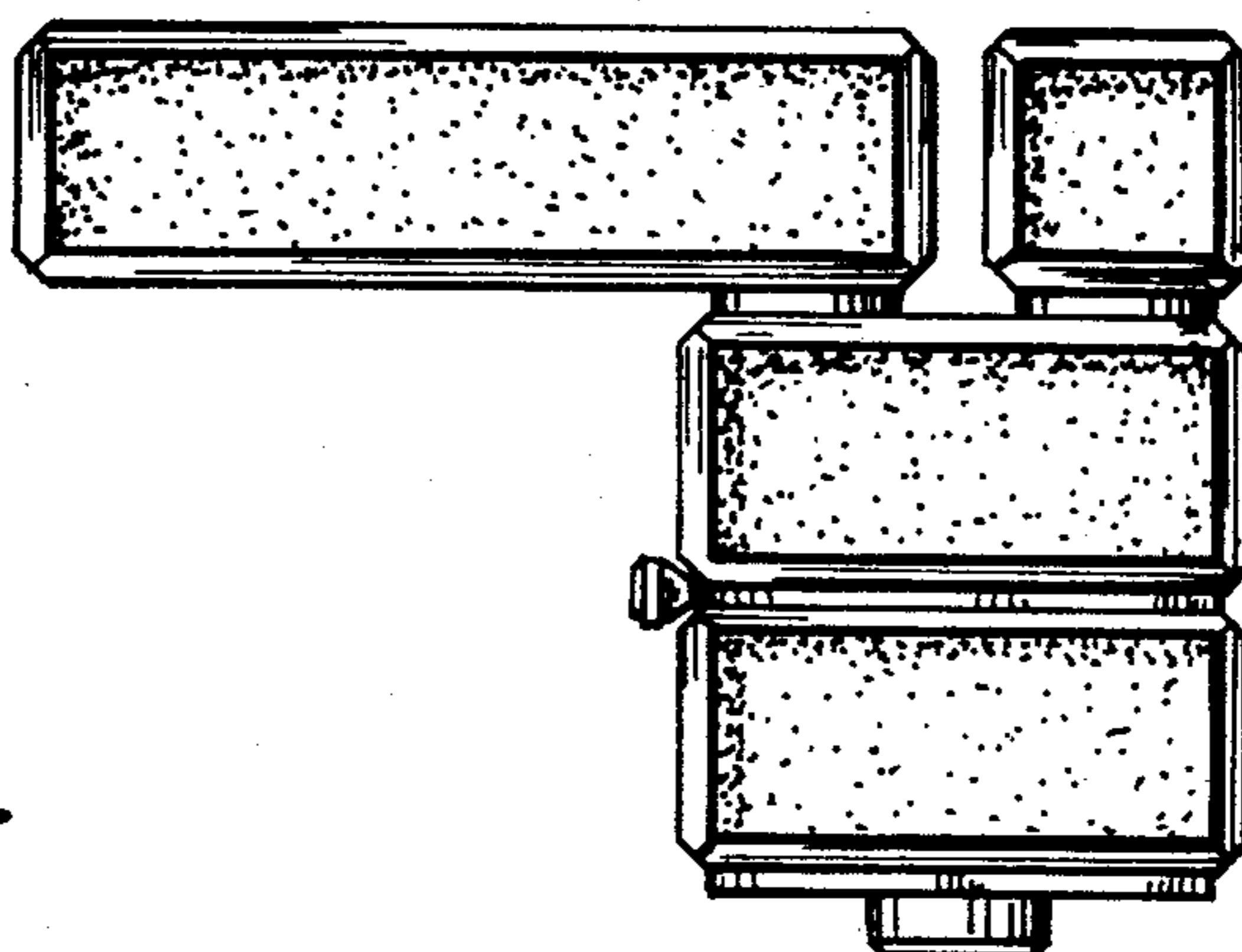


Fig_3

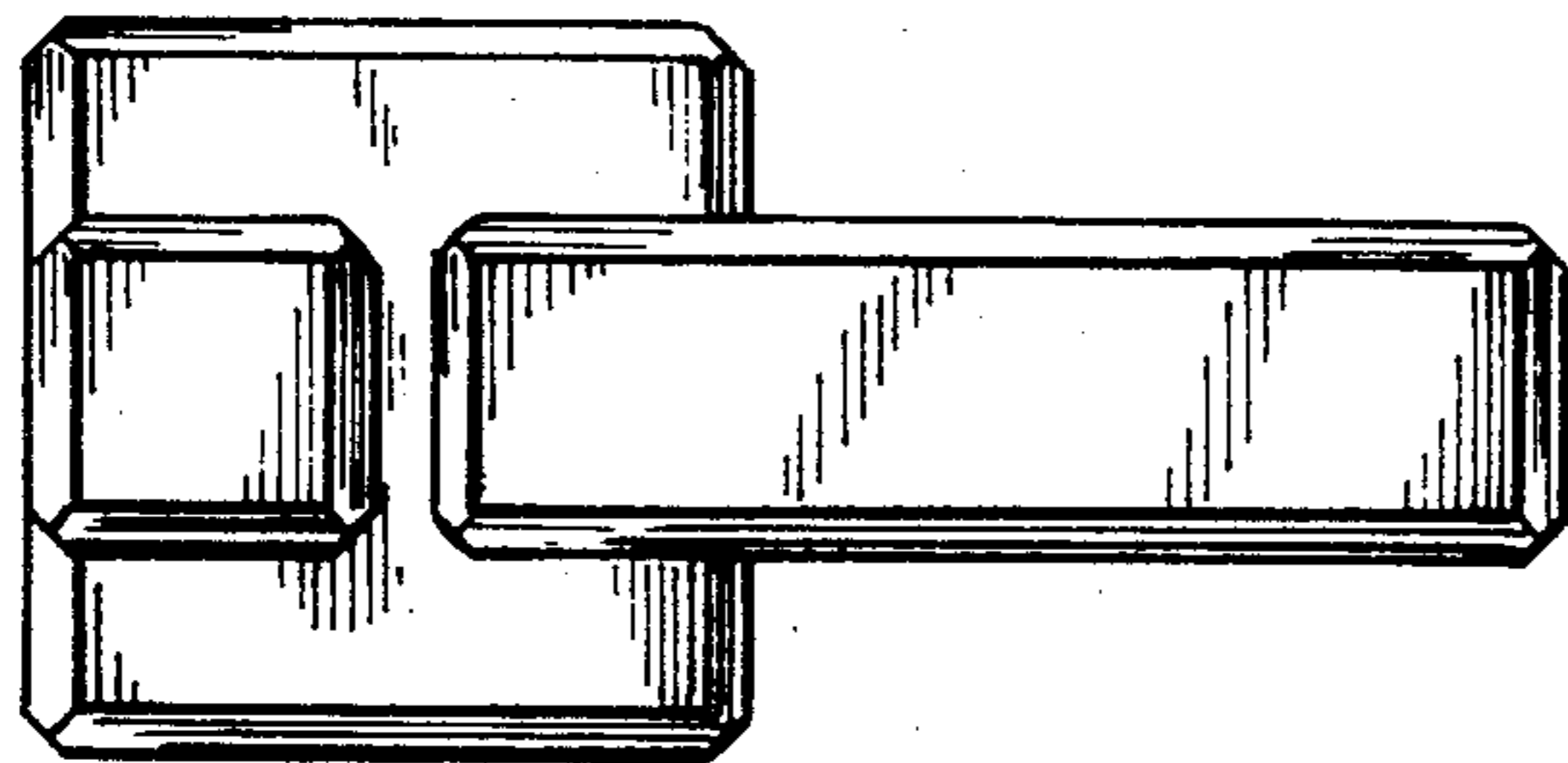
Fig_4



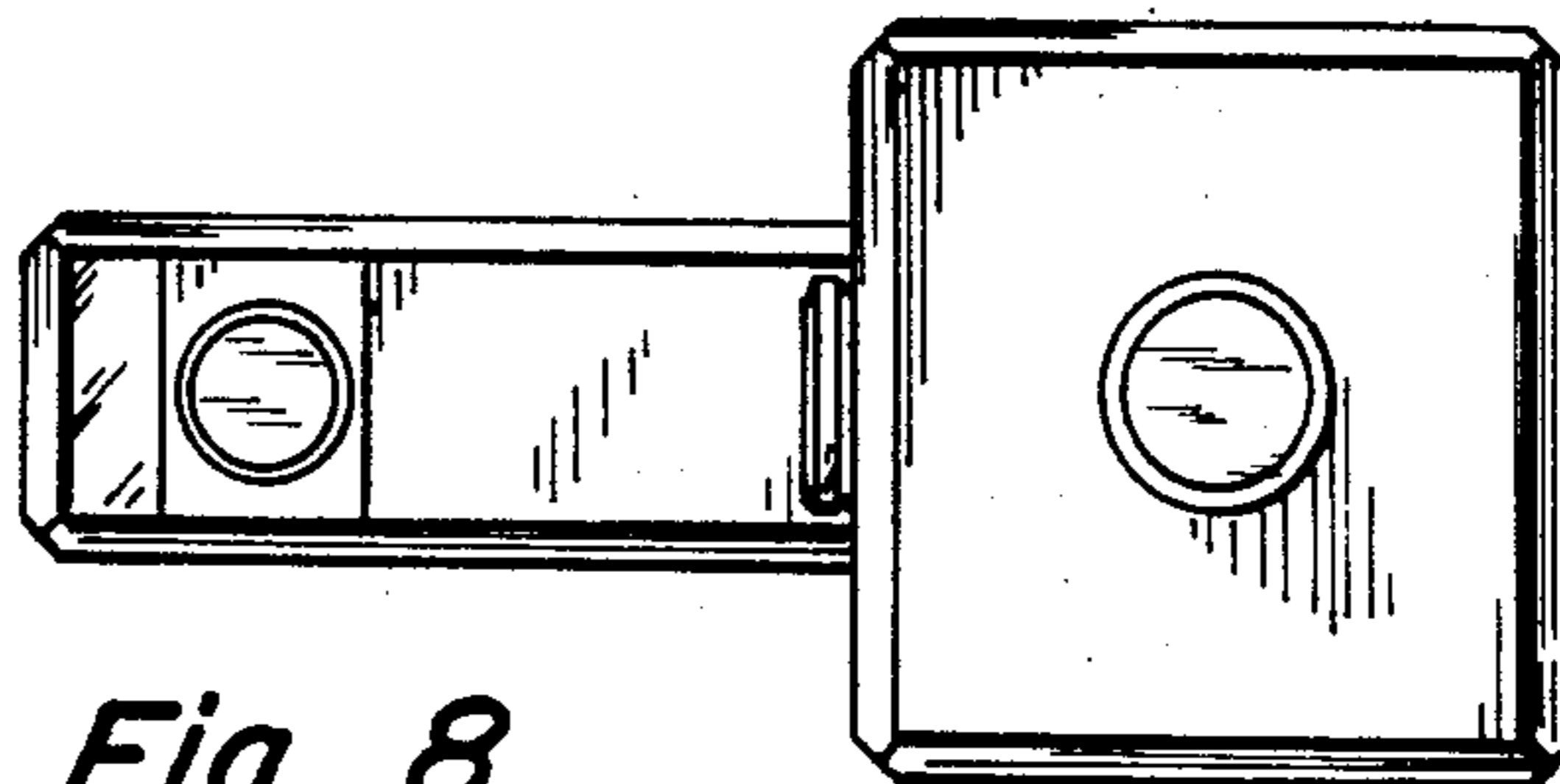
Fig_5



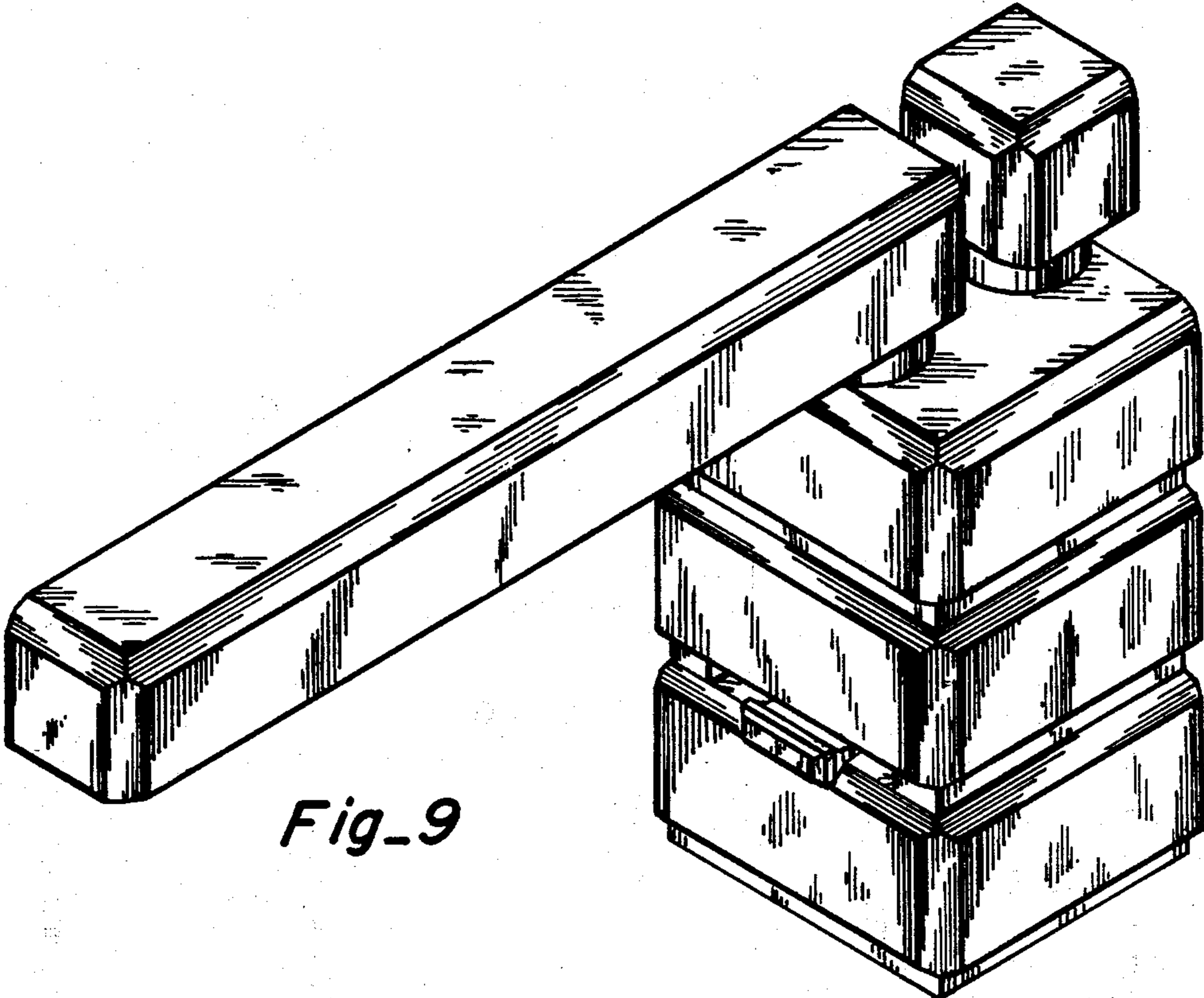
Fig_6



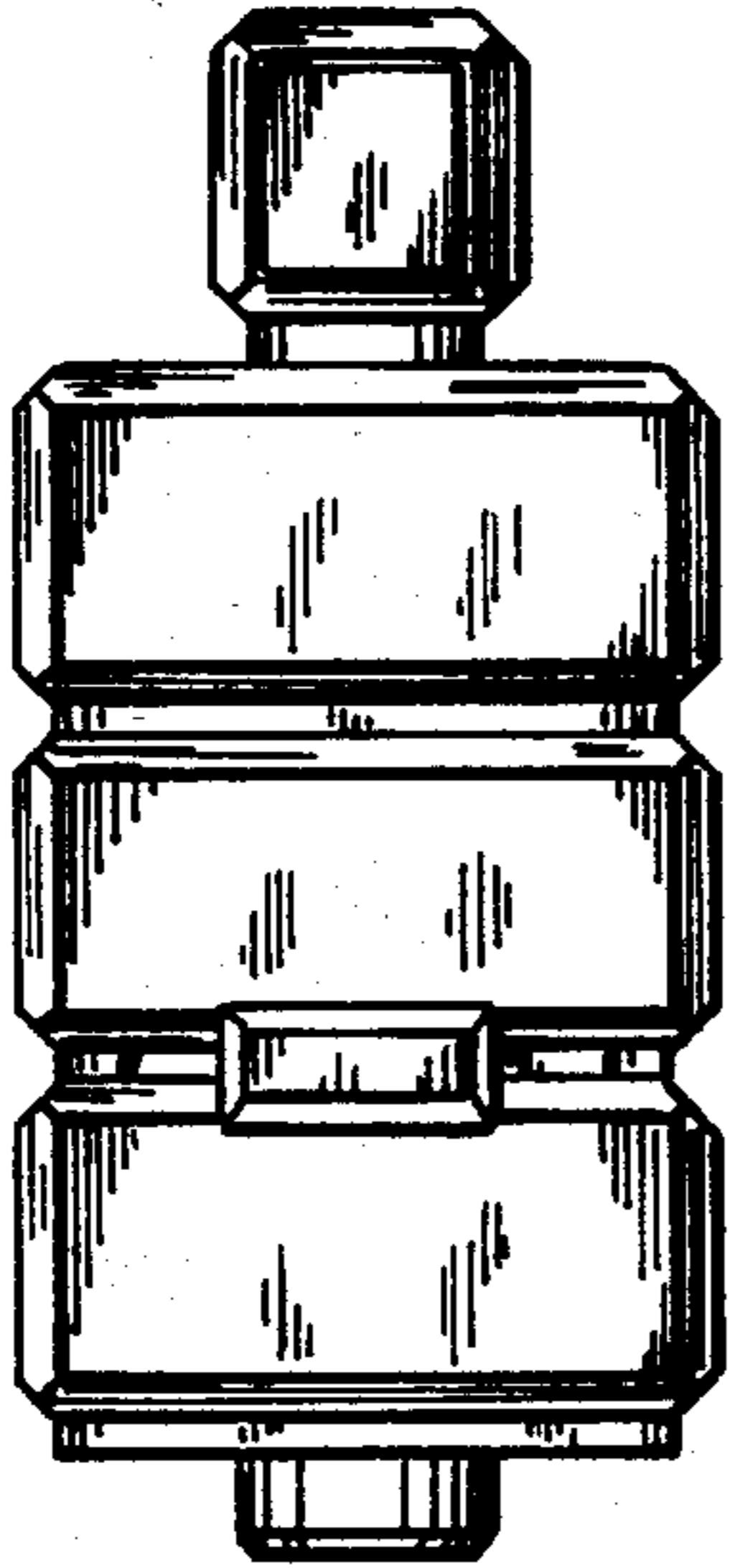
Fig_7



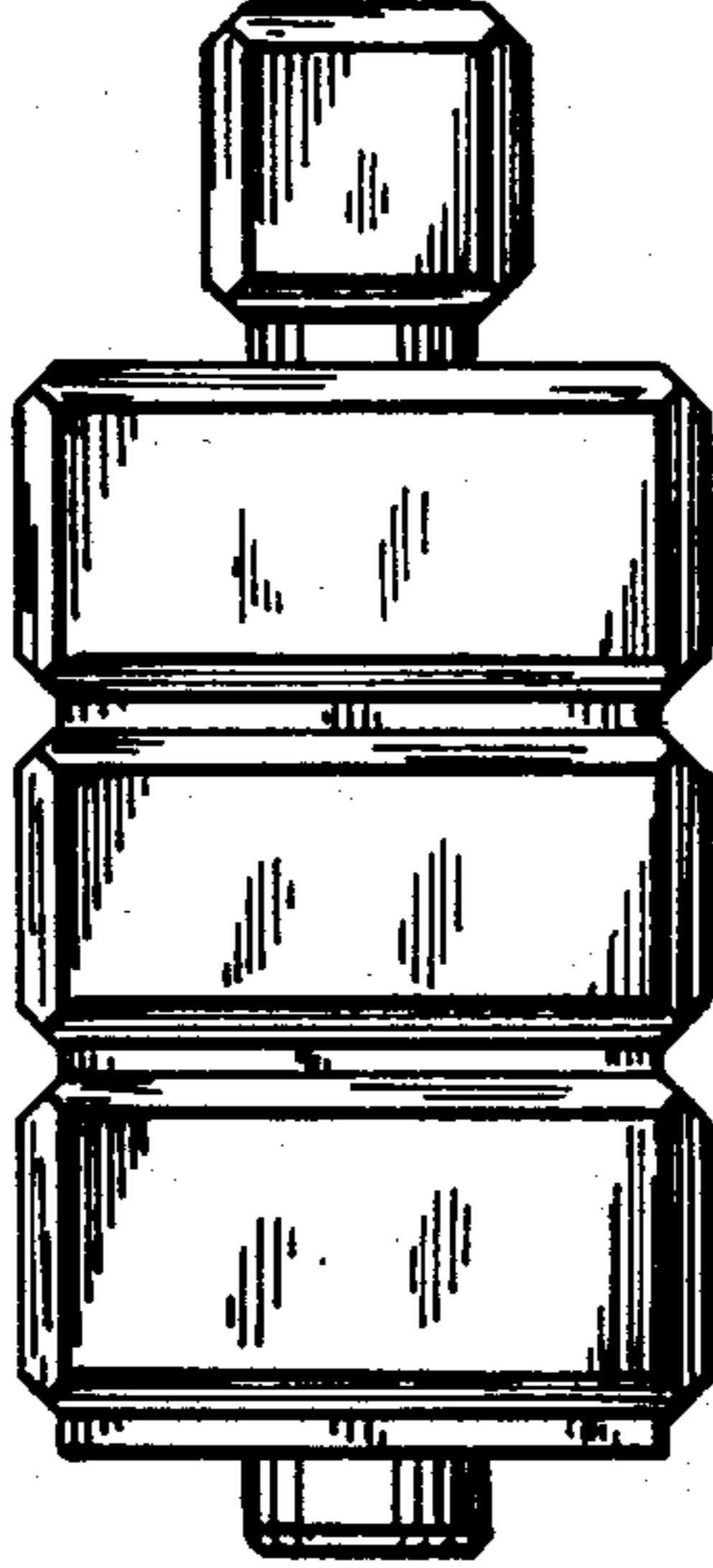
Fig_8



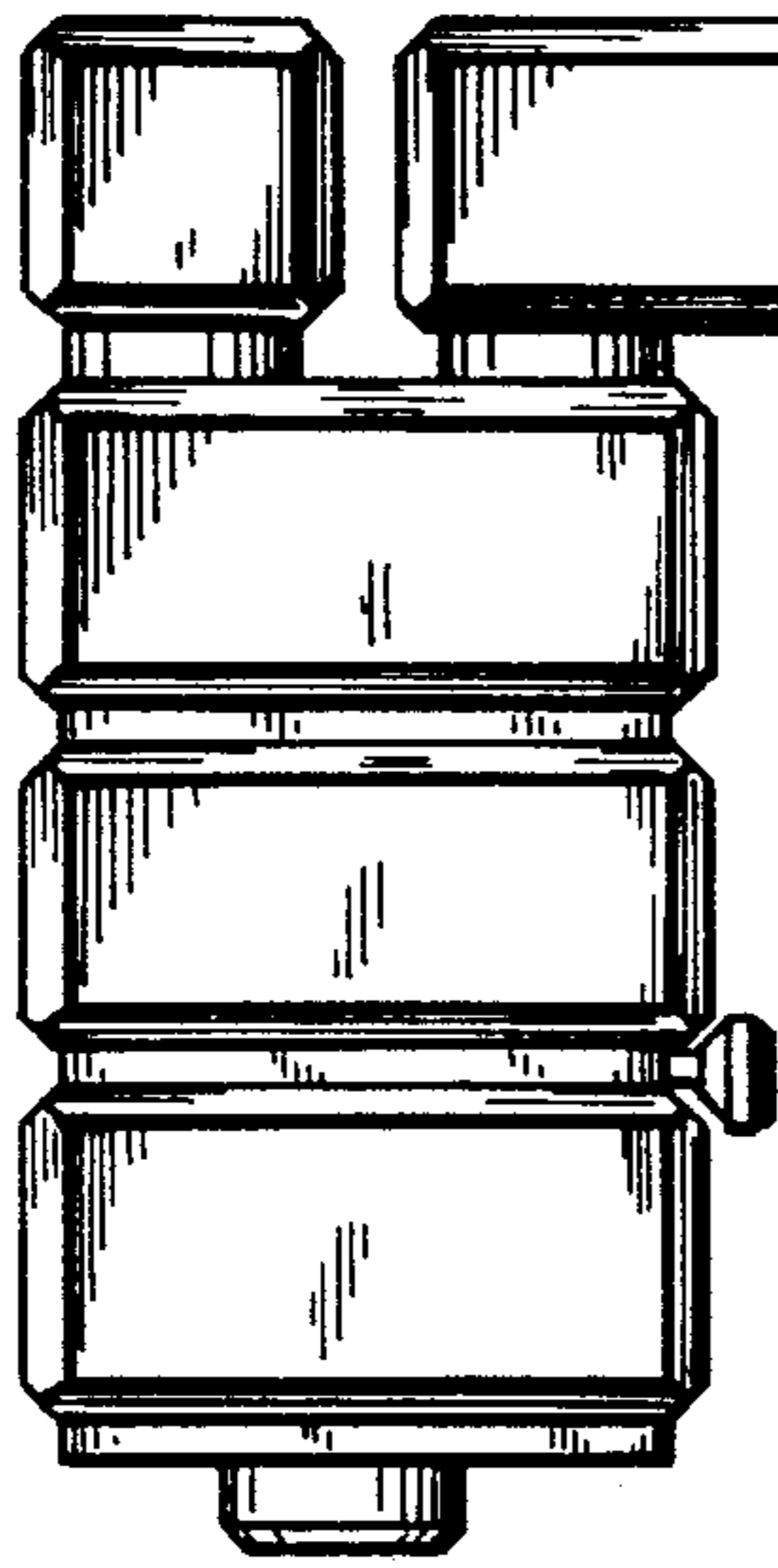
Fig_9



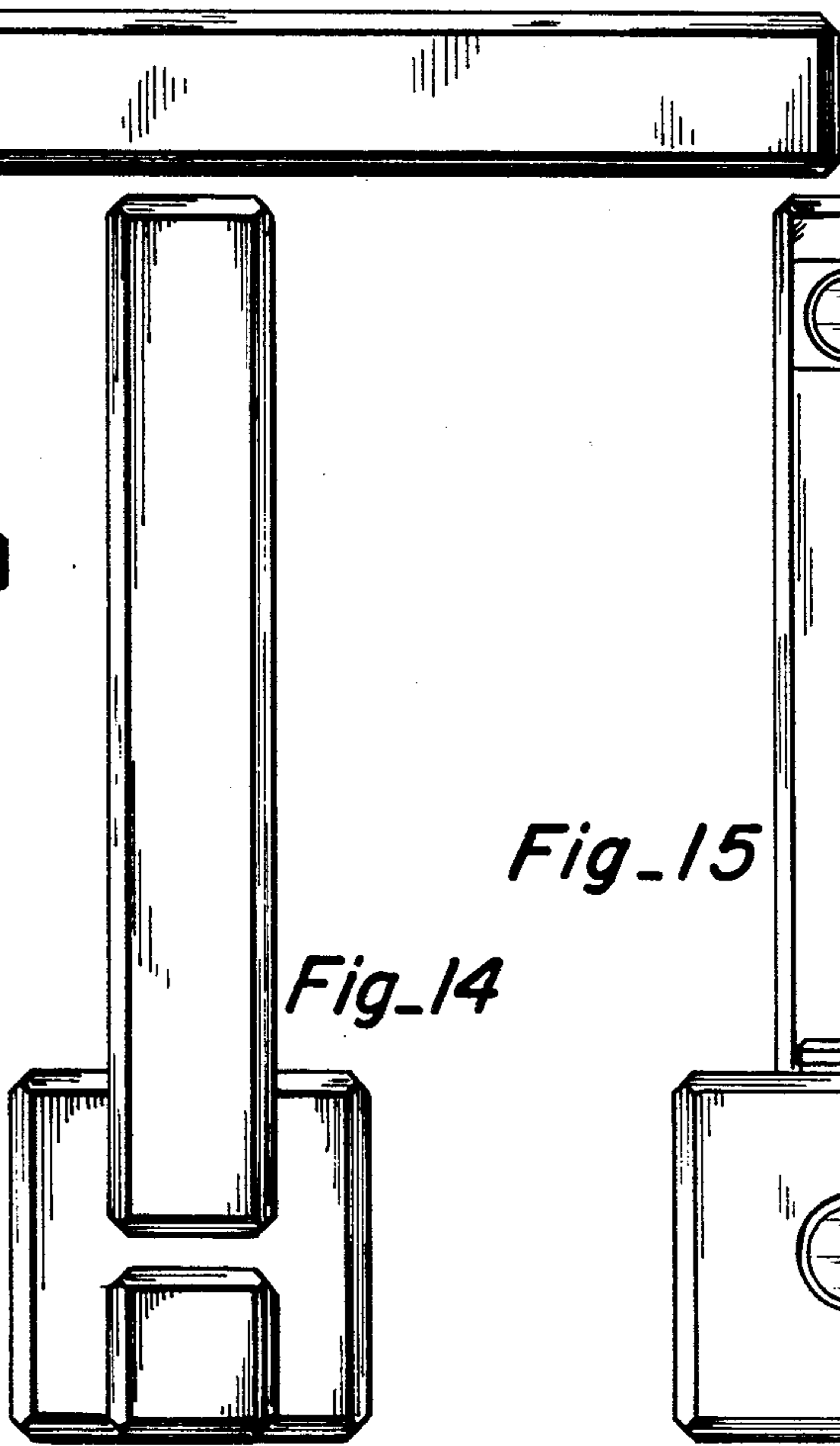
Fig_10



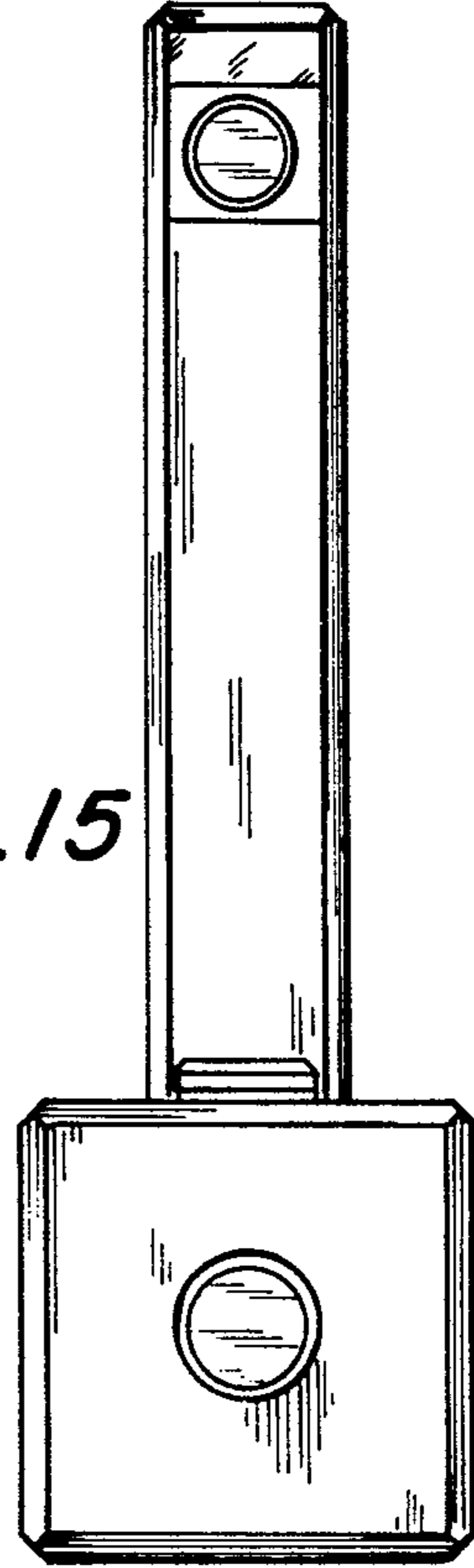
Fig_11



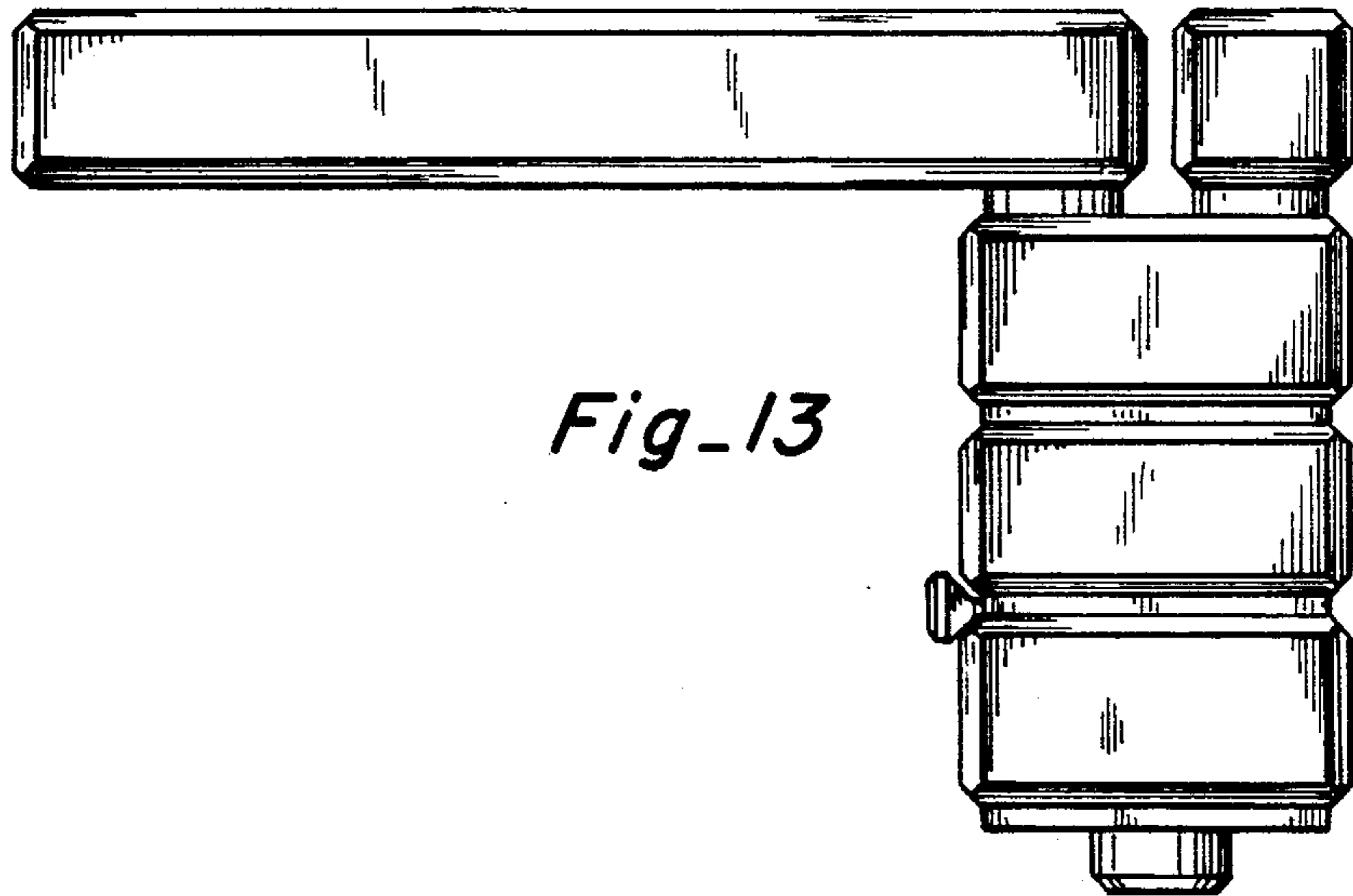
Fig_12



Fig_14



Fig_15



Fig_13