

United States Patent [19]

Gregory

[11] Patent Number: **Des. 291,475**

[45] Date of Patent: **** Aug. 18, 1987**

[54] FAUCET

[76] Inventor: **Stephen O. Gregory**, 2502 Arapahoe St., Denver, Colo. 80205

[**] Term: **14 Years**

[21] Appl. No.: **785,883**

[22] Filed: **Oct. 8, 1985**

[52] U.S. Cl. **D23/23**

[58] Field of Search **D23/23-32;**
4/191, 192; 137/801

[56] **References Cited**

U.S. PATENT DOCUMENTS

D. 65,301	7/1924	Ross	D23/23
D. 83,923	4/1931	Sakier	D23/23
D. 117,171	10/1939	Fraser	D23/23
D. 140,557	3/1945	Stanitz	D23/23
D. 149,196	4/1948	Little	D23/23
D. 149,379	4/1948	Sayre	D23/23
D. 183,672	10/1958	Barker	D23/23
D. 207,985	6/1967	Maguire	D23/23
D. 265,229	6/1982	Paul	D23/25

D. 265,230	6/1982	Paul	D23/25
D. 265,231	6/1982	Paul	D23/25

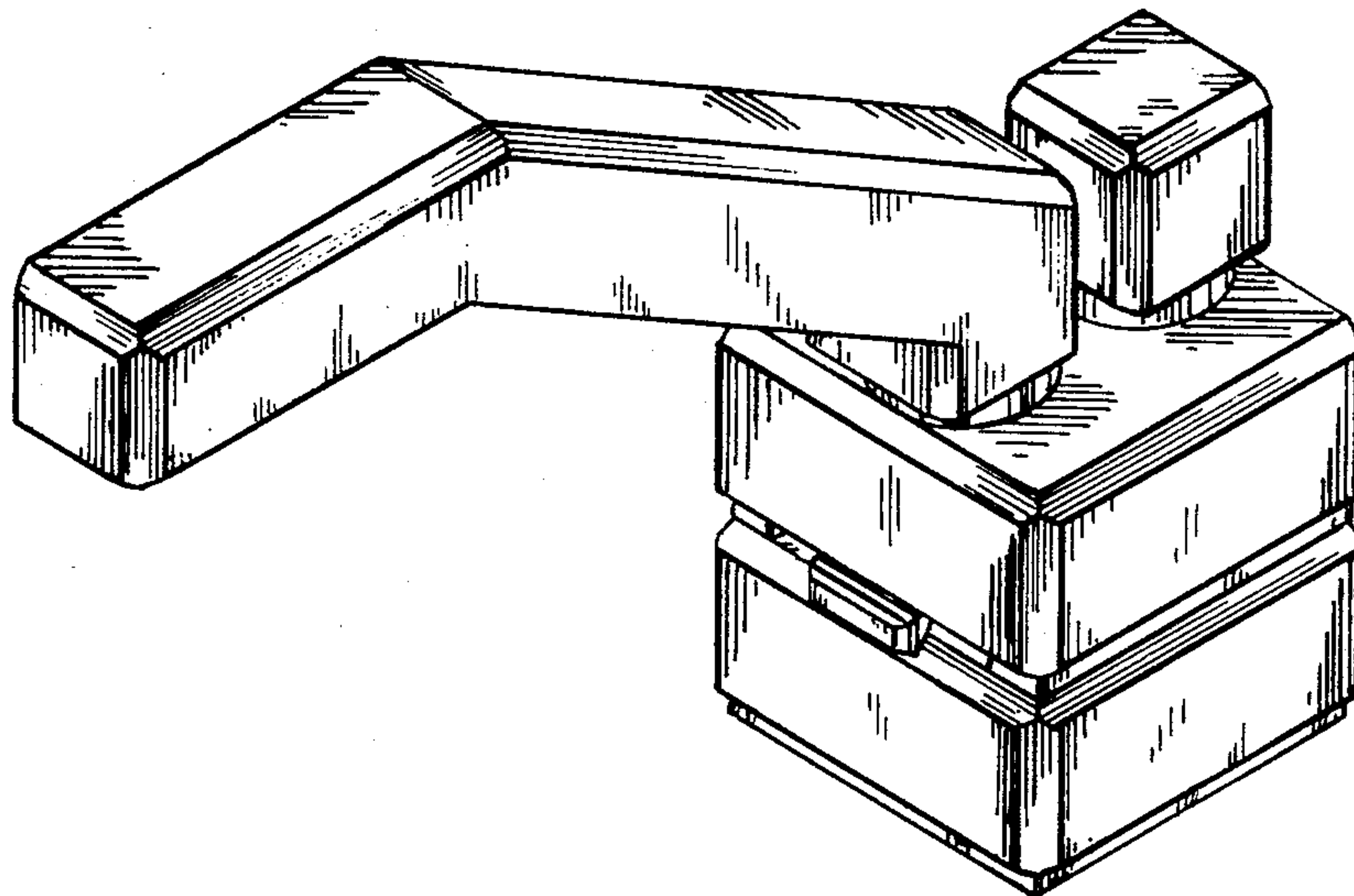
Primary Examiner—James R. Largen
Attorney, Agent, or Firm—Gregg I. Anderson

[57] **CLAIM**

The ornamental design for a faucet, as shown and described.

DESCRIPTION

FIG. 1 is a perspective view of a faucet showing my new design;
FIG. 2 is an enlarged perspective view taken from the top, front and right side thereof;
FIG. 3 is a left side elevational view thereof;
FIG. 4 is a front elevational view thereof;
FIG. 5 is a top plan view thereof;
FIG. 6 is a bottom plan view thereof;
FIG. 7 is a right side elevational view thereof; and
FIG. 8 is a rear elevational view thereof.
The fragmentary broken line representation of a lavatory and cabinet in FIG. 1 is for purposes of illustration only and forms no part of the claimed design.



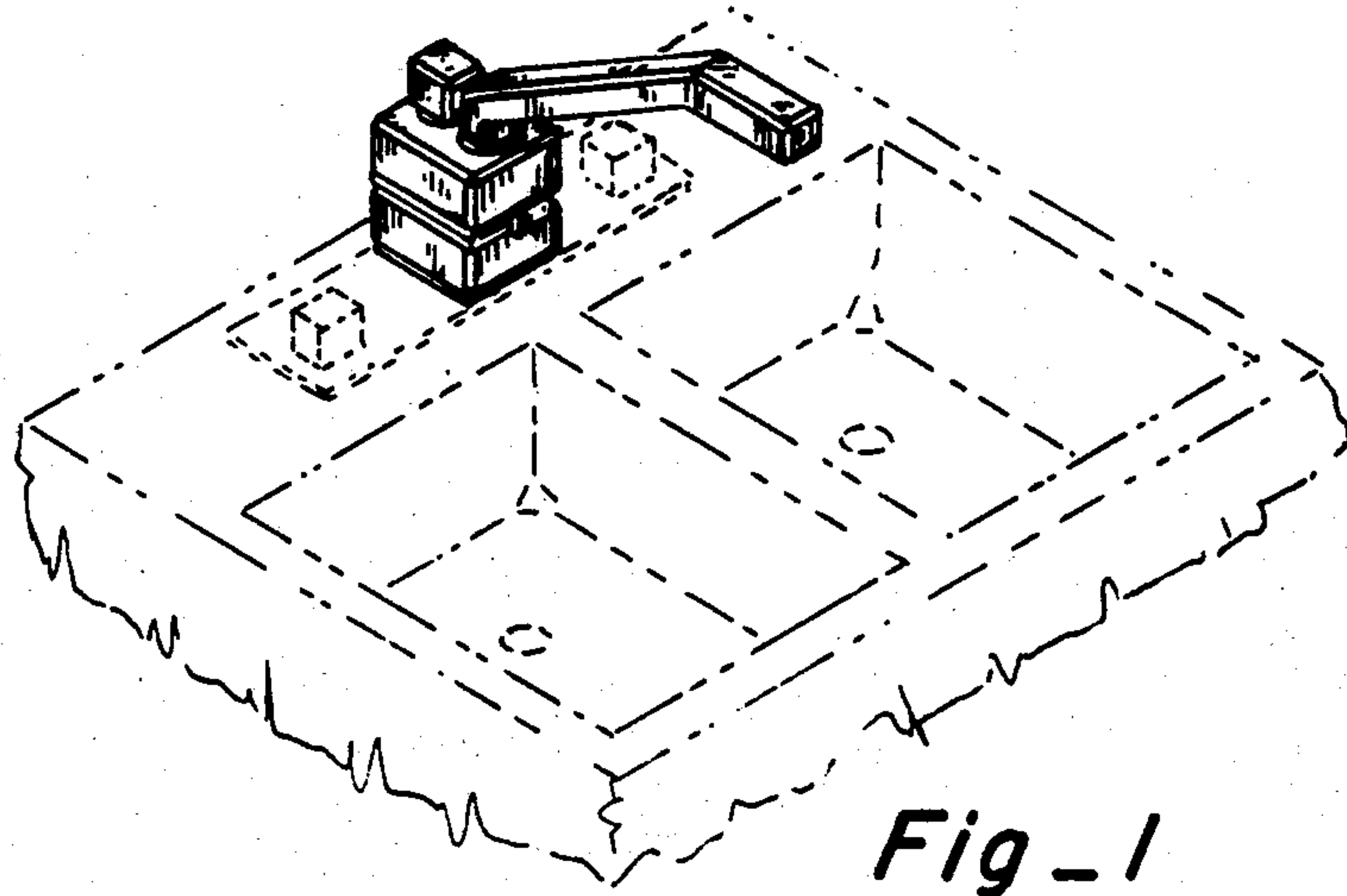


Fig-1

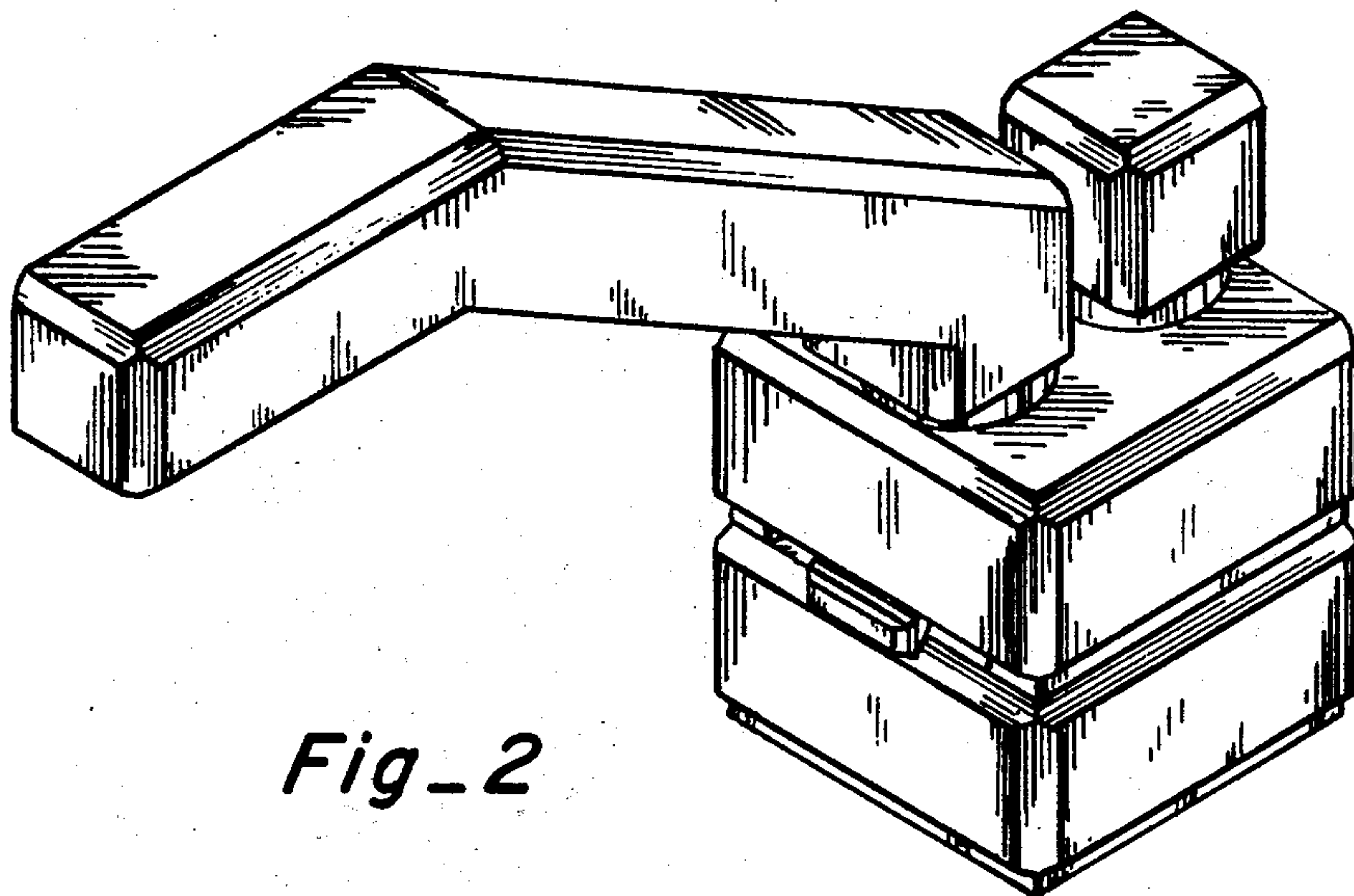


Fig-2

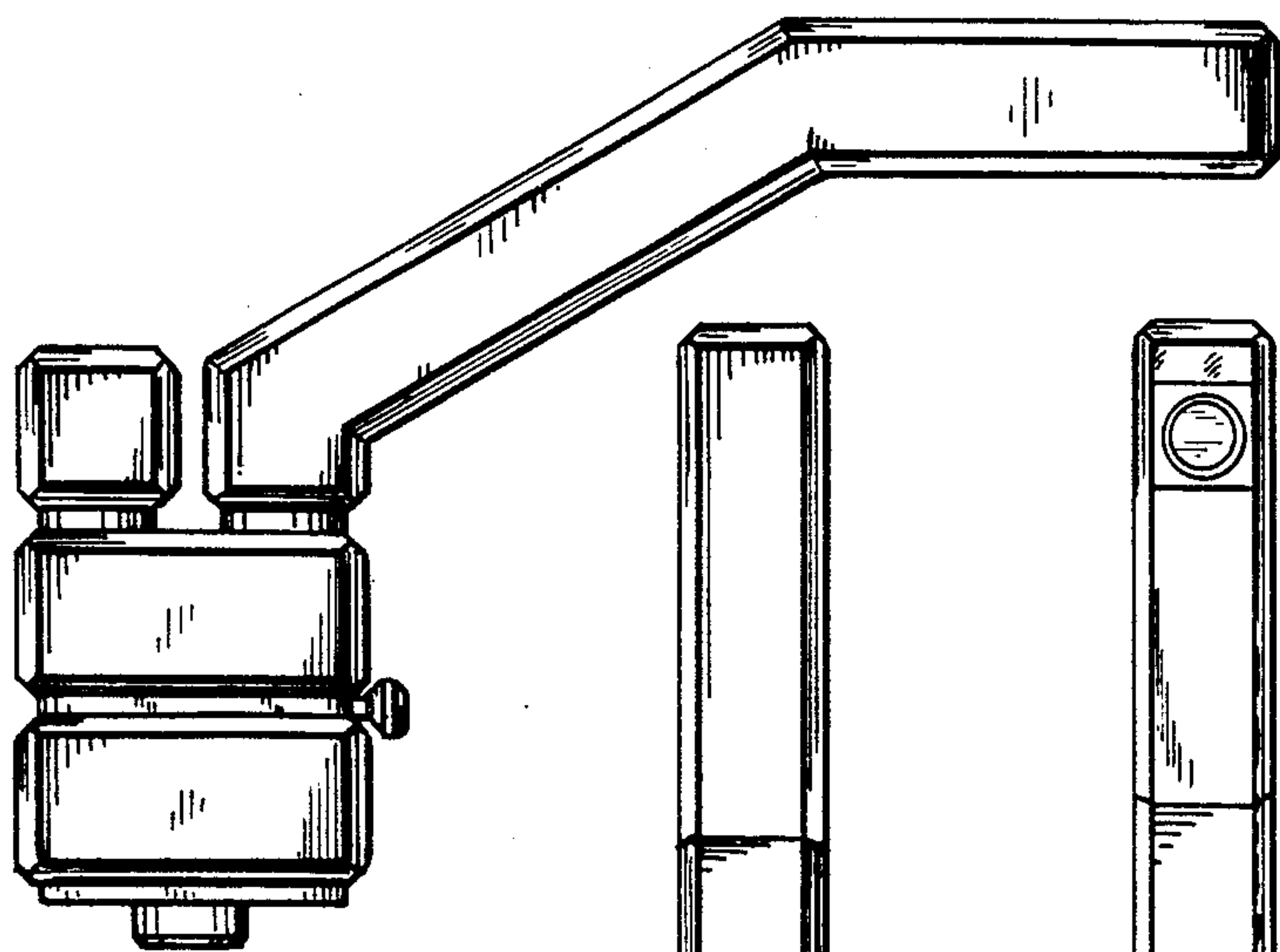


Fig. 3

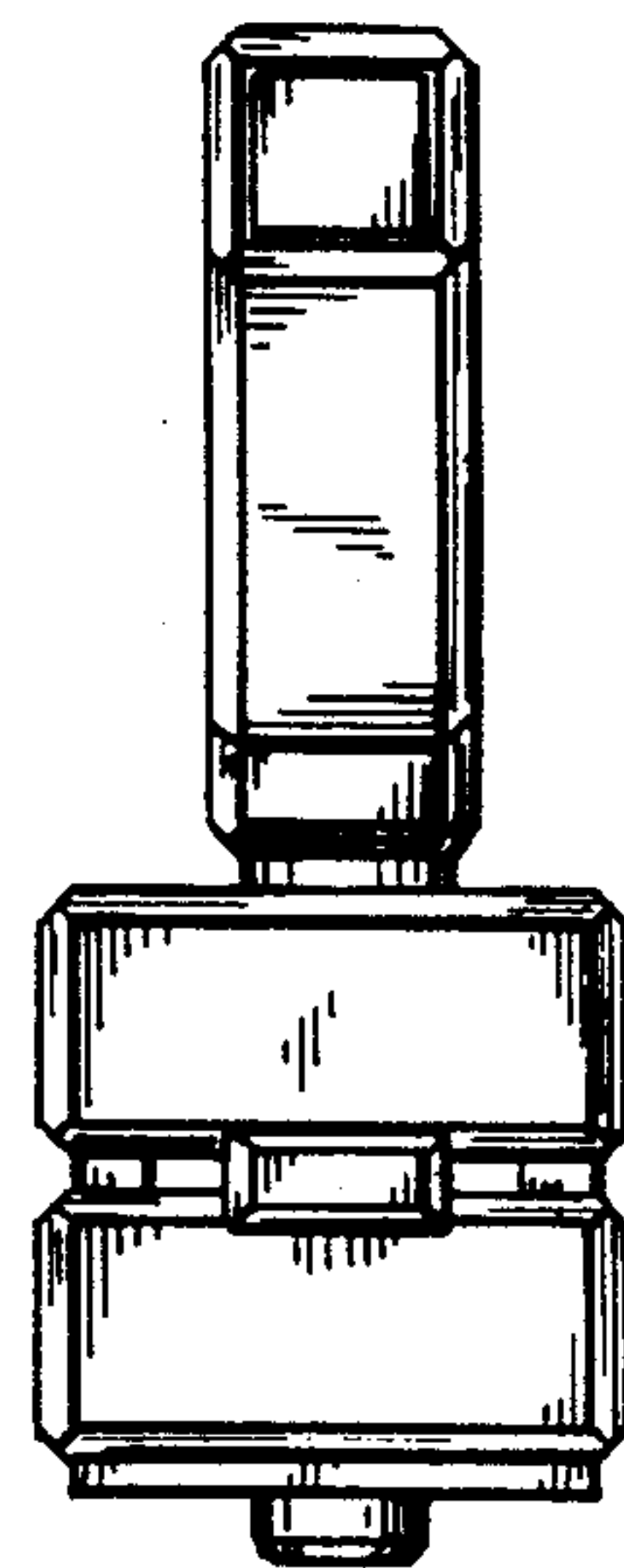


Fig. 4

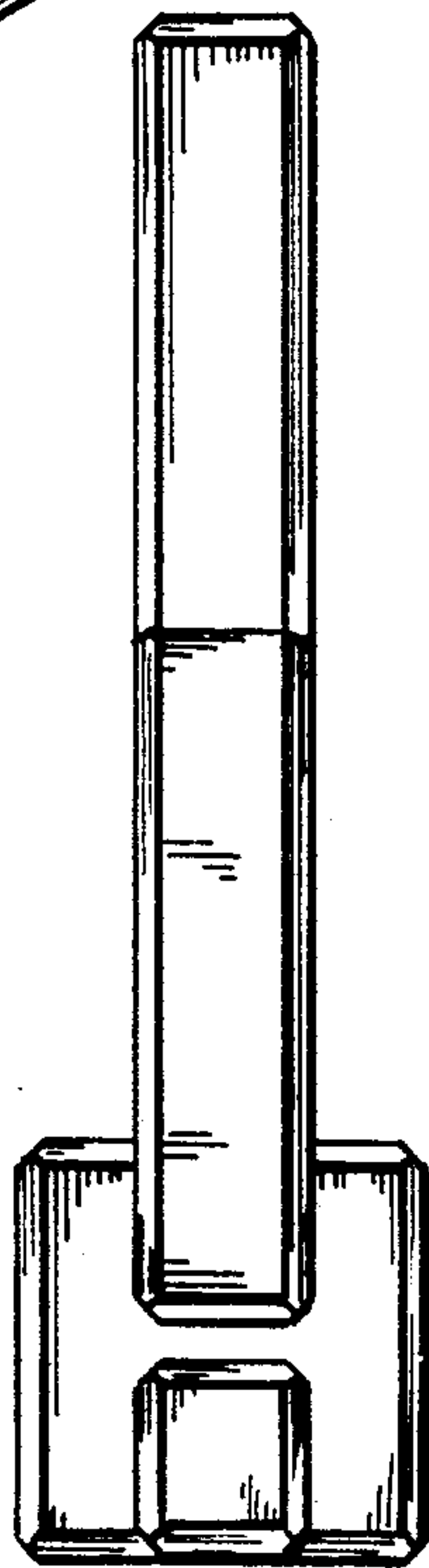


Fig. 5

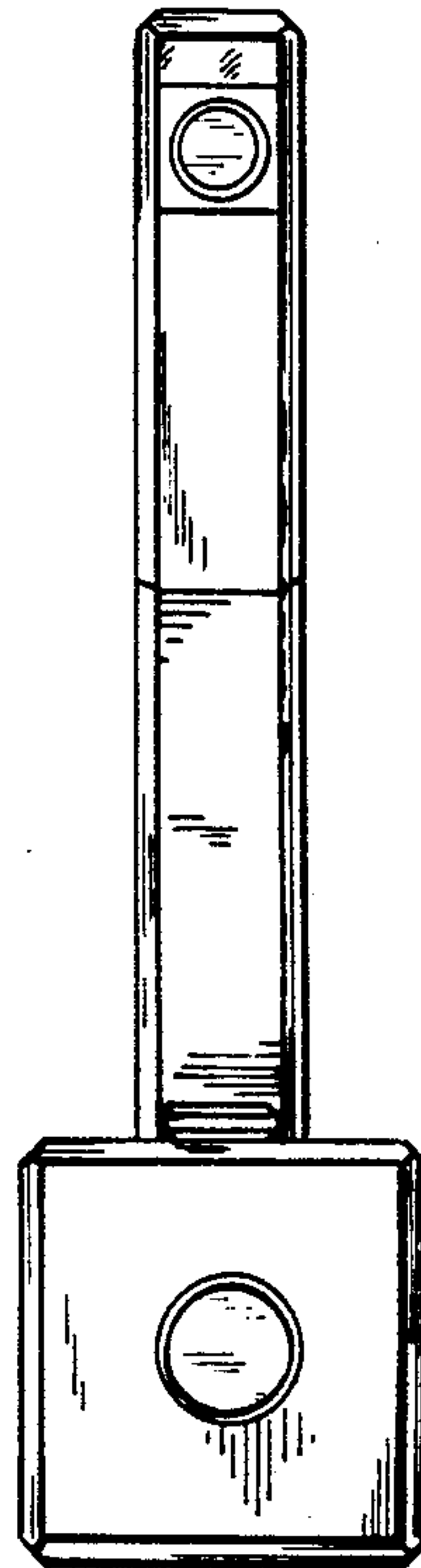


Fig. 6

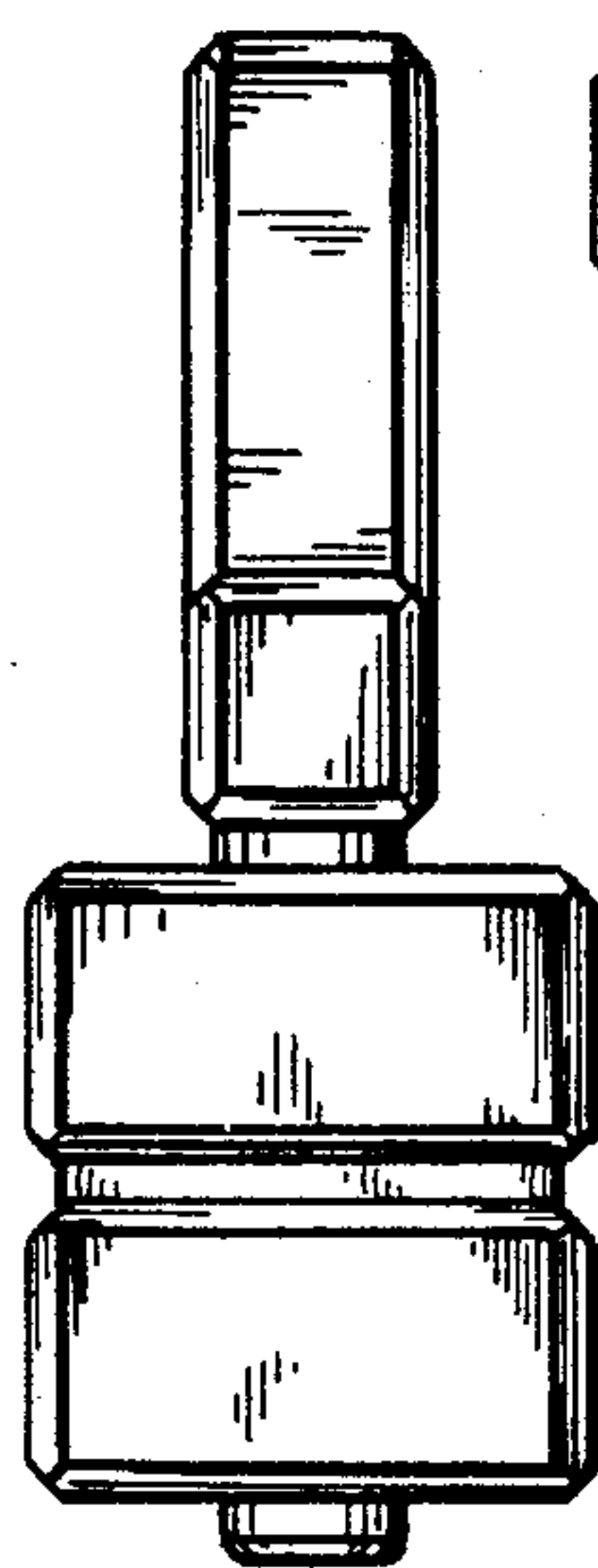


Fig. 8

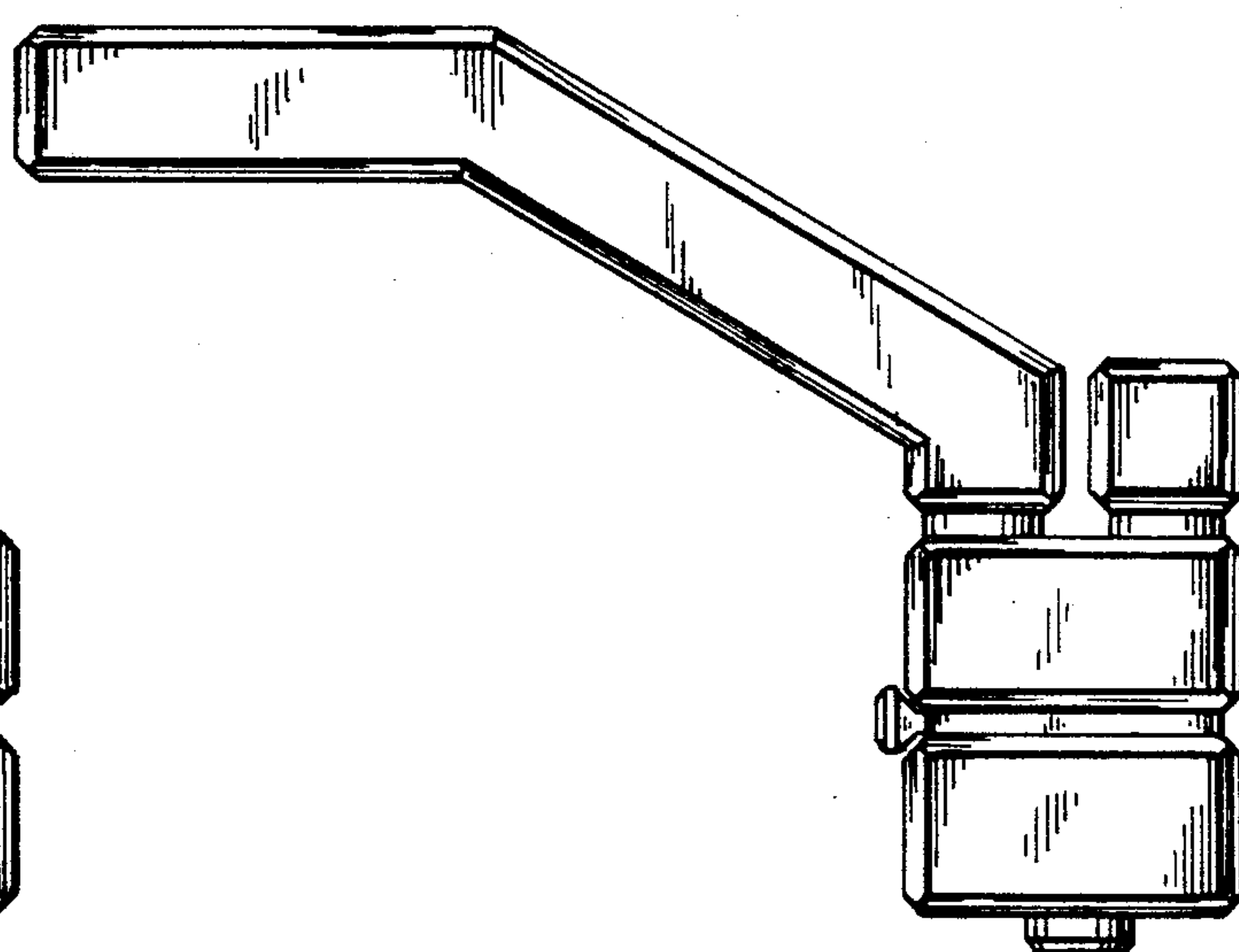


Fig. 7