

United States Patent [19]
Scheuring

[11] Patent Number: **Des. 291,474**
[45] Date of Patent: **** Aug. 18, 1987**

[54] **MUZZLE LOADER**

[76] Inventor: **Melvin W. Scheuring**, 18053 Bennett Rd., North Royalton, Ohio 44133

[**] Term: **14 Years**

[21] Appl. No.: **645,793**

[22] Filed: **Aug. 30, 1984**

[52] U.S. Cl. **D22/199**

[58] Field of Search **D22/199, 23, 25, 31; 42/90; 86/23, 24, 45, 46**

[56] **References Cited**

U.S. PATENT DOCUMENTS

D. 231,983	7/1974	Rodger	D22/199
D. 247,784	2/1976	Lee	D22/199
4,473,965	10/1984	Eriksen	42/90
4,607,446	8/1986	Scheusing	49/90

Primary Examiner—Wallace R. Burke

Assistant Examiner—Ruth E. Takemoto
Attorney, Agent, or Firm—Shlesinger, Arkwright, Garvey & Fado

[57] **CLAIM**

The ornamental design for a muzzle loader, as shown and described.

DESCRIPTION

FIG. 1 is a top plan view of a muzzle loader showing my new design;
FIG. 2 is a bottom plan view thereof;
FIG. 3 is a front elevational view thereof;
FIG. 4 is a rear elevational view thereof;
FIG. 5 is a right side elevational view thereof;
FIG. 6 is a left side elevational view thereof; and
FIG. 7 is a perspective view thereof. The cord shown in FIGS. 1, 3, 4, 5, 6 and 7 is of indeterminate length. The starter is shown broken away in FIGS. 1, 2 and 6 for ease of illustration.

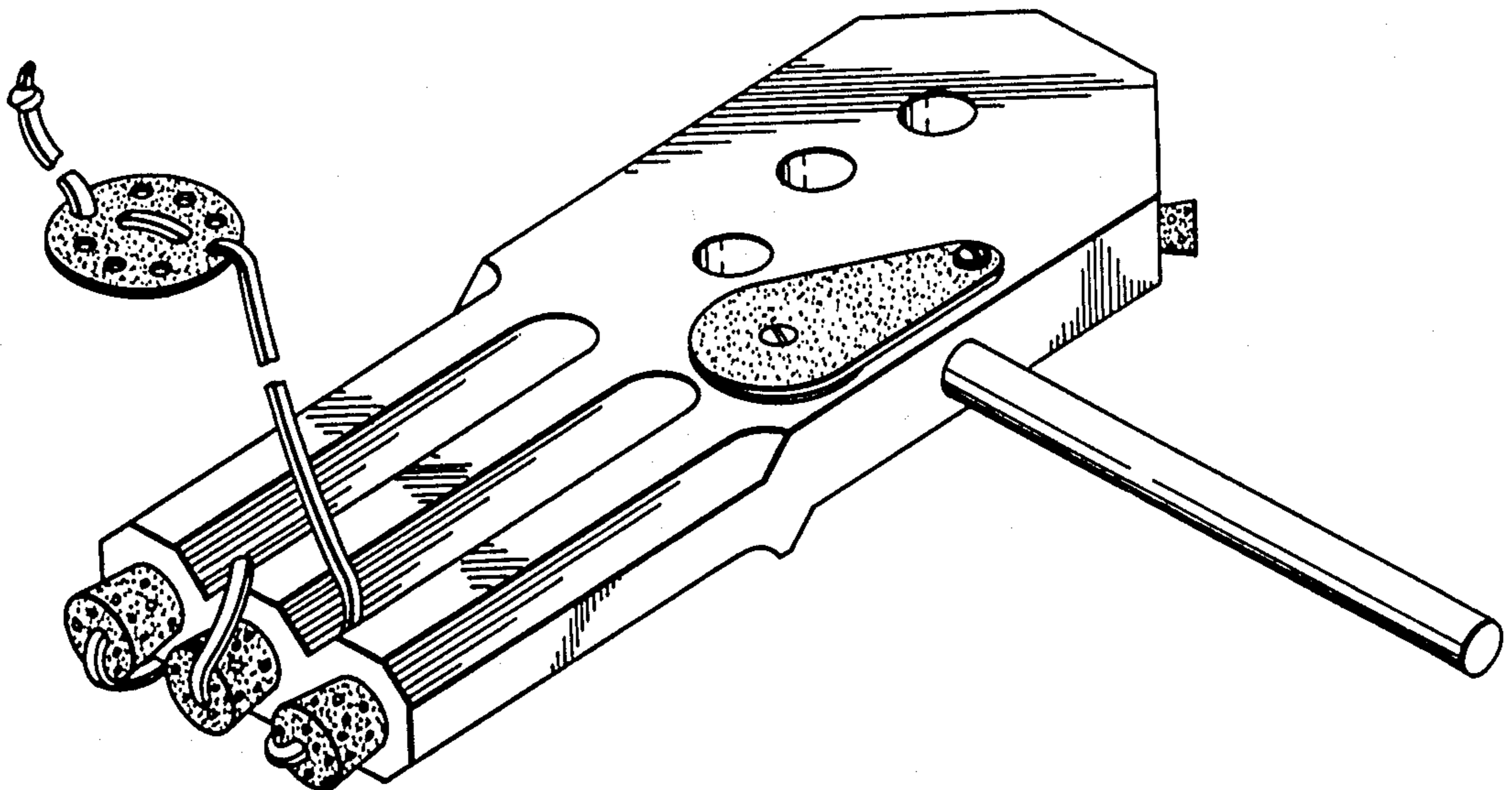


FIG 1

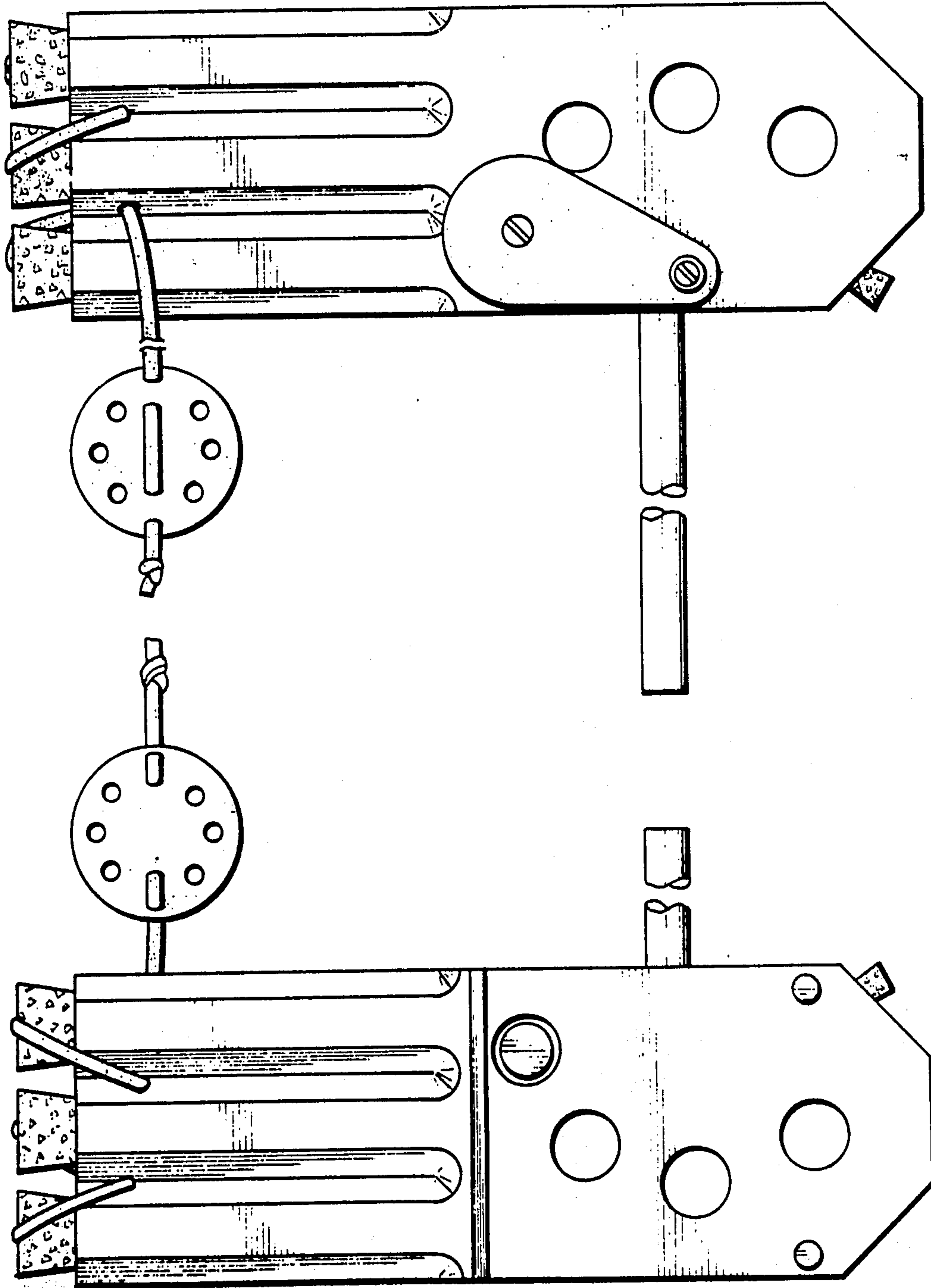


FIG 2

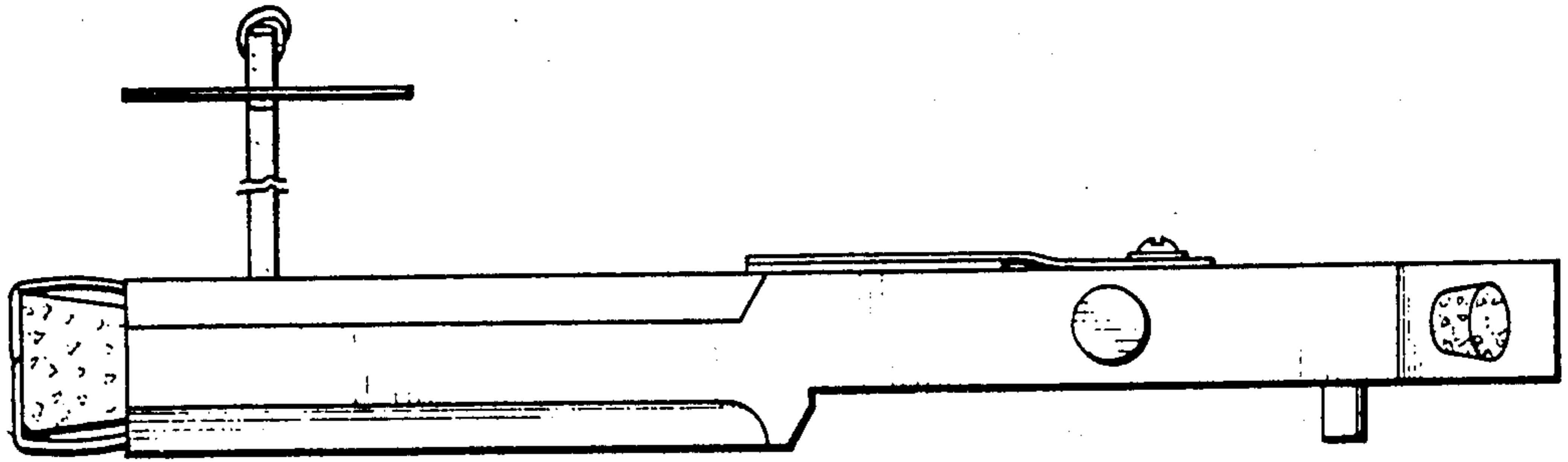


FIG 3

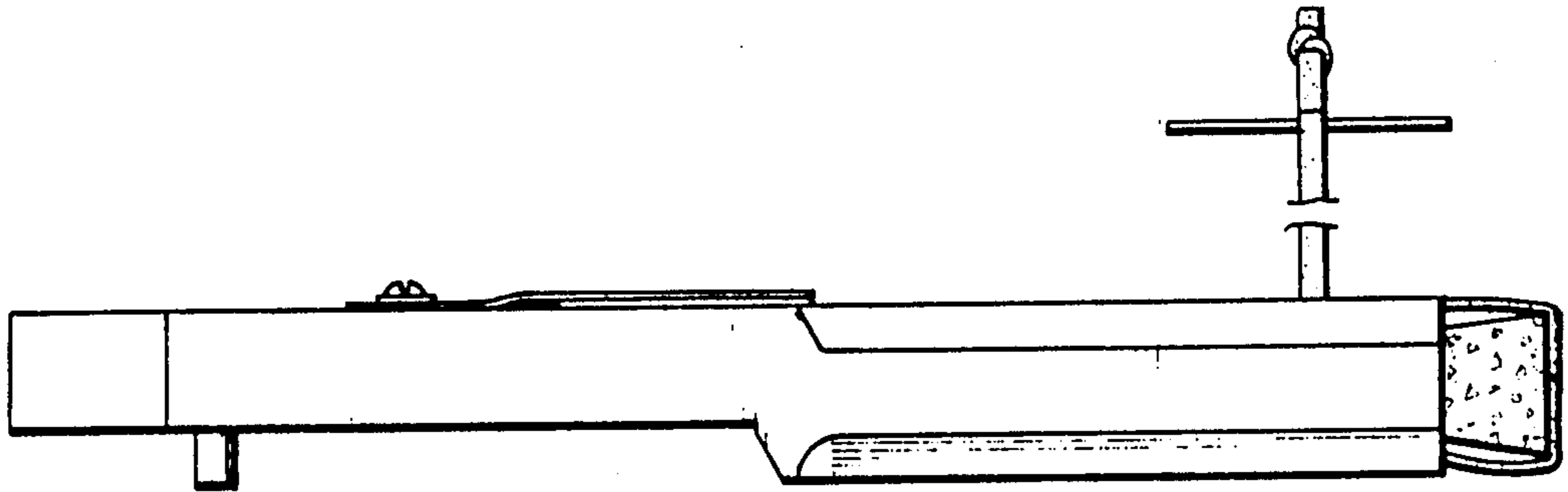


FIG 4

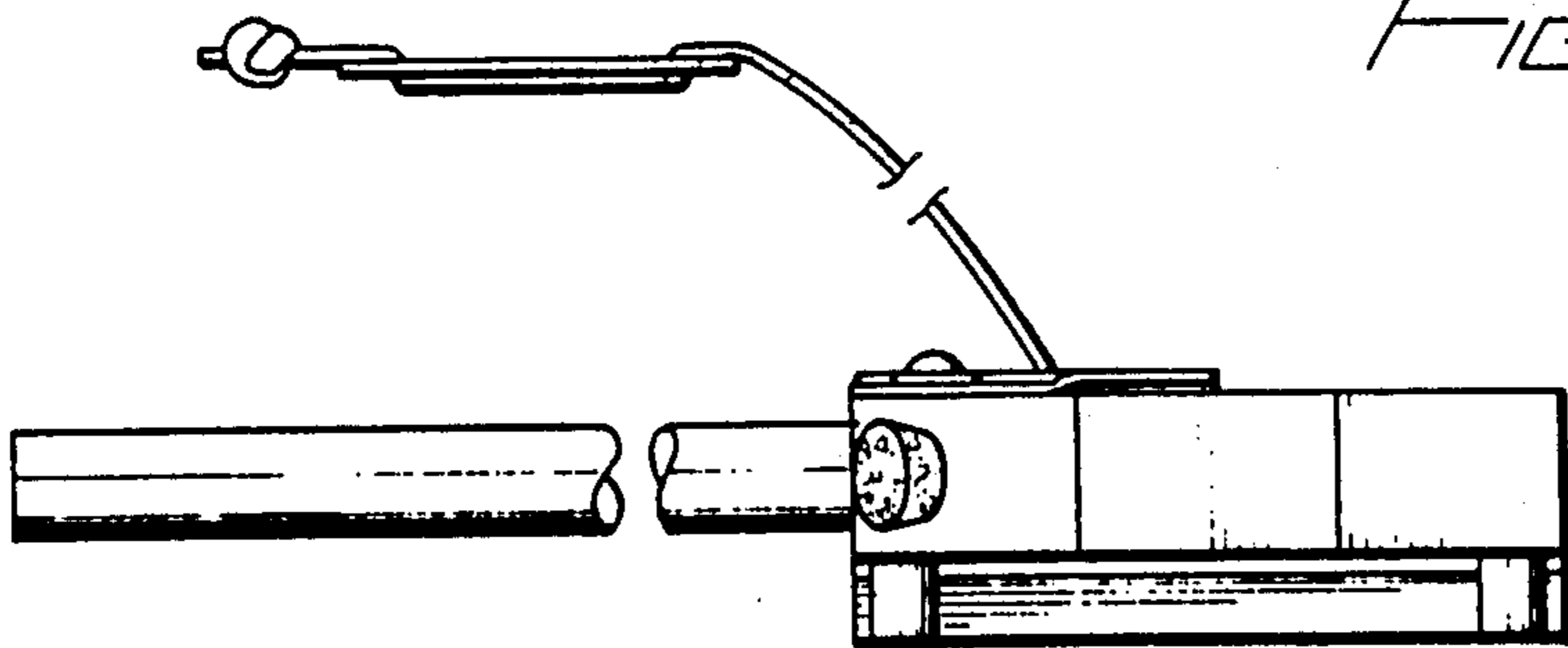
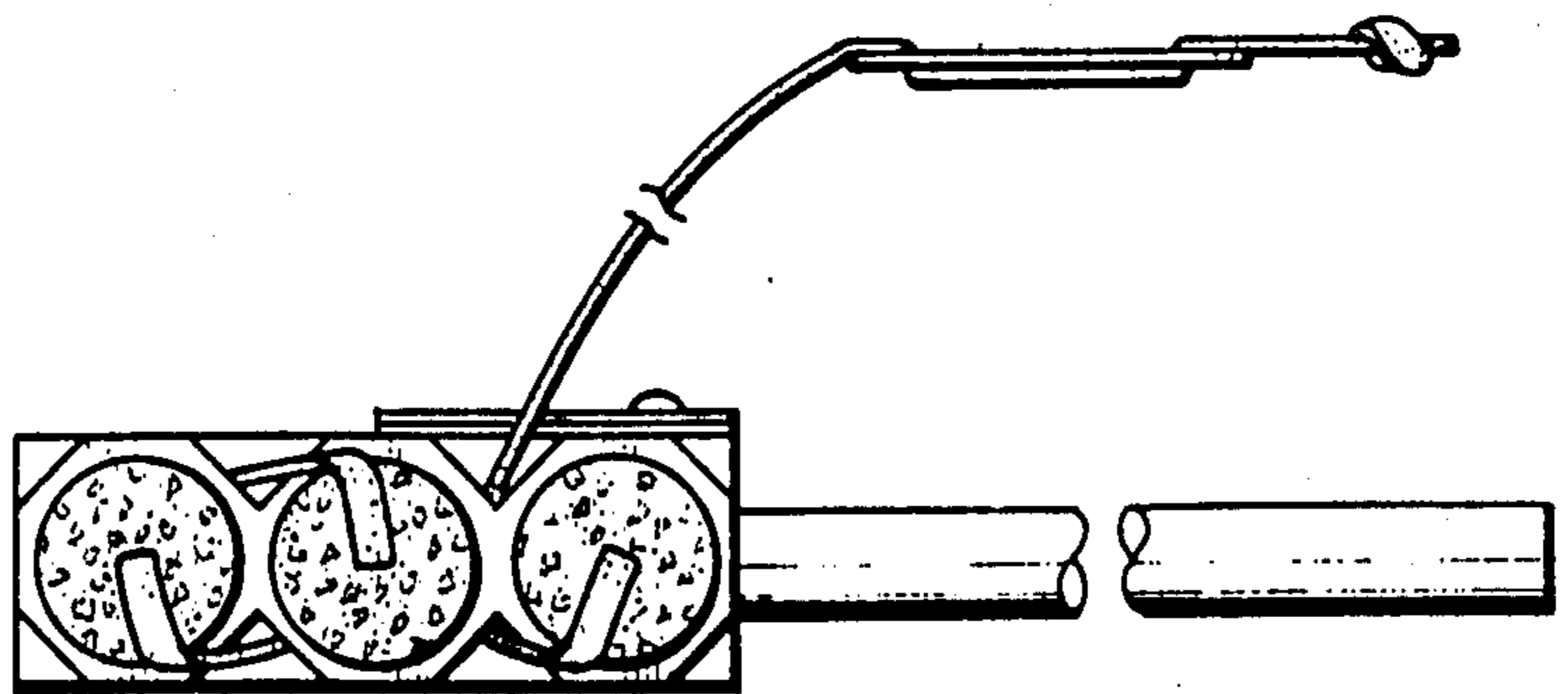


FIG 5



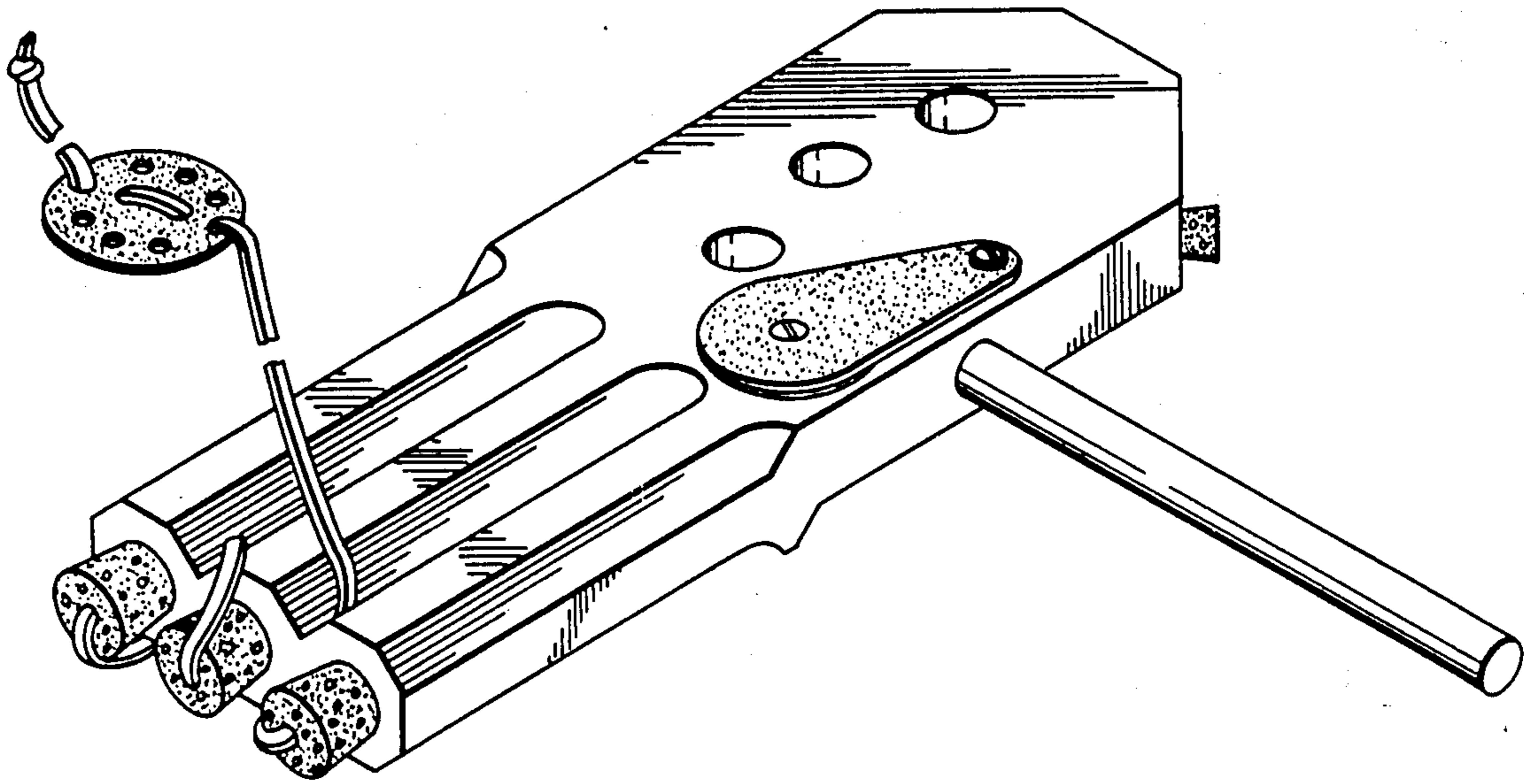


FIG 7