

[54] **FISHING REEL**

[75] **Inventor: Hideo Nakamura, Tokyo, Japan**

[73] **Assignee: Daiwa Seiko, Inc., Japan**

[\*\*] **Term: 14 Years**

[21] **Appl. No.: 675,667**

[22] **Filed: Nov. 28, 1984**

[30] **Foreign Application Priority Data**

May 28, 1984 [JP] Japan ..... 59-21703

[52] **U.S. Cl. .... D22/140**

[58] **Field of Search .... D22/140, 141;  
242/84.1 R, 84.1 J, 84.2 R-84.2 J, 84.21 R,  
84.22 A**

[56] **References Cited**

**U.S. PATENT DOCUMENTS**

D. 258,904 4/1981 Myojo ..... D22/140

D. 266,184 9/1982 Iinuma ..... D22/140

*Primary Examiner*—A. Hugo Word  
*Attorney, Agent, or Firm*—Sughrue, Mion, Zinn,  
Macpeak, and Seas

[57] **CLAIM**

The ornamental design for a fishing reel, as shown.

**DESCRIPTION**

FIG. 1 is a perspective view of the top, front and one side of a fishing reel showing my new design;

FIG. 2 is a perspective view showing the top, front and opposite side thereof;

FIG. 3 is a perspective view showing the top, one side and rear thereof;

FIG. 4 is a side elevation view of one side thereof;

FIG. 5 is a side elevation view of the opposite side thereof;

FIG. 6 is a front elevation view thereof;

FIG. 7 is a rear elevation view thereof;

FIG. 8 is a top plan view thereof; and

FIG. 9 is a bottom plan view thereof.

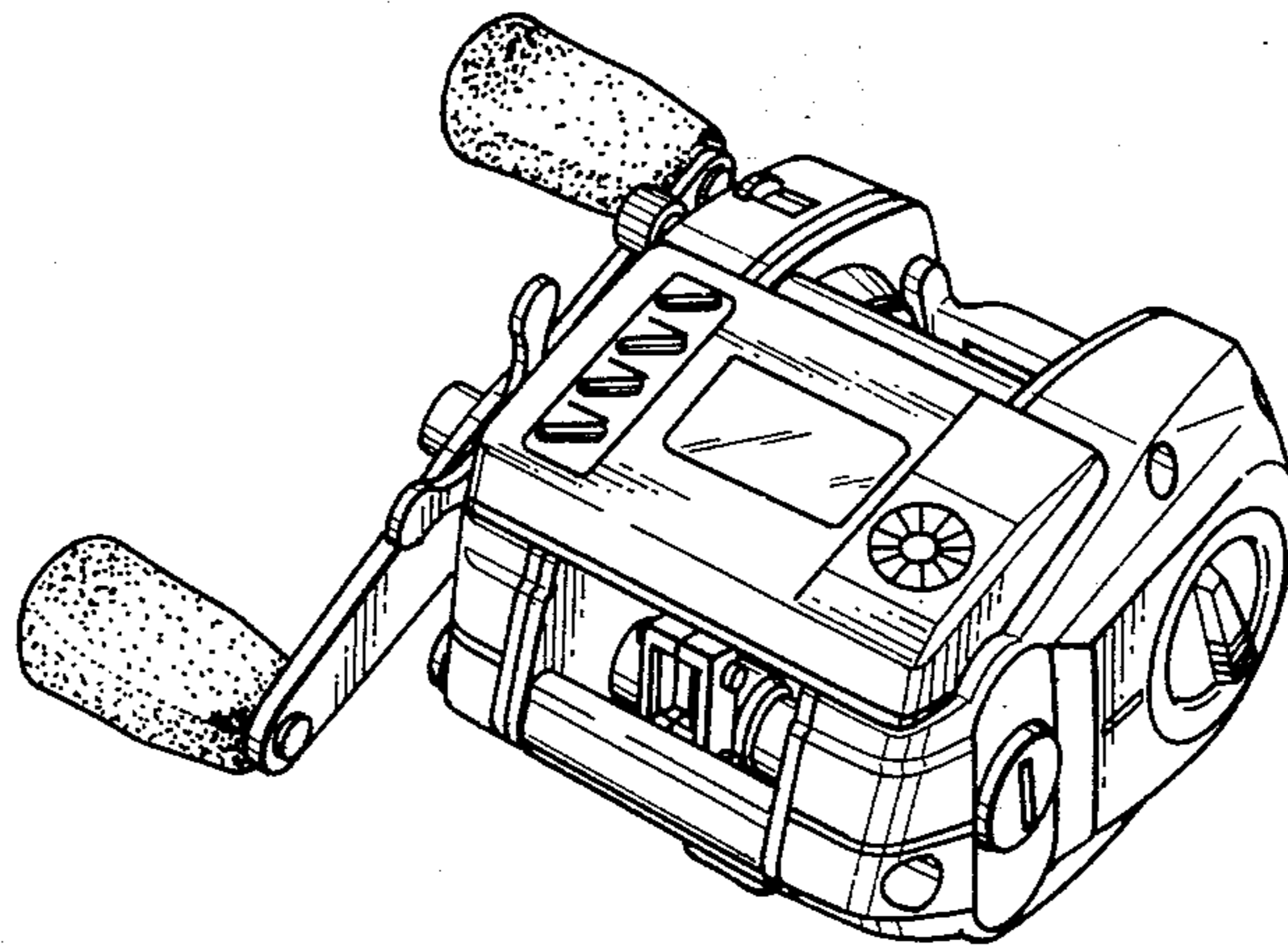


Fig. 1

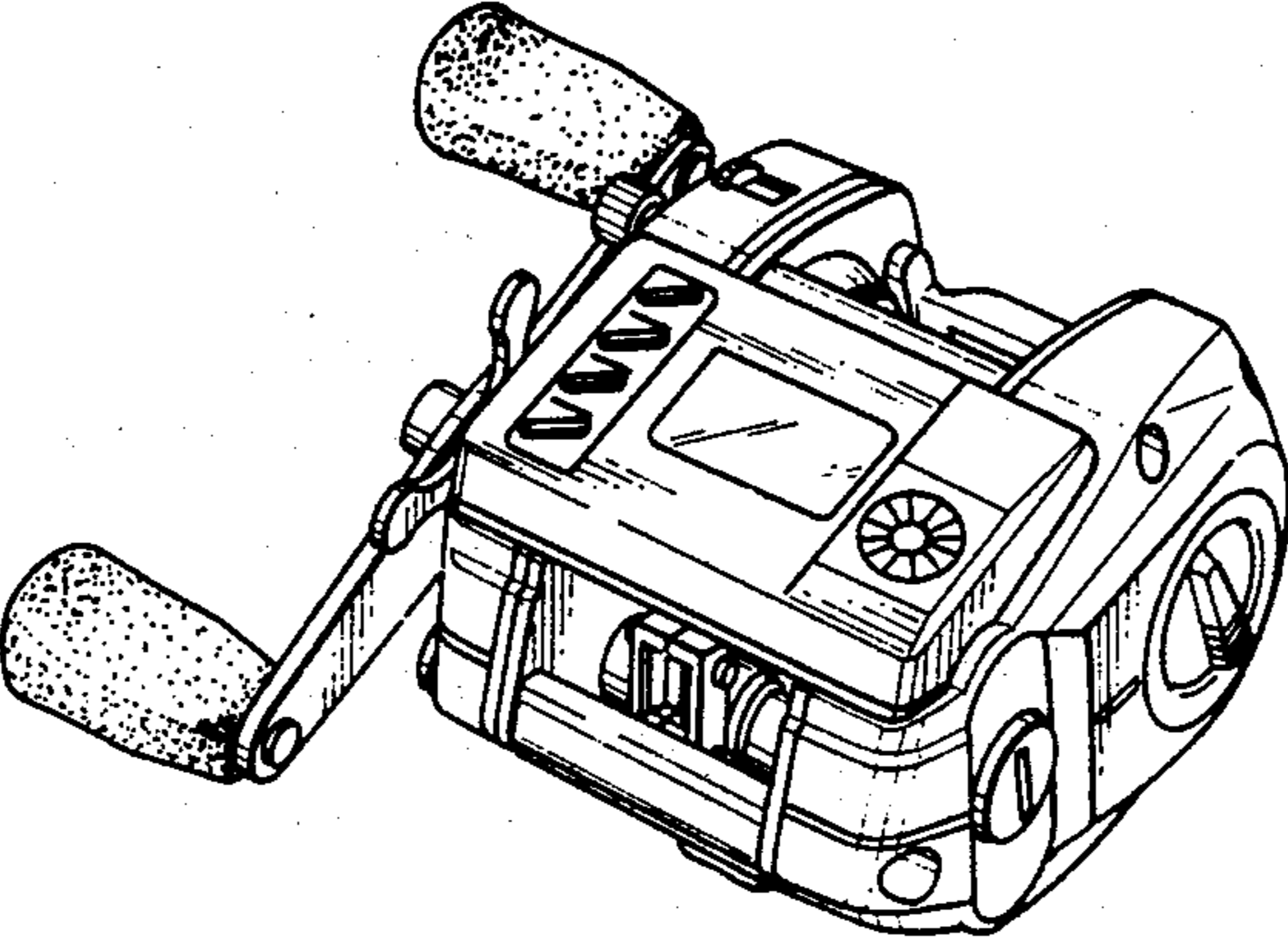
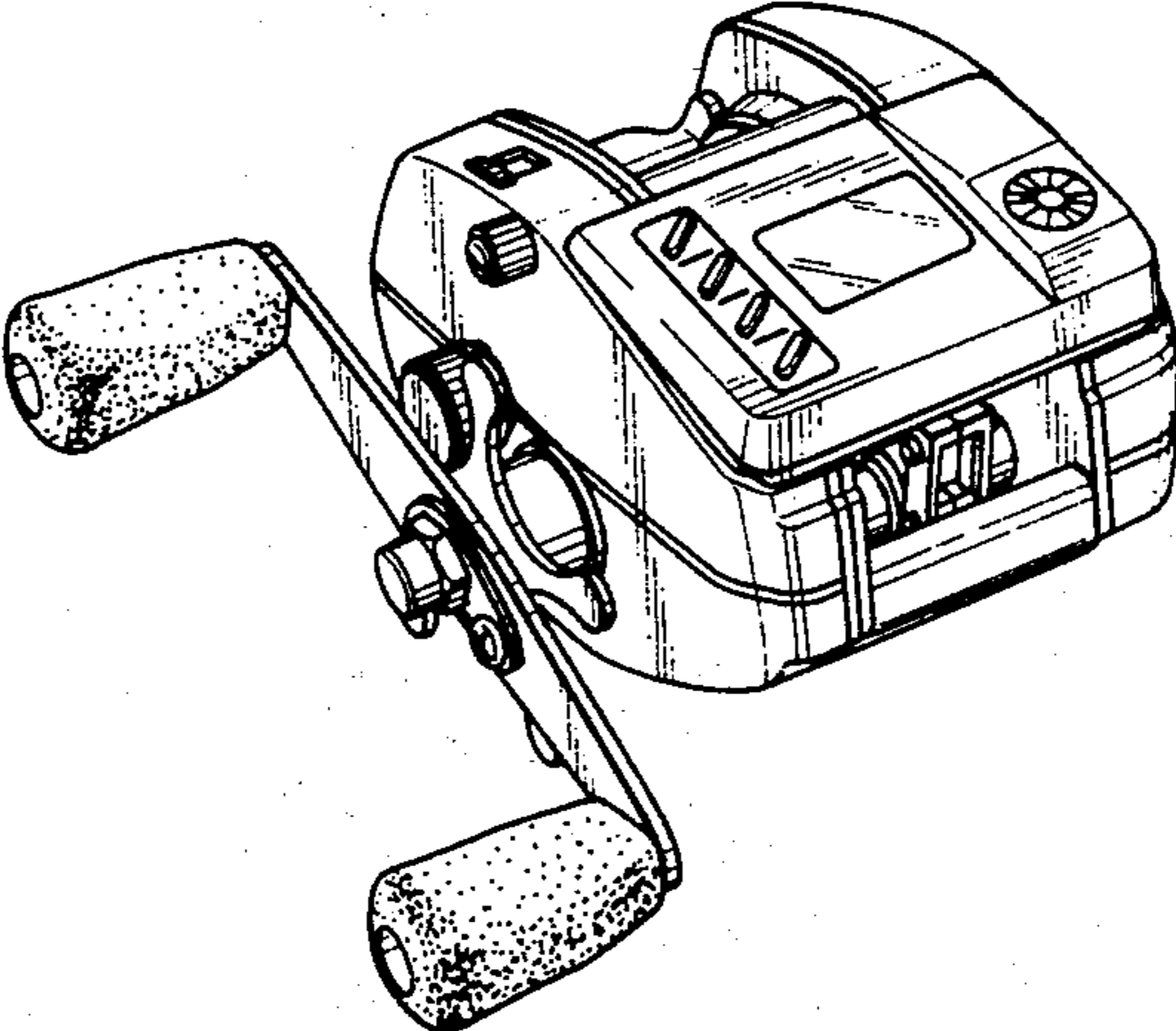
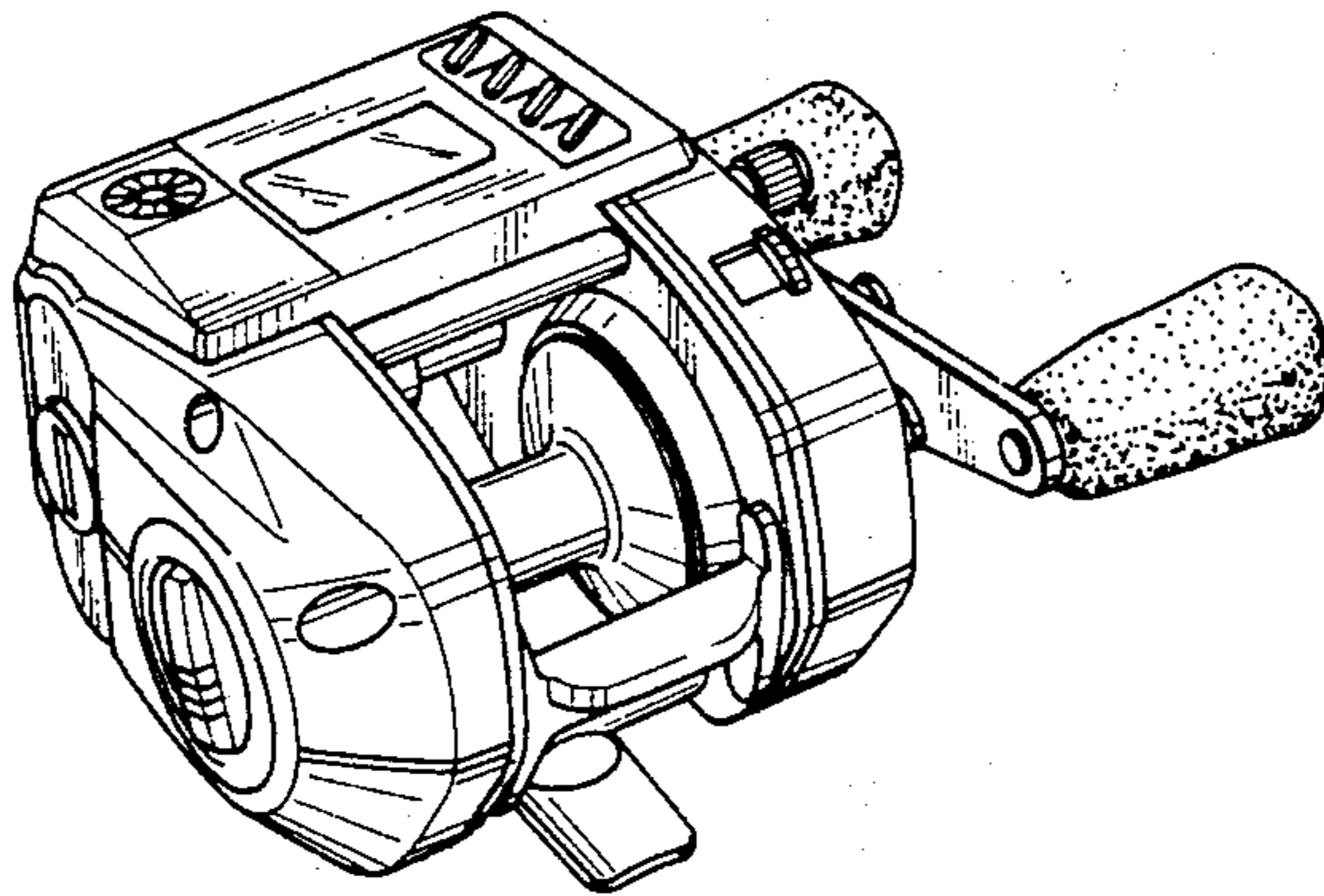


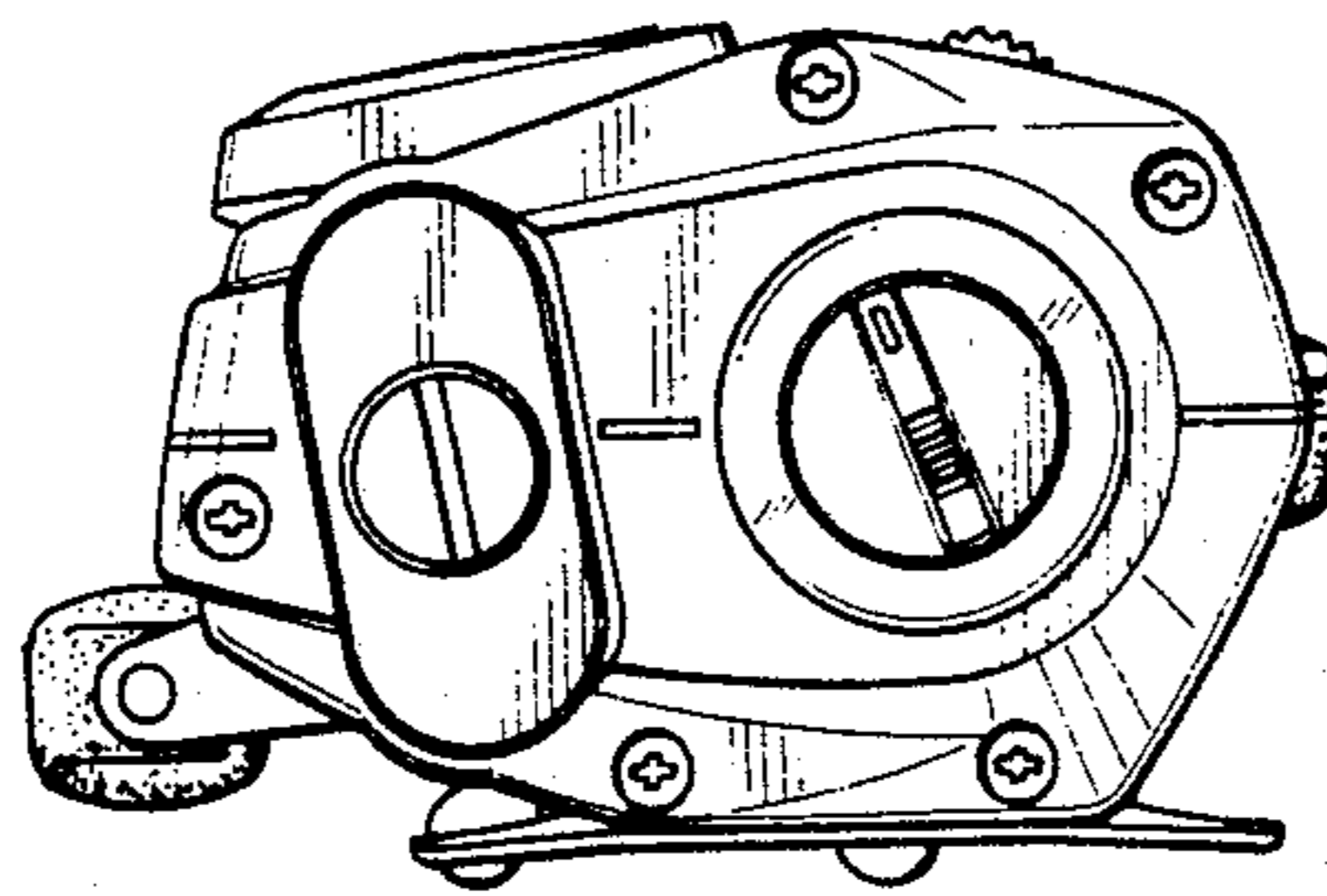
Fig. 2



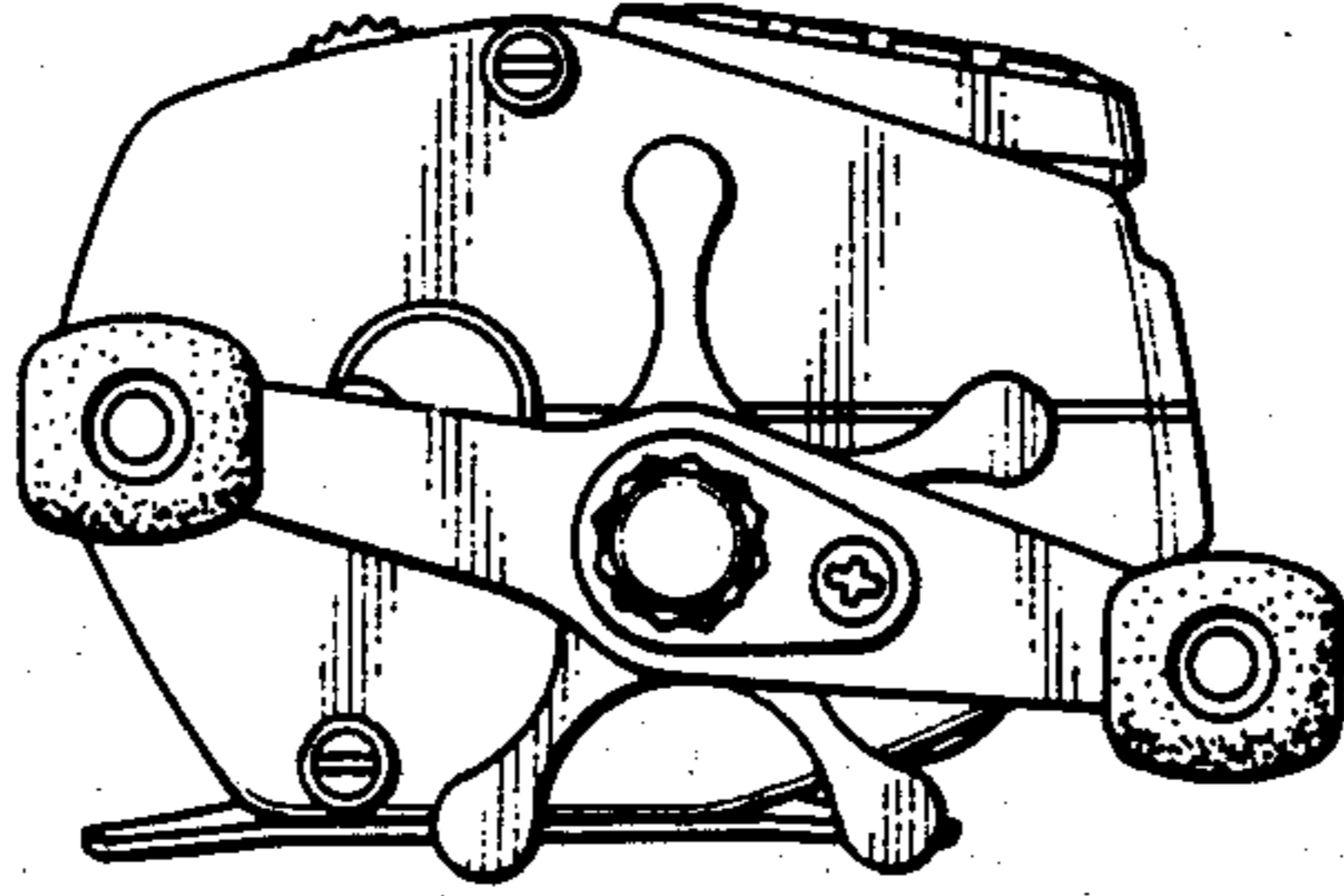
*Fig. 3*



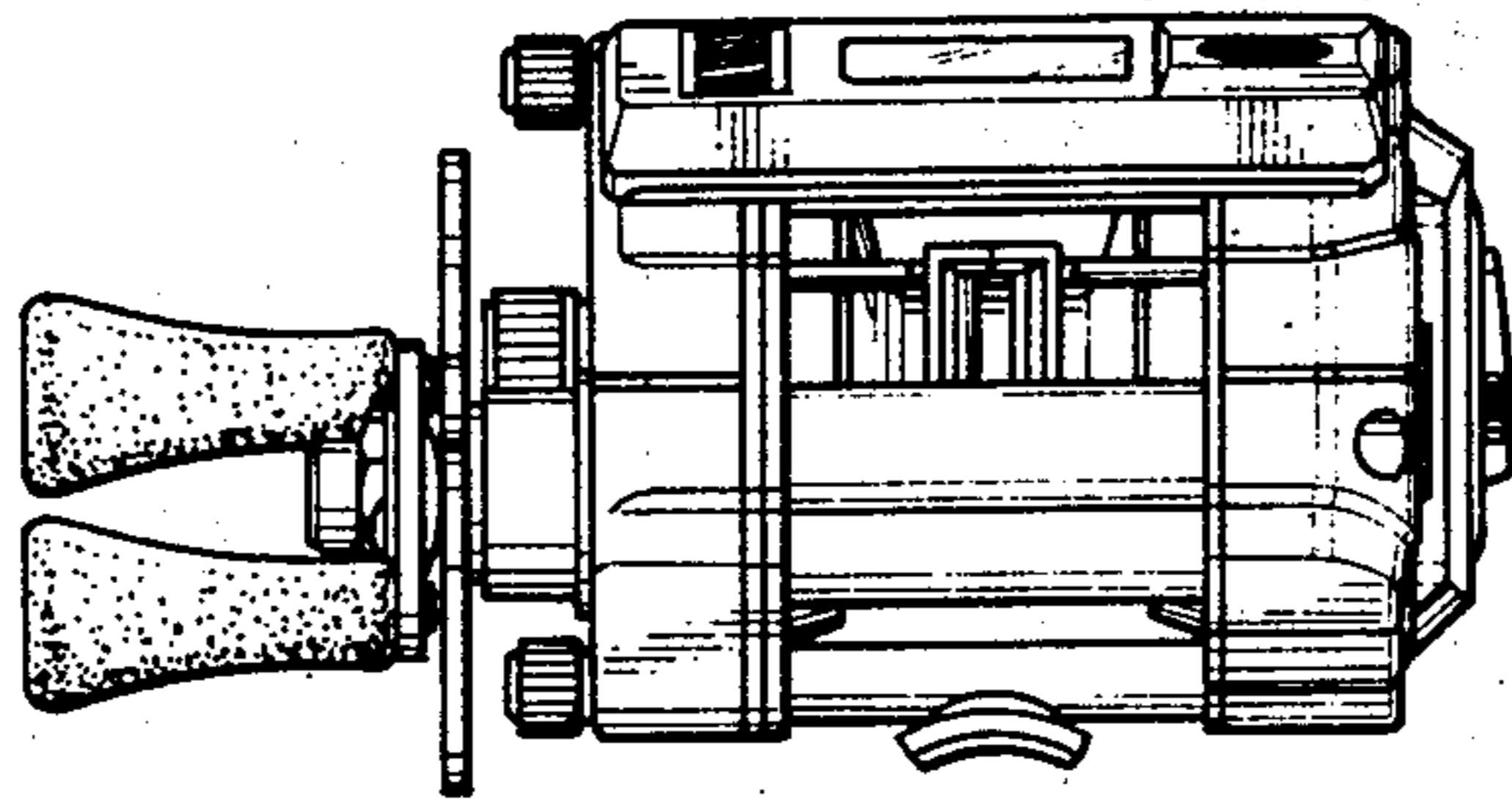
*Fig. 4*



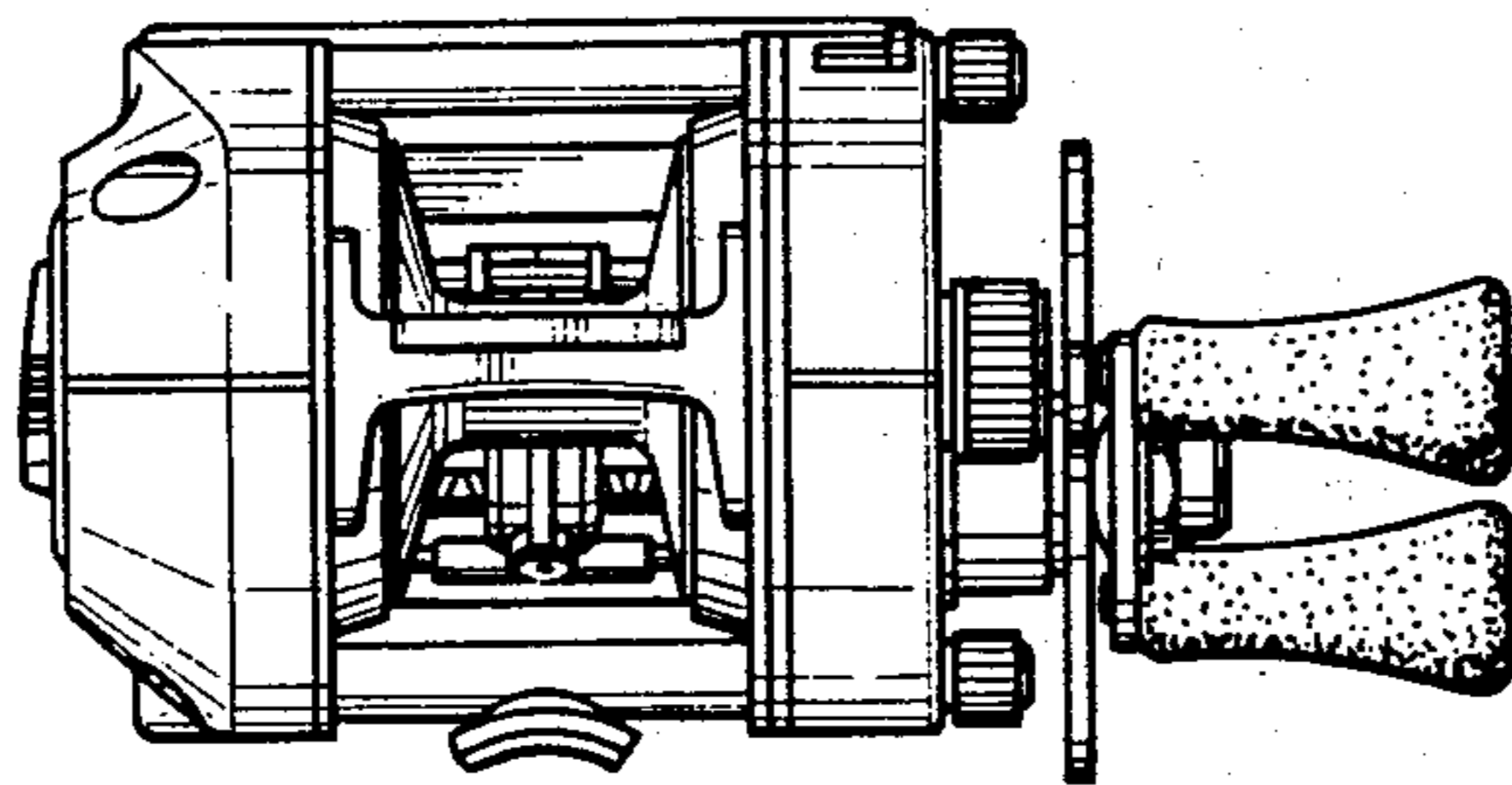
*Fig. 5*



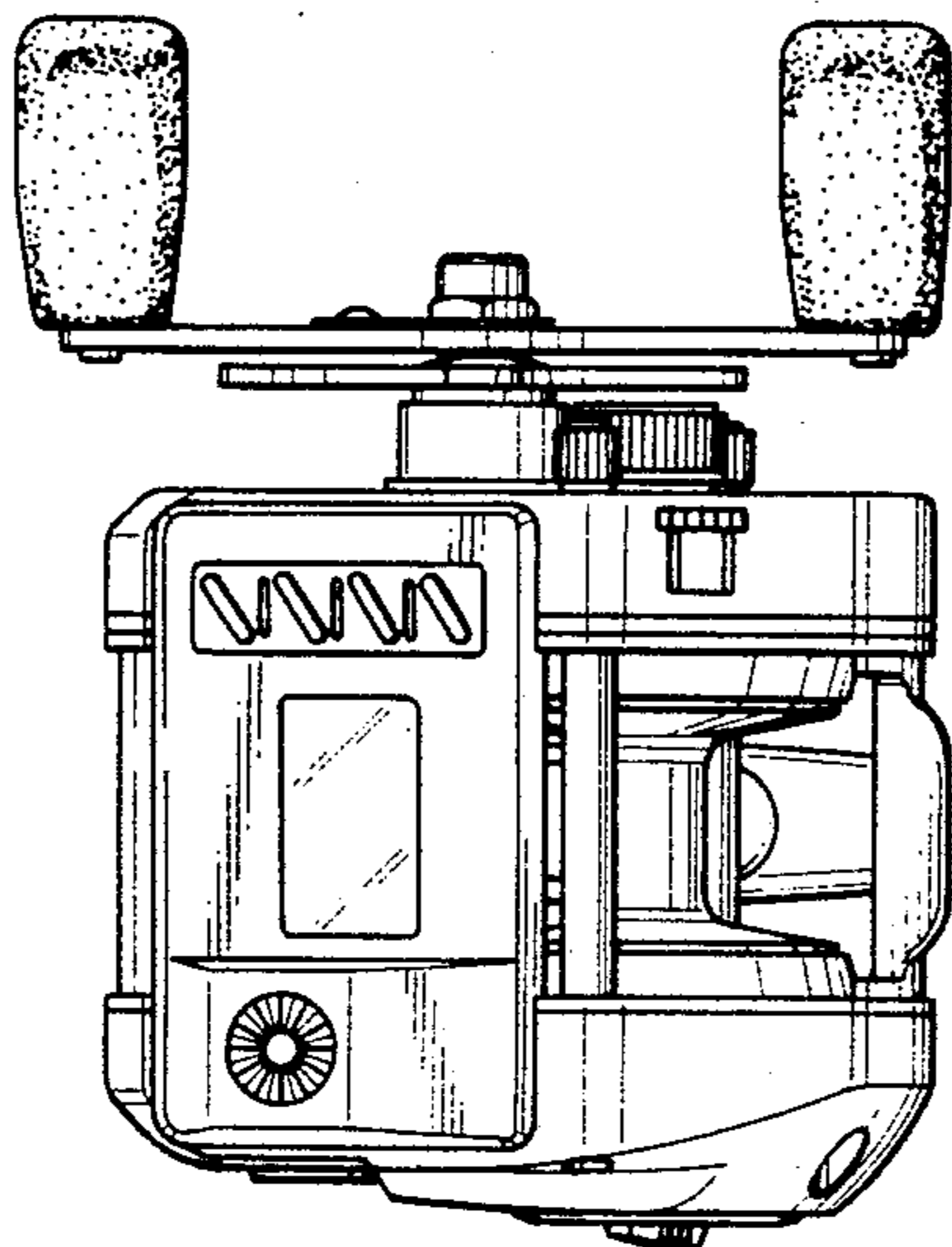
*Fig. 6*



*Fig. 7*



*Fig. 8*



*Fig. 9*

