

United States Patent [19]

Kameda

[11] Patent Number: **Des. 291,472**

[45] Date of Patent: **** Aug. 18, 1987**

[54] **REEL FOR FISHING**

[75] Inventor: **Yasuhisa Kameda, Saitama, Japan**

[73] Assignee: **Daiwa Seiko, Inc., Japan**

[**] Term: **14 Years**

[21] Appl. No.: **623,097**

[22] Filed: **Jun. 21, 1984**

[30] **Foreign Application Priority Data**

Dec. 23, 1983 [JP] Japan 58-55506

[52] U.S. Cl. **D22/141**

[58] Field of Search D22/140, 141;
242/84.1 R, 84.1 J, 84.2 R-84.2 J, 84.21 R,
84.21 A

[56] **References Cited**

U.S. PATENT DOCUMENTS

D. 254,091 1/1980 Jansson et al. D22/141
D. 270,933 10/1983 Inuma D22/141

Primary Examiner—A. Hugo Word
Attorney, Agent, or Firm—Bacon & Thomas

[57] **CLAIM**

The ornamental design for a reel for fishing, substantially as shown.

DESCRIPTION

FIG. 1 is a front perspective view of a reel for fishing showing my new design;

FIG. 2 is a front elevational view thereof;

FIG. 3 is a top plan view thereof;

FIG. 4 is a left side elevational view thereof;

FIG. 5 is a right side elevational view thereof;

FIG. 6 is a rear elevational view thereof; and

FIG. 7 is a bottom plan view thereof.

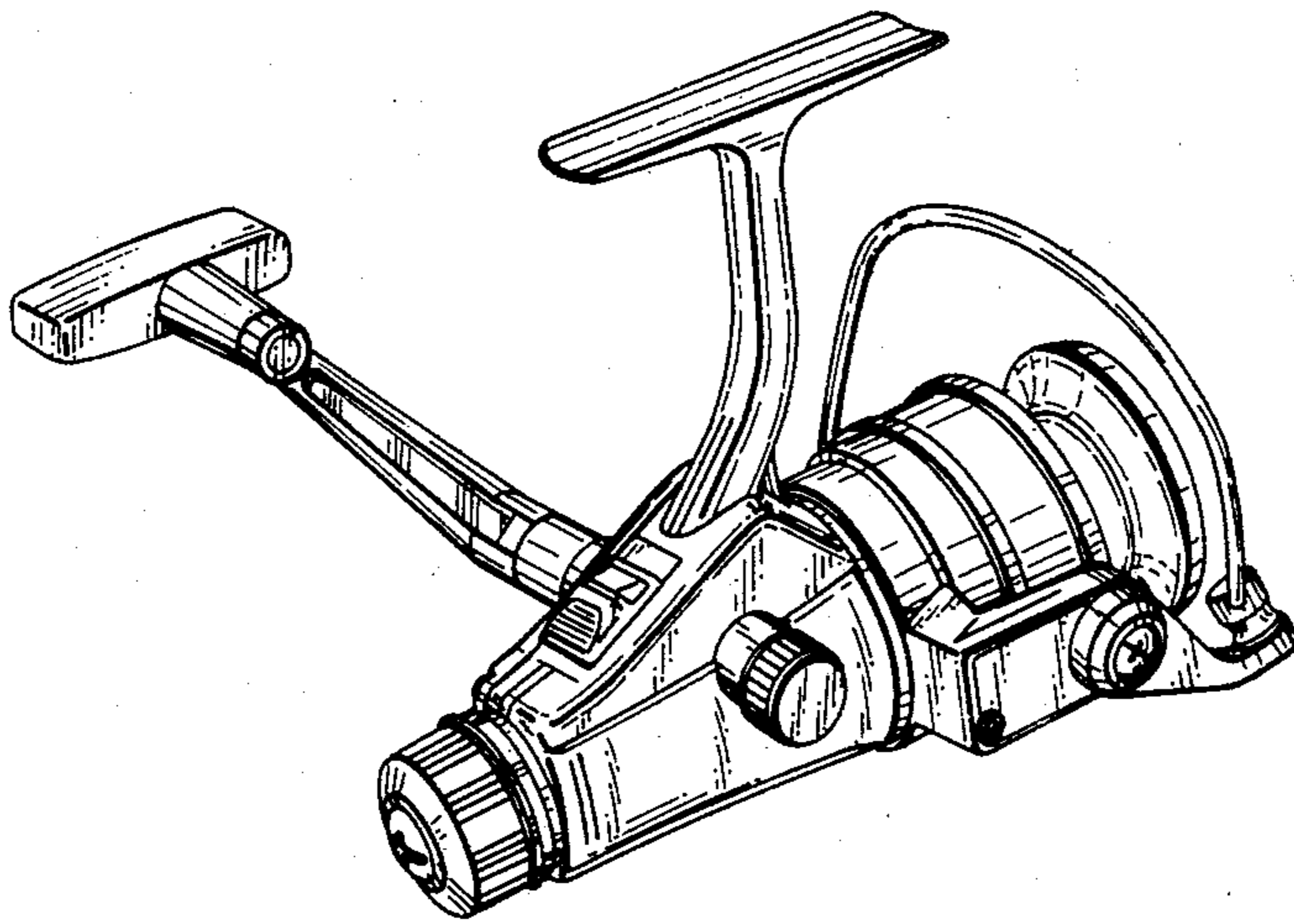


FIG. 1

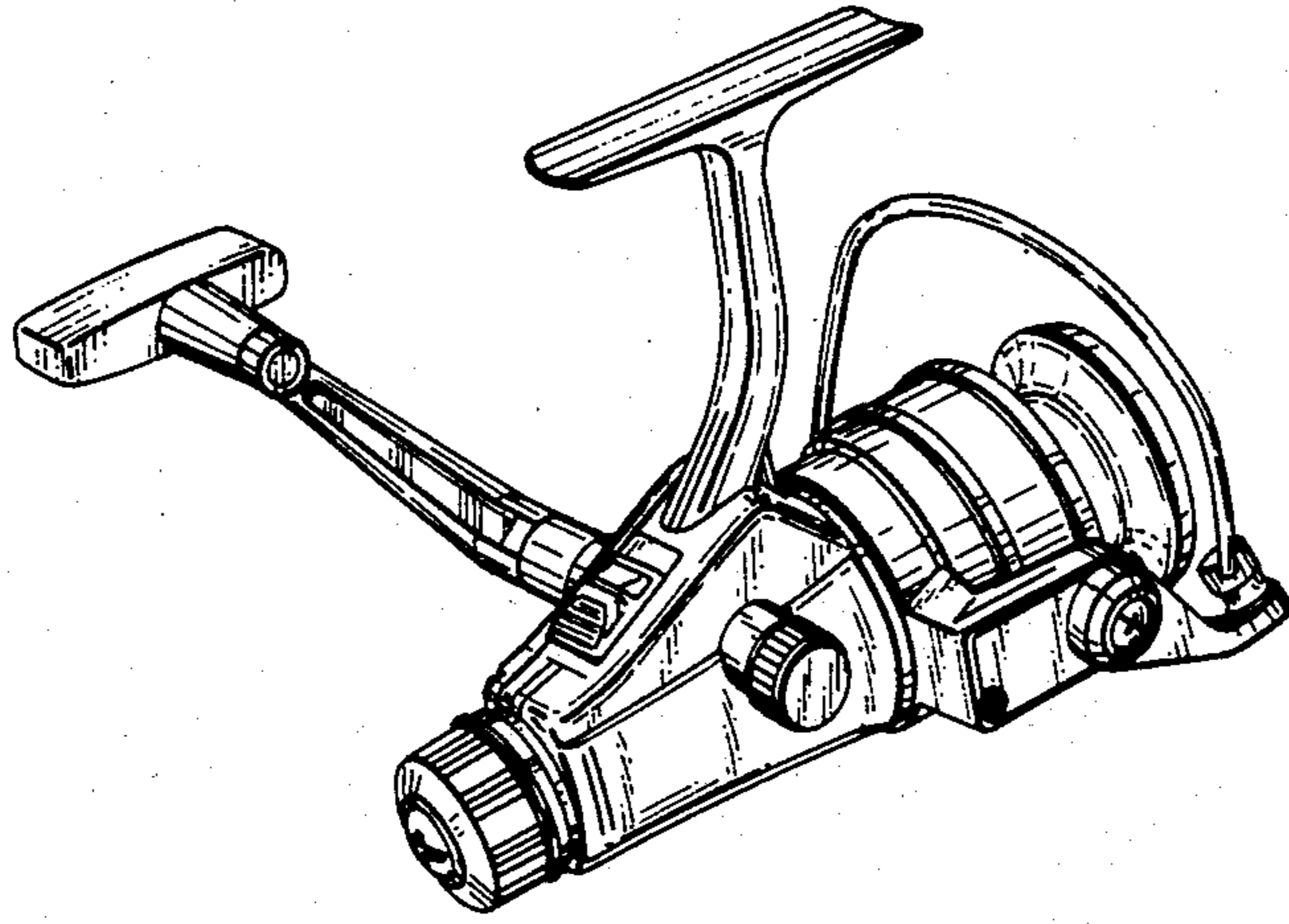


FIG. 2

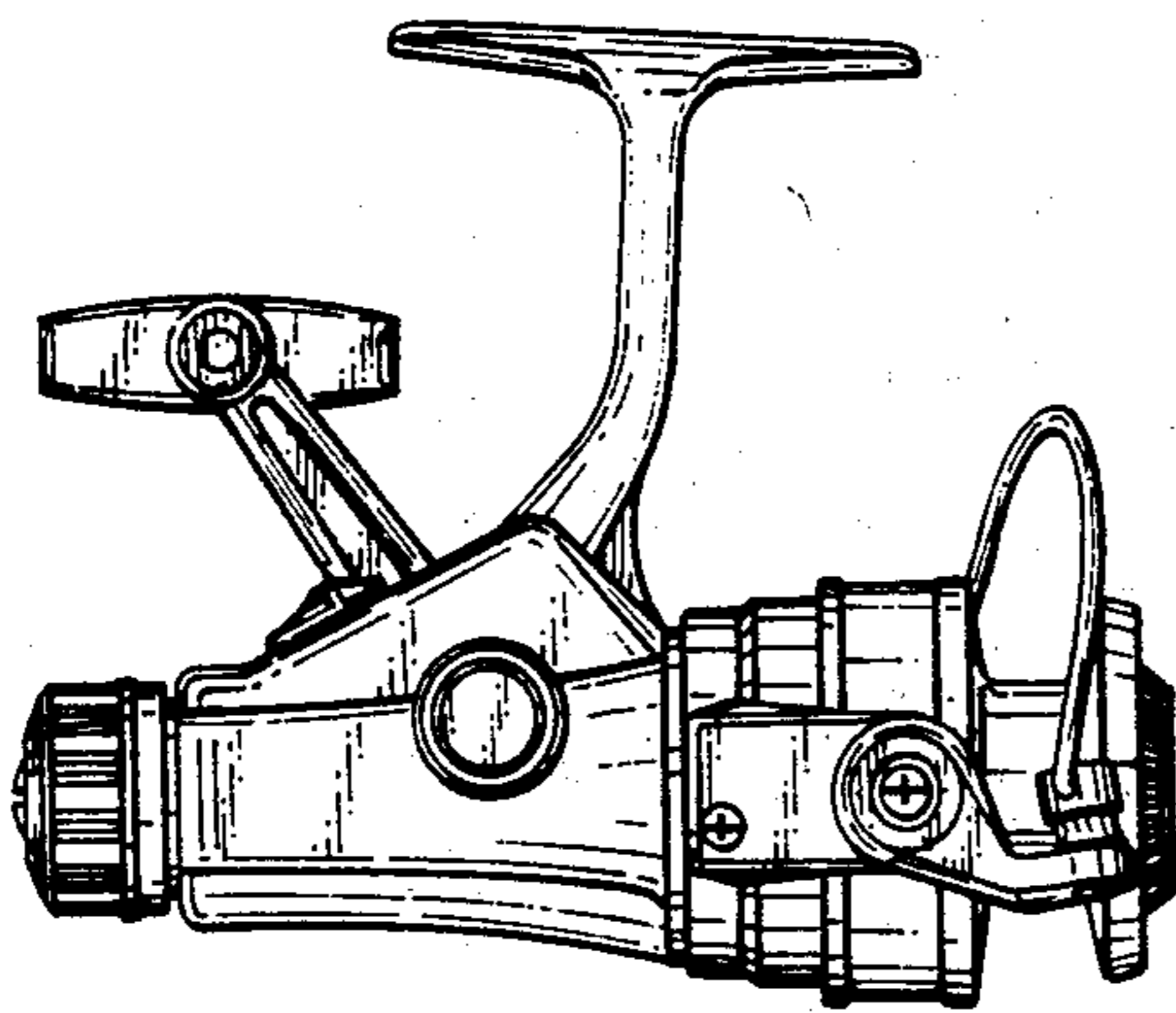


FIG. 3

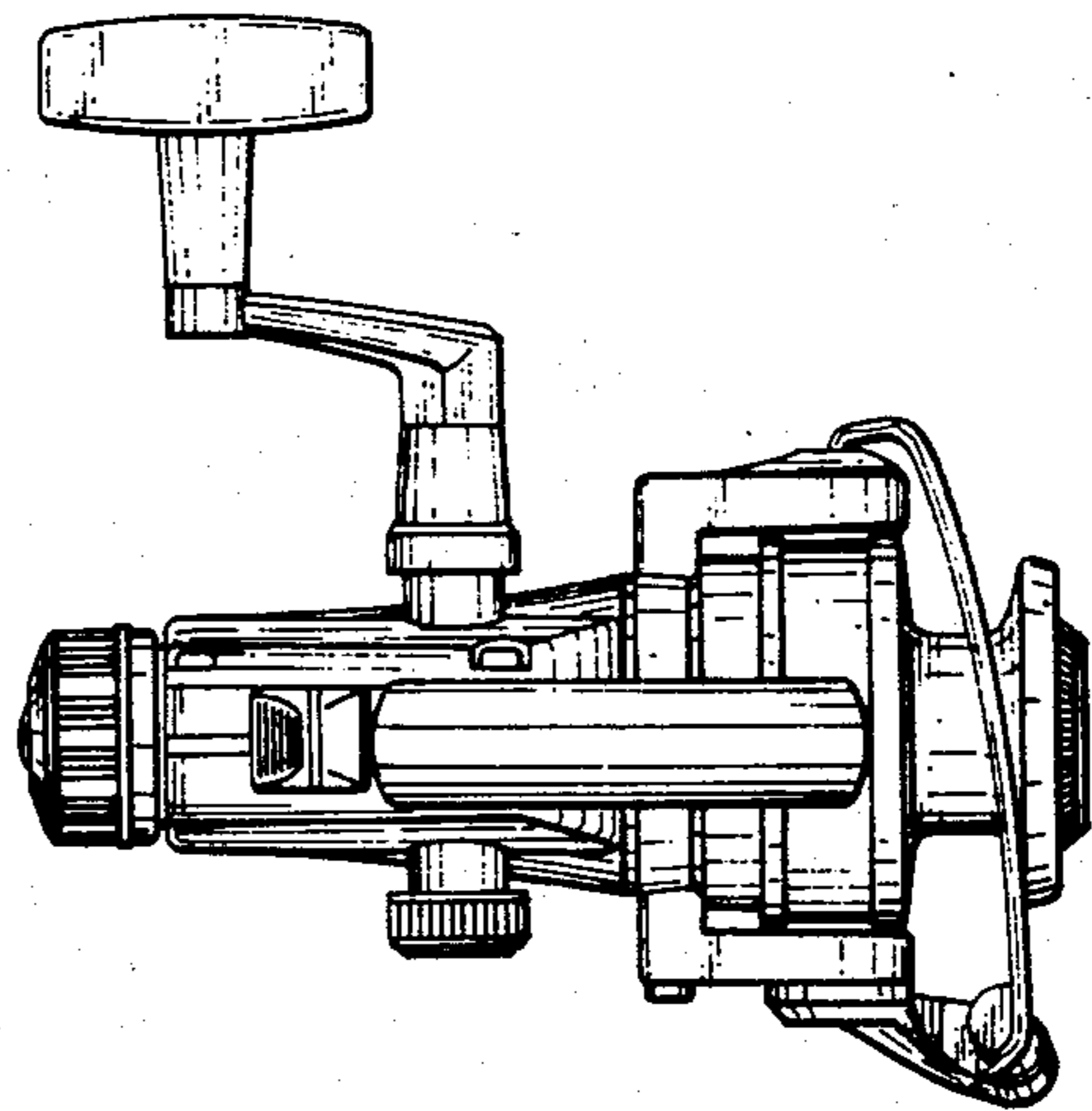


FIG.4

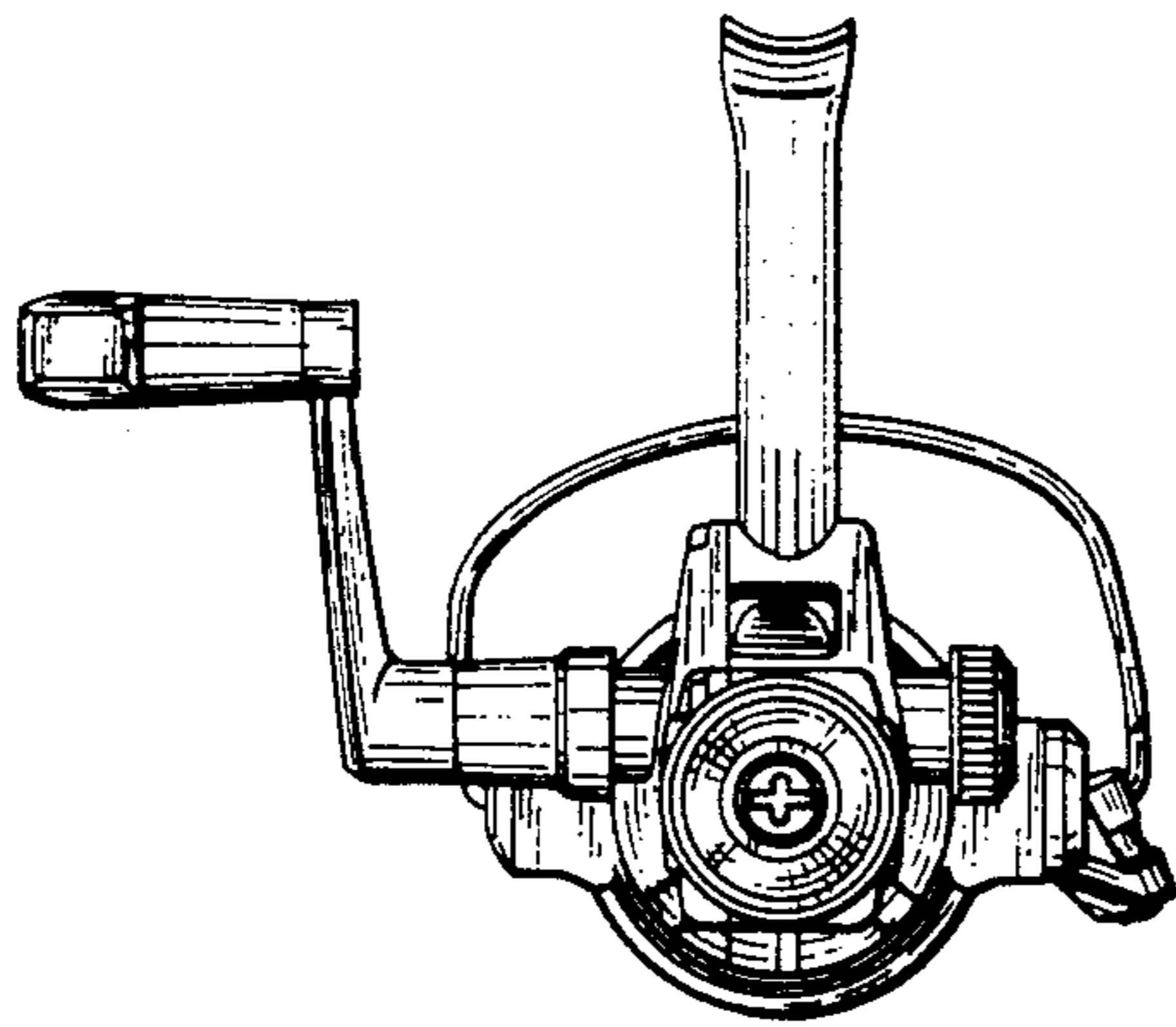


FIG.5

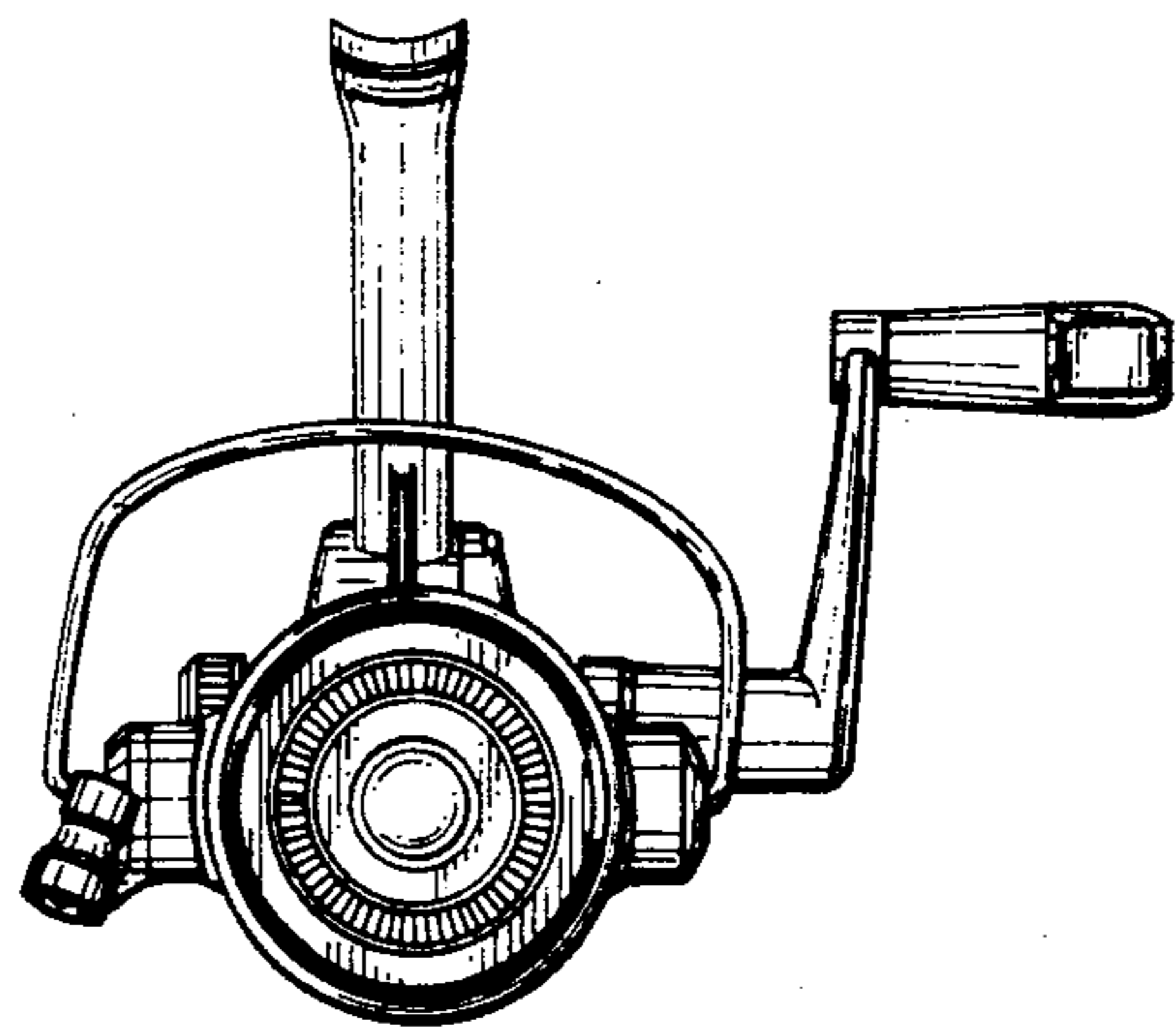


FIG.6

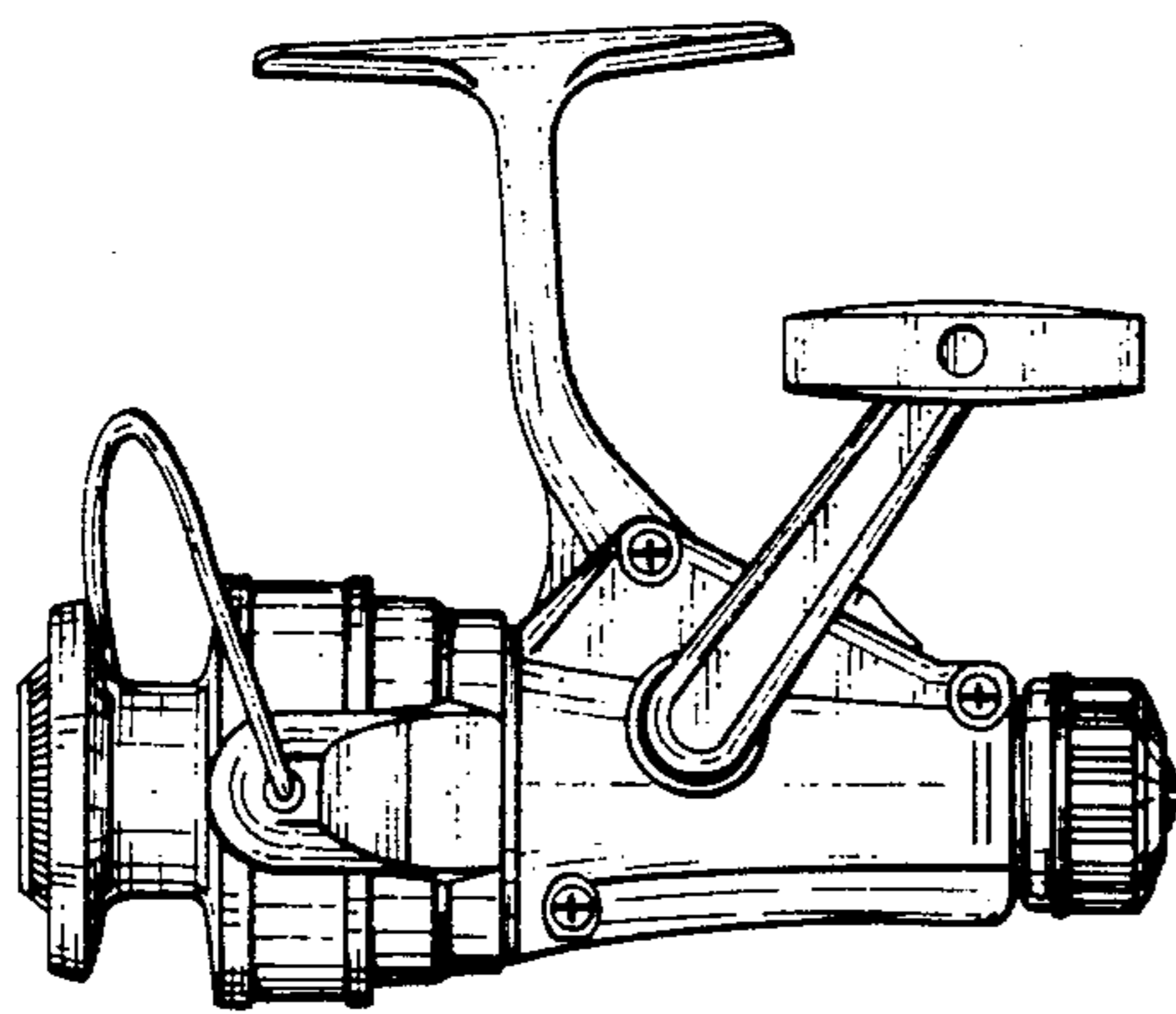


FIG.7

