

United States Patent [19]

Yamaguchi

[11] Patent Number: **Des. 291,471**

[45] Date of Patent: **** Aug. 18, 1987**

[54] **FISHING REEL SPOOL**

3,979,082 9/1976 Morishita 242/84.2 R

[75] Inventor: **Kaname Yamaguchi, Tokyo, Japan**

Primary Examiner—A. Hugo Word

[73] Assignee: **Daiwa Seiko, Inc., Tokyo, Japan**

Attorney, Agent, or Firm—Sughrue, Mion, Zinn,
Macpeak & Seas

[**] Term: **14 Years**

[57] **CLAIM**

[21] Appl. No.: **689,693**

The ornamental design for a fishing reel spool, as shown and described.

[22] Filed: **Jan. 8, 1985**

[30] **Foreign Application Priority Data**

DESCRIPTION

Aug. 8, 1984 [JP] Japan 59-33599

[52] U.S. Cl. **D22/137; D8/358**

FIG. 1 is a perspective view of a fishing reel spool showing my new design, the reel being symmetrical about its axis;

[58] Field of Search 242/84.1 R, 84.2 J,
242/84.2 R; D8/358, 359; D22/137

FIG. 2 is a side elevational view thereof;

FIG. 3 is an end view thereof;

[56] **References Cited**

U.S. PATENT DOCUMENTS

D. 215,900 Michaels D8/358 X
2,434,400 Allen D22/137 X

FIG. 4 is a end view thereof from the opposite end as shown in FIG. 3;

FIG. 5 is a top plan view thereof; and

FIG. 6 is a sectional view thereof taken about line 4—4 of FIG. 4.

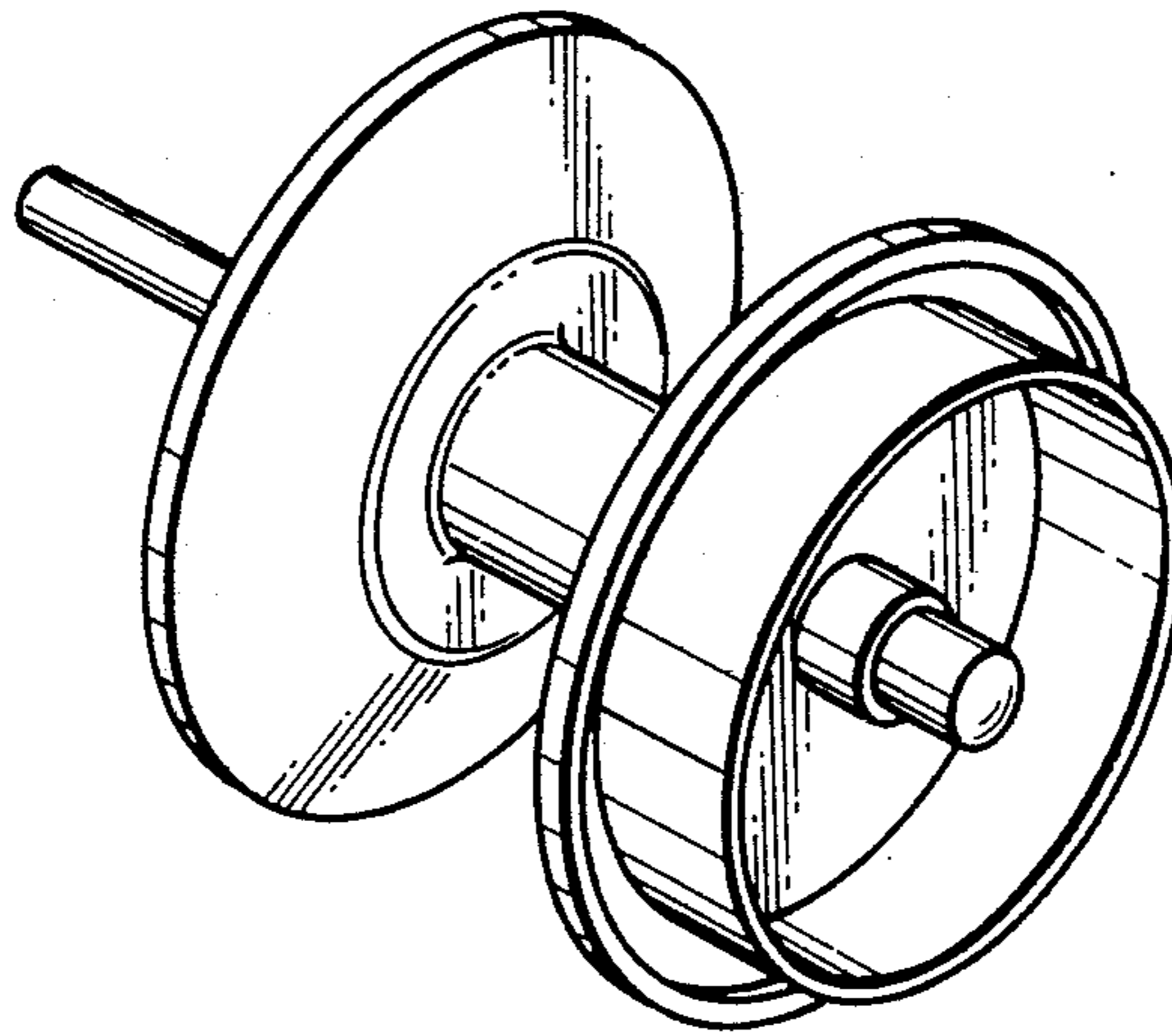


Fig. 1

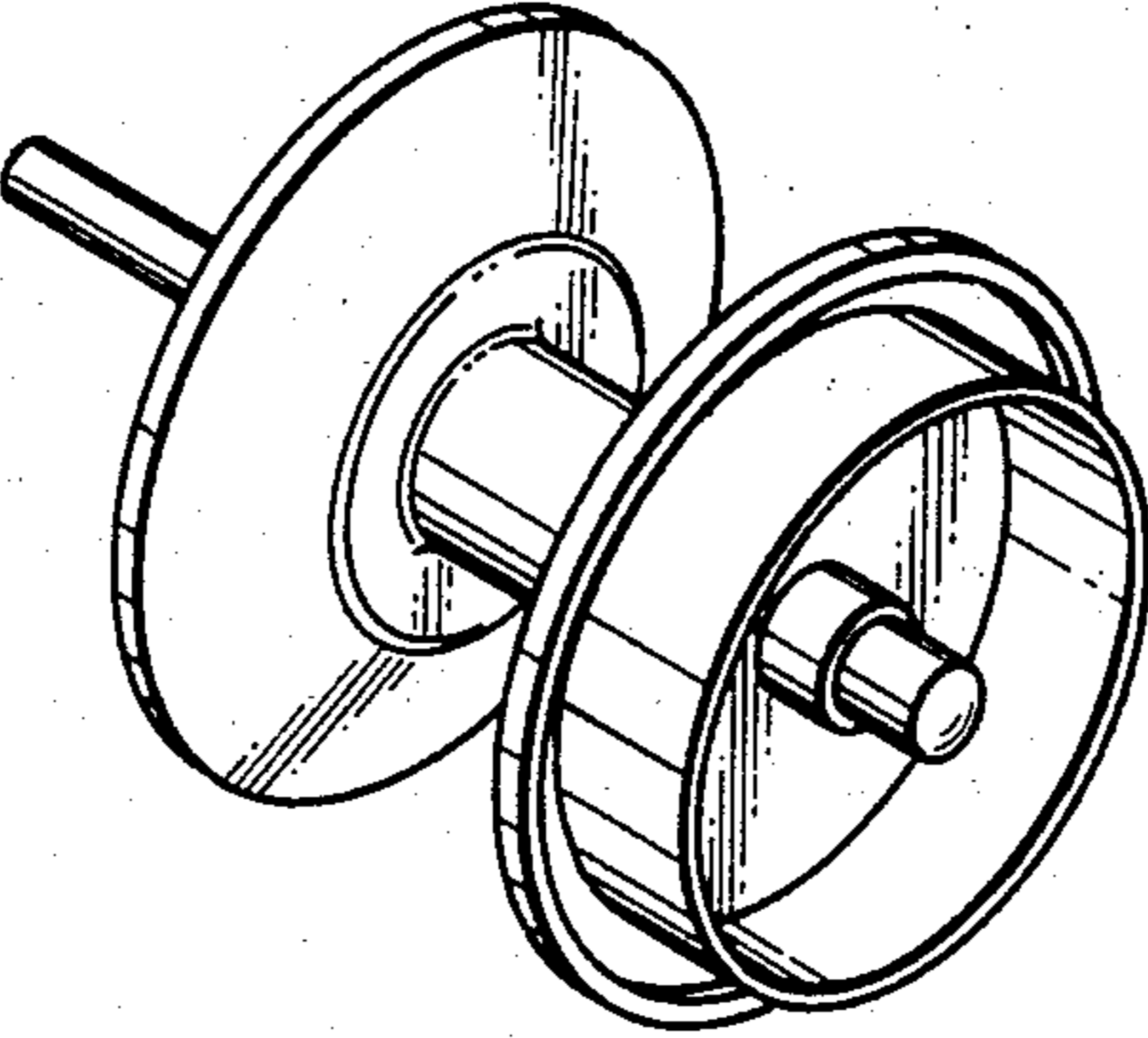


Fig. 2

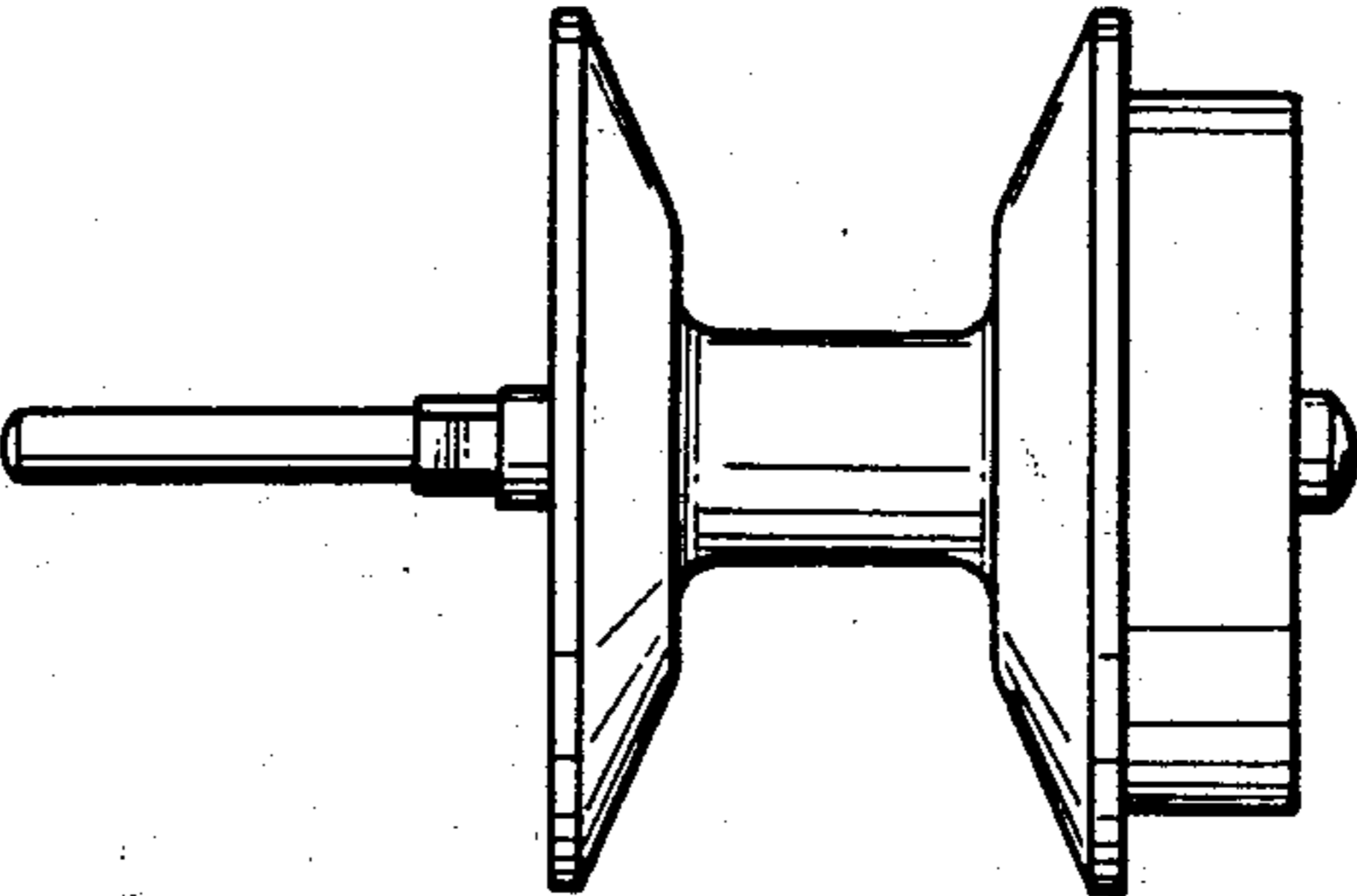


Fig. 3

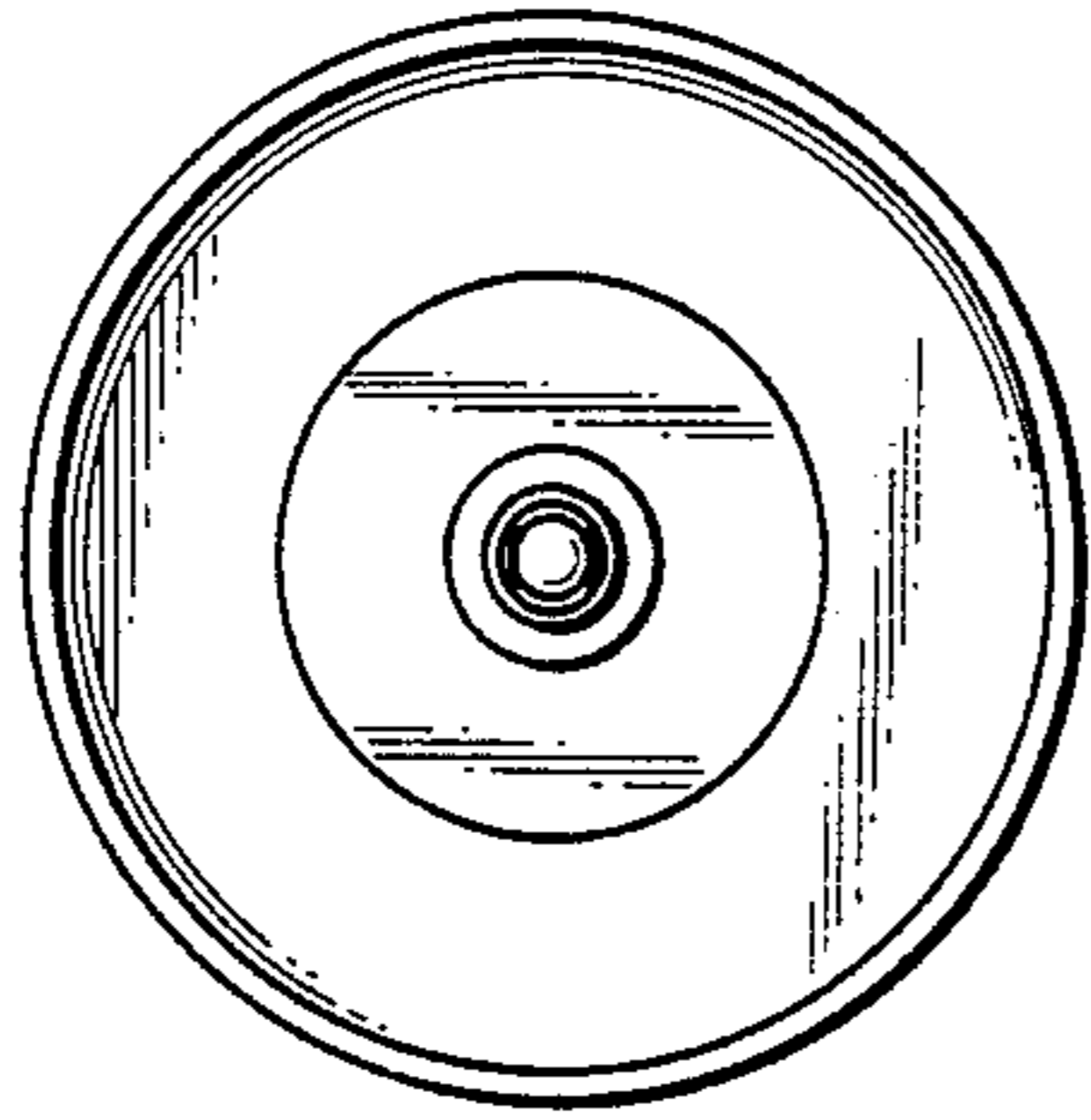


Fig. 4

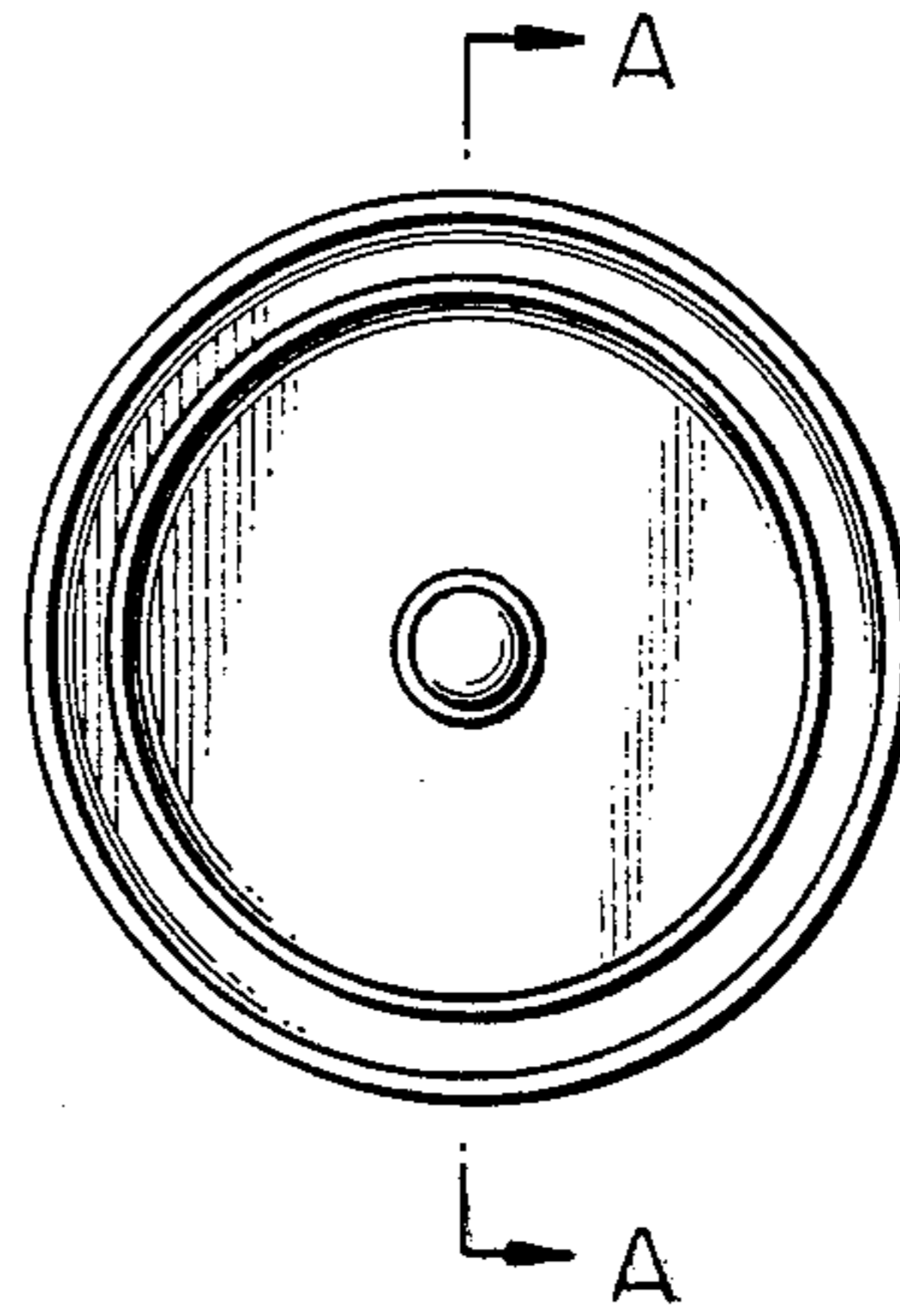


Fig. 5

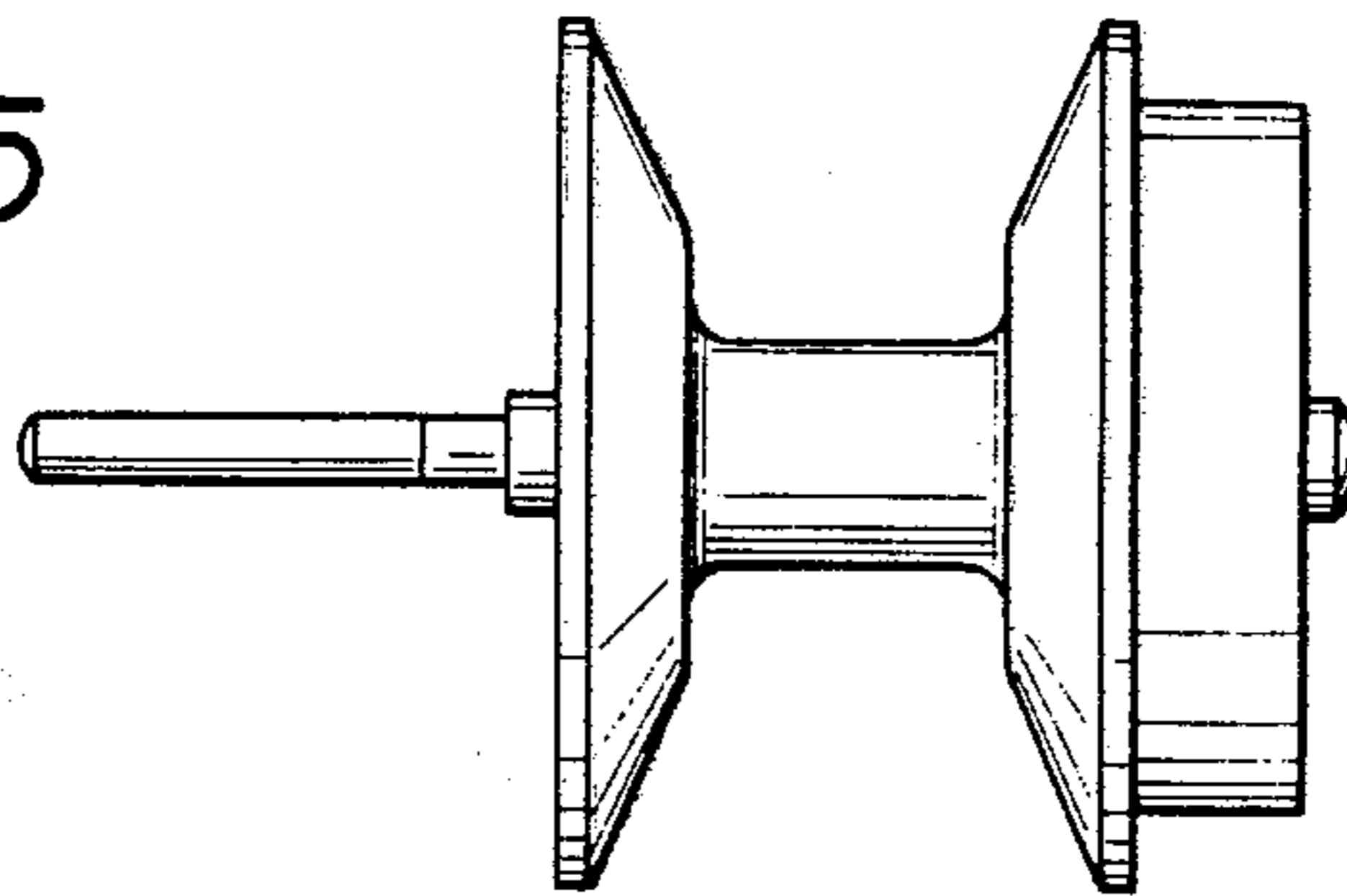


Fig. 6

