

United States Patent [19]

Bechtel

[11] Patent Number: **Des. 291,470**

[45] Date of Patent: **** Aug. 18, 1987**

[54] **PISTOL SCOPE MOUNT**

[76] Inventor: **Daniel L. Bechtel**, P.O. Box 11281,
Fort Worth, Tex. 76109

[**] Term: **14 Years**

[21] Appl. No.: **688,254**

[22] Filed: **Jan. 2, 1985**

[52] U.S. Cl. **D22/110**

[58] Field of Search **D22/110; 42/1 S, 1 ST;
33/245, 261**

[56] **References Cited**

U.S. PATENT DOCUMENTS

4,328,624 5/1982 Ross D22/110 X
4,367,606 1/1983 Bechtel D22/110 X

4,383,371 5/1983 Coffey D22/110 X

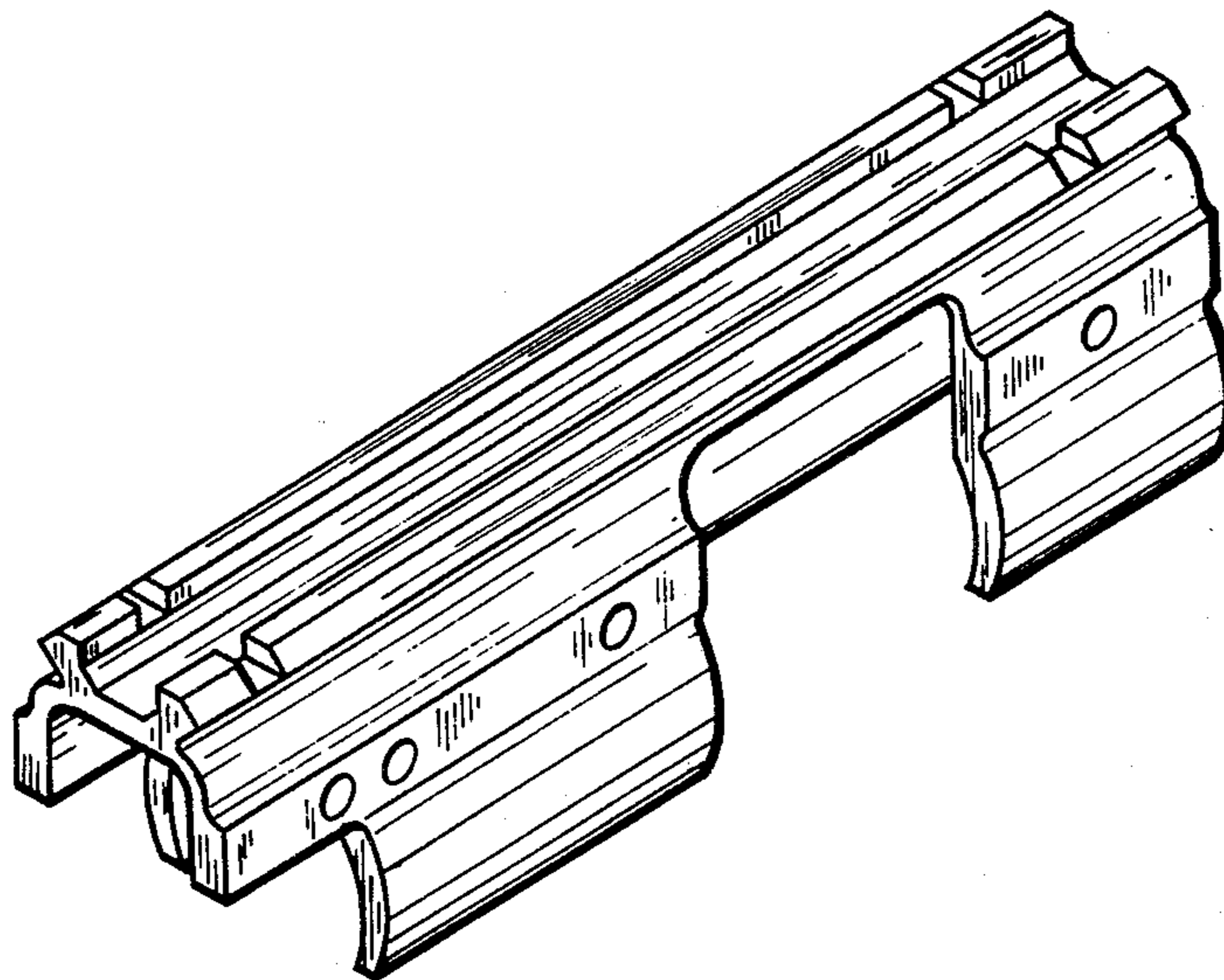
Primary Examiner—A. Hugo Word
Attorney, Agent, or Firm—Charles W. McHugh

[57] **CLAIM**

The ornamental design for a pistol scope mount, as shown.

DESCRIPTION

FIG. 1 is a perspective view of a pistol scope mount showing my new design;
FIG. 2 is a rear elevational view thereof;
FIG. 3 is a right side elevational view thereof;
FIG. 4 is a left side elevational view thereof;
FIG. 5 is a front elevational view thereof;
FIG. 6 is a top plan view thereof; and
FIG. 7 is a bottom plan view thereof.



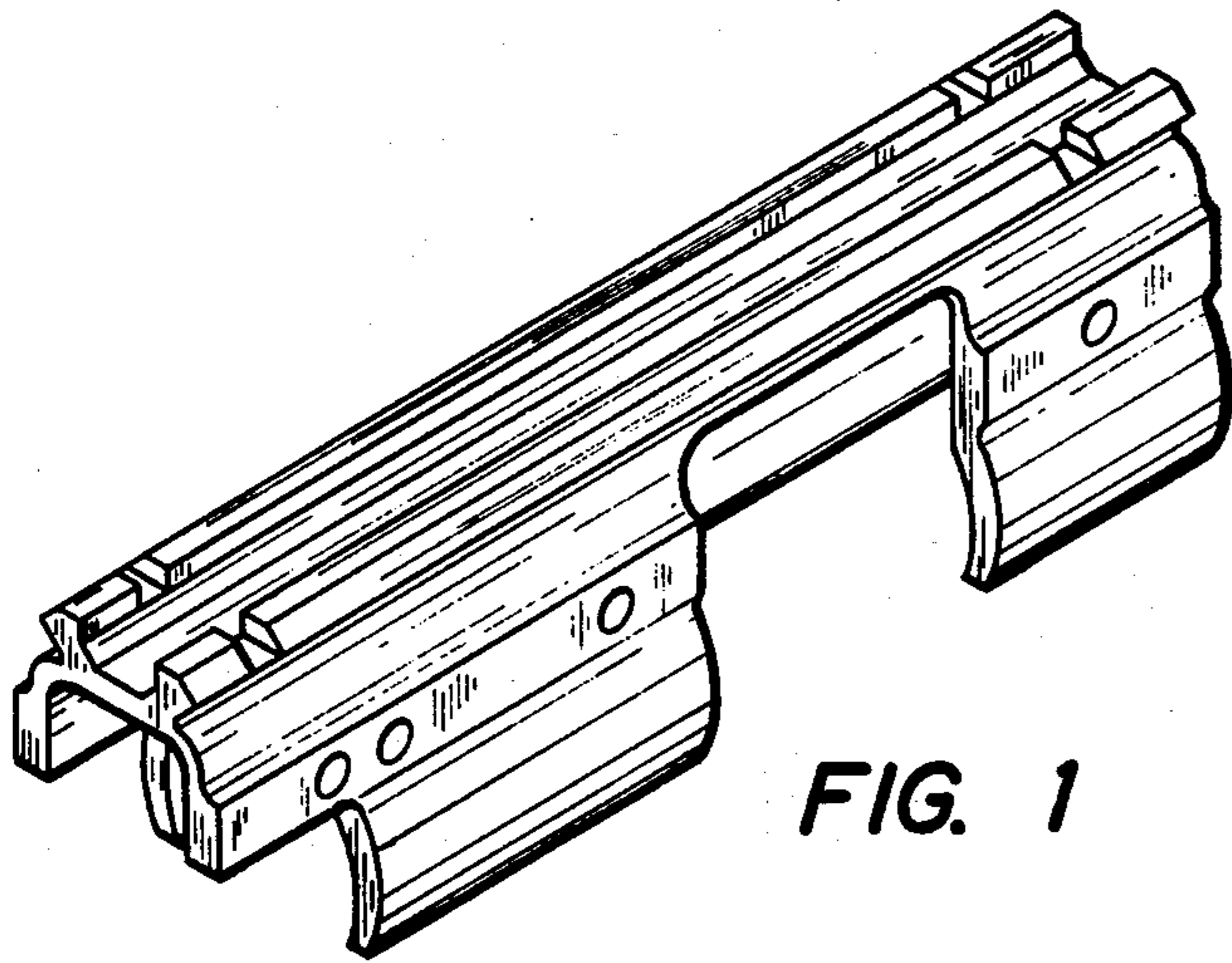


FIG. 1

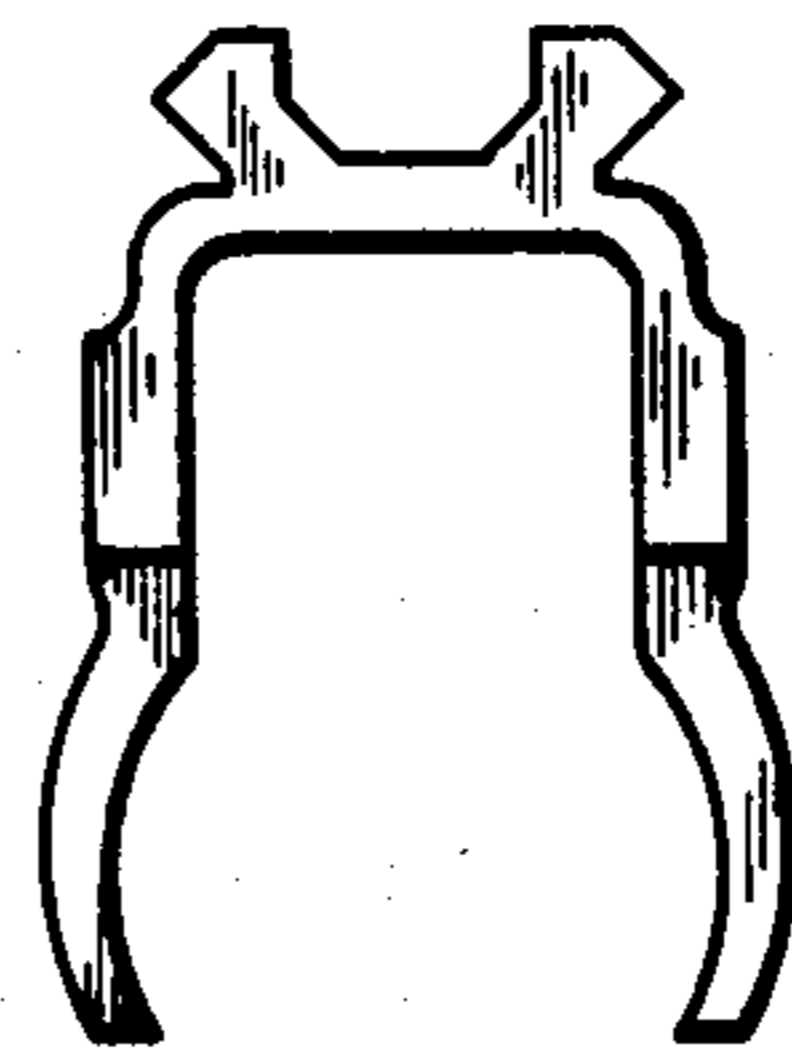


FIG. 2

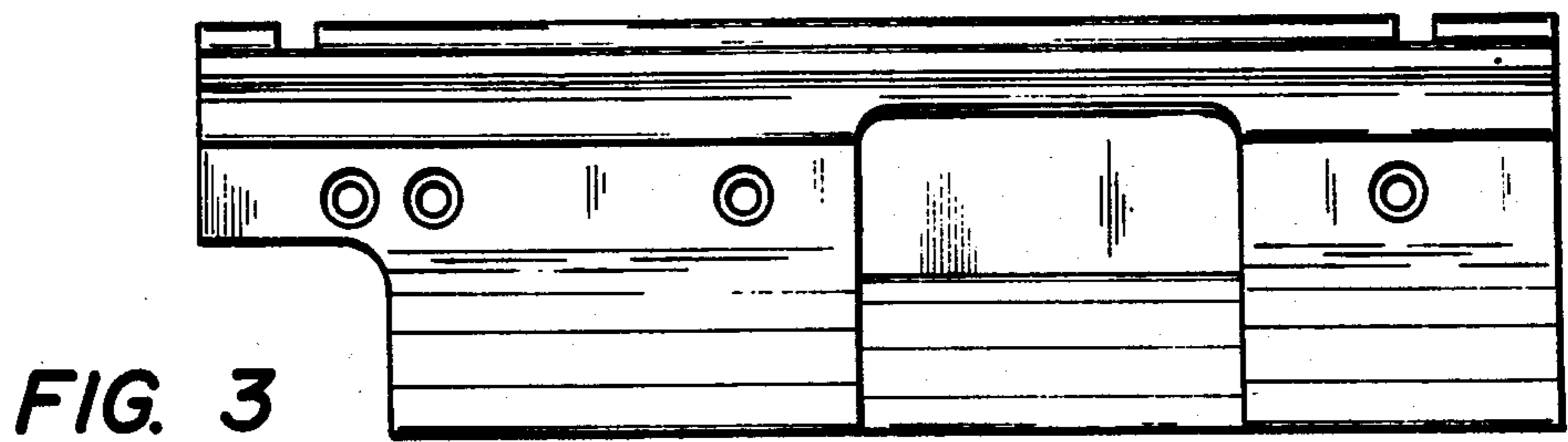


FIG. 3

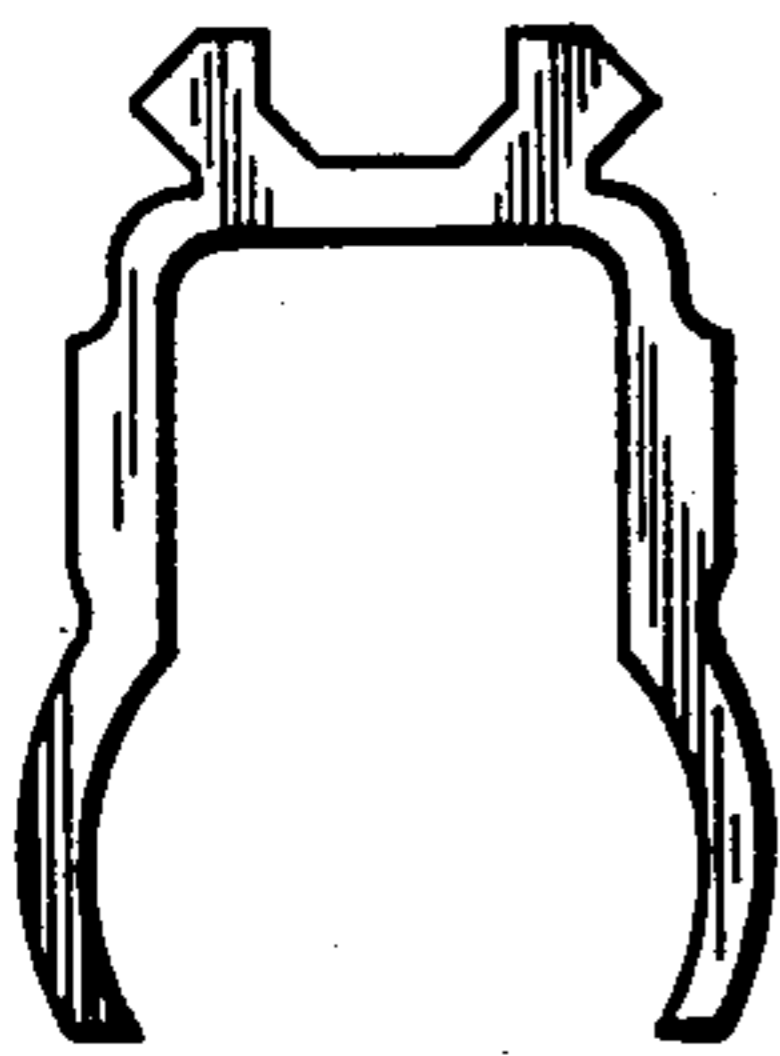


FIG. 5

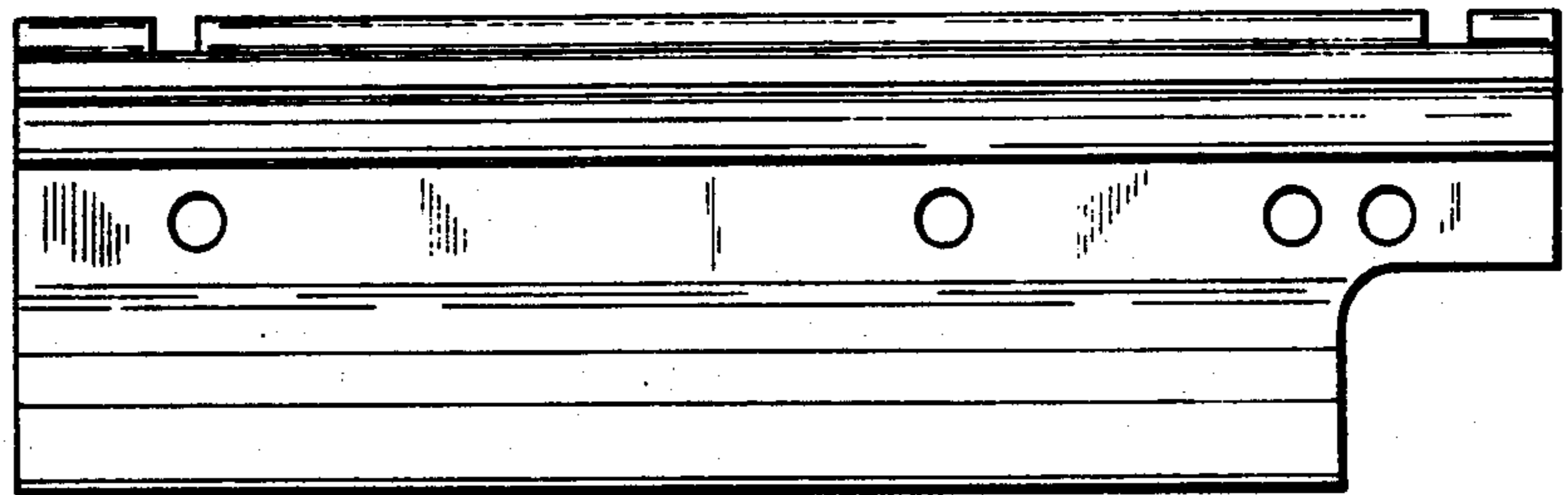


FIG. 4

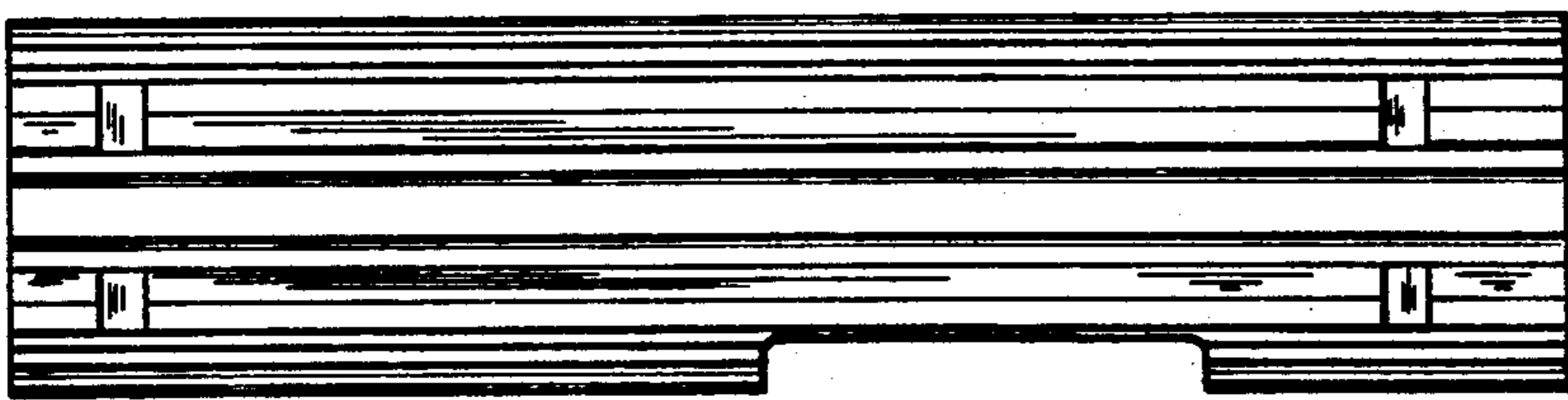


FIG. 6

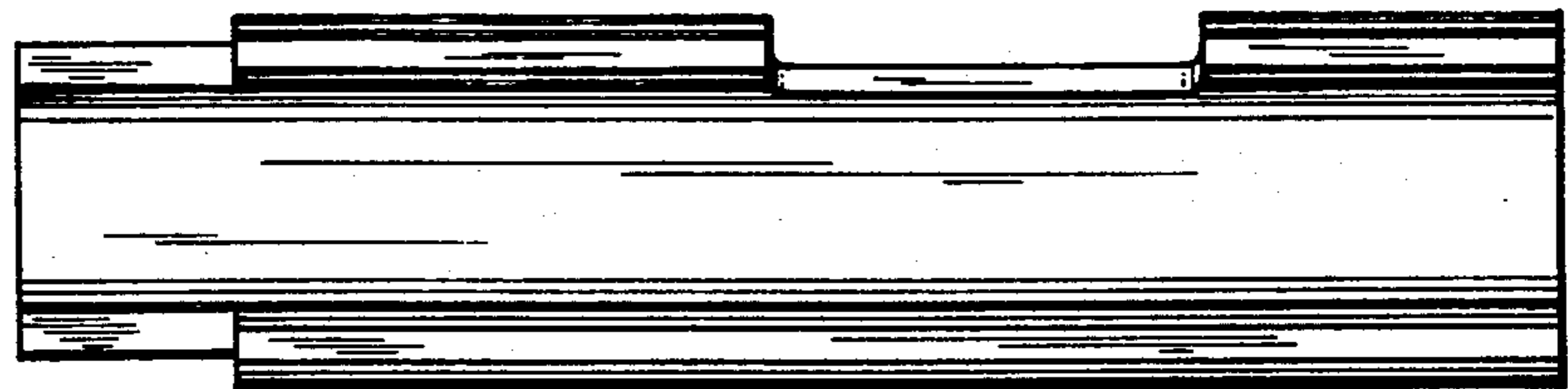


FIG. 7