

# United States Patent [19]

Bechtel

[11] Patent Number: **Des. 291,469**

[45] Date of Patent: **\*\* Aug. 18, 1987**

[54] RIFLE SCOPE MOUNT

3,922,794 12/1975 Ackerman ..... D22/110 X

[76] Inventor: **Daniel L. Bechtel**, P.O. Box 11281,  
Fort Worth, Tex. 76109

*Primary Examiner*—A. Hugo Word  
*Attorney, Agent, or Firm*—Charles W. McHugh

[\*\*] Term: **14 Years**

[57] **CLAIM**

[21] Appl. No.: **688,253**

The ornamental design for a rifle scope mount, as shown.

[22] Filed: **Jan. 2, 1985**

[52] U.S. Cl. .... **D22/110**

[58] Field of Search ..... D22/110; 42/1 S, 1 ST;  
33/245, 261

## DESCRIPTION

FIG. 1 is a perspective view of a rifle scope mount showing my new design;

FIG. 2 is a front elevational view thereof;

FIG. 3 is a top plan view thereof;

FIG. 4 is a rear elevational view thereof;

FIG. 5 is a left side elevational view thereof;

FIG. 6 is a right side elevational view thereof; and

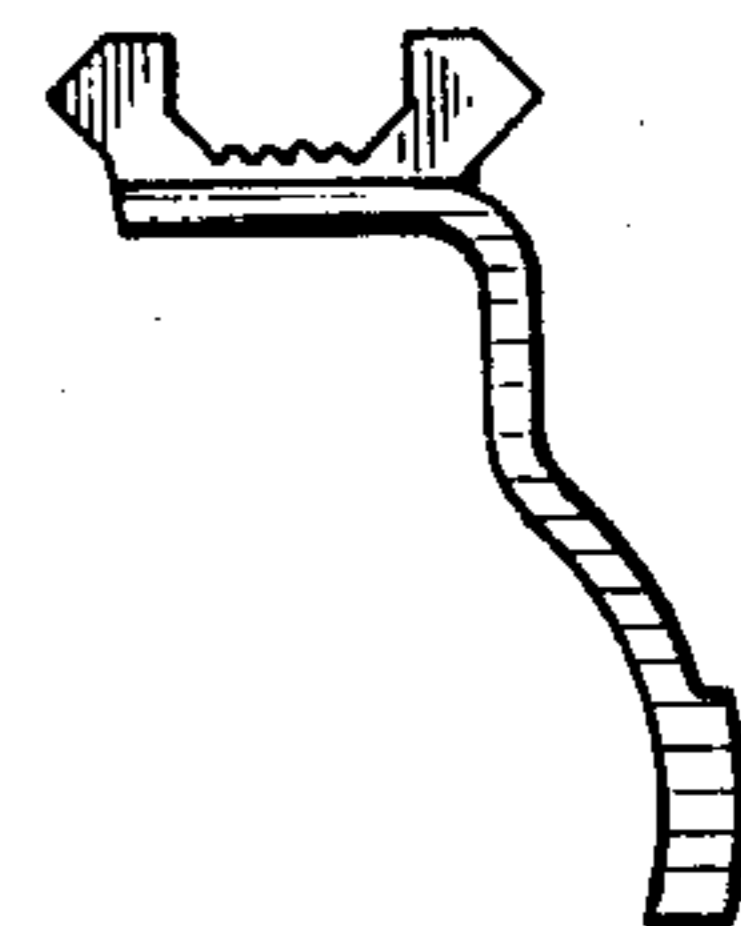
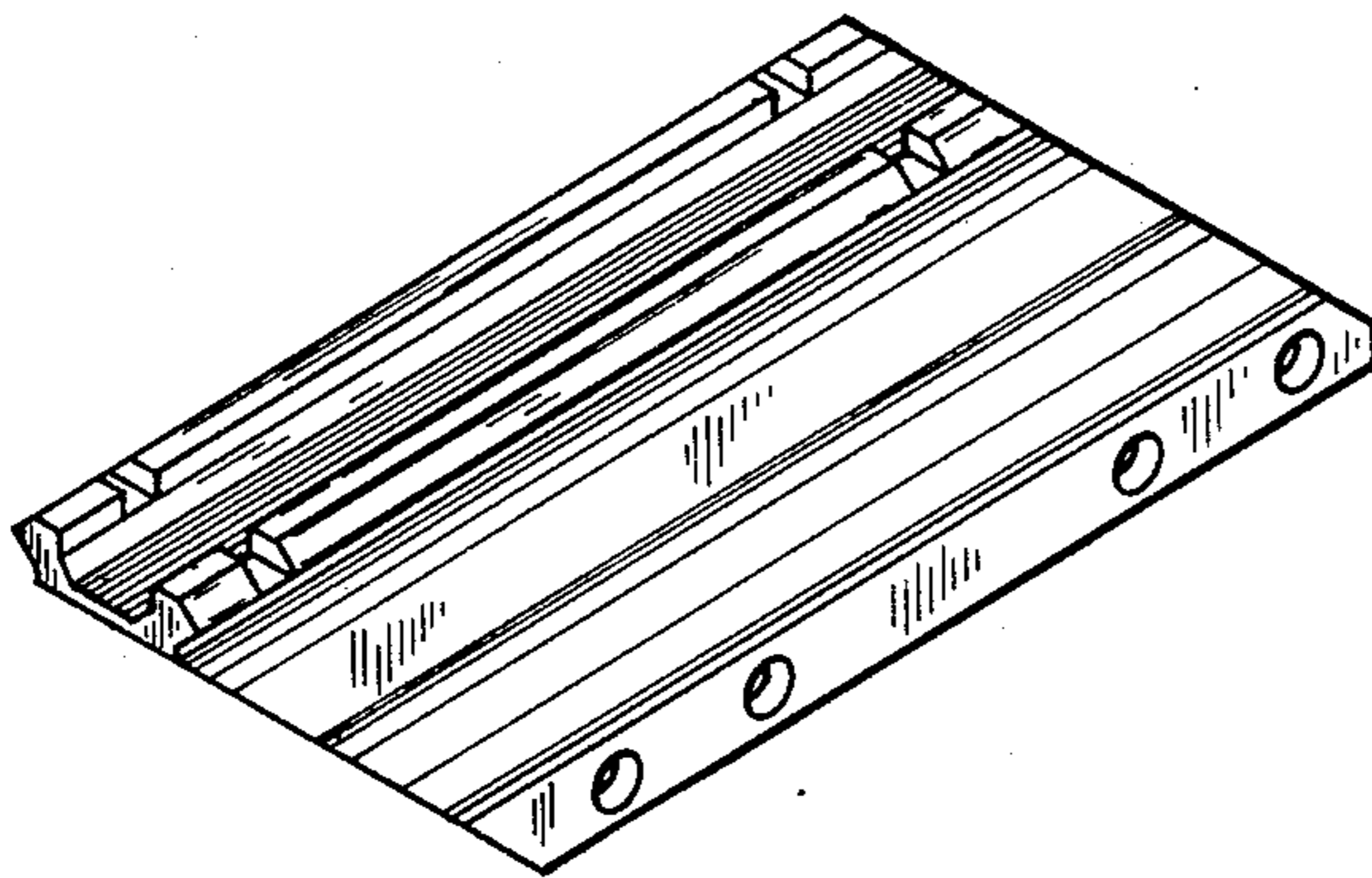
FIG. 7 is a bottom plan view thereof.

[56]

## References Cited

### U.S. PATENT DOCUMENTS

D. 256,830 9/1980 Bechtel ..... D22/110  
3,366,358 1/1968 Luning ..... D22/110 X



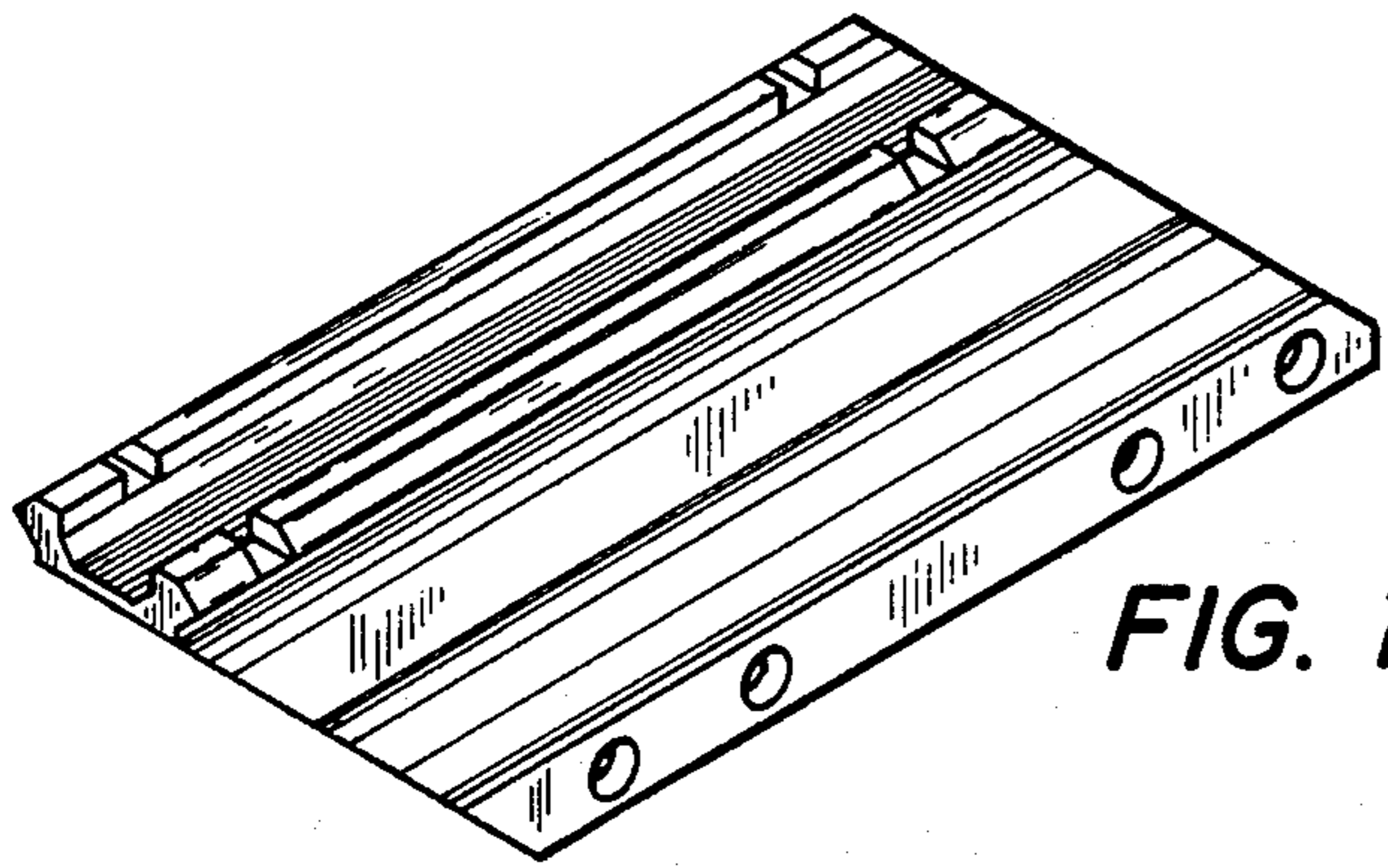


FIG. 1

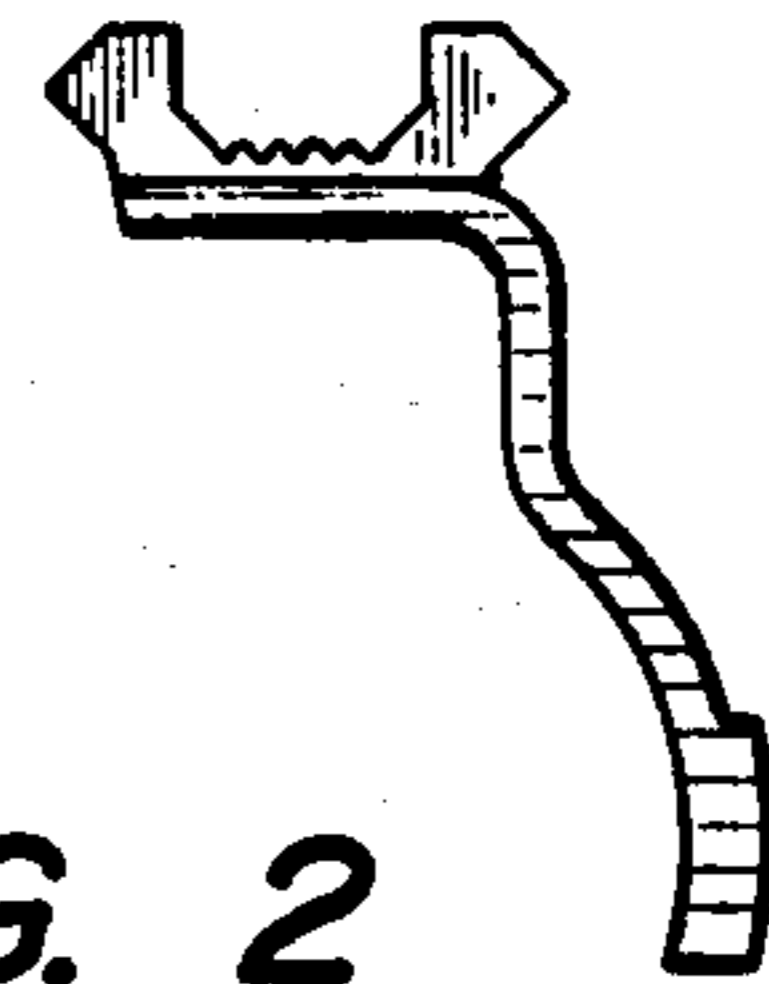


FIG. 2

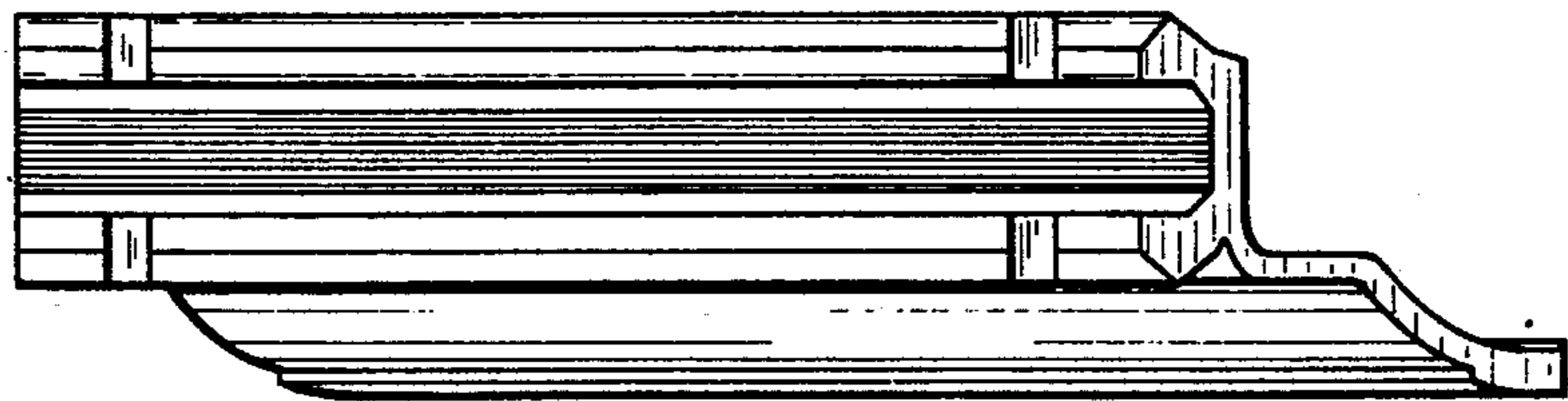


FIG. 3

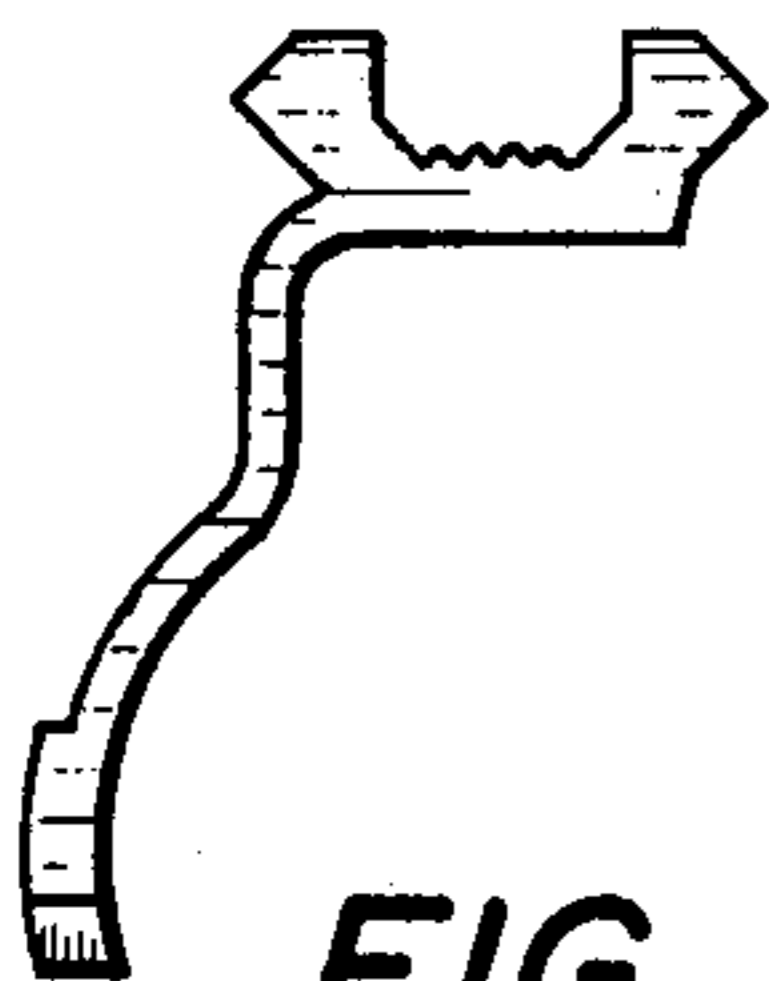


FIG. 4

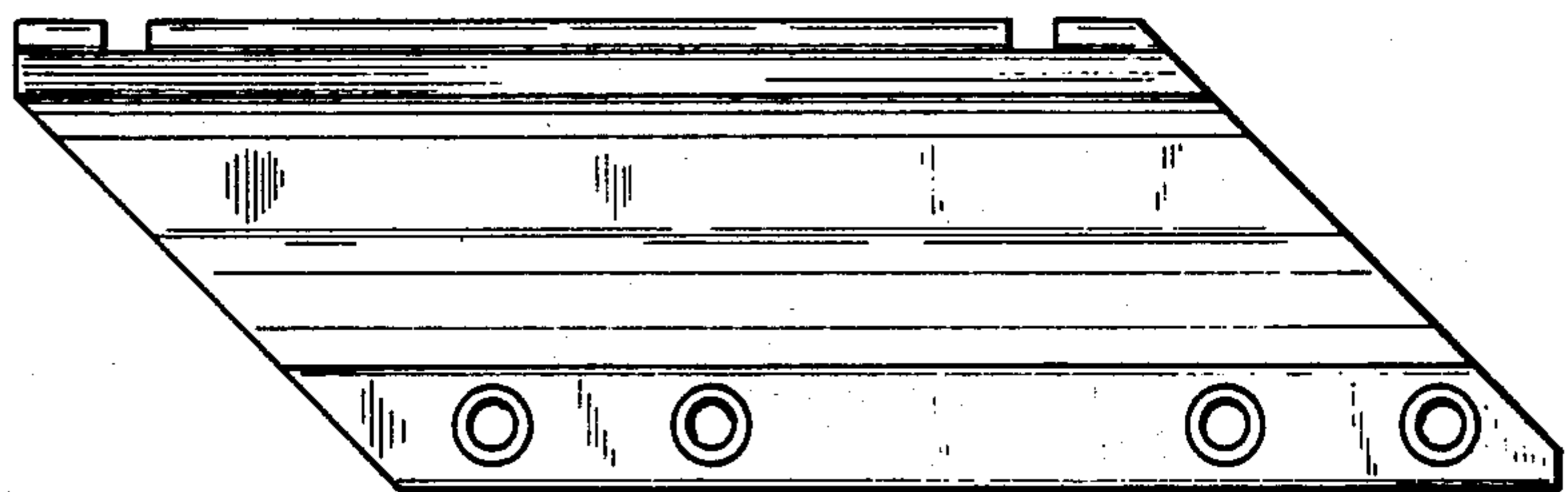


FIG. 5

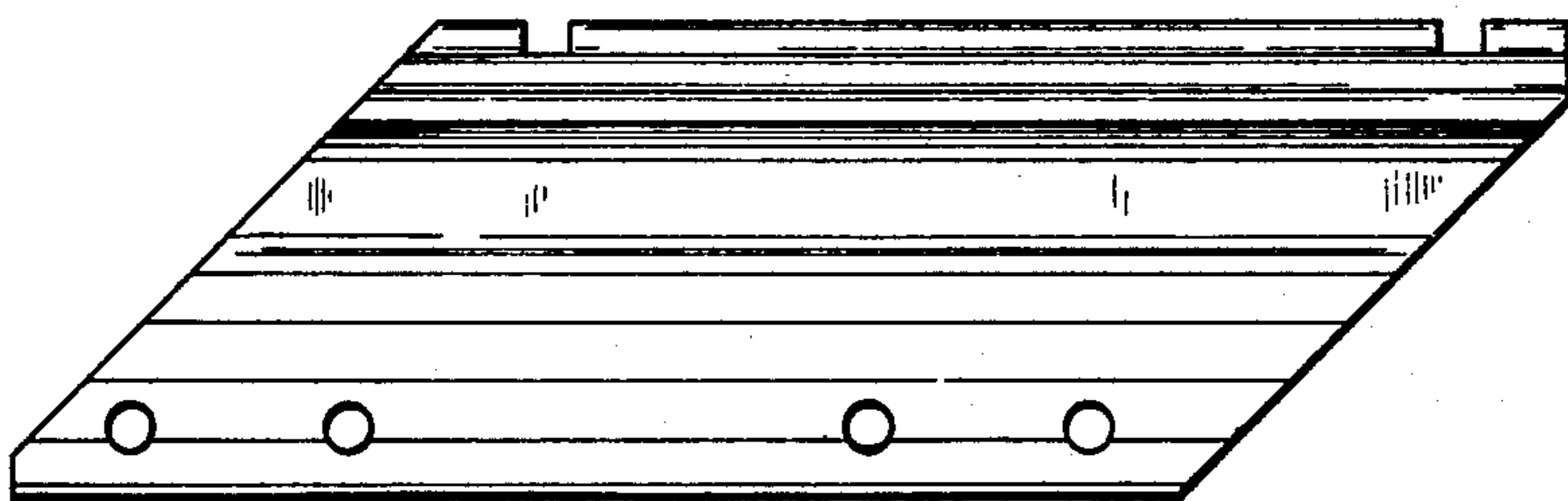


FIG. 6

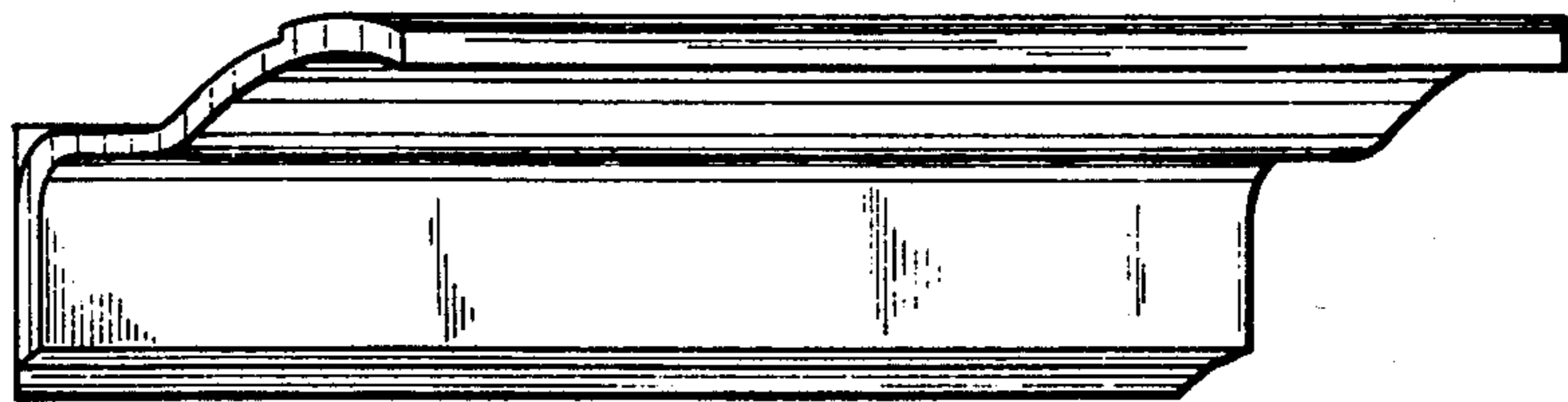


FIG. 7