

[54] **SCOPE MOUNT FOR A SHOTGUN**

[76] **Inventor: Daniel L. Bechtel, P.O. Box 11281,
Fort Worth, Tex. 76109**

[**] **Term: 14 Years**

[21] **Appl. No.: 688,250**

[22] **Filed: Jan. 2, 1985**

[52] **U.S. Cl. D22/110**

[58] **Field of Search D22/110; 42/1 S, 1 ST;
33/245, 261**

[56] **References Cited**

U.S. PATENT DOCUMENTS

D. 256,830 9/1980 Bechtel D22/110
3,366,358 1/1968 Luning D22/110 X

3,922,794 12/1975 Ackerman D22/110 X

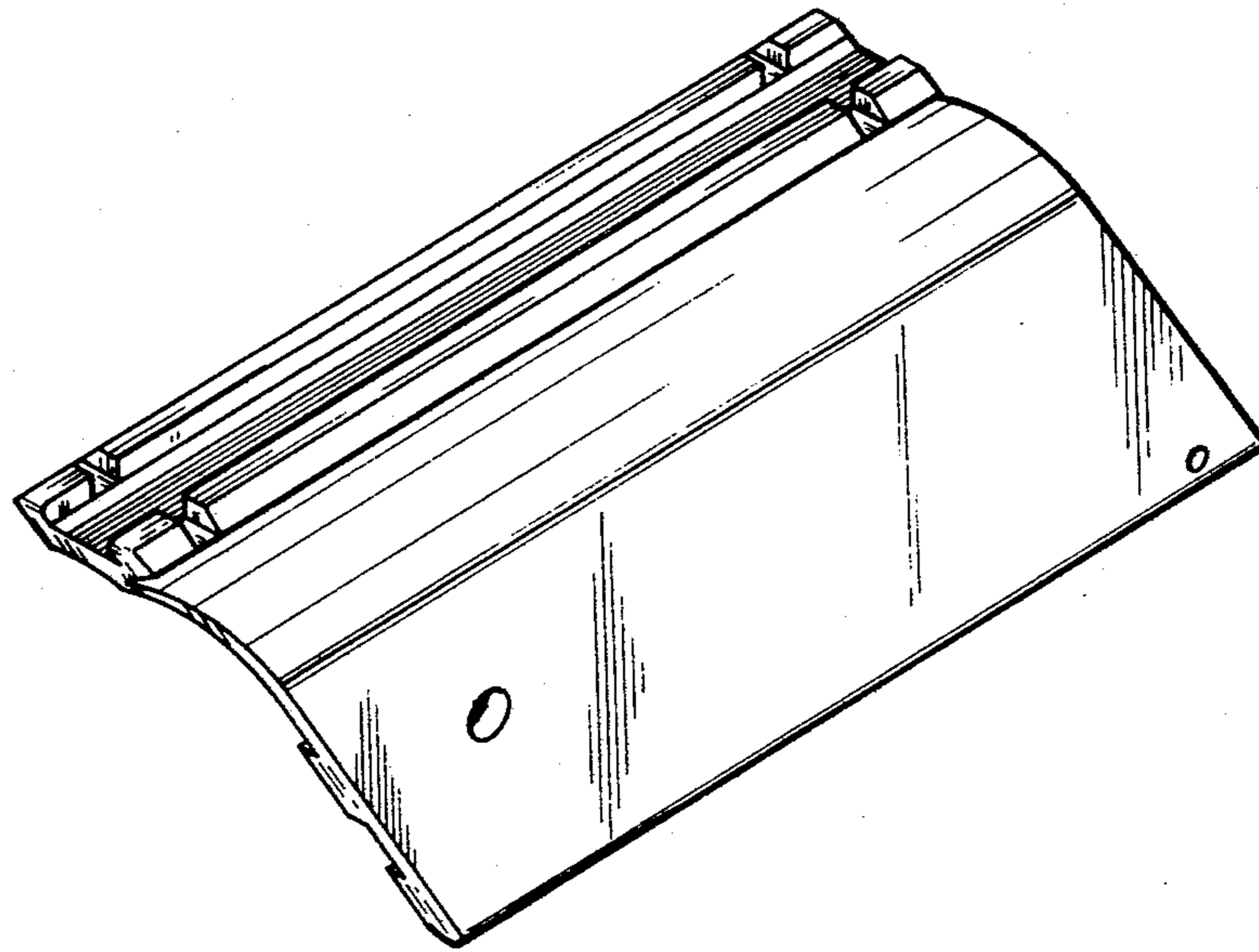
Primary Examiner—A. Hugo Word
Attorney, Agent, or Firm—Charles W. McHugh

[57] **CLAIM**

The ornamental design for a scope mount for a shotgun,
as shown.

DESCRIPTION

FIG. 1 is a perspective view of a scope mount for a
shotgun showing new design;
FIG. 2 is a front elevational view thereof;
FIG. 3 is a top plan view thereof;
FIG. 4 is a left side elevational view thereof;
FIG. 5 is a right side elevational view thereof;
FIG. 6 is a rear elevational view thereof; and
FIG. 7 is a bottom plan view thereof.



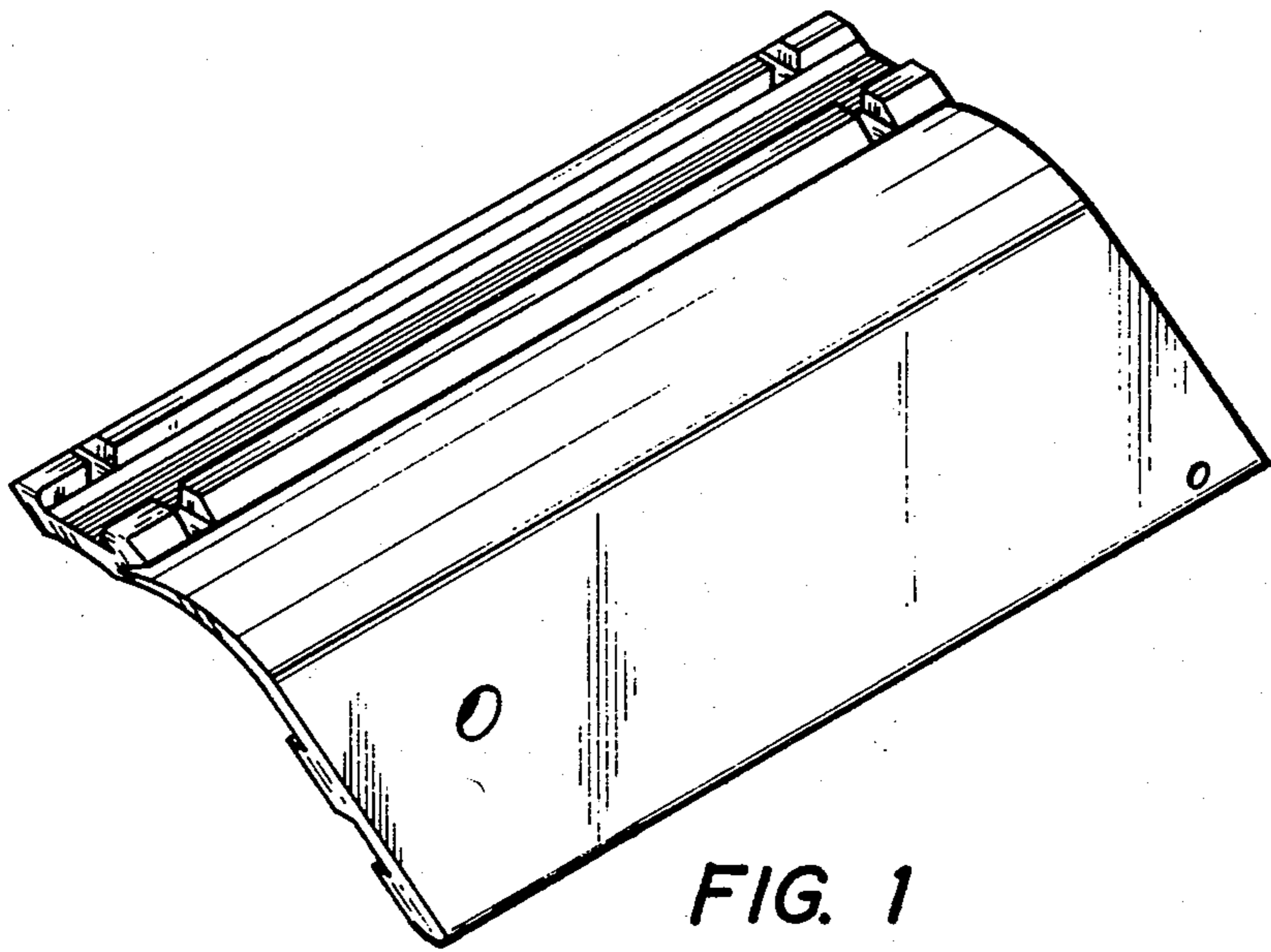


FIG. 1

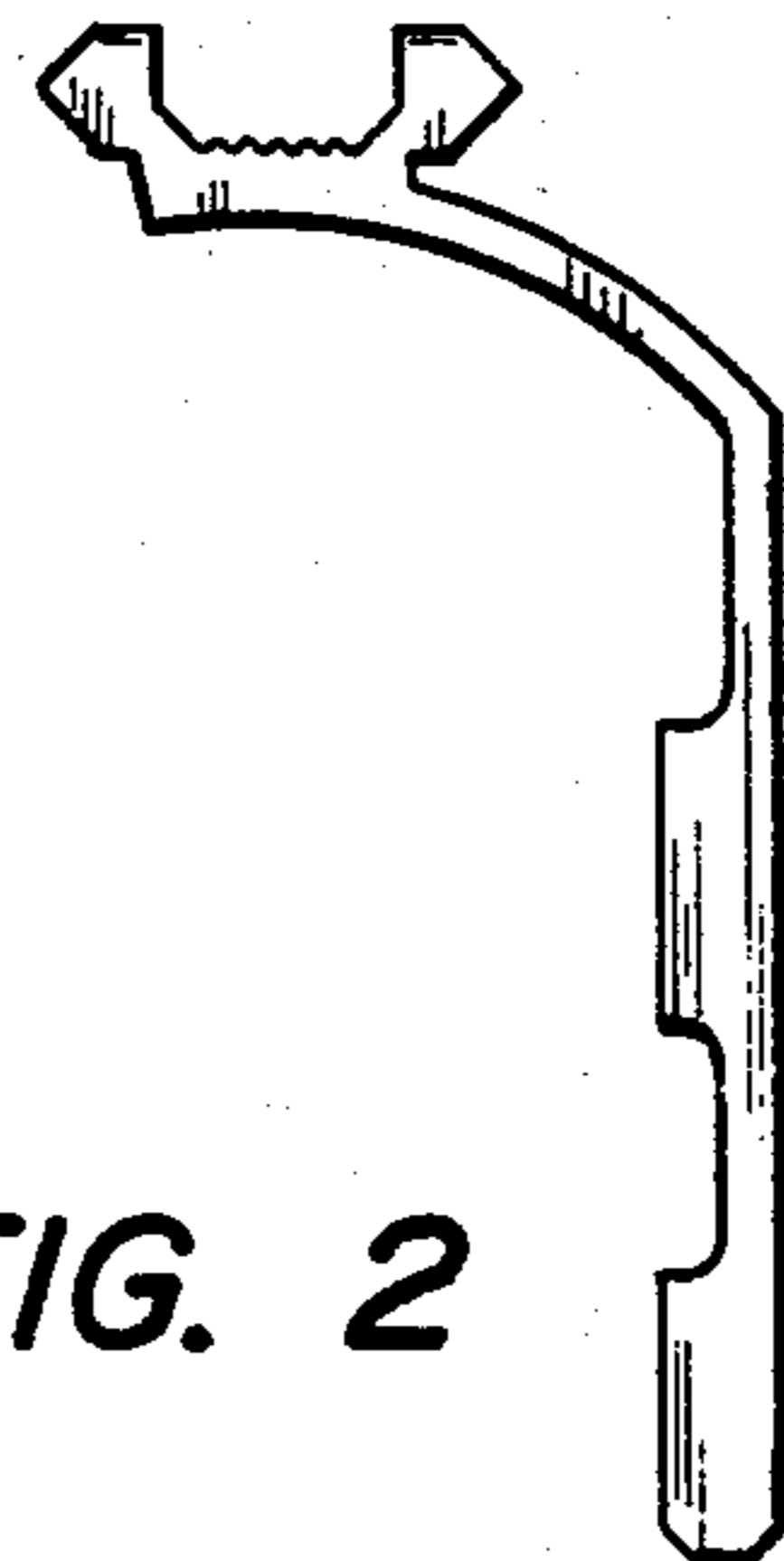


FIG. 2

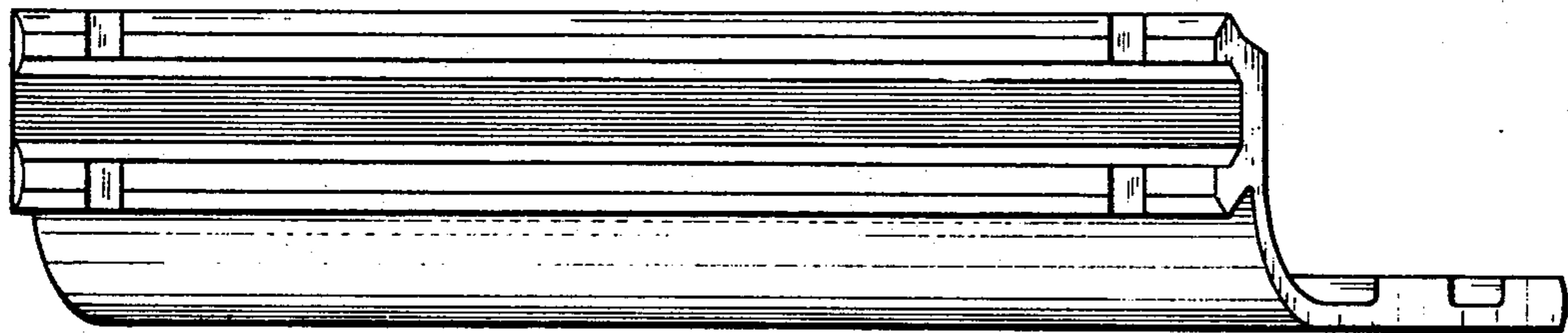


FIG. 3

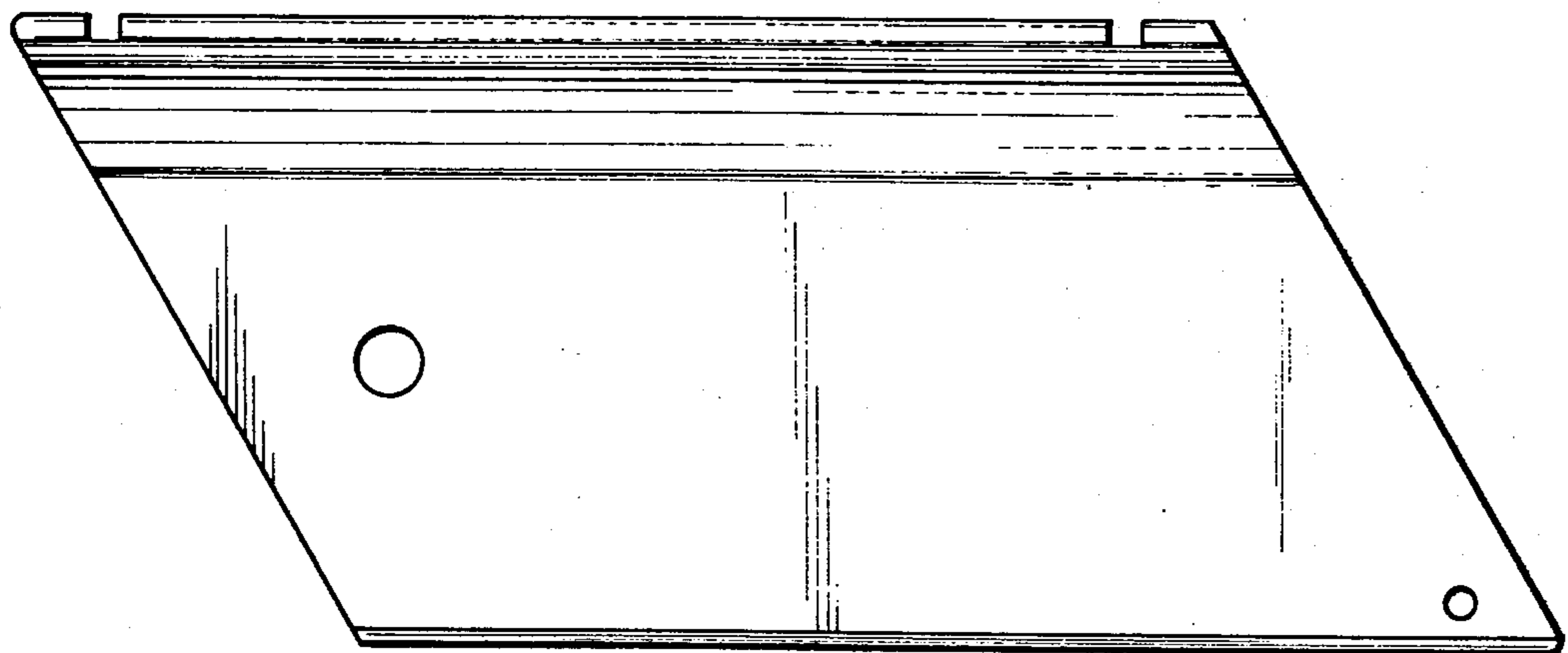


FIG. 4

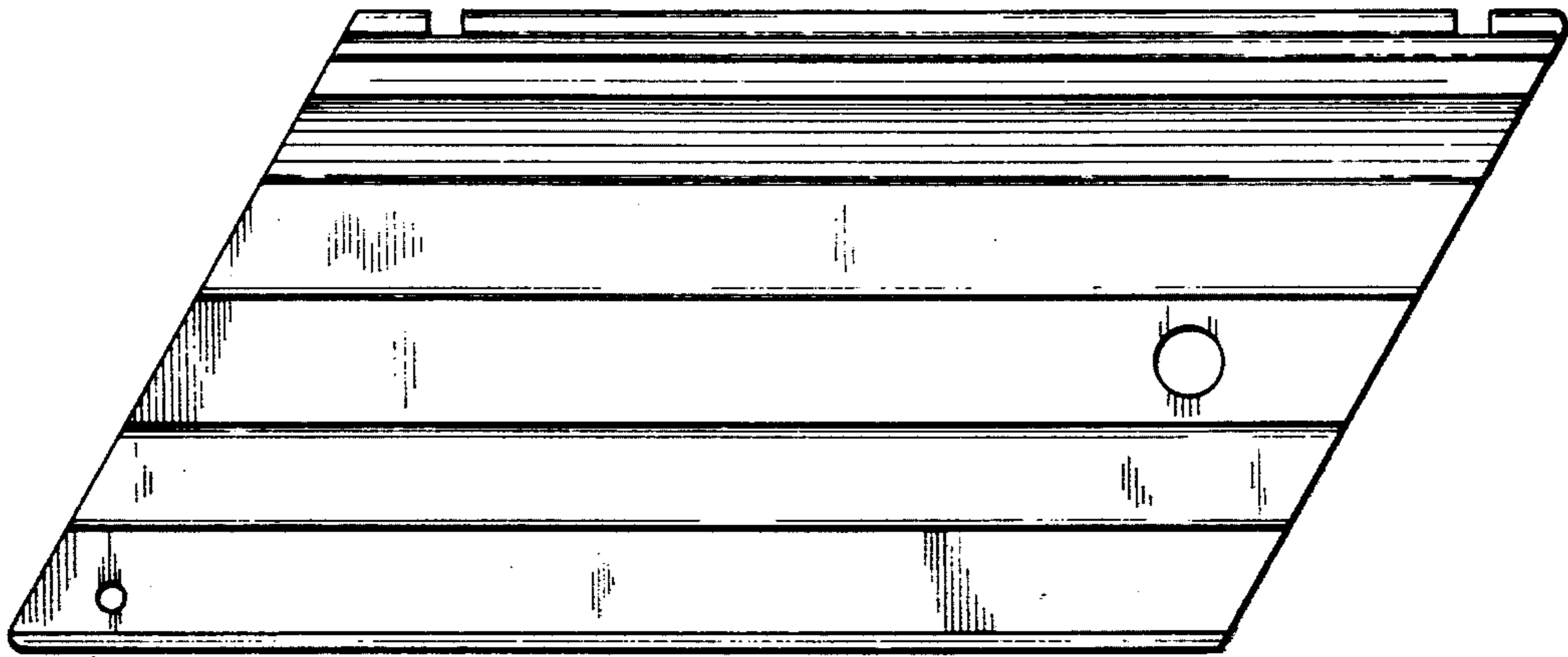


FIG. 5

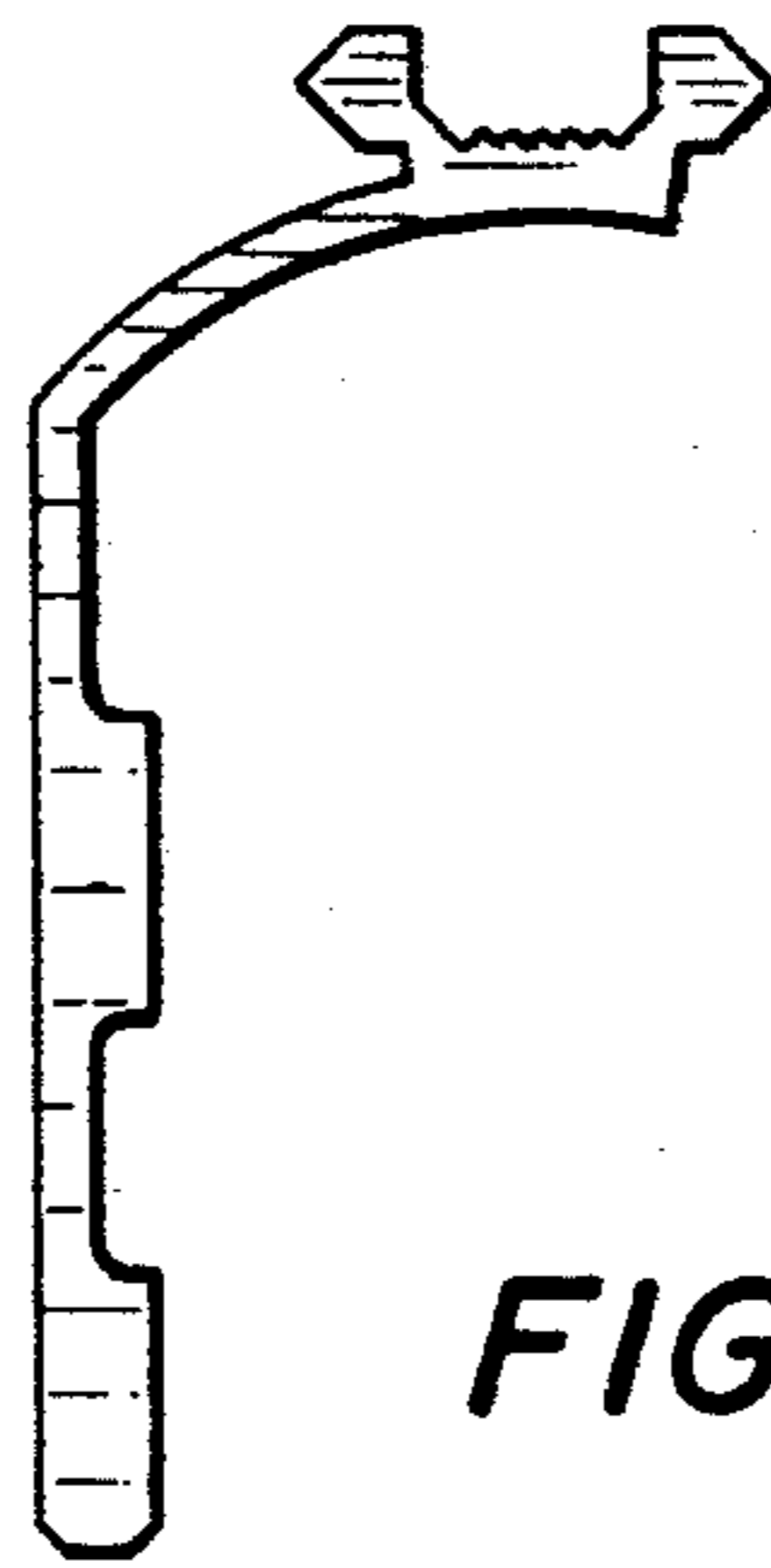


FIG. 6

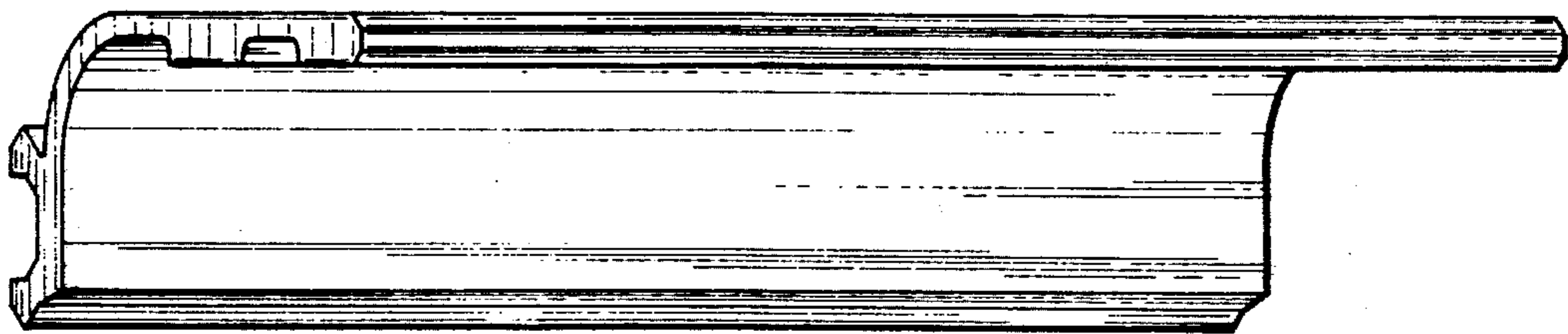


FIG. 7