

[54] CARTRIDGE HOLDER

[76] Inventor: Saide Abdo, 3005 Herrick Dr.,
Lansing, Mich. 48910

[**] Term: 14 Years

[21] Appl. No.: 683,156

[22] Filed: Dec. 18, 1984

[52] U.S. Cl. D22/108

[58] Field of Search D22/108; D3/100-101;
42/6, 18, 49 R, 50, 55; 224/239

[56] References Cited

U.S. PATENT DOCUMENTS

- 1,214,895 2/1917 Carr 224/239
- 2,756,913 7/1956 Oswald 224/239
- 3,769,733 11/1973 Nelson 224/239

FOREIGN PATENT DOCUMENTS

483800 1/1916 France 224/239

Primary Examiner—Wallace R. Burke

Assistant Examiner—Ruth E. Takemoto

Attorney, Agent, or Firm—Miller, Morriss & Pappas

[57] CLAIM

The ornamental design for a cartridge holder, as shown and described.

DESCRIPTION

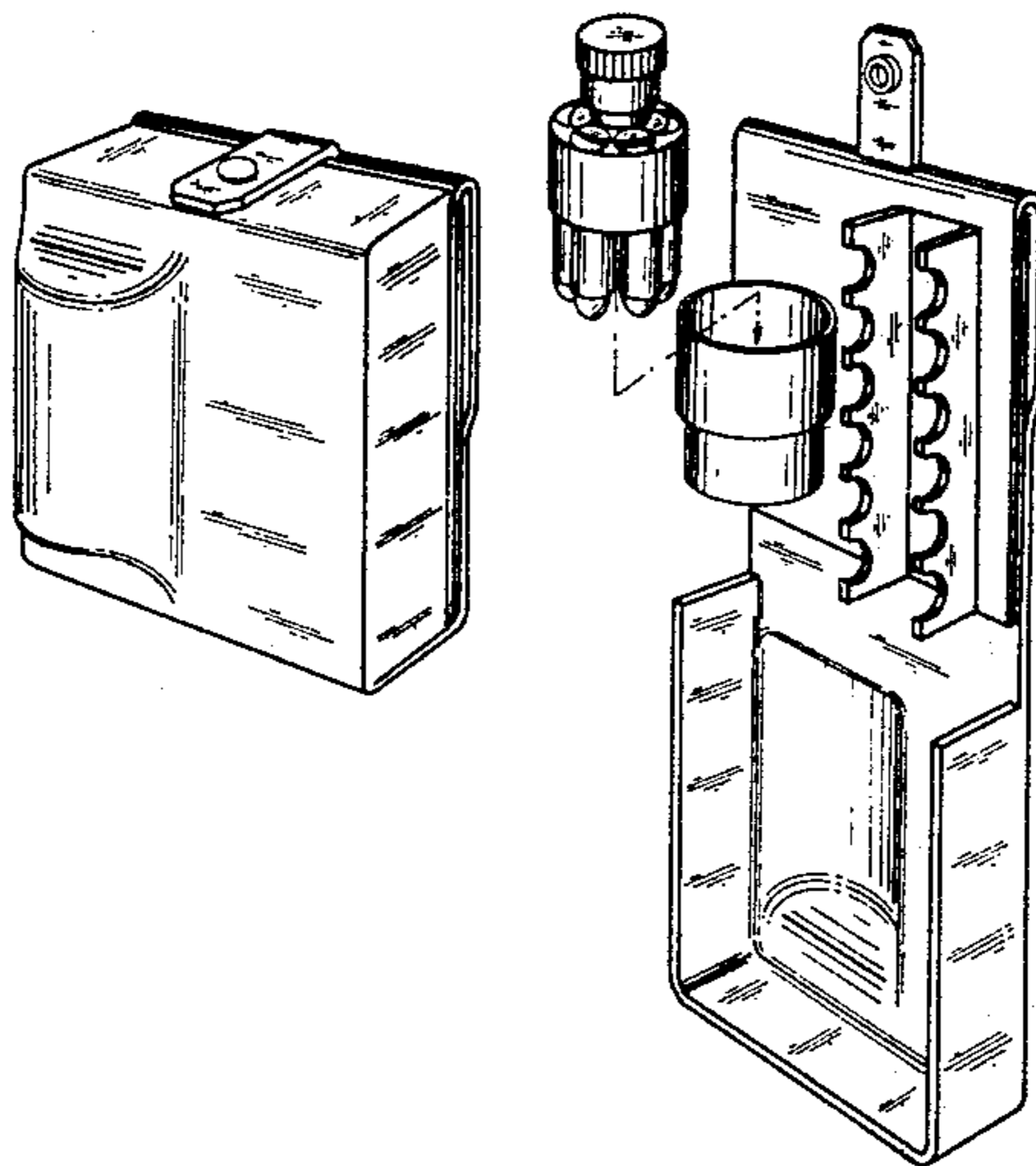
FIG. 1 is a front perspective view of a cartridge holder showing my new design;

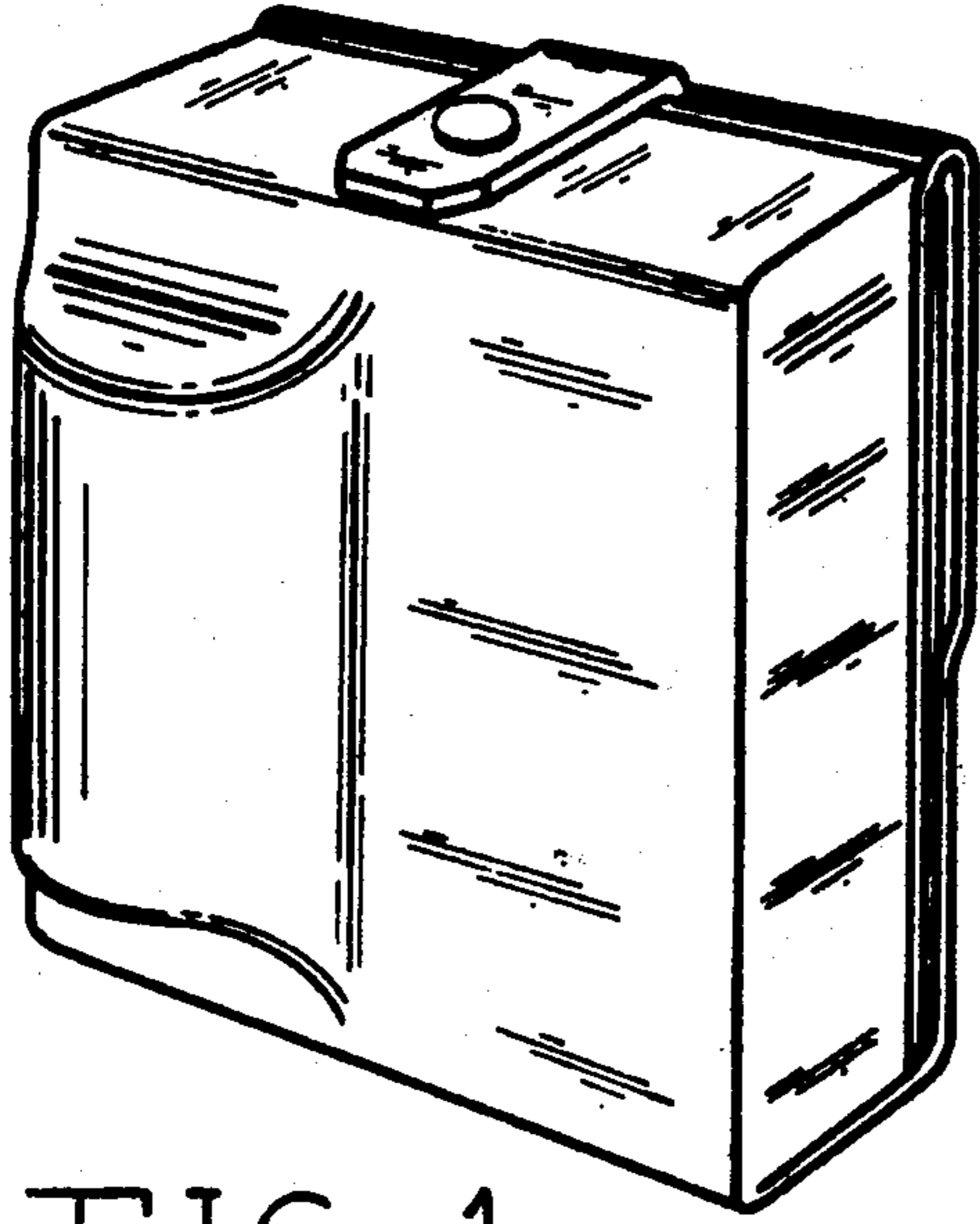
FIG. 2 is a rear perspective view thereof;

FIG. 3 is an exploded perspective view thereof showing the cartridge holder in its open position;

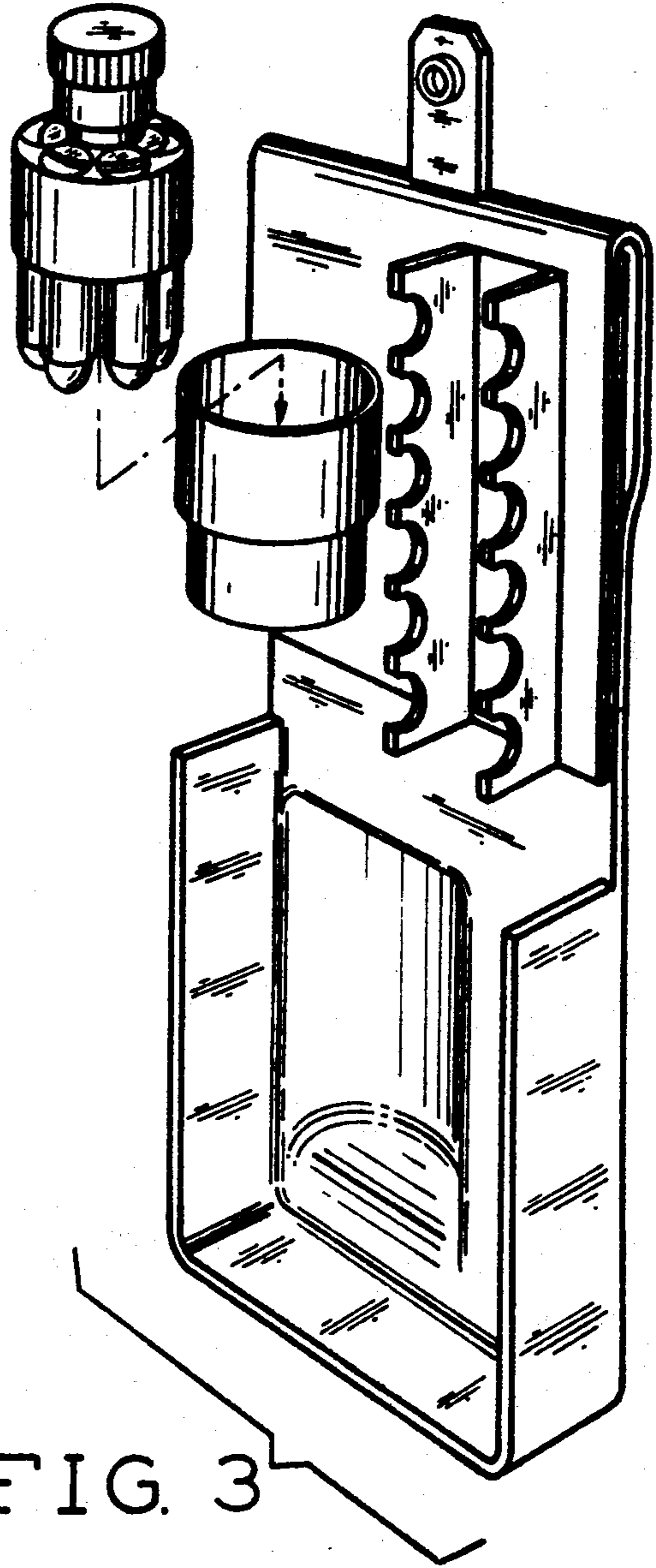
FIG. 4 is a side elevational view thereof in a closed position.

The undisclosed bottom is substantially flat and unornamented.





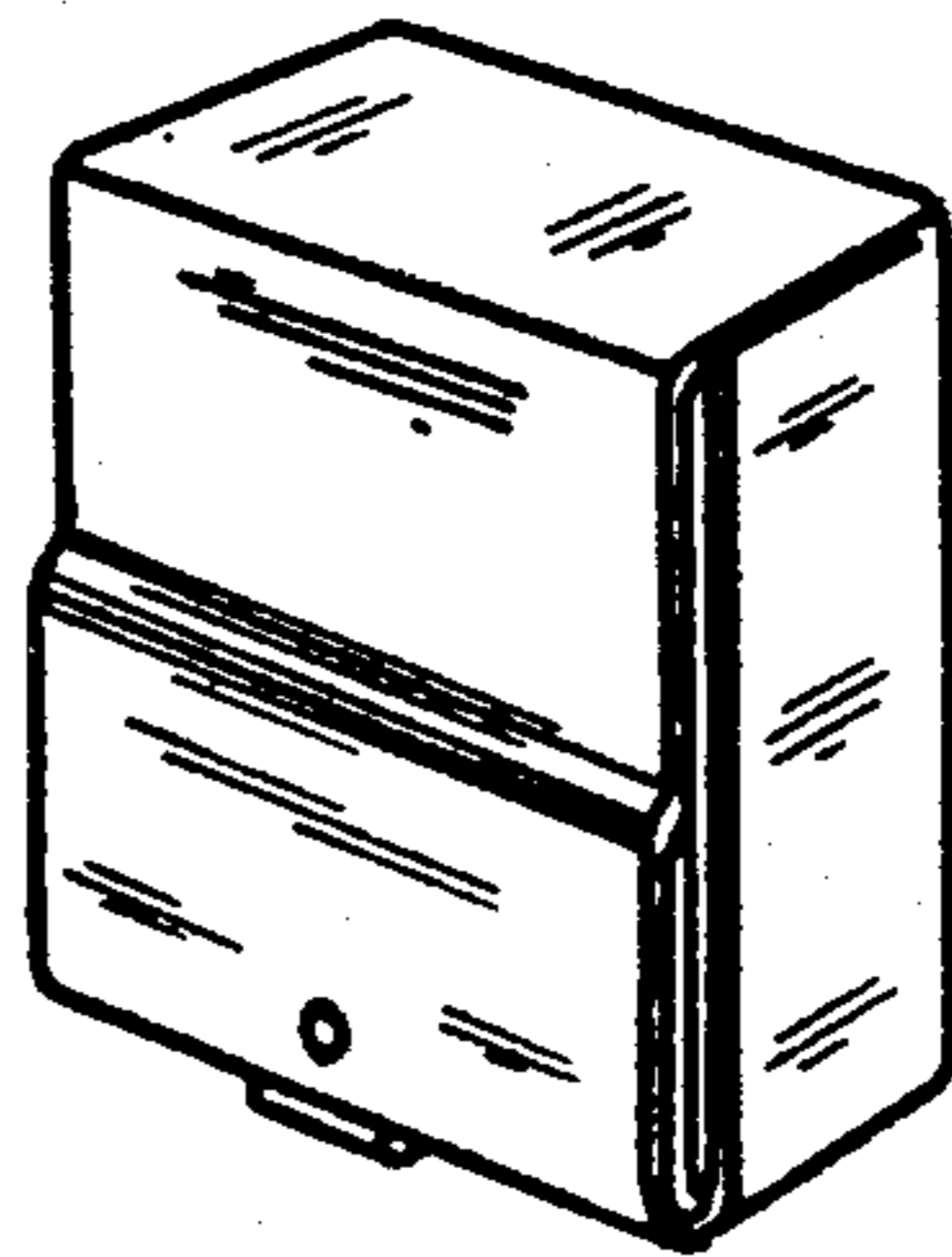
—FIG. 1



—FIG. 3



—FIG. 4



—FIG. 2