

[54] ERGOMETER

[75] Inventor: Aimo Aalto, Turku, Finland

[73] Assignee: Tunturipyora OY, Turku, Finland

[\*\*] Term: 14 Years

[21] Appl. No.: 703,407

[22] Filed: Feb. 20, 1985

[30] Foreign Application Priority Data

Sep. 4, 1984 [FI] Finland ..... 851/84

[52] U.S. Cl. .... D21/194

[58] Field of Search ..... D21/194-199;  
272/70.3, 73, 182, DIG. 6; 73/379

[56] References Cited

U.S. PATENT DOCUMENTS

- D. 275,589 9/1984 Gustafsson ..... D21/194
- D. 279,811 7/1985 Nakao et al. .... D21/194
- D. 280,003 8/1985 Kiiski ..... D21/194
- D. 280,923 10/1985 Smith et al. .... D21/194

- D. 281,520 11/1985 Kiiski ..... D21/194
- D. 285,816 9/1986 Berntsson ..... D21/194
- D. 285,953 9/1986 Gustafsson ..... D21/194

OTHER PUBLICATIONS

Sporting Goods Dealer, 8-1982, p. 62, Universal Fitness Exercise Bikes.

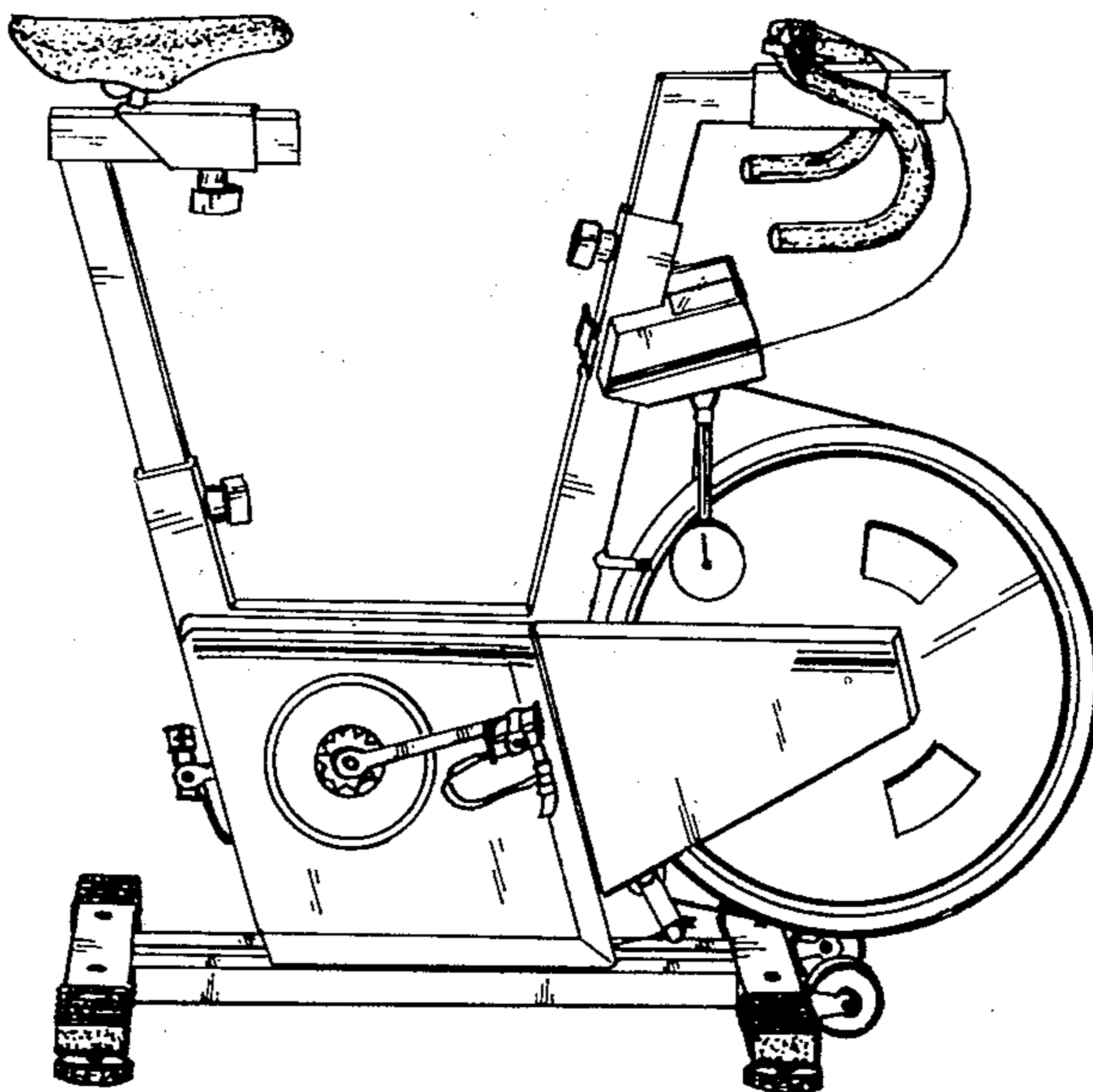
Primary Examiner—Charles A. Rademaker  
Attorney, Agent, or Firm—Fleit, Jacobson, Cohn & Price

[57] CLAIM

The ornamental design for a ergometer, as shown and described.

DESCRIPTION

FIG. 1 is a right side perspective view of an ergometer showing my new design;  
 FIG. 2 is a left side perspective view thereof;  
 FIG. 3 is a rear perspective view thereof;  
 FIG. 4 is a top perspective view thereof;  
 FIG. 5 is a front perspective view thereof; and,  
 FIG. 6 is a bottom perspective view thereof.



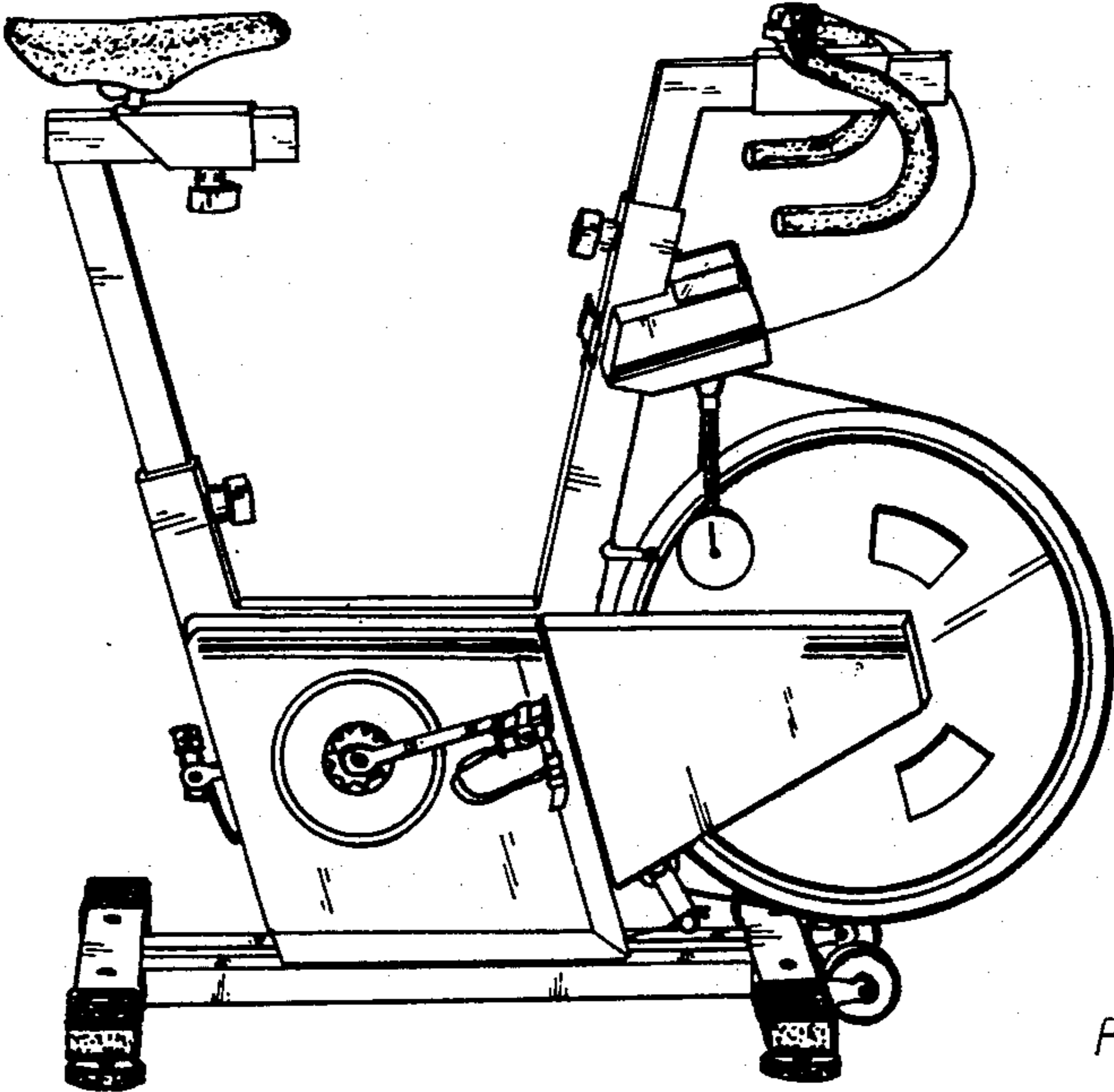


FIG. 1

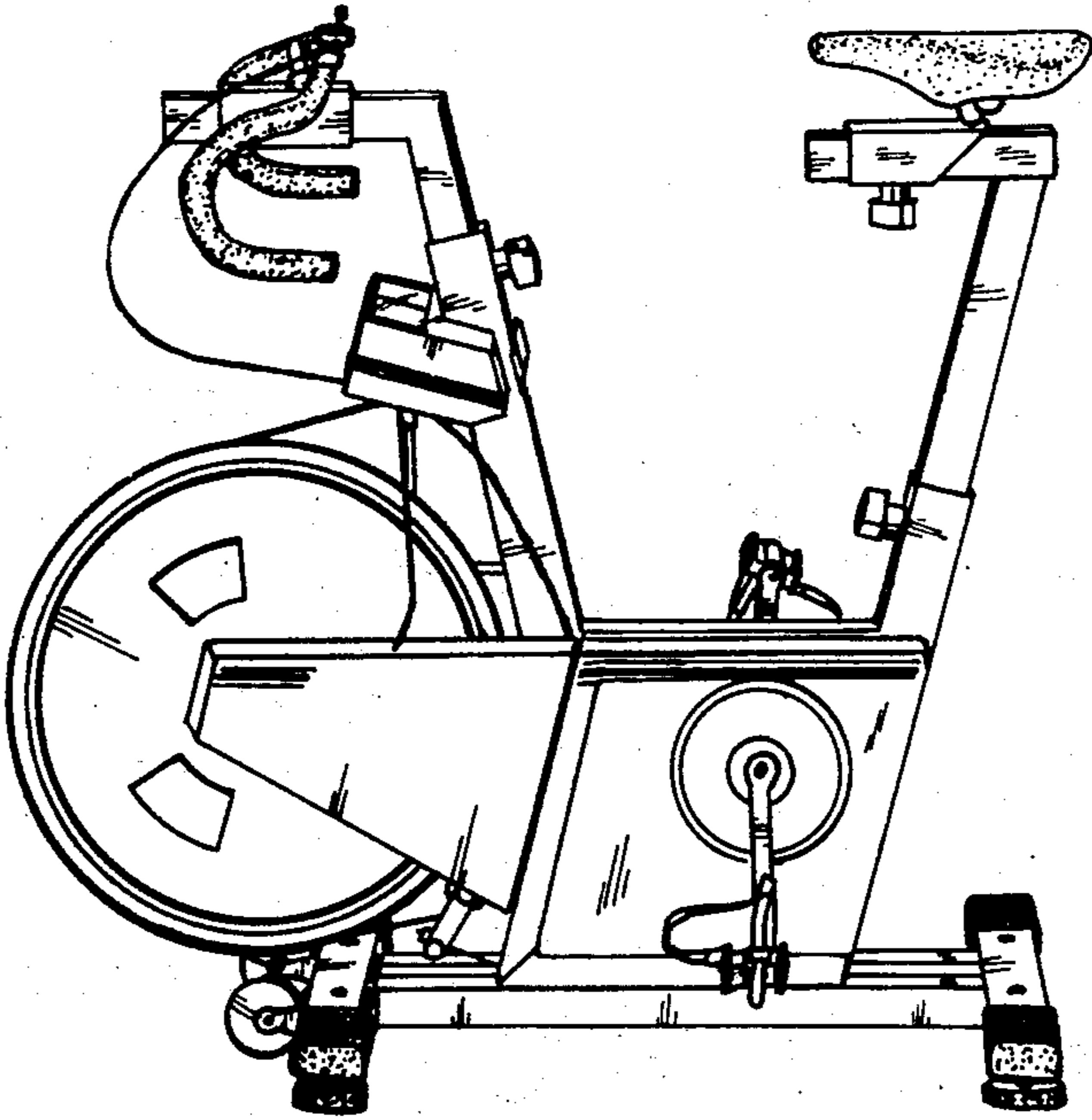


FIG. 2

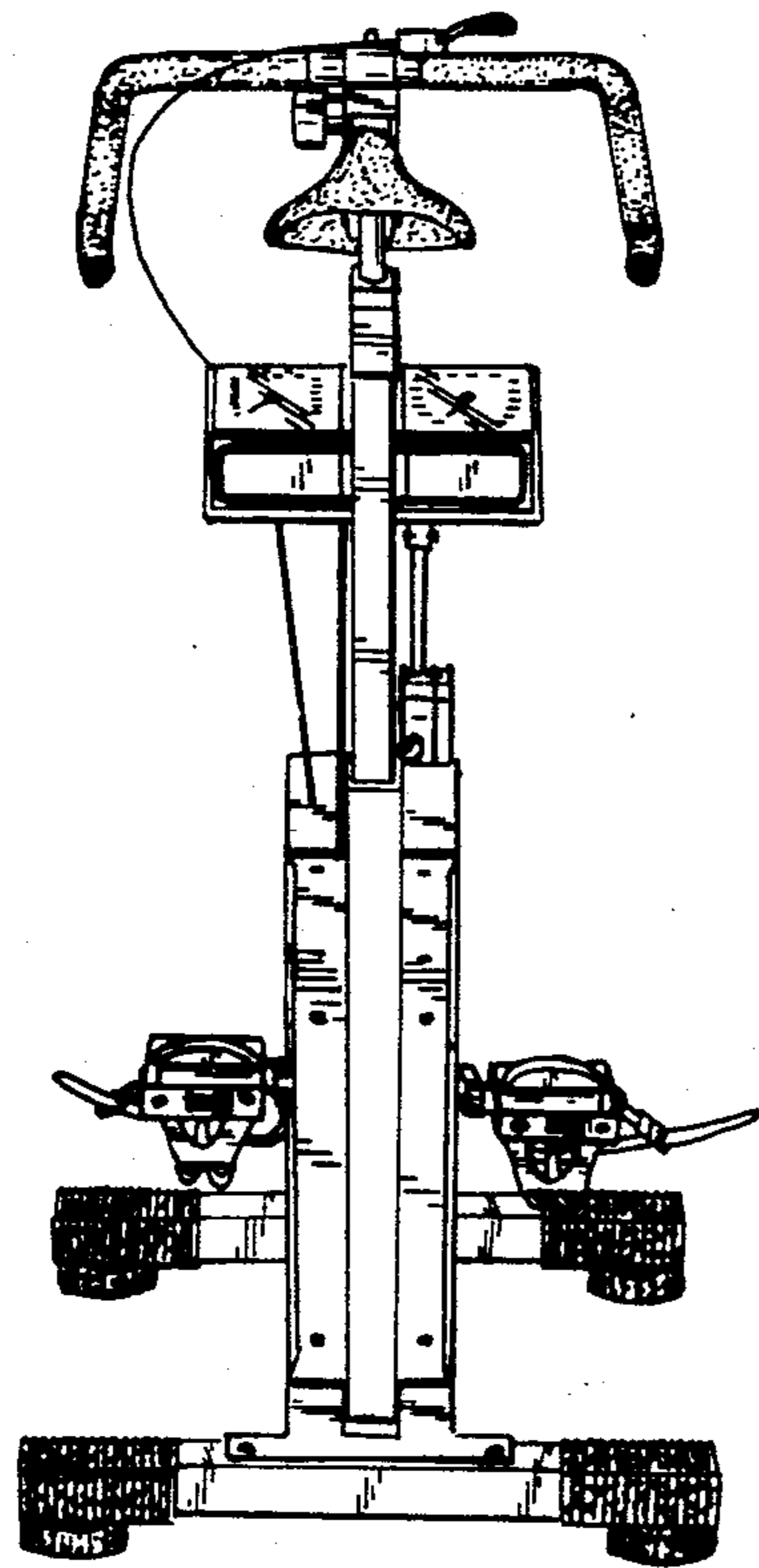


FIG. 3

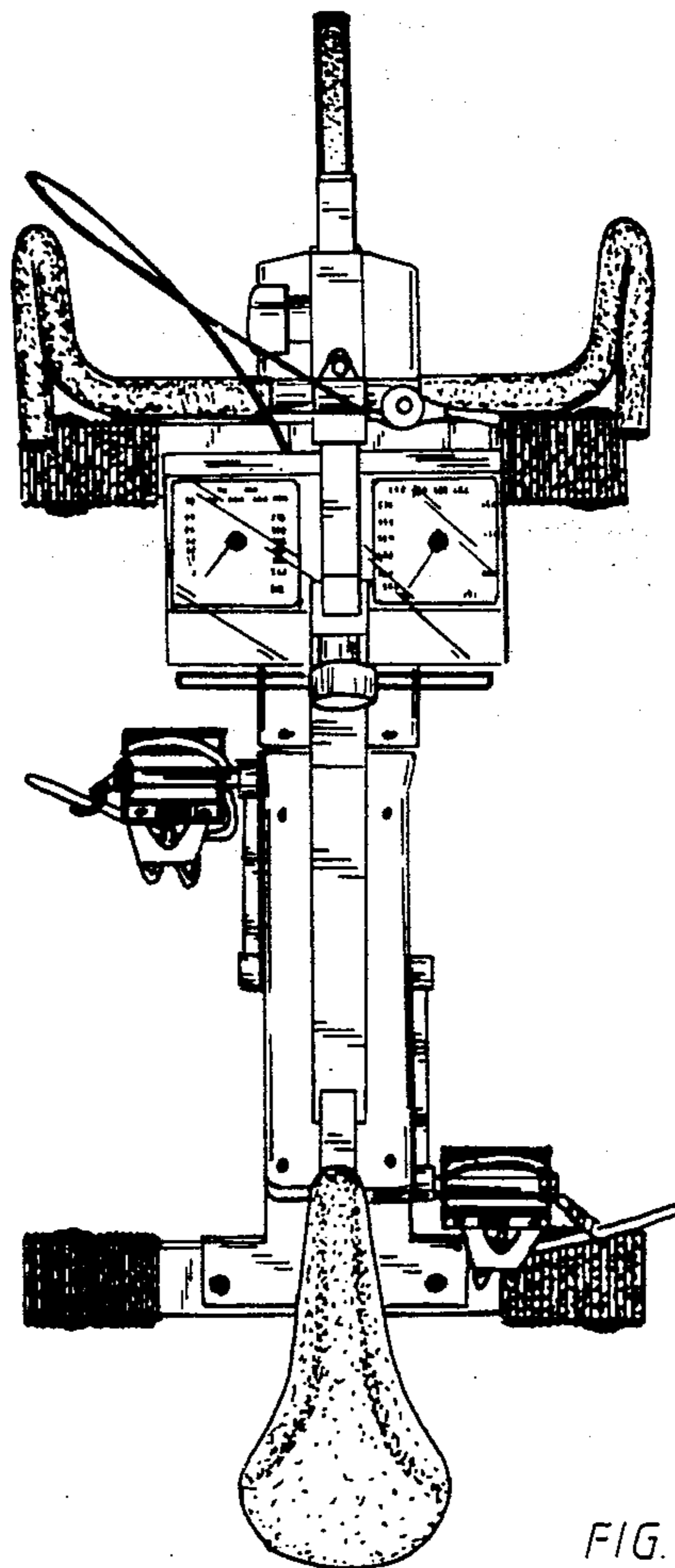


FIG. 4

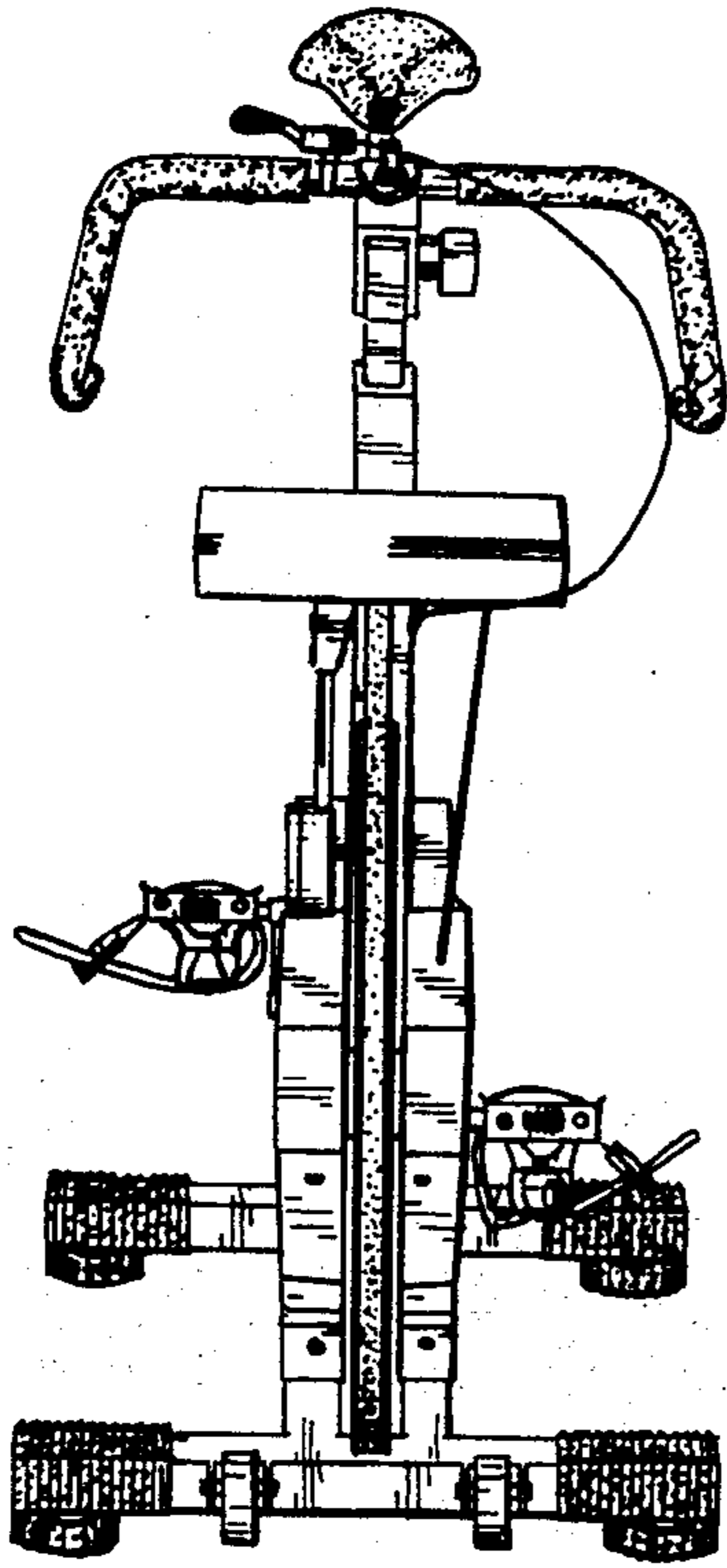


FIG. 5

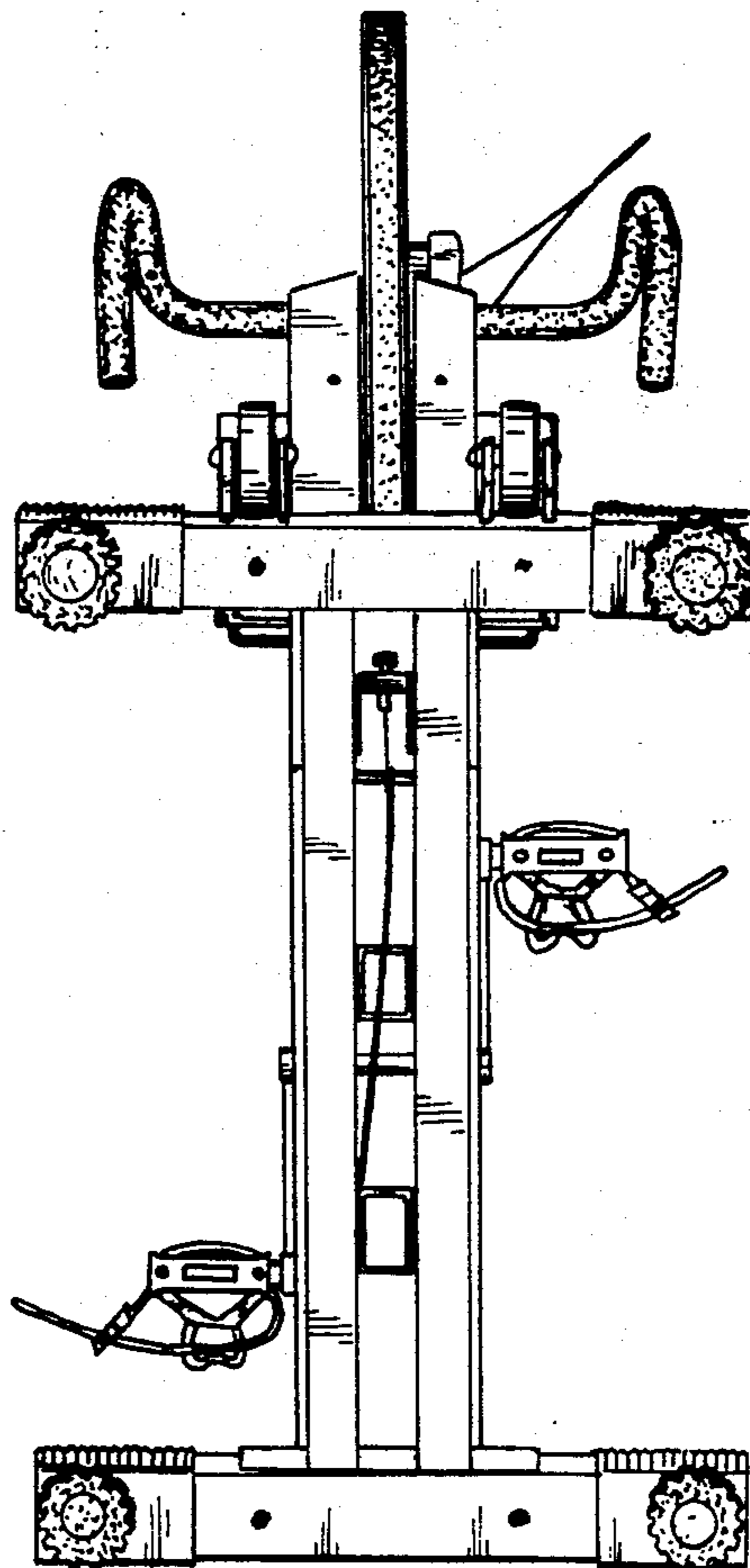


FIG. 6