

United States Patent [19]

Mazzoleni

[11] Patent Number: **Des. 291,460**

[45] Date of Patent: **** Aug. 18, 1987**

[54] **TOY CONSTRUCTION PIECE**

3,979,855 9/1976 Schmidt et al. 446/124 X

[75] Inventor: **Giuseppe Mazzoleni, Valle S. Bartolomeo, Italy**

Primary Examiner—A. Hugo Word
Attorney, Agent, or Firm—Sughrue, Mion, Zinn, Macpeak & Seas

[73] Assignee: **Creative S.R.L., Italy**

[**] Term: **14 Years**

[57] **CLAIM**

[21] Appl. No.: **613,991**

The ornamental design for a toy construction piece, as shown.

[22] Filed: **May 25, 1984**

DESCRIPTION

[52] U.S. Cl. **D21/108**

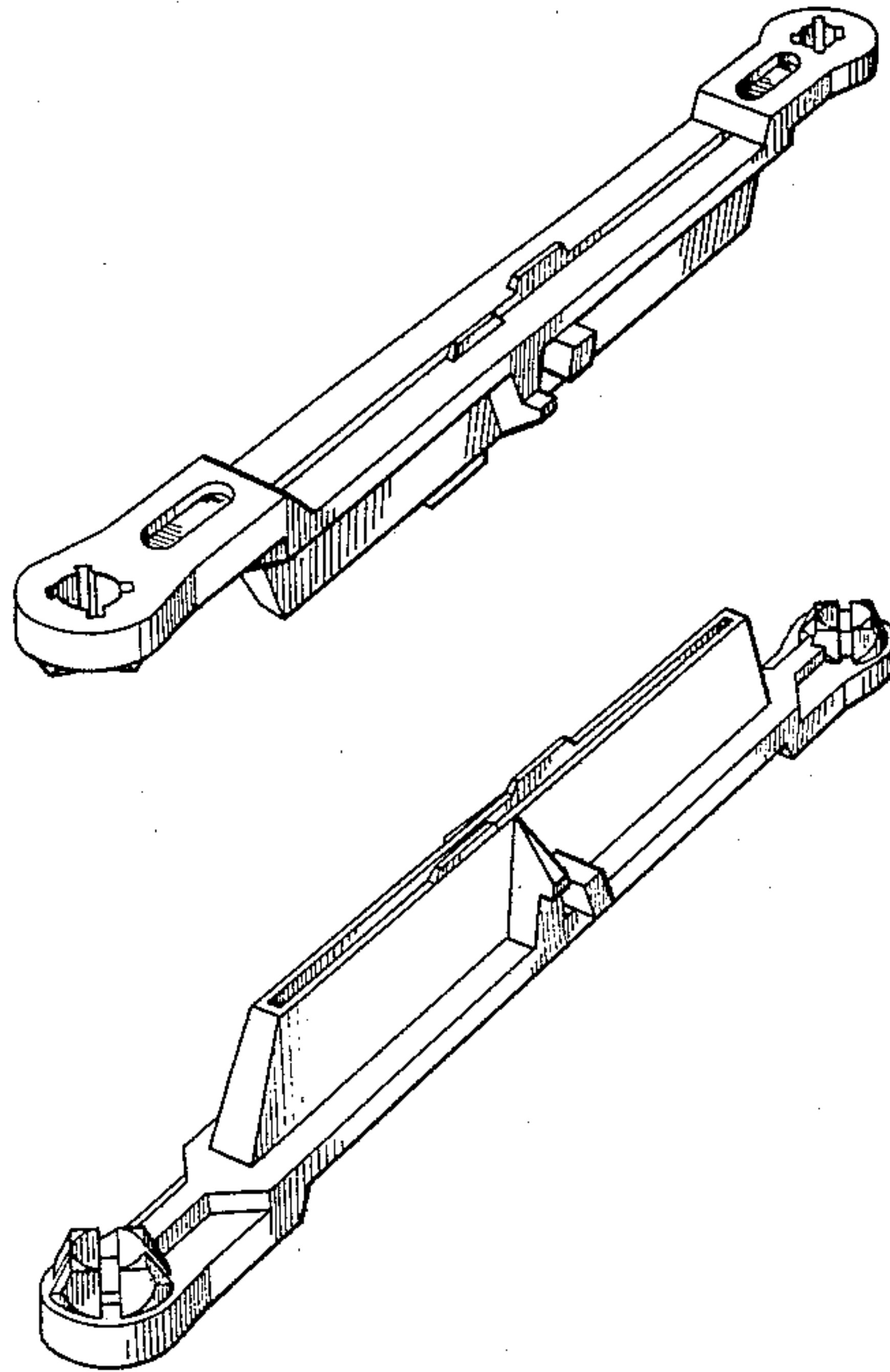
[58] Field of Search D21/108; D25/73, 74, D25/70; 446/85, 103, 122, 123, 124

FIG. 1 is a front elevational view of a toy construction piece showing my new design;
FIG. 2 is a top plan view thereof;
FIG. 3 is a rear view;
FIG. 4 is a plan view from below;
FIG. 5 is a left side view;
FIG. 6 is a right side view;
FIG. 7 is a perspective view from above;
FIG. 8 is a perspective view from below.

[56] **References Cited**

U.S. PATENT DOCUMENTS

3,510,979 5/1970 Fischer 446/124 X
3,528,192 9/1970 Meates 446/124 X
3,626,634 12/1971 Jones et al. 446/122



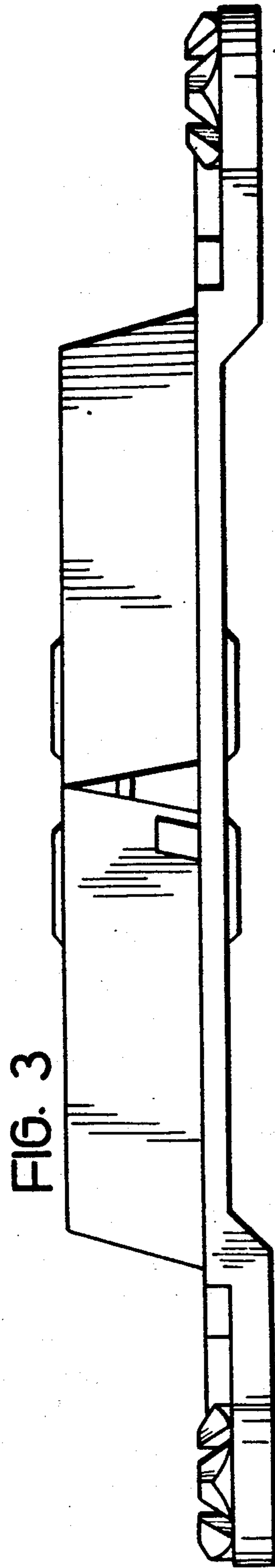
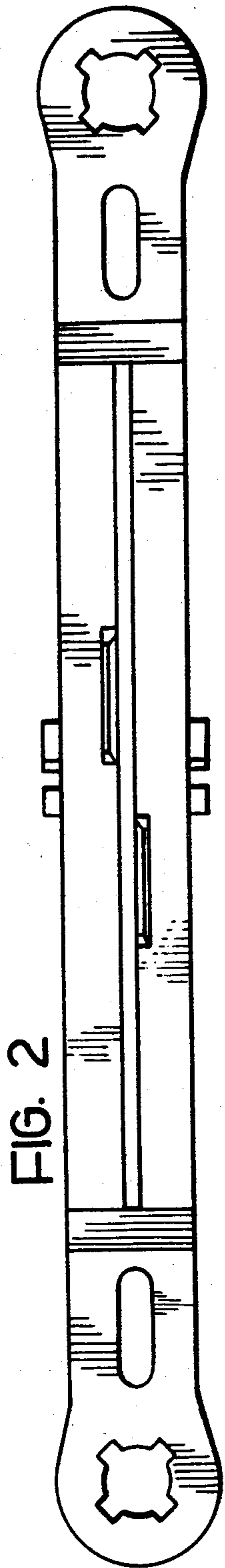
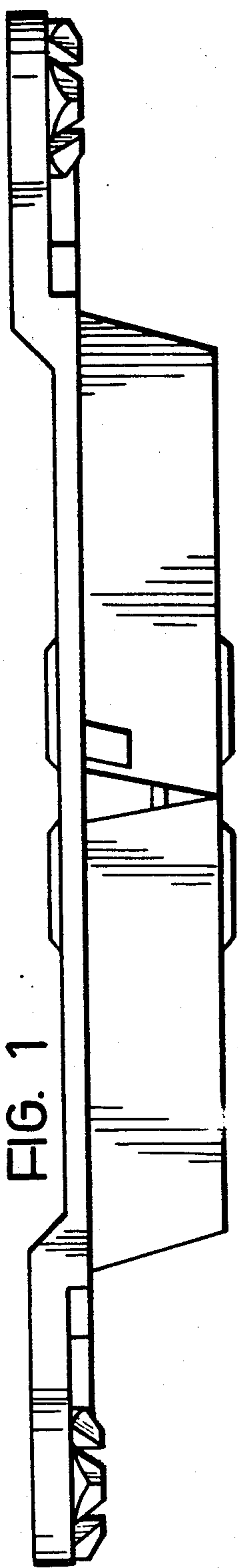


FIG.4

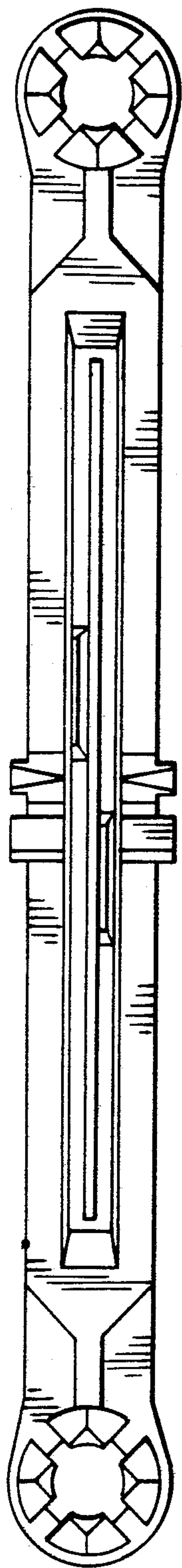


FIG.5

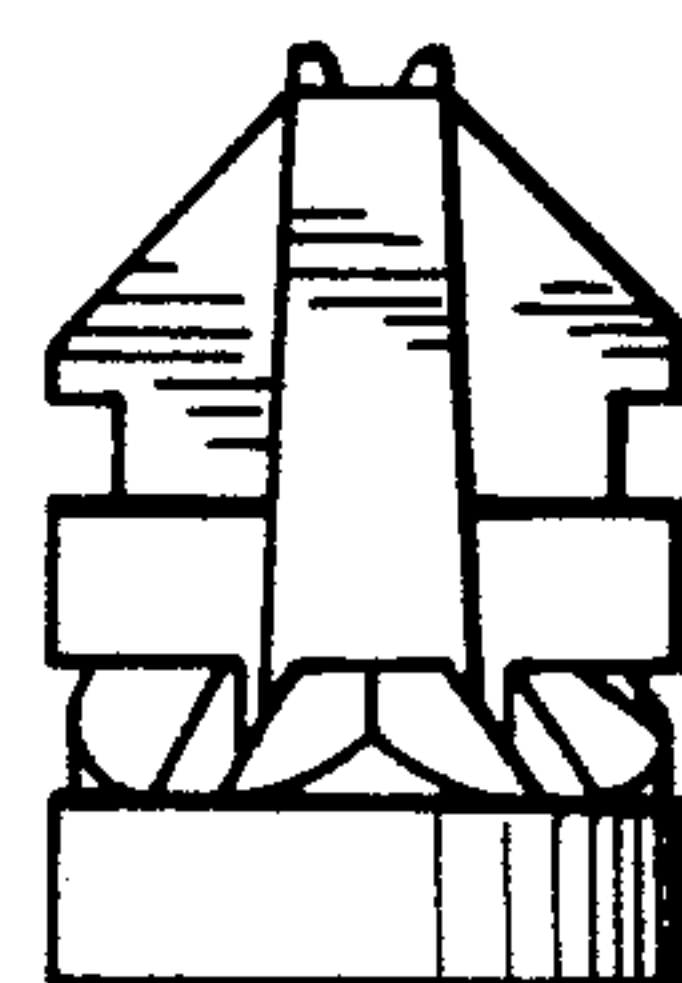


FIG.6

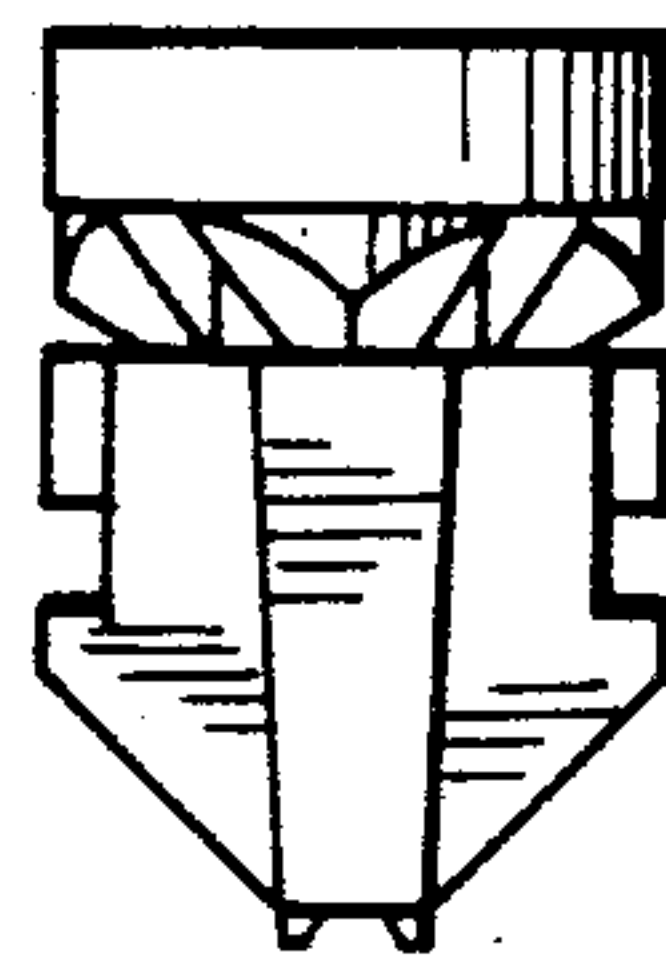


FIG. 7

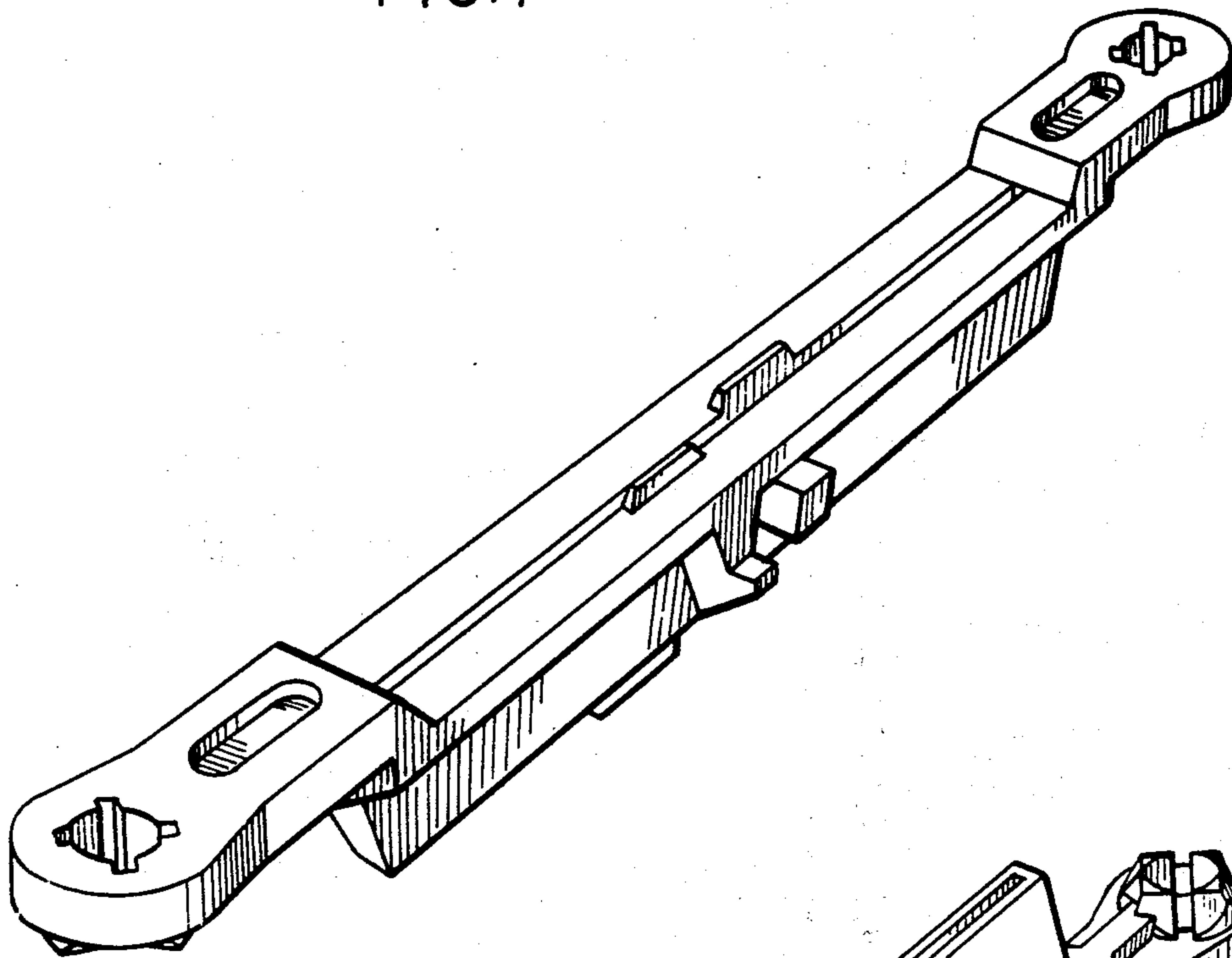


FIG. 8

