

# United States Patent [19]

Ruggles

[11] Patent Number: **Des. 291,459**

[45] Date of Patent: **\*\* Aug. 18, 1987**

[54] **ROTATABLE TOY KITE**

[75] Inventor: **Billy D. Ruggles, Belvidere, Ill.**

[73] Assignee: **Du-Call Miller Plastics Inc., Lisle, Ill.**

[\*\*] Term: **14 Years**

[21] Appl. No.: **775,579**

[22] Filed: **Sep. 13, 1985**

[52] U.S. Cl. .... **D21/88**

[58] Field of Search ..... **D21/82, 85, 88, 89, D21/91, 86; 244/153 R, 153 A, 154, 155 R; 446/488; D12/319, 321**

[56] **References Cited**

### U.S. PATENT DOCUMENTS

D. 160,910 11/1950 Wolford ..... D21/86  
D. 196,738 10/1963 Palmer ..... D34/15

D. 232,572 11/1974 Torsak ..... D21/01  
3,079,115 2/1963 Edwards et al. .... 244/153 A  
4,012,017 3/1977 Springston et al. .... 244/153 A  
4,121,794 10/1978 Lemelson ..... 244/153 A  
4,243,190 6/1981 Sams ..... 244/153 A

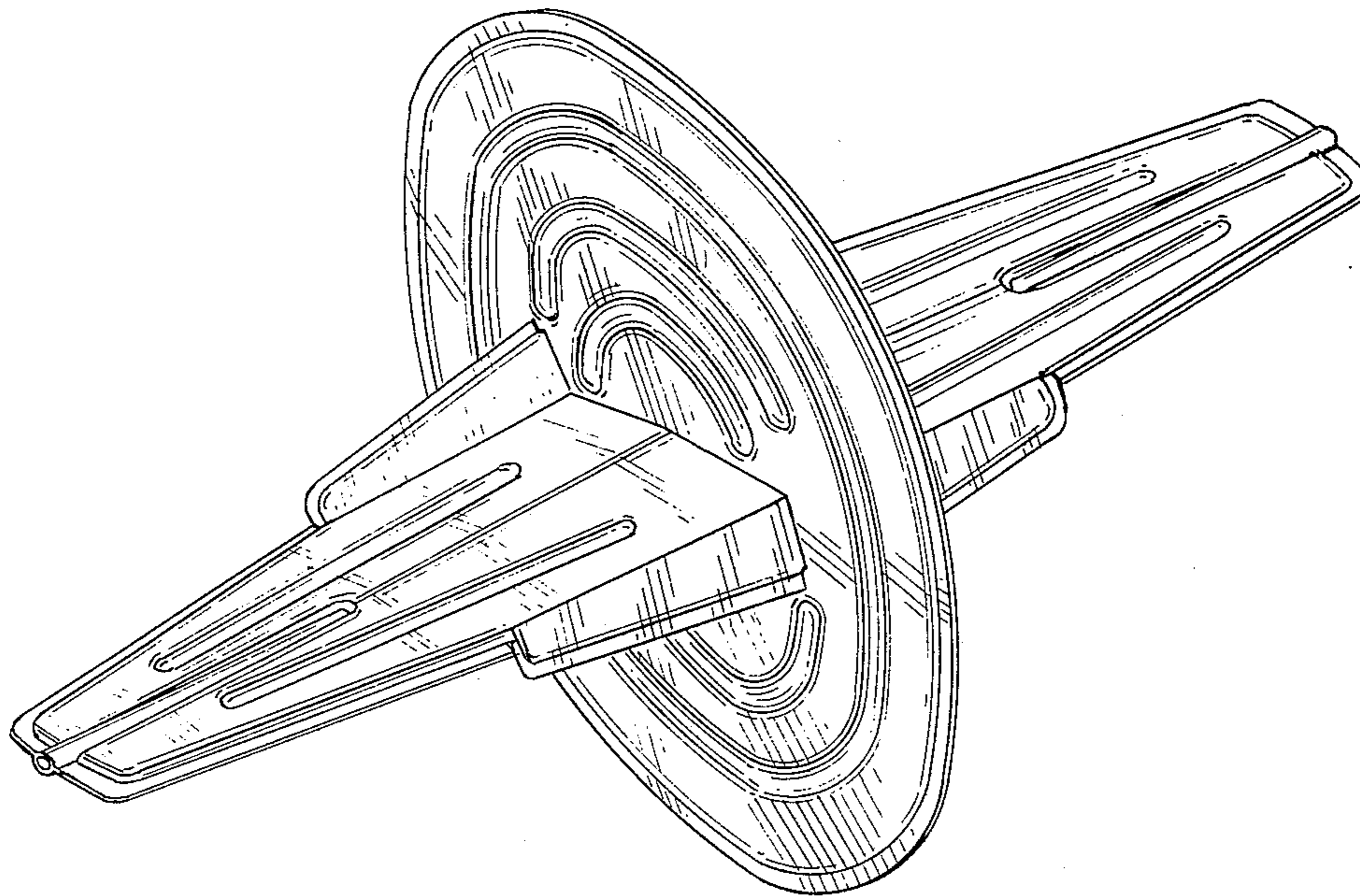
*Primary Examiner*—Charles A. Rademaker  
*Attorney, Agent, or Firm*—Lee, Smith & Zickert

### [57] CLAIM

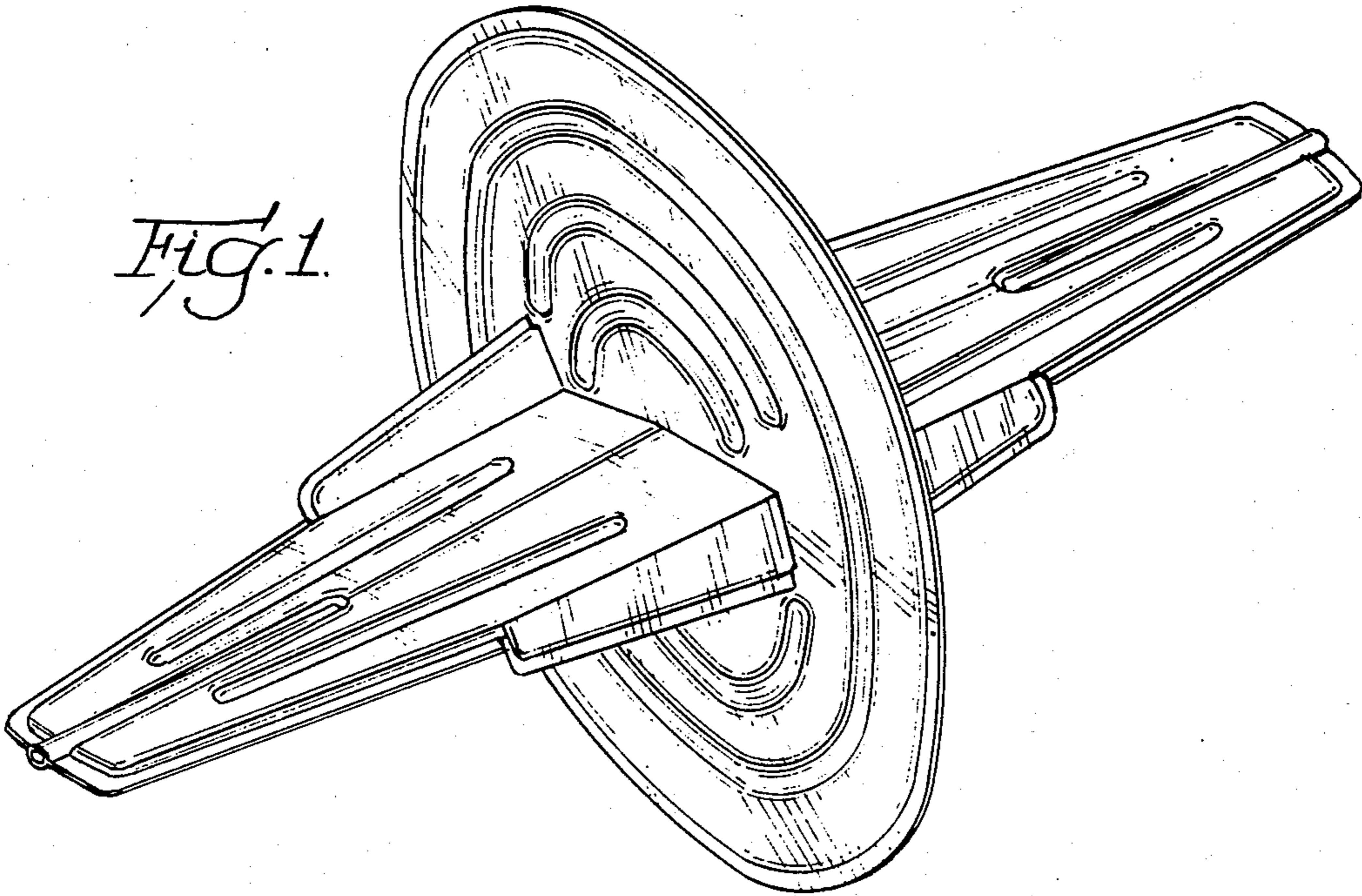
The ornamental design for a rotatable toy kite, substantially as shown and described.

### DESCRIPTION

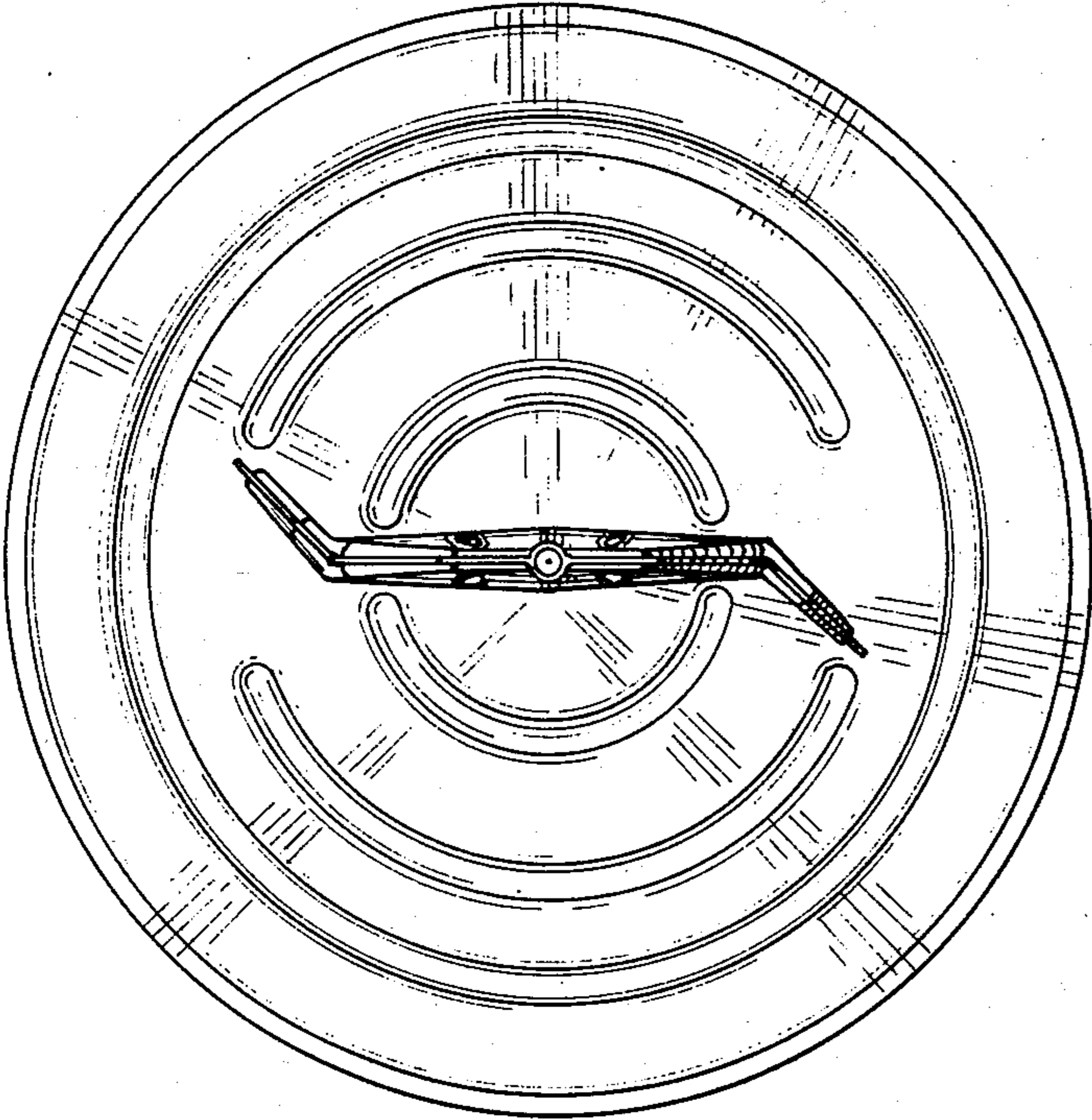
FIG. 1 is a perspective view of a rotatable toy kite showing my new design;  
FIG. 2 is a side elevational view thereof;  
FIG. 3 is a top plan view thereof; and,  
FIG. 4 is a rear elevational view thereof looking from the left of the side elevational view of FIG. 2.



*Fig. 1.*



*Fig. 2.*



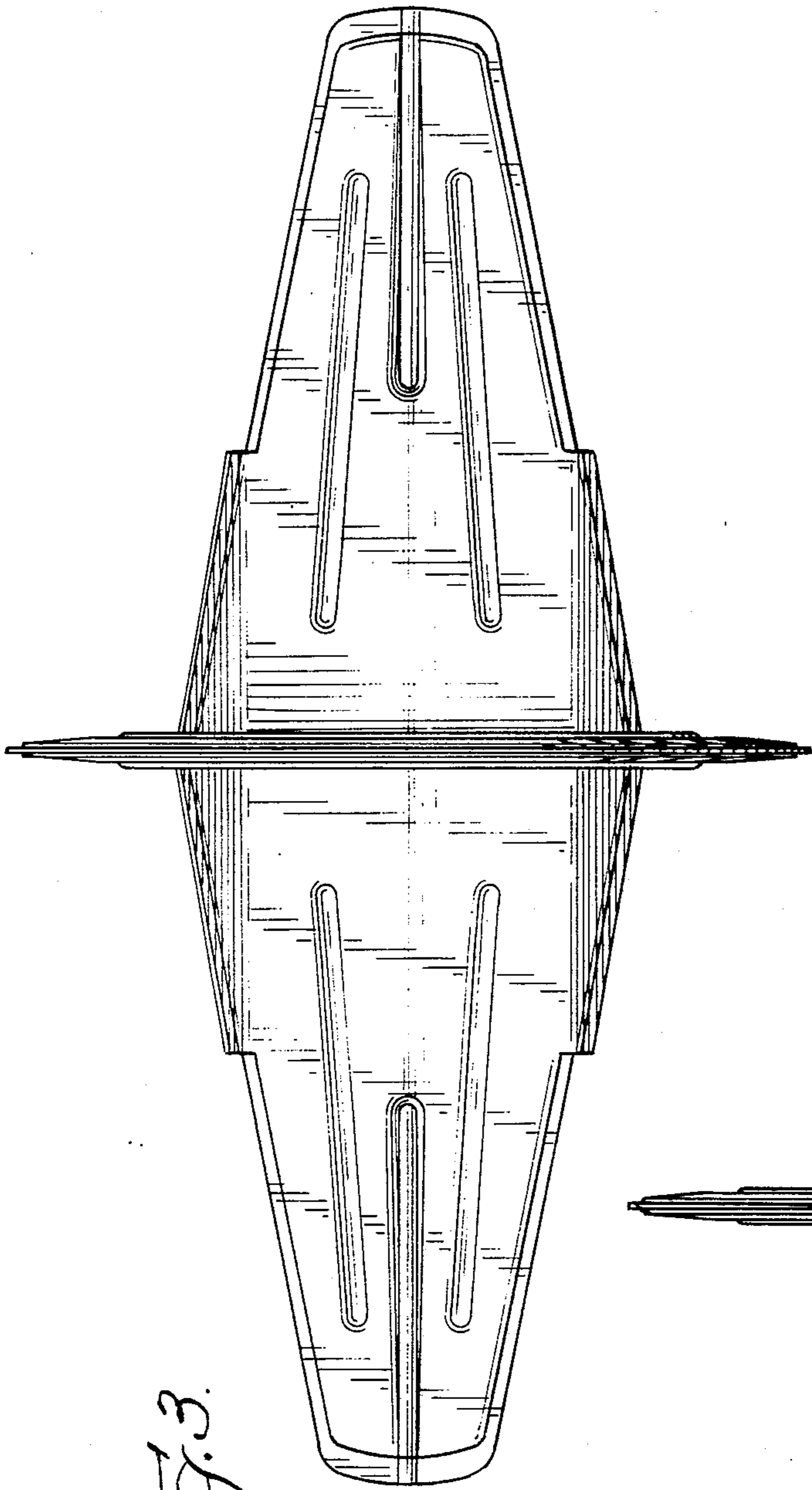


FIG. 3.

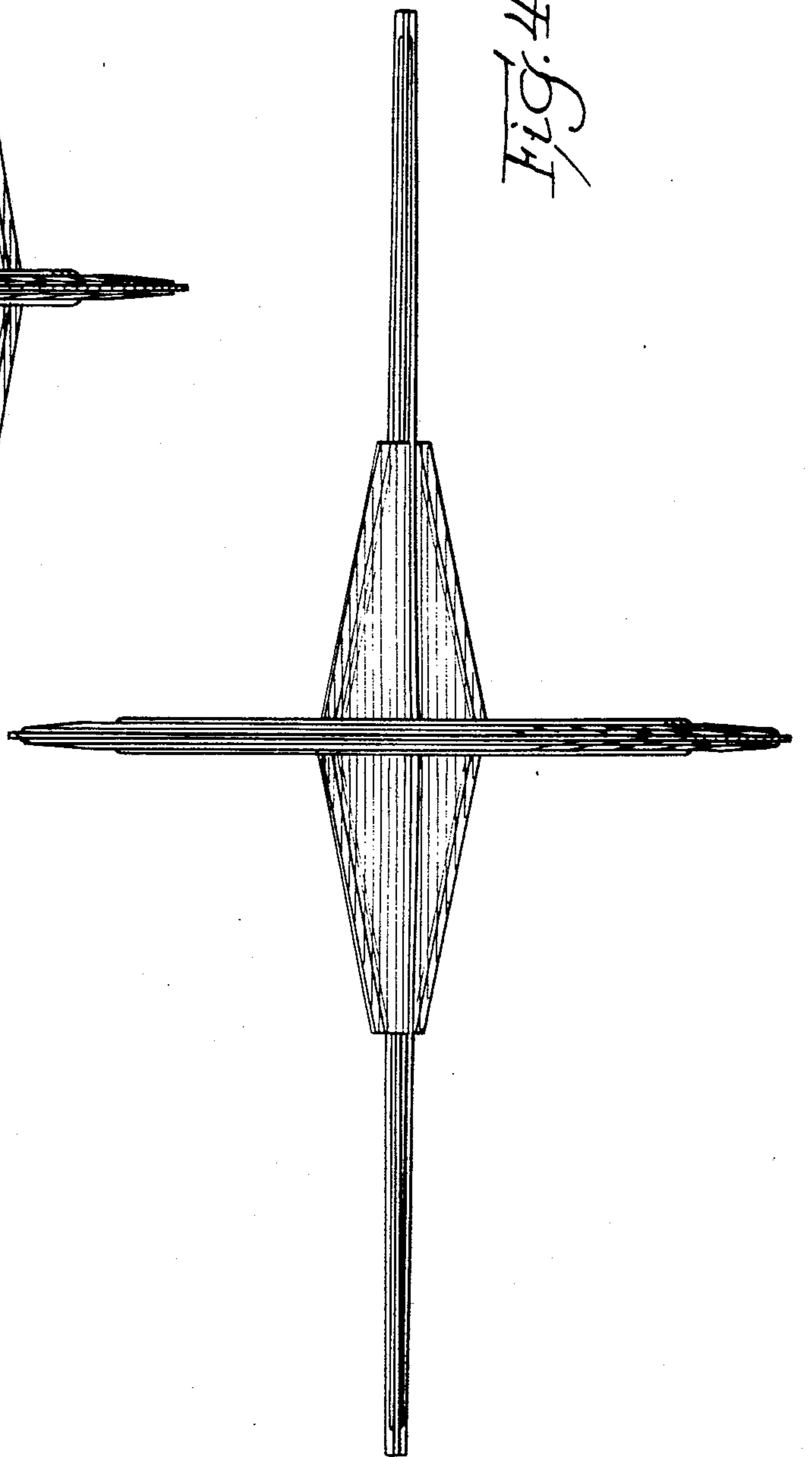


FIG. 4.