

[54] DUAL MAGNIFYING GLASS

[76] Inventor: Wong Tai-Kam, Kam Mow Industrial Bldg., 1F., Flat B, 44 Belcher's Street, Kennedy Town, Hong Kong

[**] Term: 14 Years

[21] Appl. No.: 664,488

[22] Filed: Oct. 24, 1984

[30] Foreign Application Priority Data

Jun. 28, 1984 [GB] United Kingdom 1020603

[52] U.S. Cl. D16/135

[58] Field of Search D16/130-136; 350/235, 242, 245, 246, 256

[56] References Cited

U.S. PATENT DOCUMENTS

D. 127,366	5/1941	Bouchard	D16/135
1,148,550	8/1915	Thompson	350/256
1,415,511	5/1922	Bausch	350/256
2,384,528	9/1945	Brandt et al.	350/256 X

OTHER PUBLICATIONS

Bausch and Lomb "Readers & Magnifiers" catalog, p. 4, Magnifying Glass, top center ©Sep. 1965.

Primary Examiner—Susan J. Lucas

Assistant Examiner—C. E. Heflin

Attorney, Agent, or Firm—James C. Wray

[57] CLAIM

The ornamental design for a dual magnifying glass, as shown.

DESCRIPTION

FIG. 1 is a front elevational view of a dual magnifying glass showing my new design;

FIG. 2 is a side elevational view thereof;

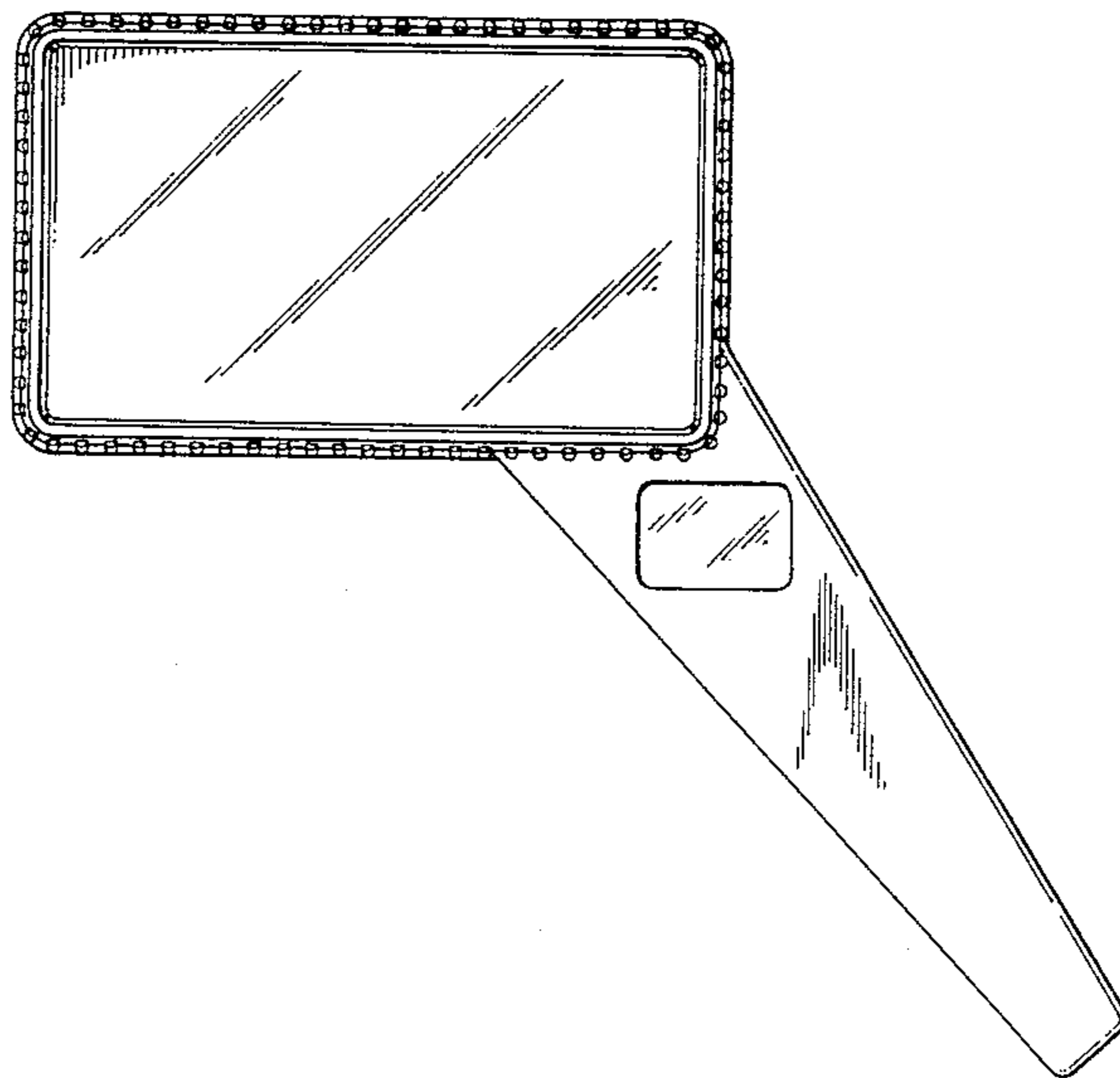
FIG. 3 is a top plan view thereof;

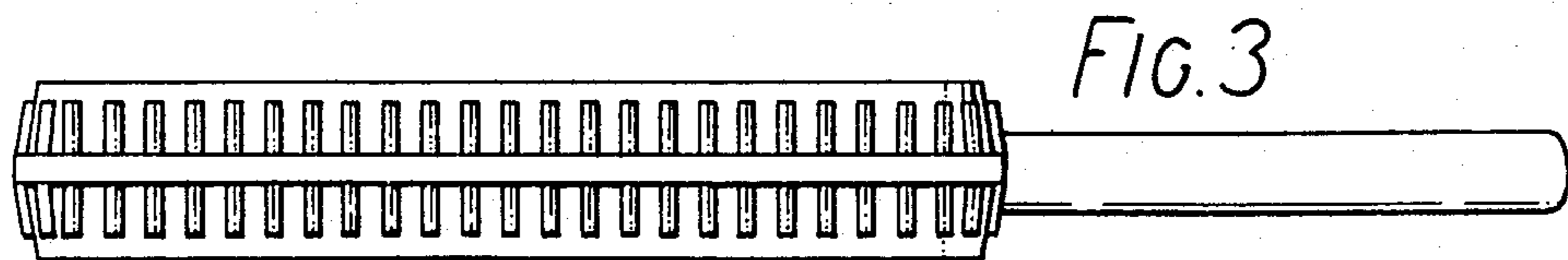
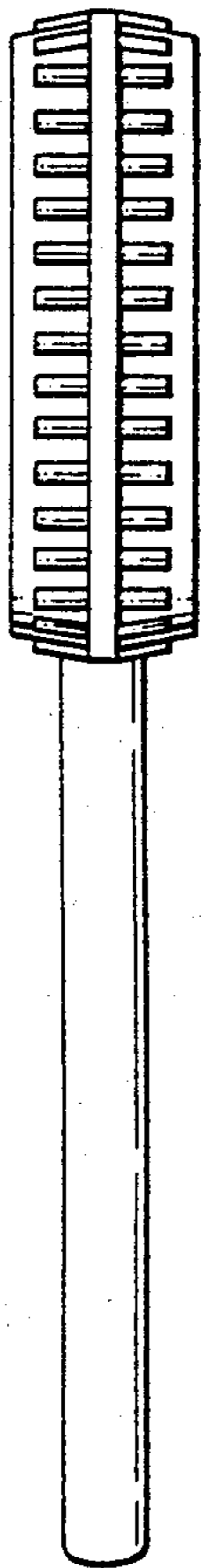
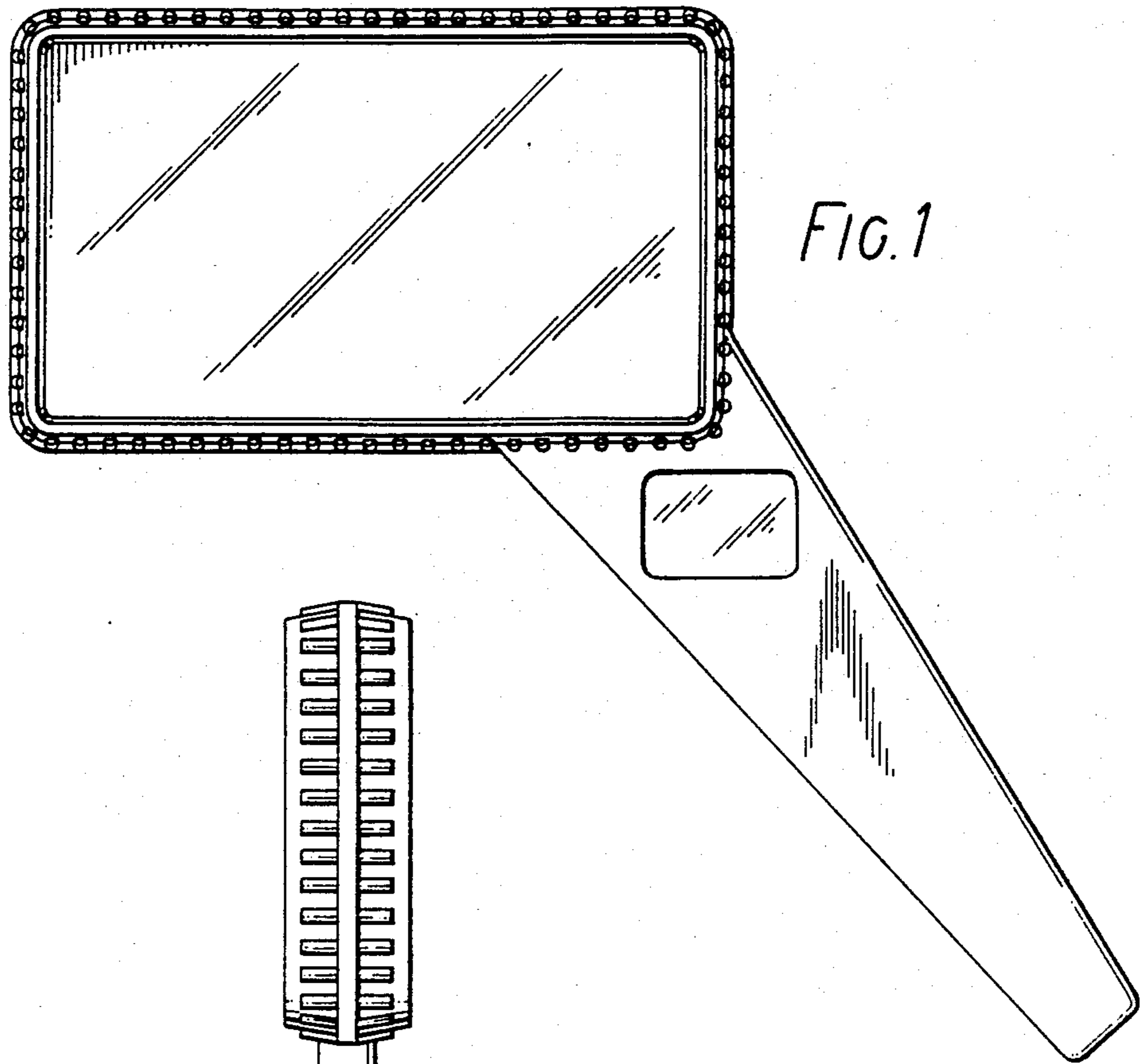
FIG. 4 is a rear elevational view thereof;

FIG. 5 is an opposite side elevational view thereof;

FIG. 6 is a bottom plan view thereof.

The smaller magnifying glass is recessed in the handle of the larger magnifying glass.





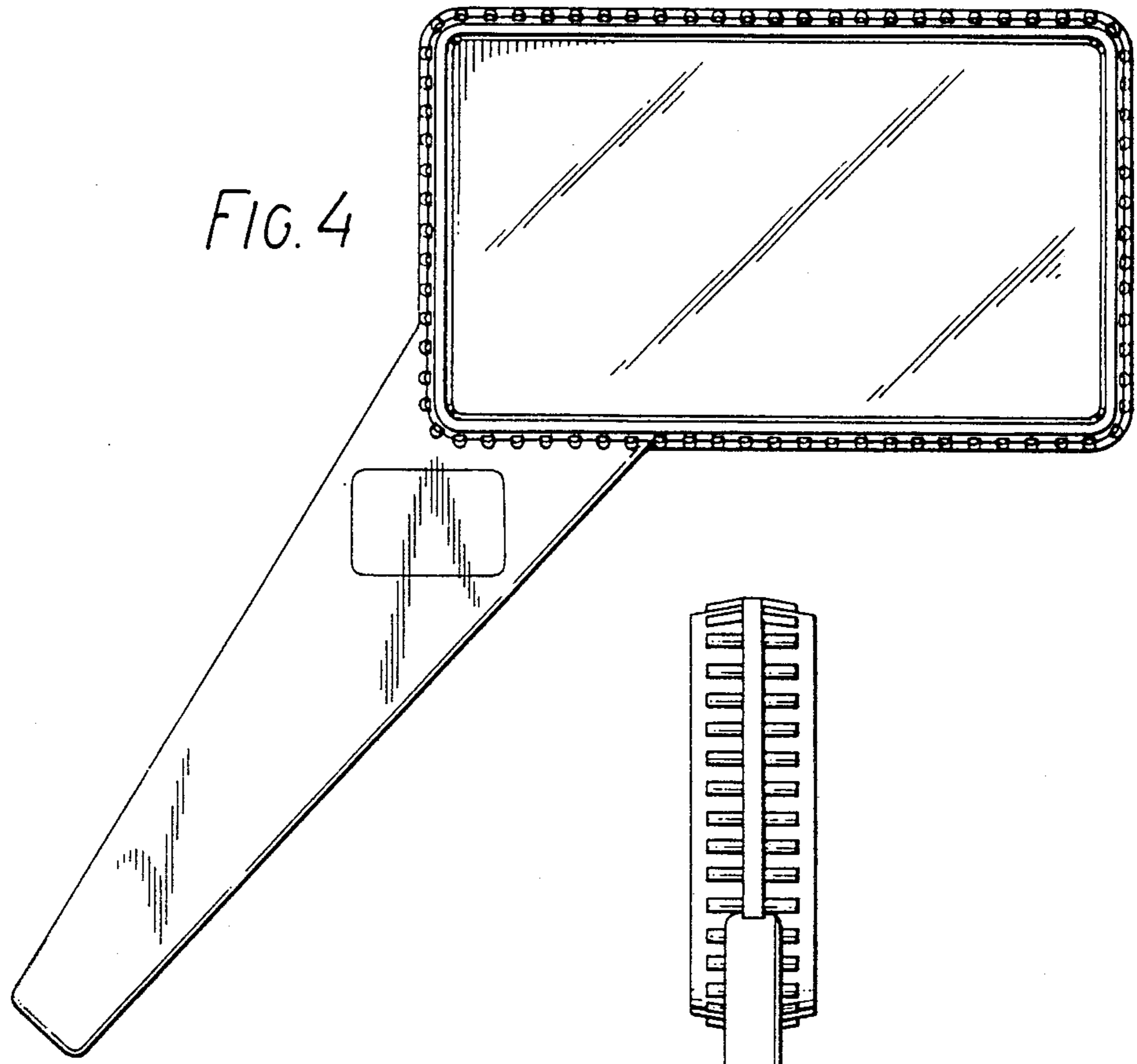


FIG. 5

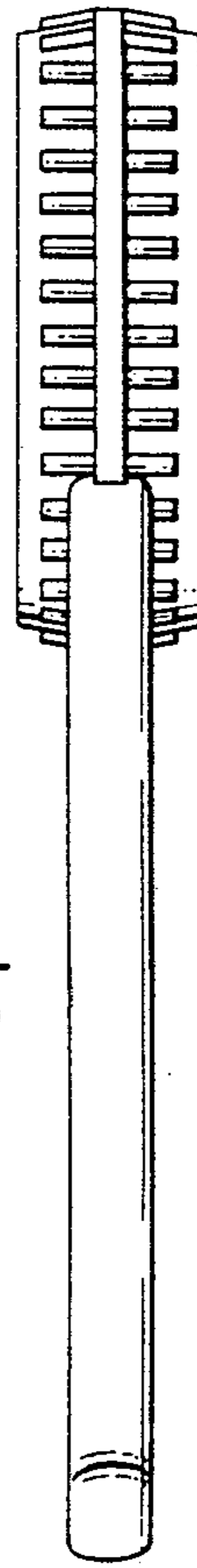


FIG. 6

