

[54] COMBINED MAST ASSEMBLY WITH YARN TENSION AND CUTTER GATE AND THREADING HOOK UNITS FOR CREELS

[76] Inventor: Marlin Van Wilson, Rte. 1, Box 449, Barboursville, Va. 22923

[**] Term: 14 Years

[21] Appl. No.: 683,132

[22] Filed: Dec. 18, 1984

[52] U.S. Cl. D15/78

[58] Field of Search D15/77, 78; 242/131, 242/131.1; 57/279, 280

[56] References Cited

U.S. PATENT DOCUMENTS

D. 200,228	2/1965	Conway	D15/78
D. 203,798	2/1966	Conway	D15/78
2,527,700	10/1950	Bryant	242/131.1
3,873,043	3/1975	Wildi et al.	242/131.1
4,202,511	5/1980	Koslowski	242/131 X
4,566,651	1/1986	Küpper	242/131 X

Primary Examiner—Bernard Ansher

Assistant Examiner—Linda Titolo
Attorney, Agent, or Firm—Mason, Fenwick & Lawrence

[57] CLAIM

The ornamental design for a combined mast assembly with yarn tension and cutter gate and threading hook units for creels, substantially as shown and described.

DESCRIPTION

FIG. 1 is a top front and right side perspective view of a combined mast assembly with yarn tension and cutter gate and threading hook units for creels, showing my new design;

FIG. 2 is a top front left side perspective view thereof; FIG. 3 is a bottom rear and right side perspective view thereof;

FIG. 4 is a top plan view thereof;

FIG. 5 is a bottom plan view thereof;

FIG. 6 is a left side elevational view of the top fragmentary portion of that shown in FIG. 1;

FIG. 7 is a front elevational view thereof;

FIG. 8 is a right side elevational view thereof; and

FIG. 9 is a rear elevational view thereof.

FIGS. 1-3 are fragmentarily shown and broken away to show indeterminate length.

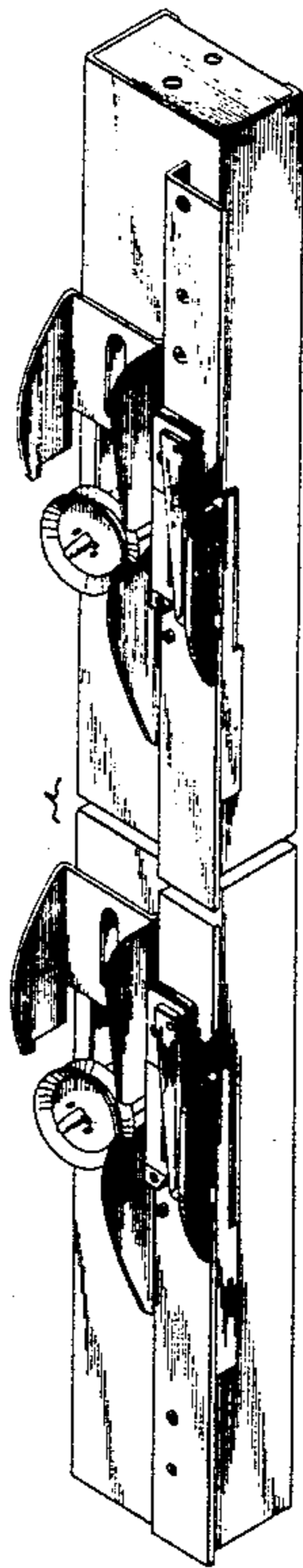


FIG. 1

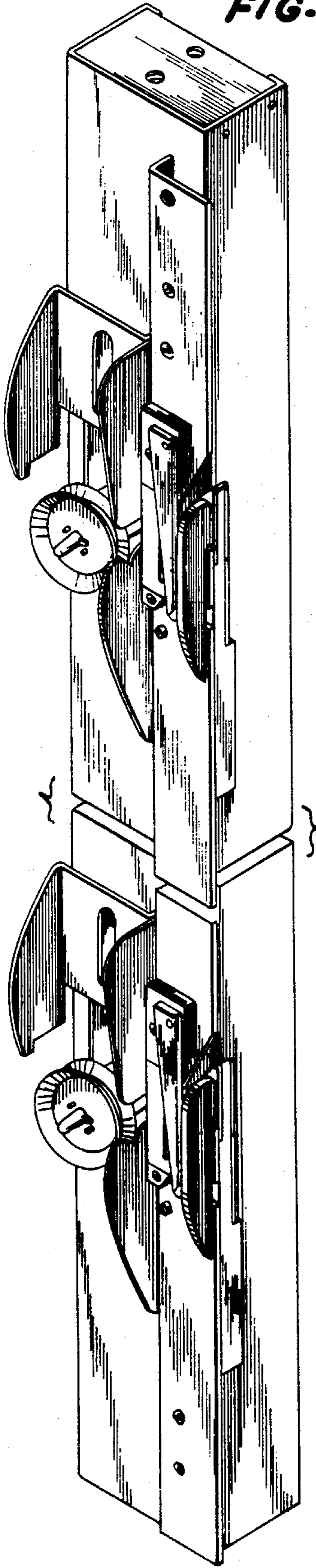
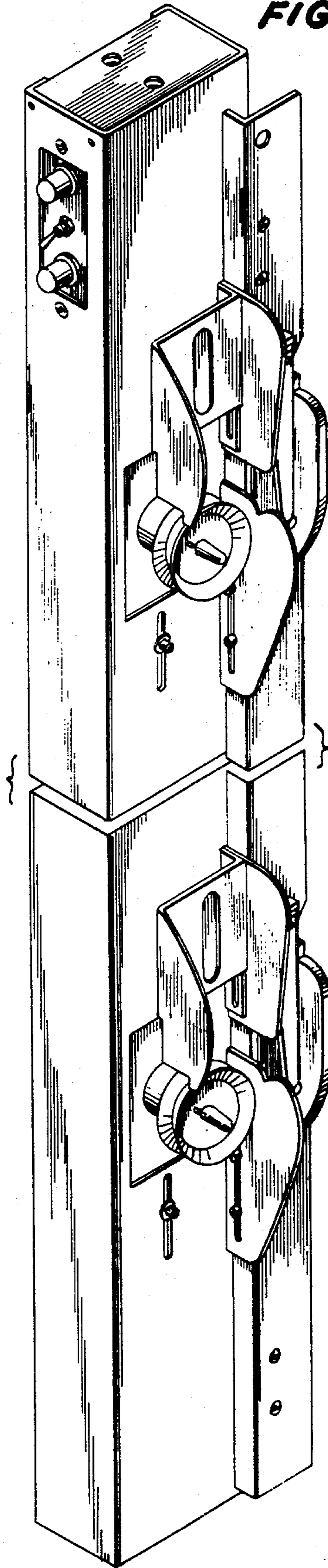


FIG. 2



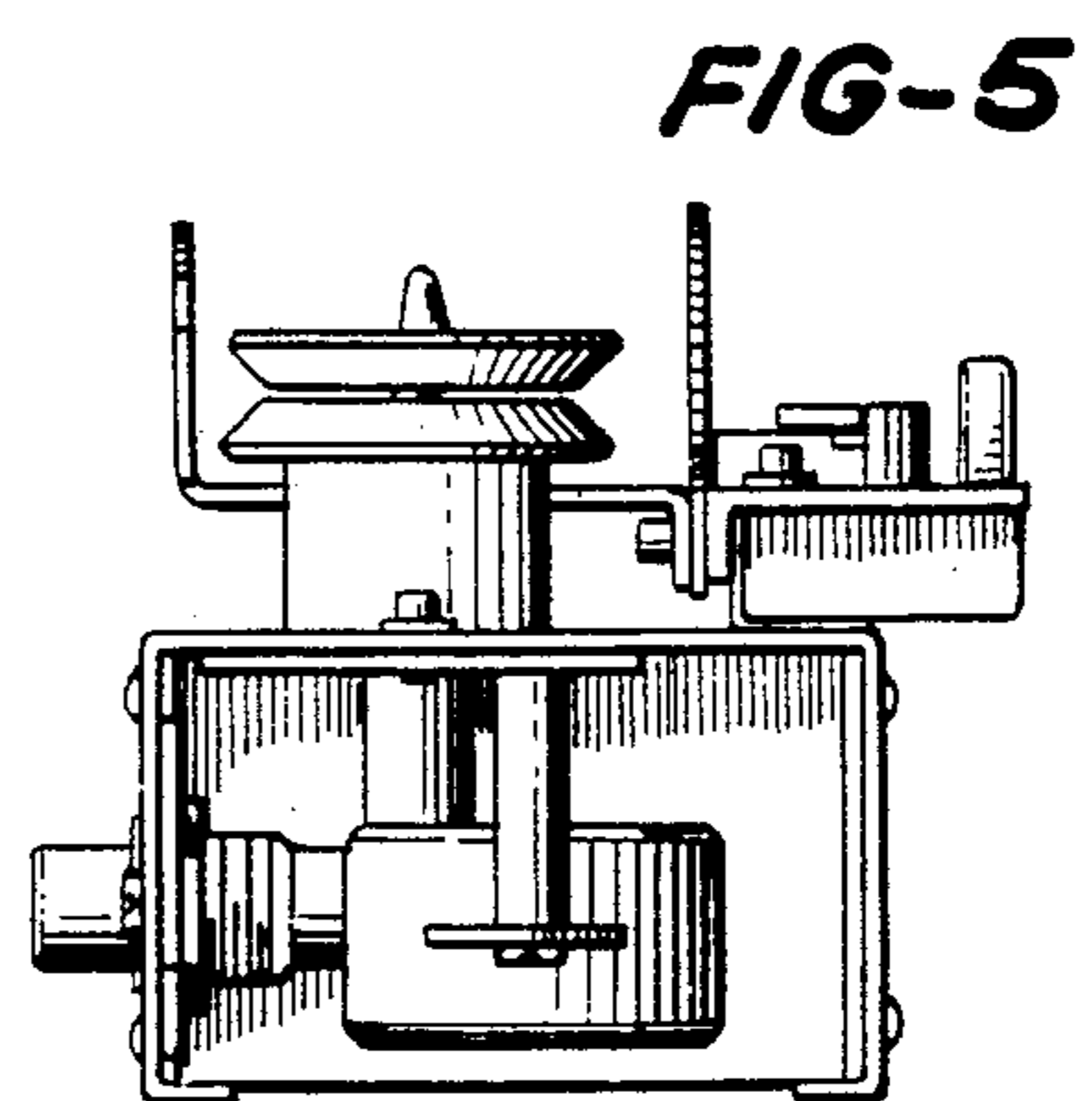
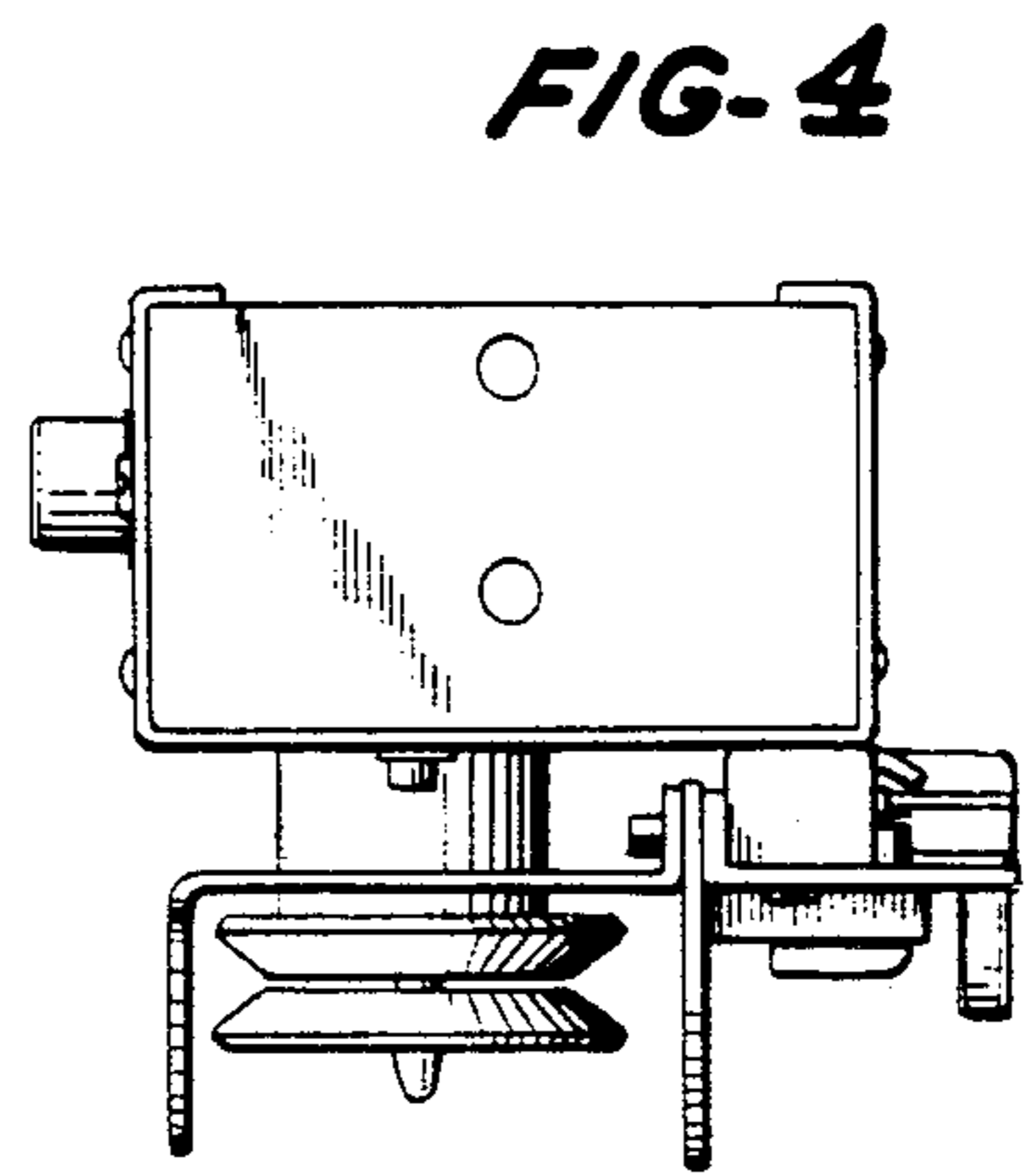
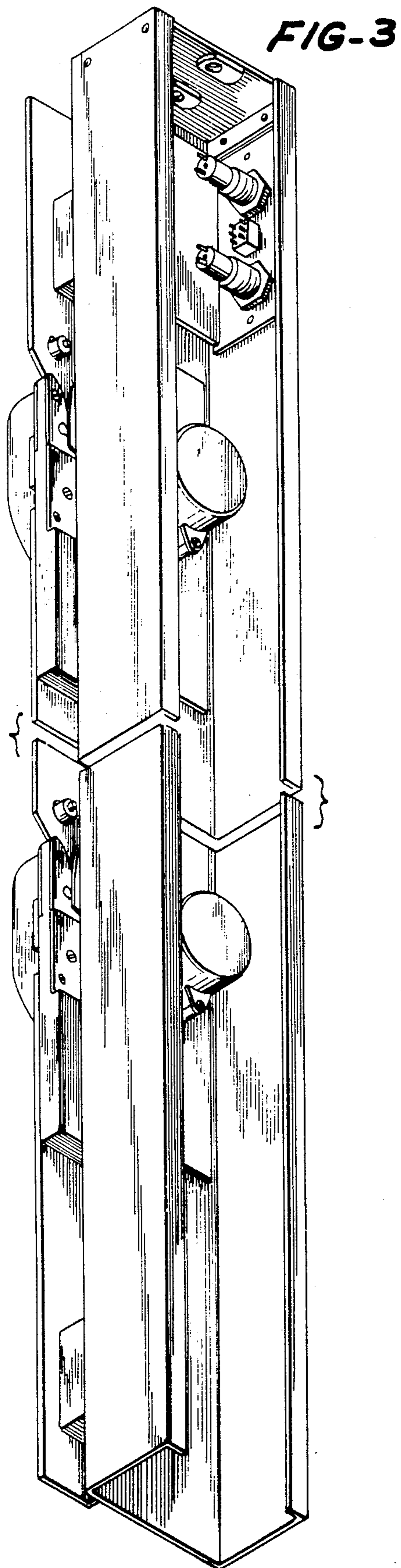


FIG-9

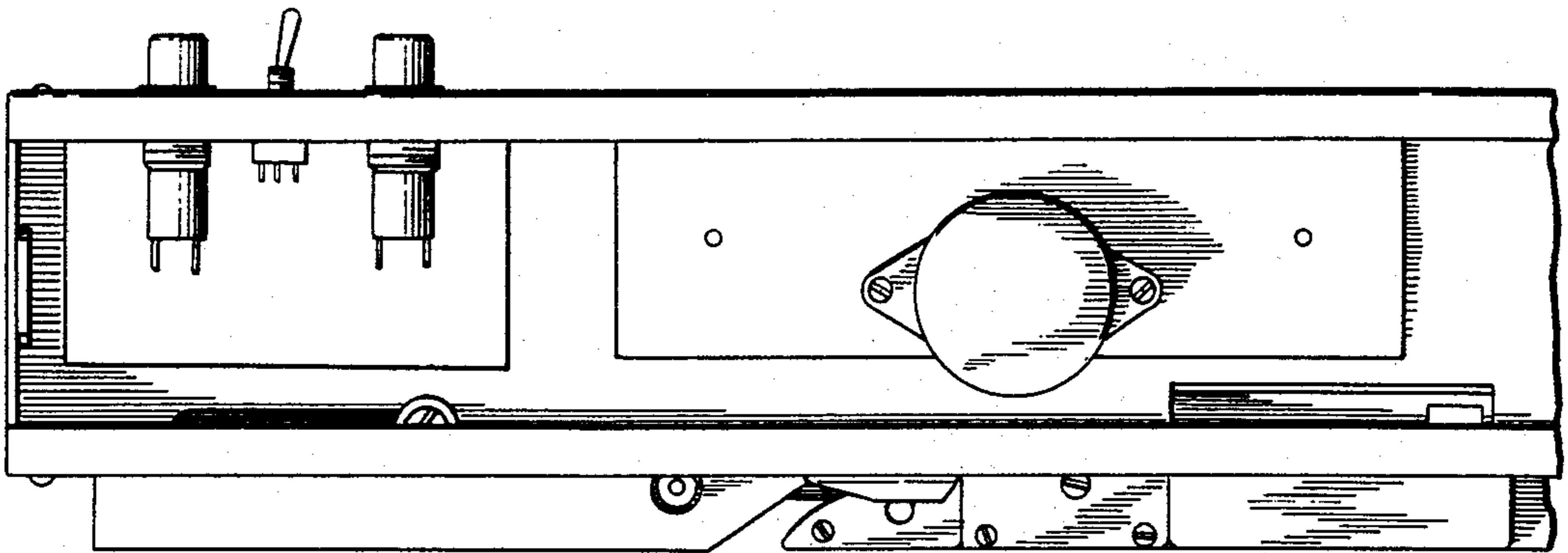


FIG-8

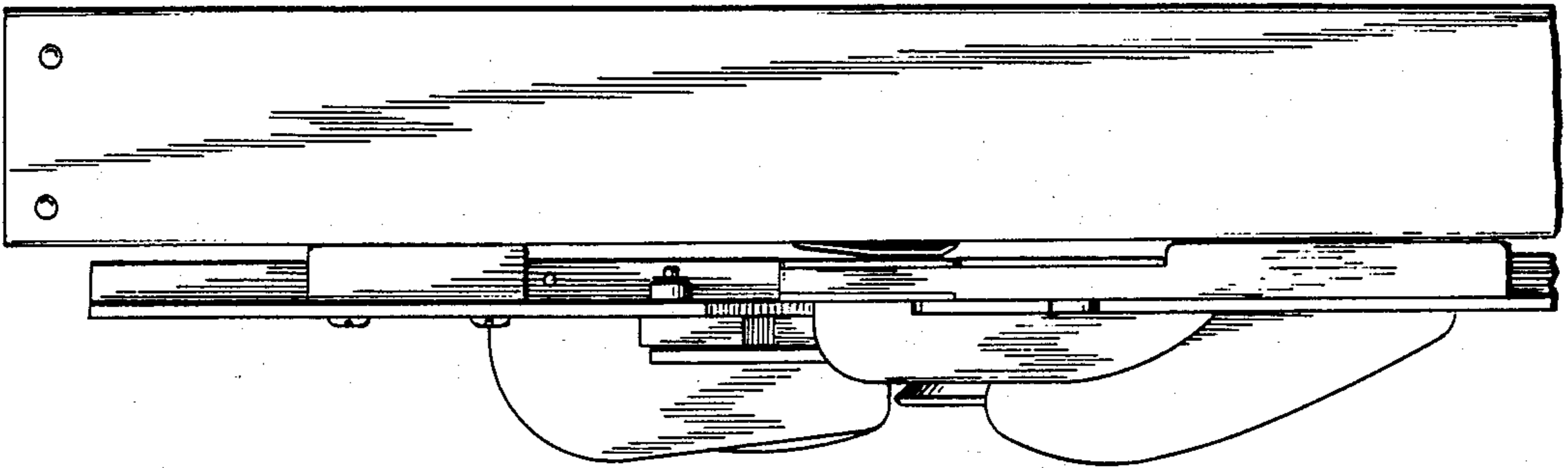


FIG-7

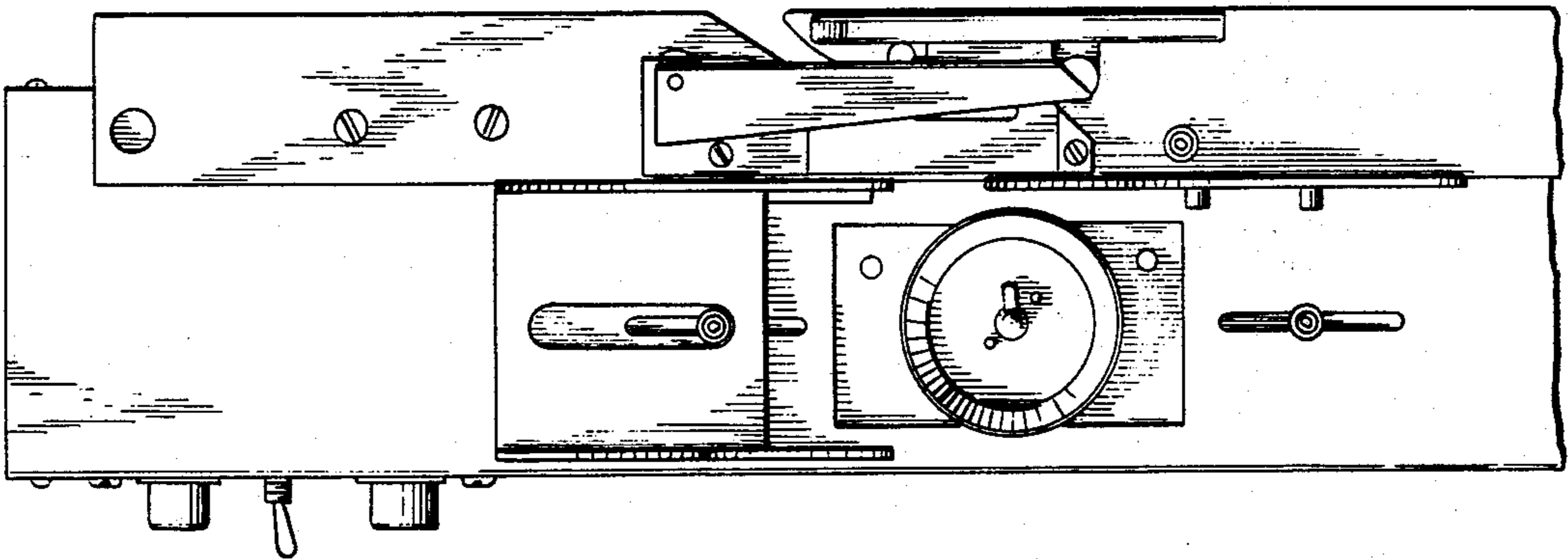


FIG-6

