

[54] TELEPHONE SET

[76] Inventor: Richard Wu, 12/F., No.126, Nan-Kin E. Rd., Sec.4, Taipei, Taiwan

[**] Term: 14 Years

[21] Appl. No.: 758,995

[22] Filed: Jul. 25, 1985

[52] U.S. Cl. D14/53; D14/62; D14/57; D14/58

[58] Field of Search D14/53, 58, 57, 63; 179/100 R, 179, 100 D, 100 L, 100 C, 101, 103

[56] References Cited

U.S. PATENT DOCUMENTS

D. 279,895	7/1985	Menei	D14/53
D. 280,217	8/1985	Tomozawa et al.	D18/7 X
D. 283,711	5/1986	Deura et al.	D18/7 X
D. 286,284	10/1986	Sasaki et al.	D14/53
D. 286,875	11/1986	Cameron	D14/57 X
D. 287,363	12/1986	Klaiber et al.	D14/57 X
D. 287,491	12/1986	Brown et al.	D14/53

OTHER PUBLICATIONS

Barphone S. A. 2 page brochure, Touchtone Model C753-63442.

B. A. Pargh Co. Inc., Cat. ©1983; at p. 32: Panasonic Model KX52010.

B. A. Pargh Co. Inc., Cat. ©1985; Uniden Models at p. 256: EX1050 and TMSIA.

Primary Examiner—Wallace R. Burke
Assistant Examiner—Horace B. Fay
Attorney, Agent, or Firm—Armstrong, Nikaido, Marmelstein & Kubovcik

[57] CLAIM

The ornamental design for a telephone set, as shown and described.

DESCRIPTION

FIG. 1 is a front, top and right side perspective view of a telephone set in assembled position showing my new design;

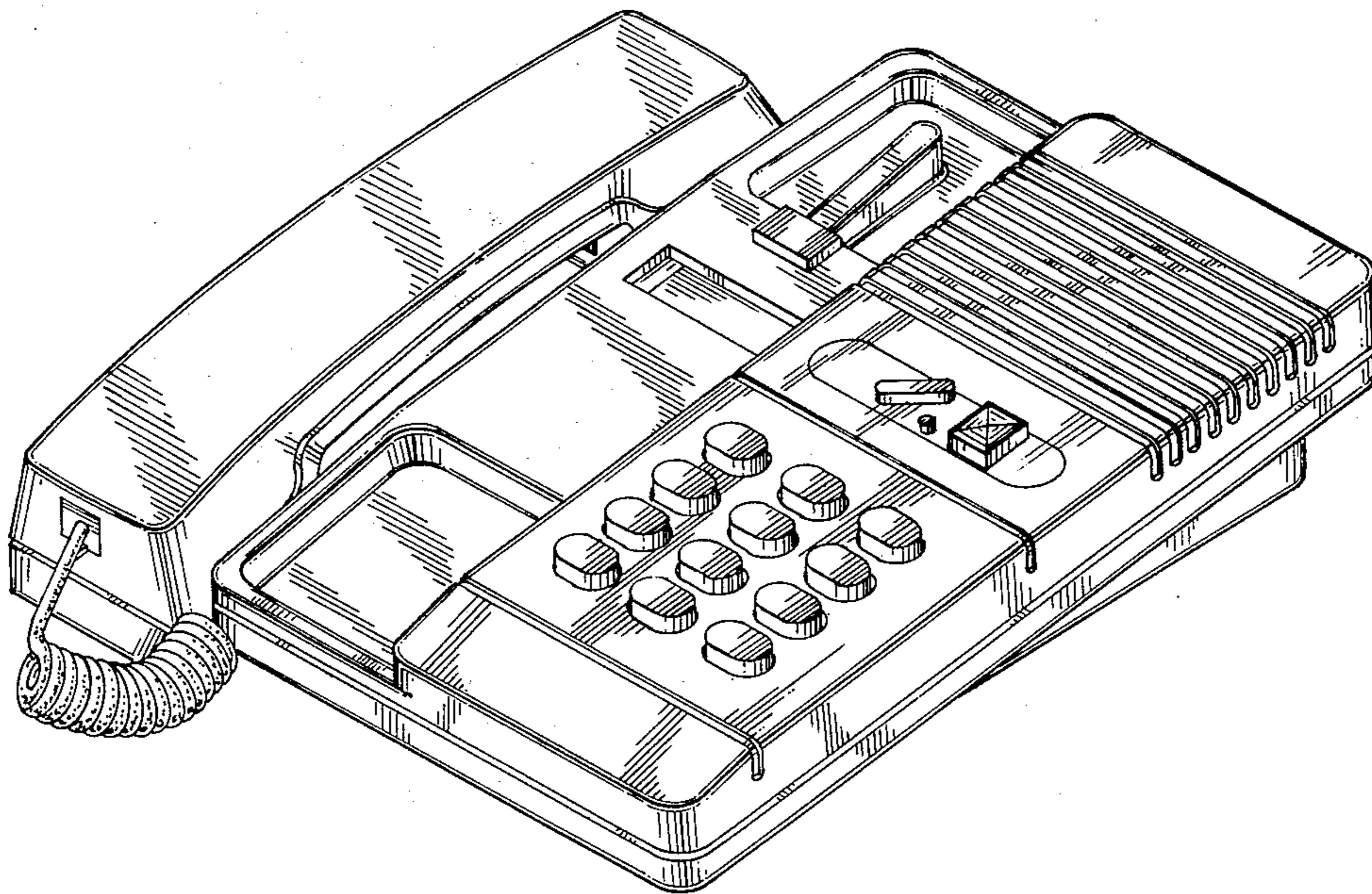
FIGS. 2 and 3 are respectively top and bottom plan views thereof;

FIGS. 4 and 5 are respectively left and right side elevational views thereof;

FIGS. 6 and 7 are respectively front and rear elevational views thereof; and

FIG. 8 is a front, top and right side perspective view of the stand, and a front, top and partial view of the hand-set placed alongside the stand.

The cord is shown in abbreviated form in FIGS. 2, 4, 5, 6 and 7 for facility of illustration.



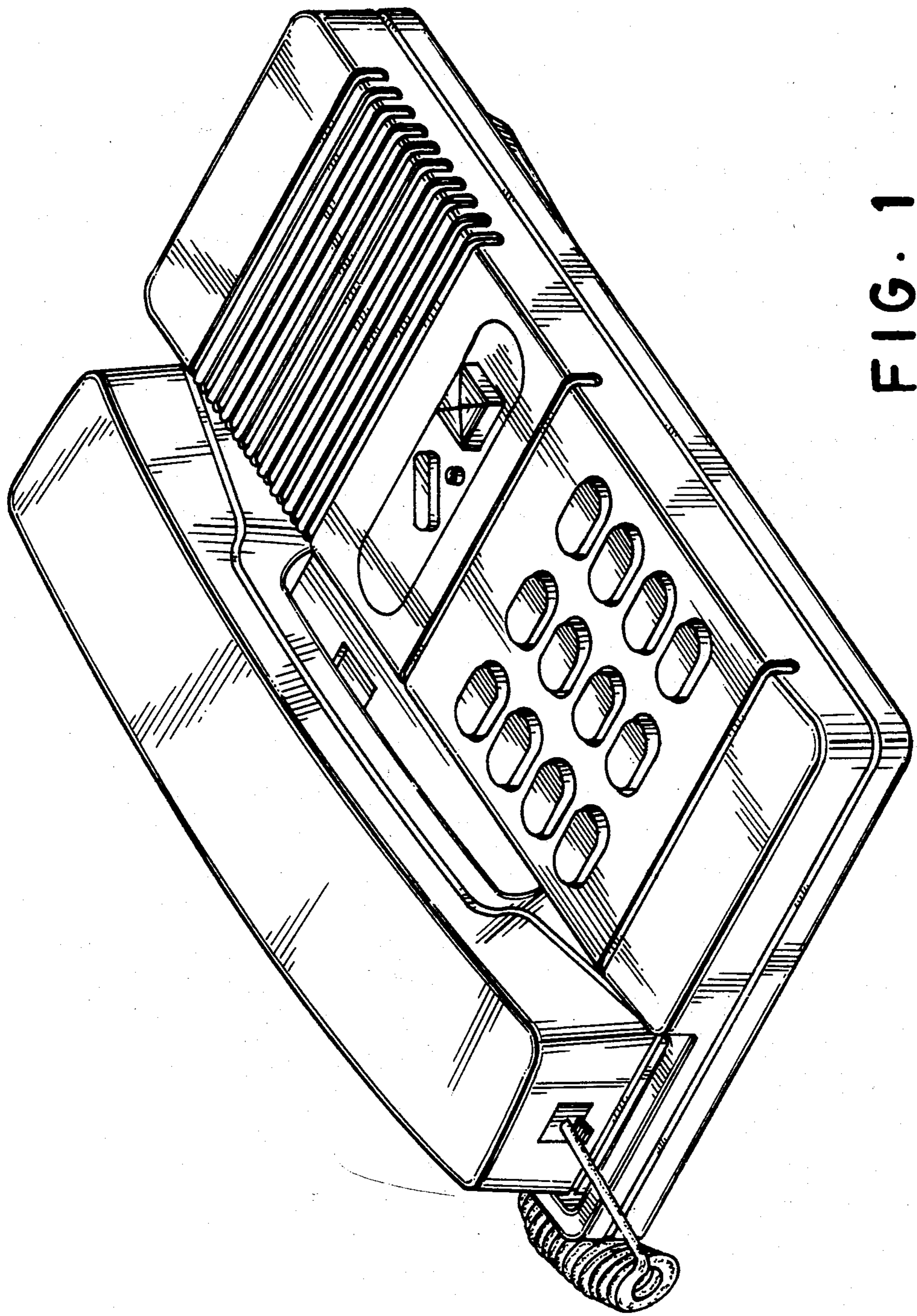


FIG. 1

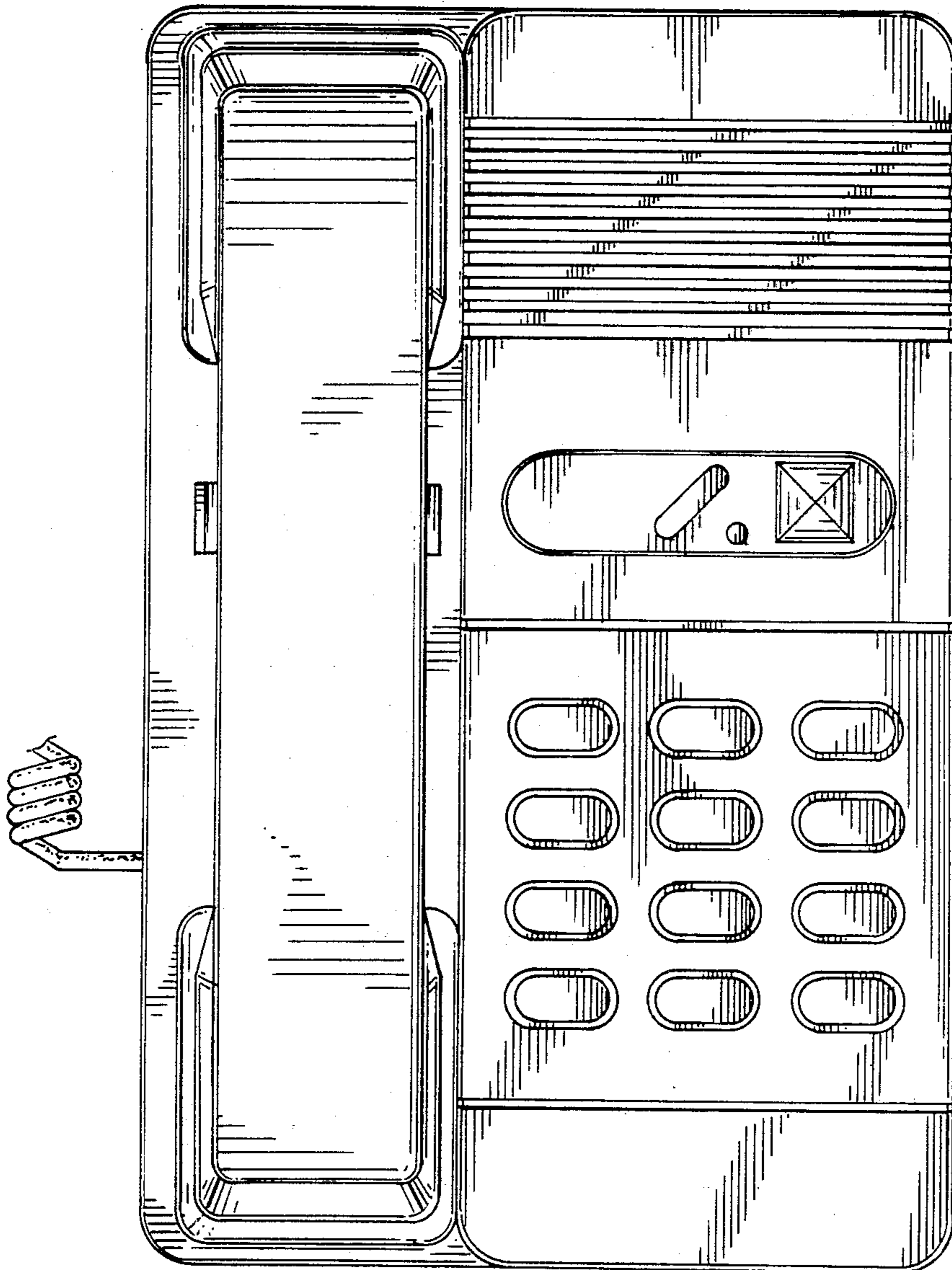


FIG. 2

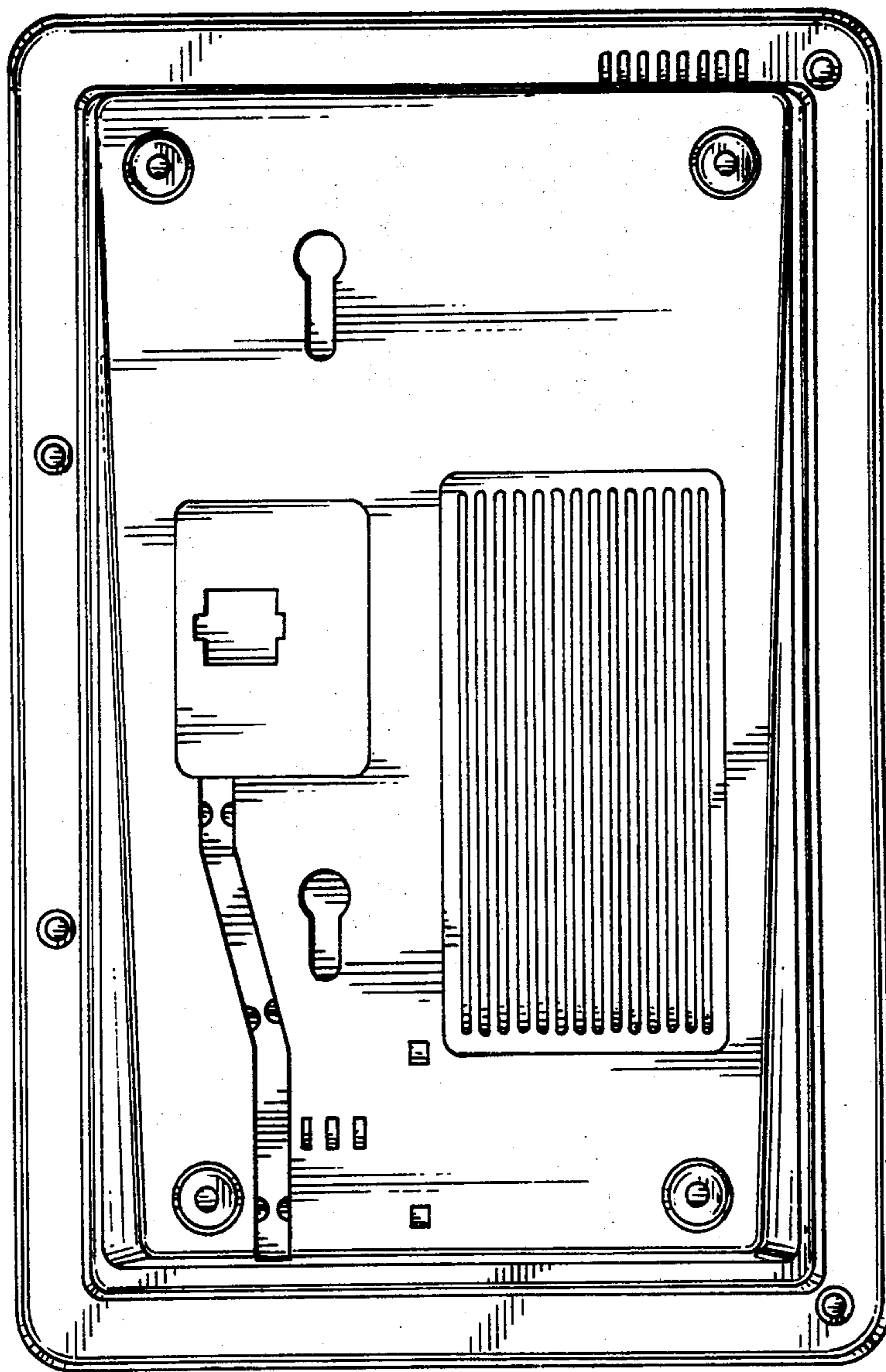


FIG. 3

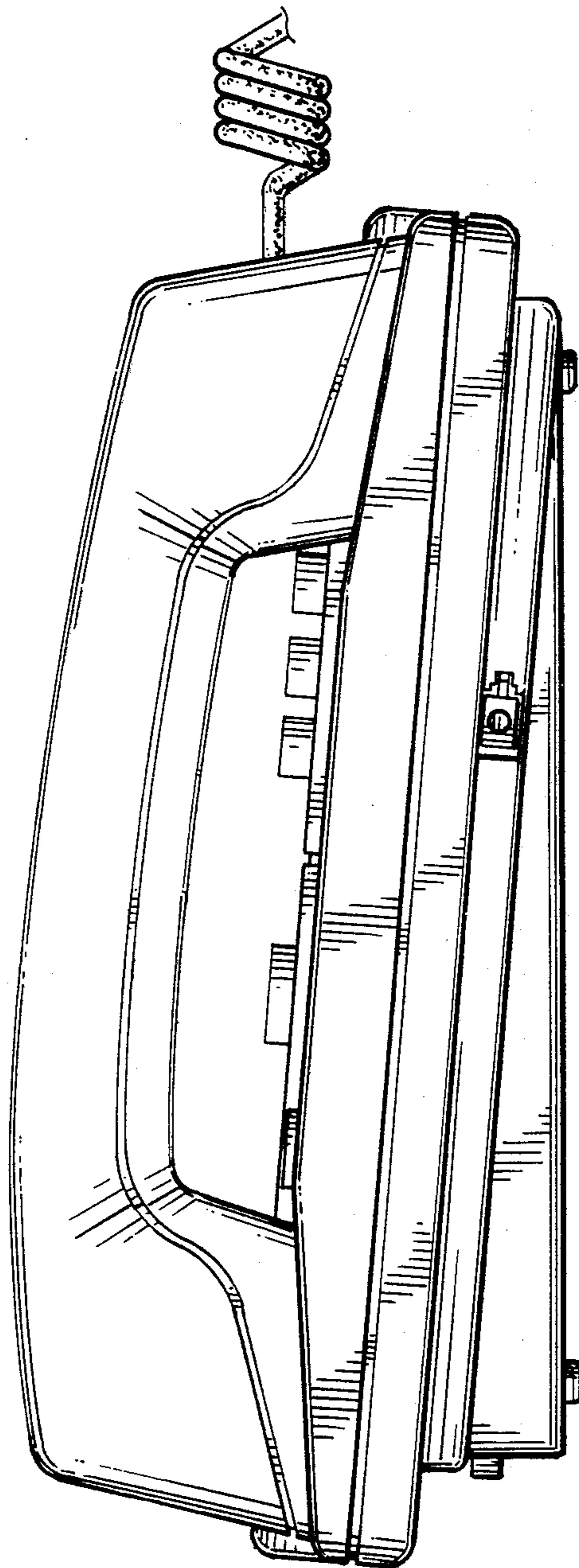


FIG. 4

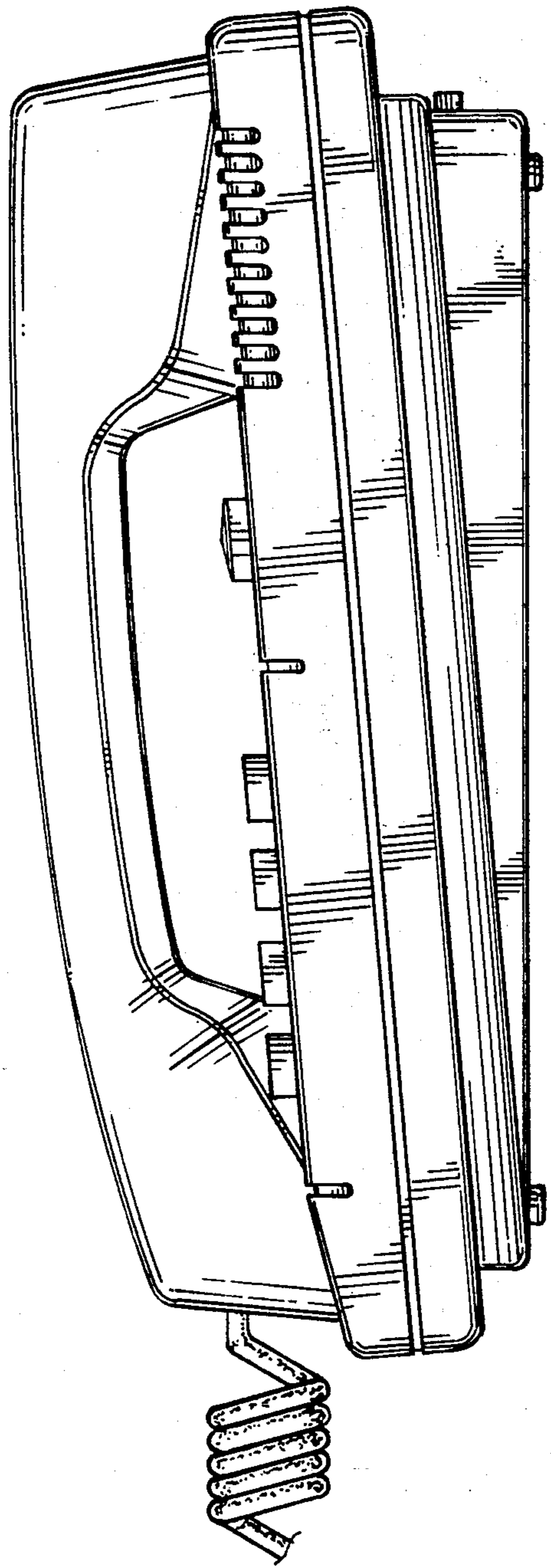


FIG. 5

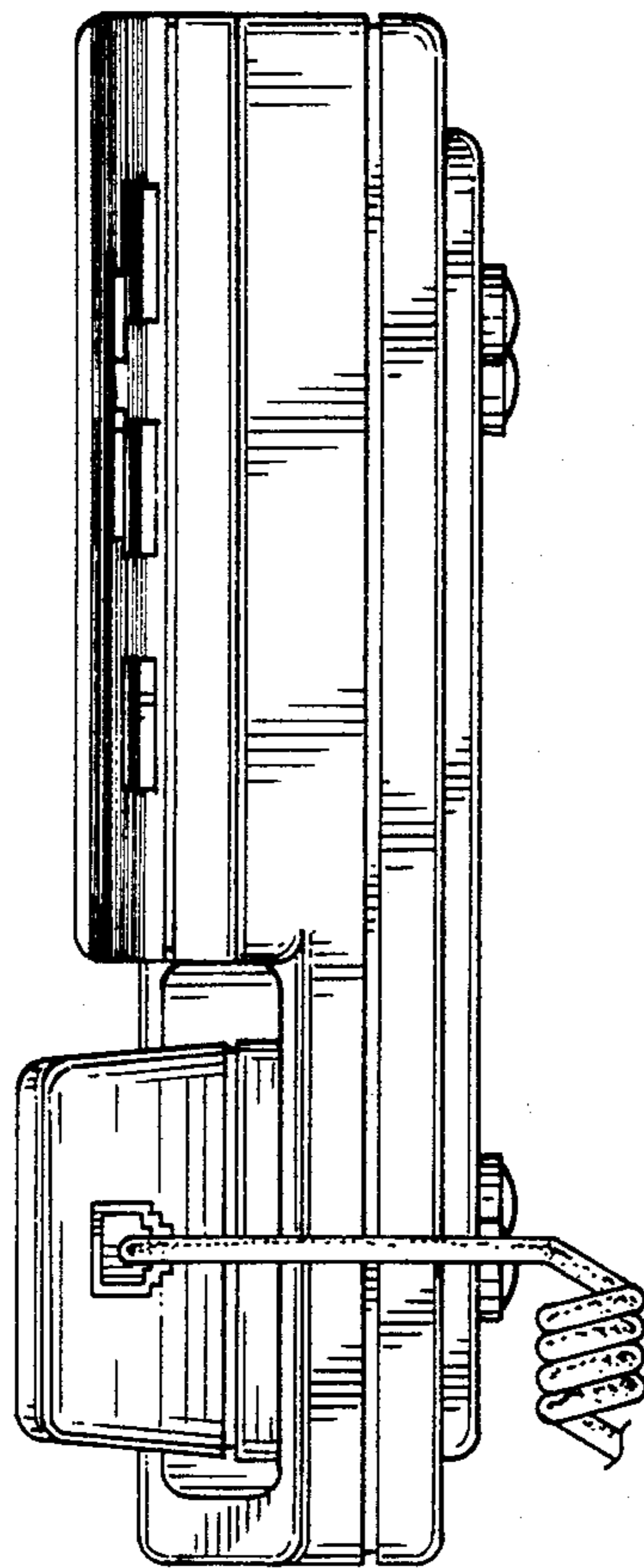


FIG. 6

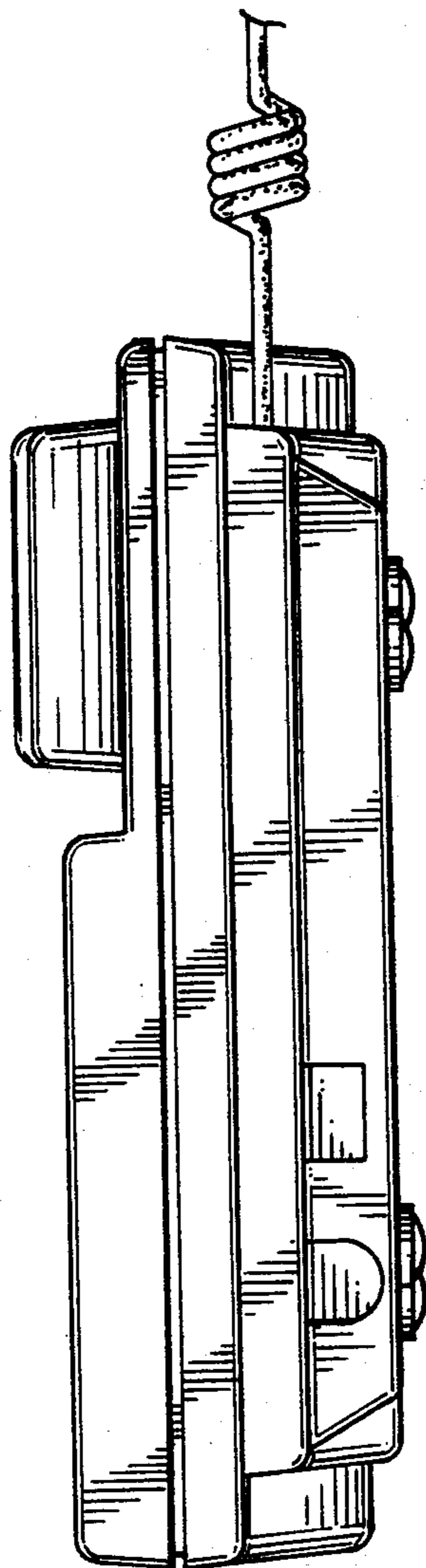


FIG. 7

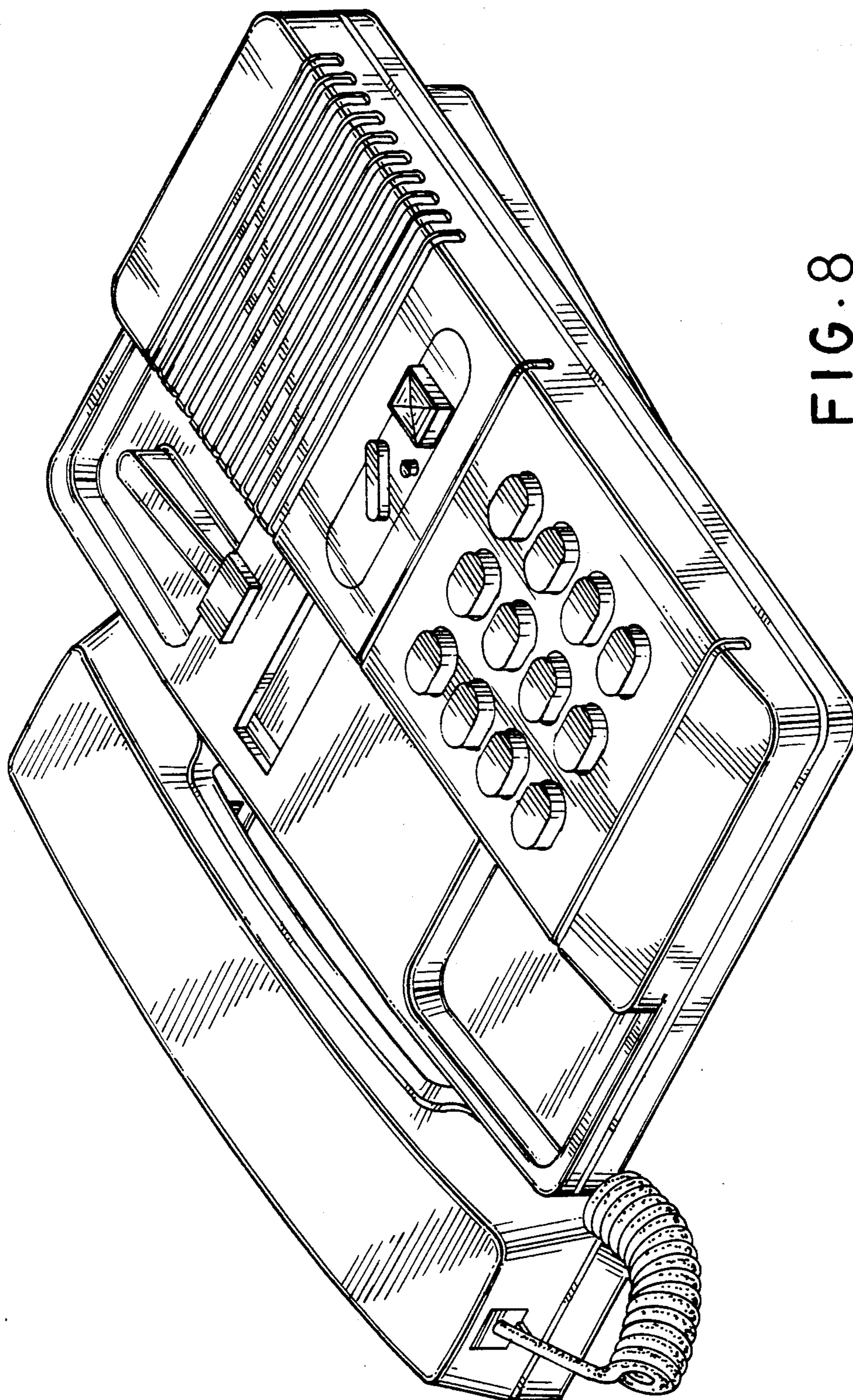


FIG. 8