

[54] POWER GENERATOR

[75] Inventor: Tadahiro Yaguchi, Niiza, Japan

[73] Assignee: Honda Giken Kogyo Kabushiki Kaisha, Tokyo, Japan

[\*\*] Term: 14 Years

[21] Appl. No.: 698,597

[22] Filed: Feb. 5, 1985

[30] Foreign Application Priority Data

Aug. 10, 1984 [JP] Japan ..... 59-34145
[52] U.S. Cl. .... D13/2
[58] Field of Search ..... D13/1-3; 320/2-5; 307/150; 290/1 A; 322/1; 310/50, 113

[56] References Cited

U.S. PATENT DOCUMENTS

- D. 275,946 10/1984 Ekuan ..... D13/1
D. 276,515 11/1984 Yaguchi ..... D13/1
D. 281,492 11/1985 Yaguchi ..... D13/2
D. 282,252 1/1986 Yamaguchi et al. .... D13/2
4,331,883 5/1982 Vitaloni ..... 307/150
4,595,841 6/1986 Yaguchi ..... D13/1
4,608,946 9/1986 Tanaka et al. .... 290/1 A

FOREIGN PATENT DOCUMENTS

197416 11/1983 Japan ..... 290/1 A

Primary Examiner—Wallace R. Burke
Assistant Examiner—Ruth E. Takemoto
Attorney, Agent, or Firm—Wenderoth, Lind & Ponack

[57] CLAIM

The ornamental design for a power generator, substantially as shown.

DESCRIPTION

FIG. 1 is a front elevational view of a power generator showing my new design, FIG. 2 is a rear elevational view thereof, FIG. 3 is a side elevational view thereof, FIG. 4 is a side elevational view thereof of the opposite side of FIG. 3, FIG. 5 is a top plan view thereof, FIG. 6 is a bottom plan view thereof, FIG. 7 is a perspective view thereof, FIG. 8 is a front elevational view of a second embodiment thereof, FIG. 9 is a side elevational view thereof, FIG. 10 is a side elevational view thereof of the opposite side of FIG. 9, FIG. 11 is a top plan view thereof, and FIG. 12 is a perspective view thereof. The appearance of the bottom of the second embodiment is the same as that shown in FIG. 6.

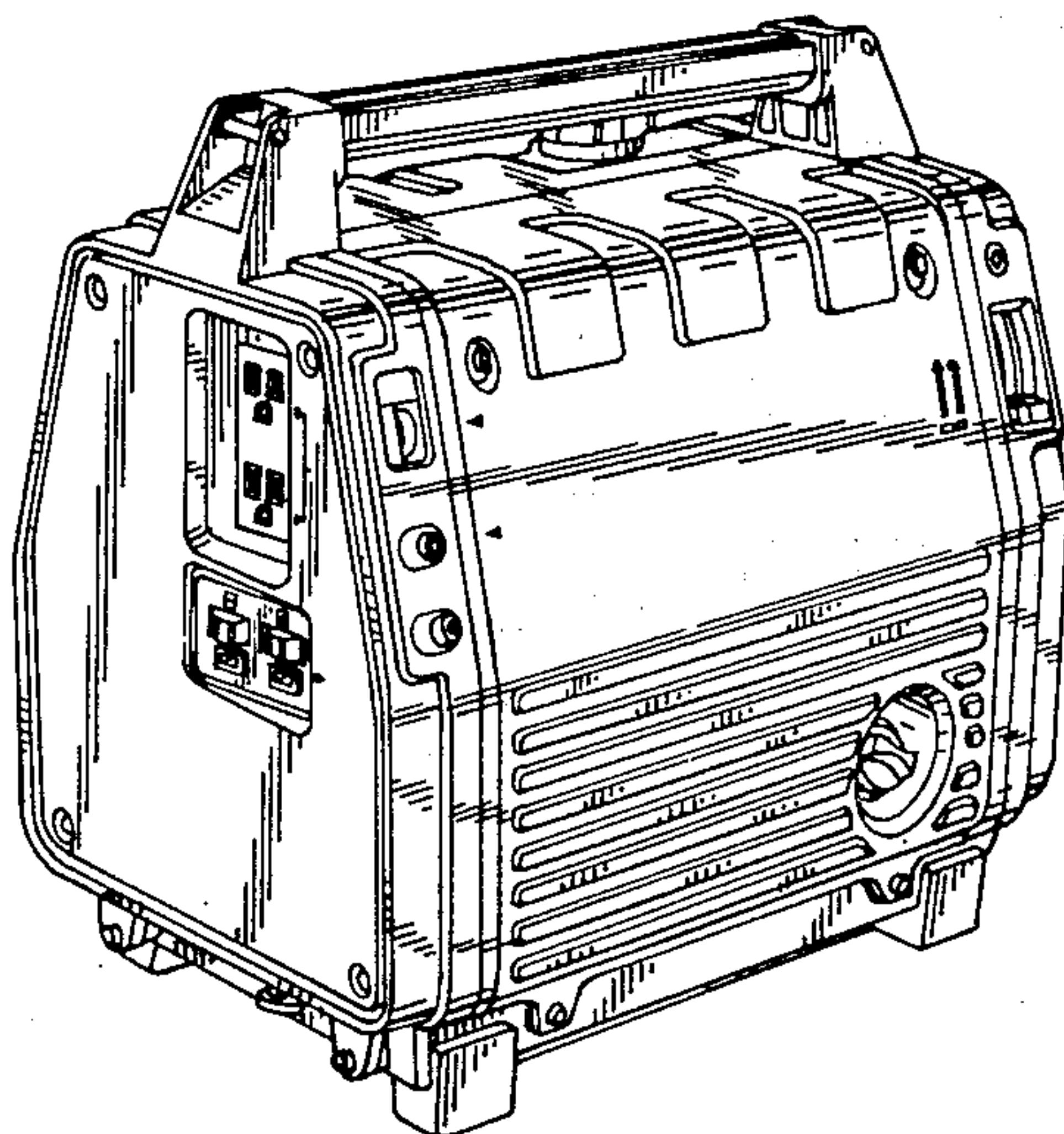


FIG. 1

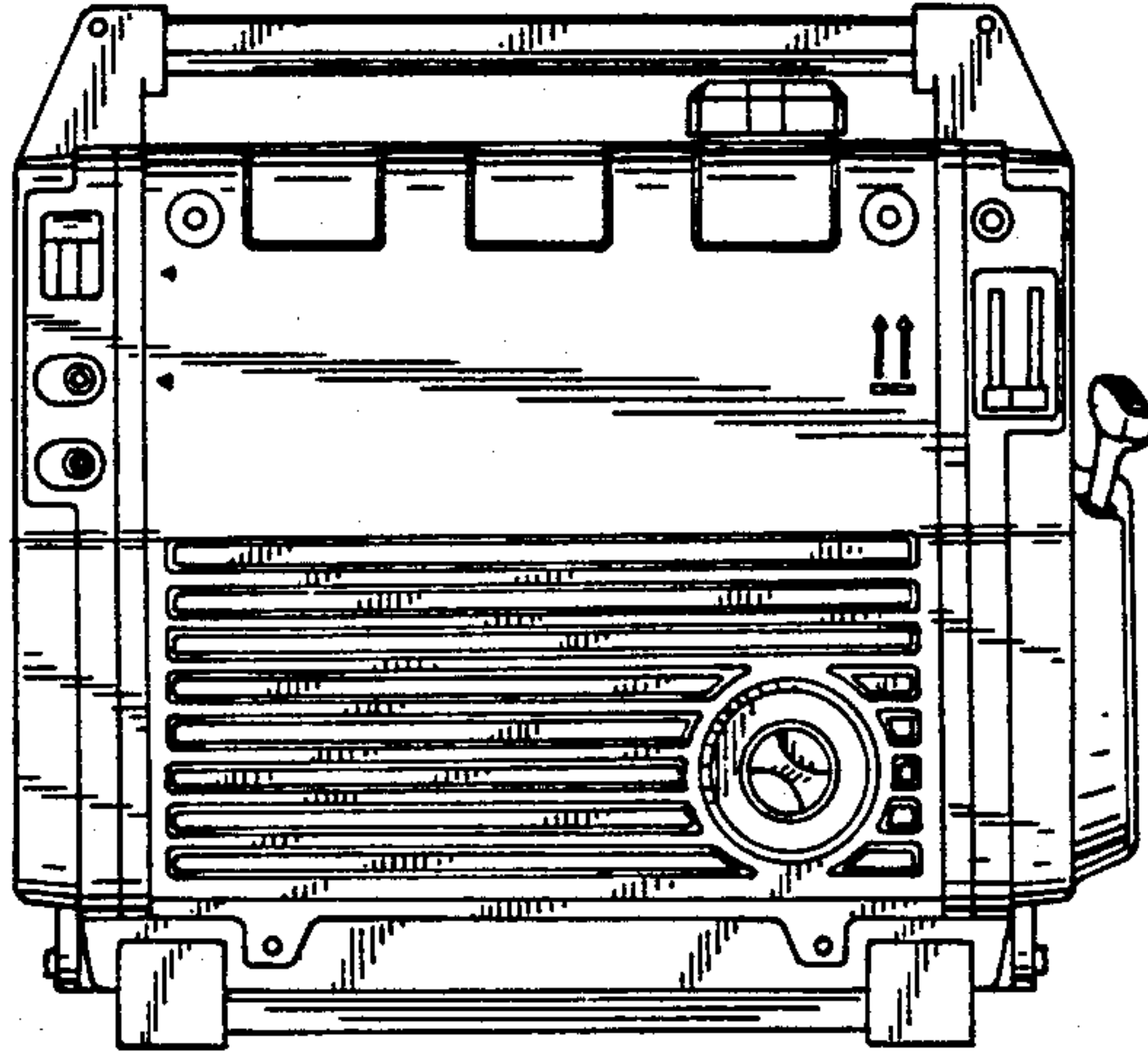


FIG. 3

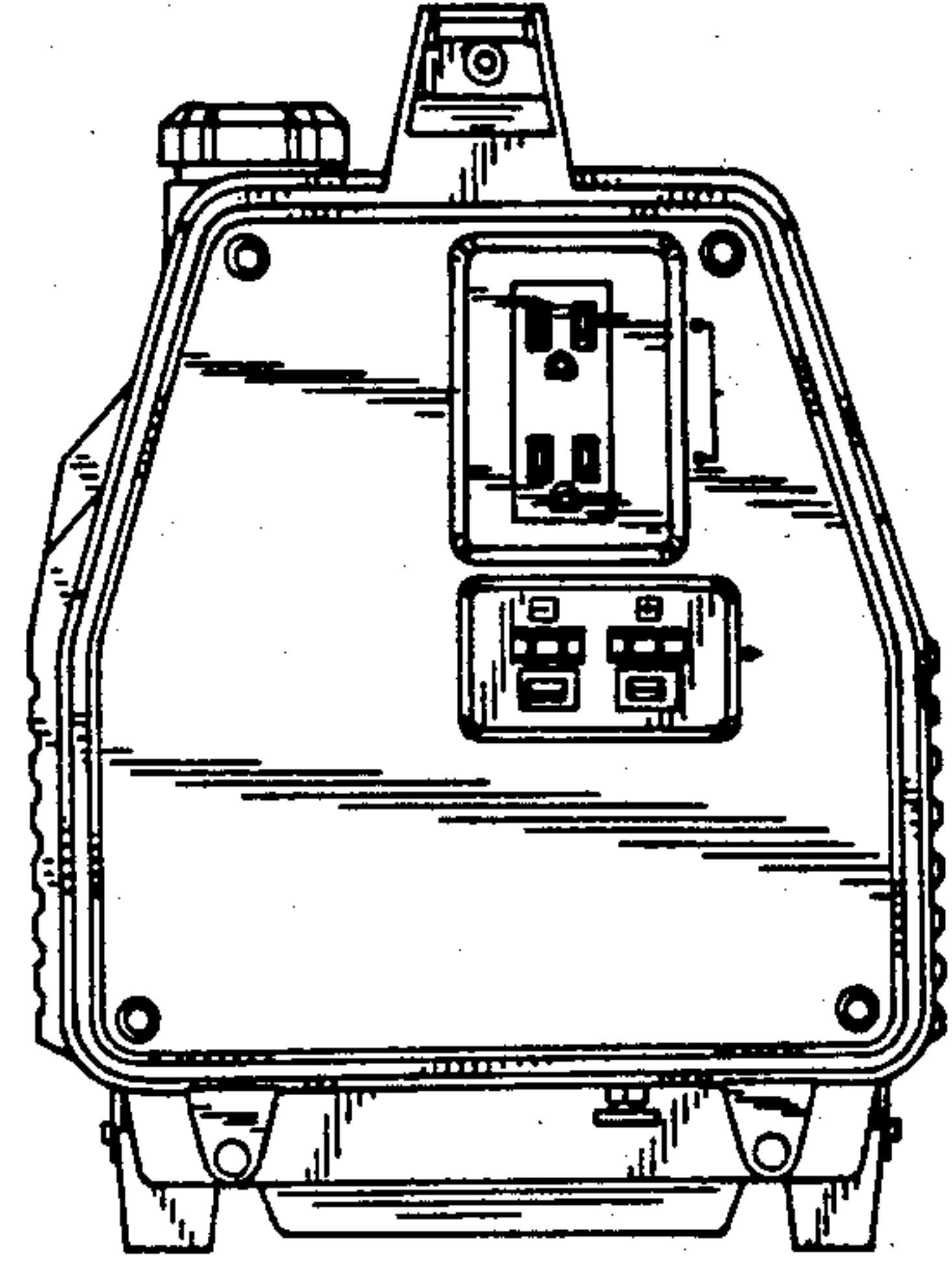


FIG. 2

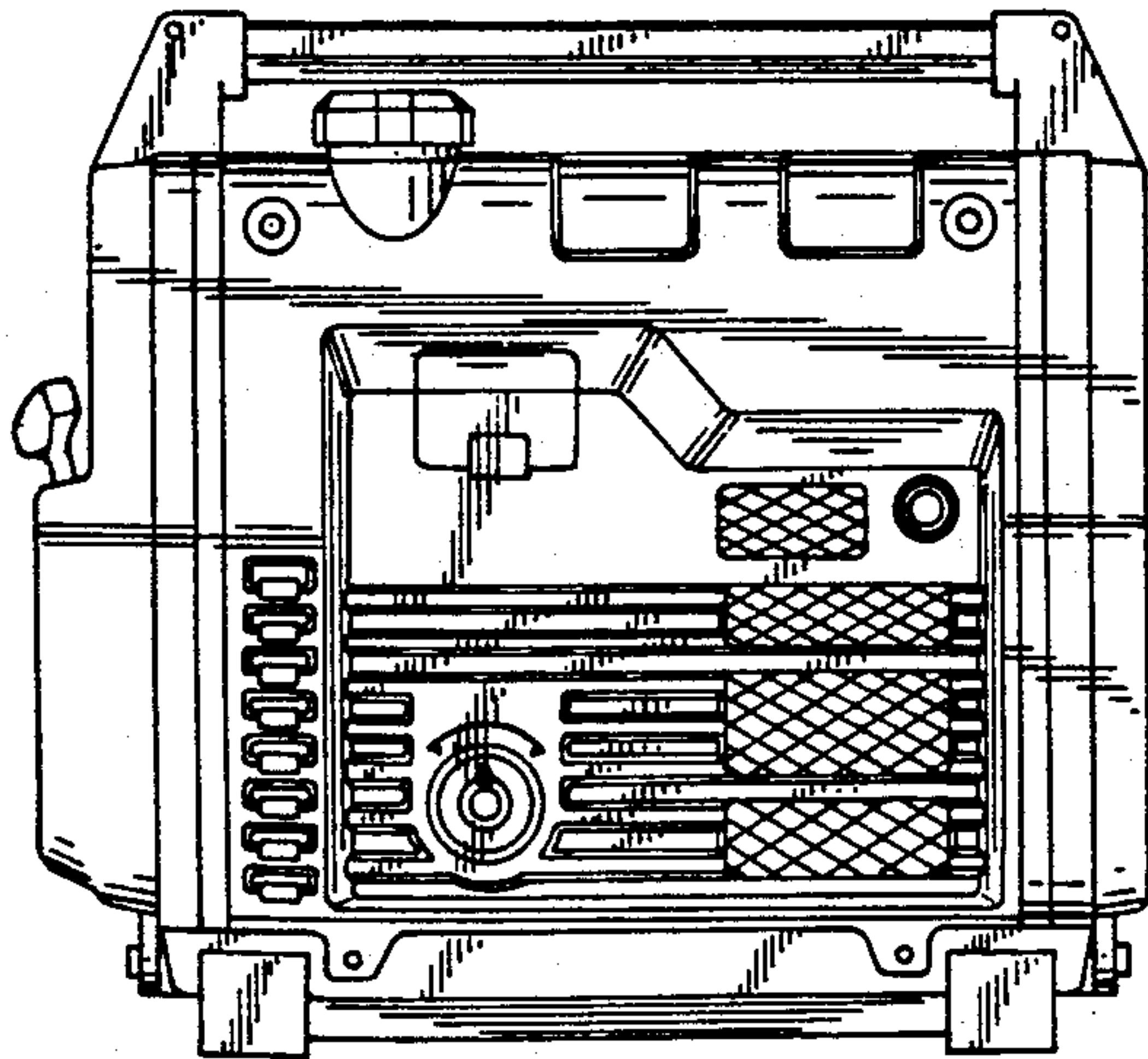


FIG. 4

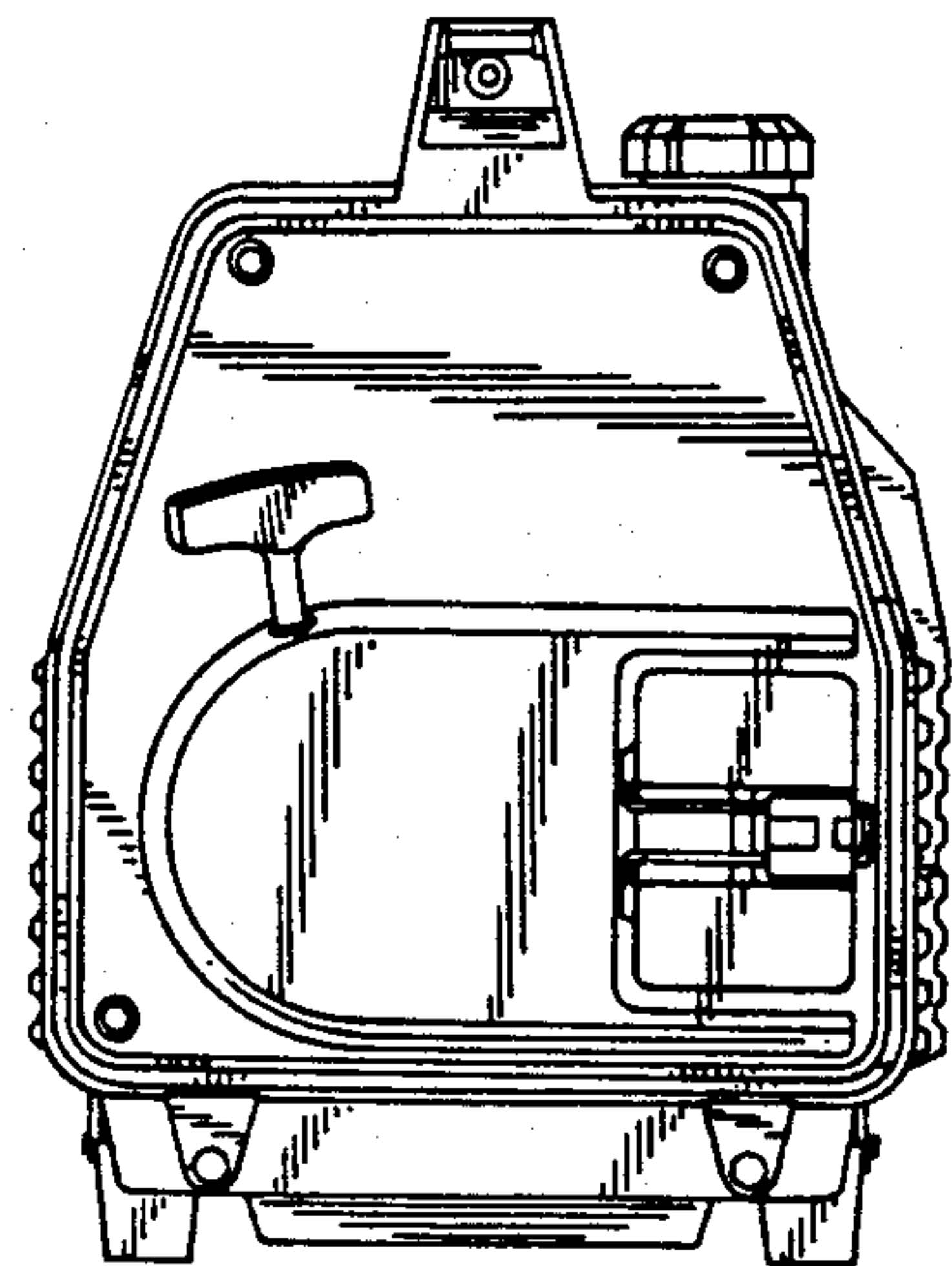


FIG. 5

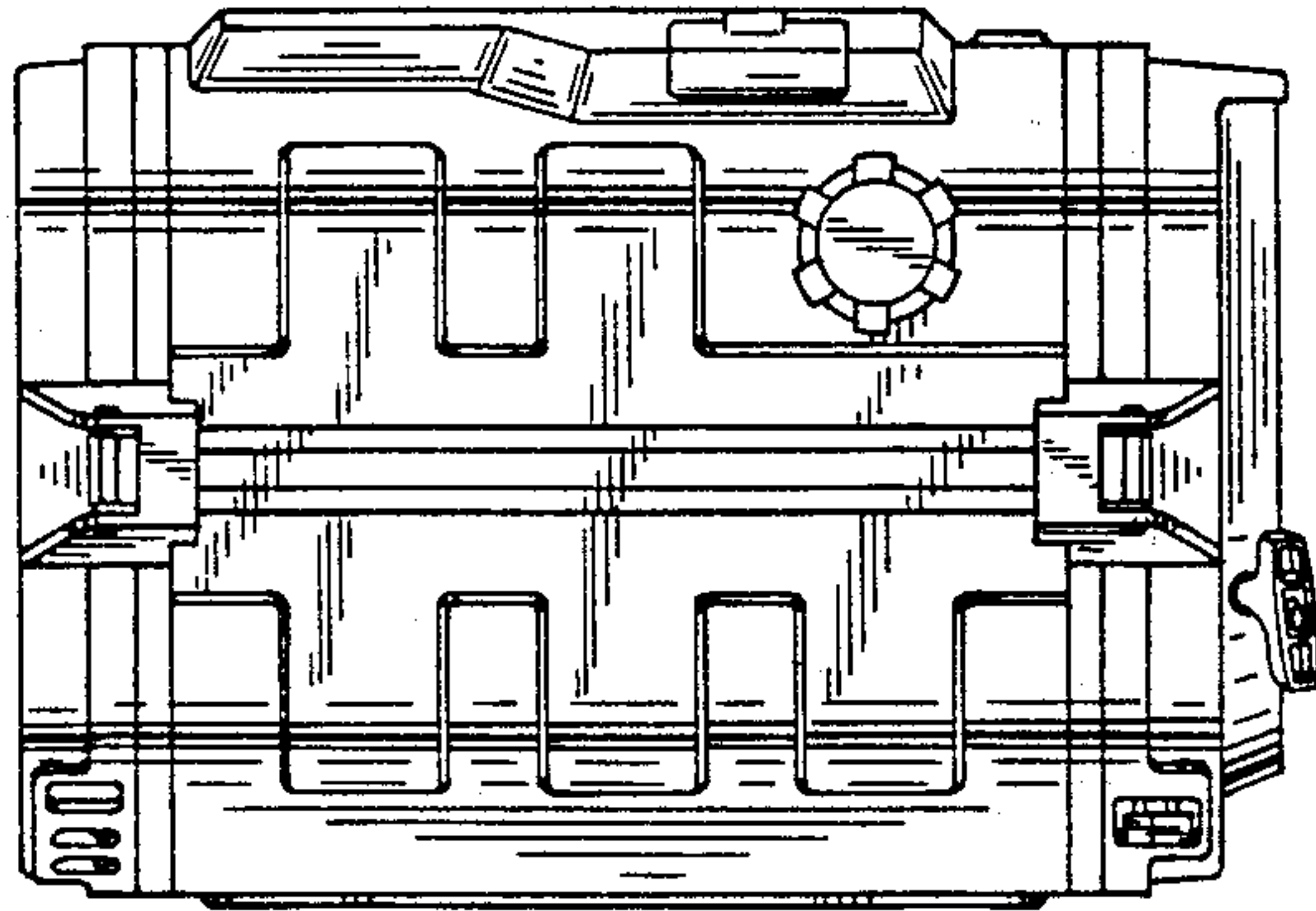


FIG. 6

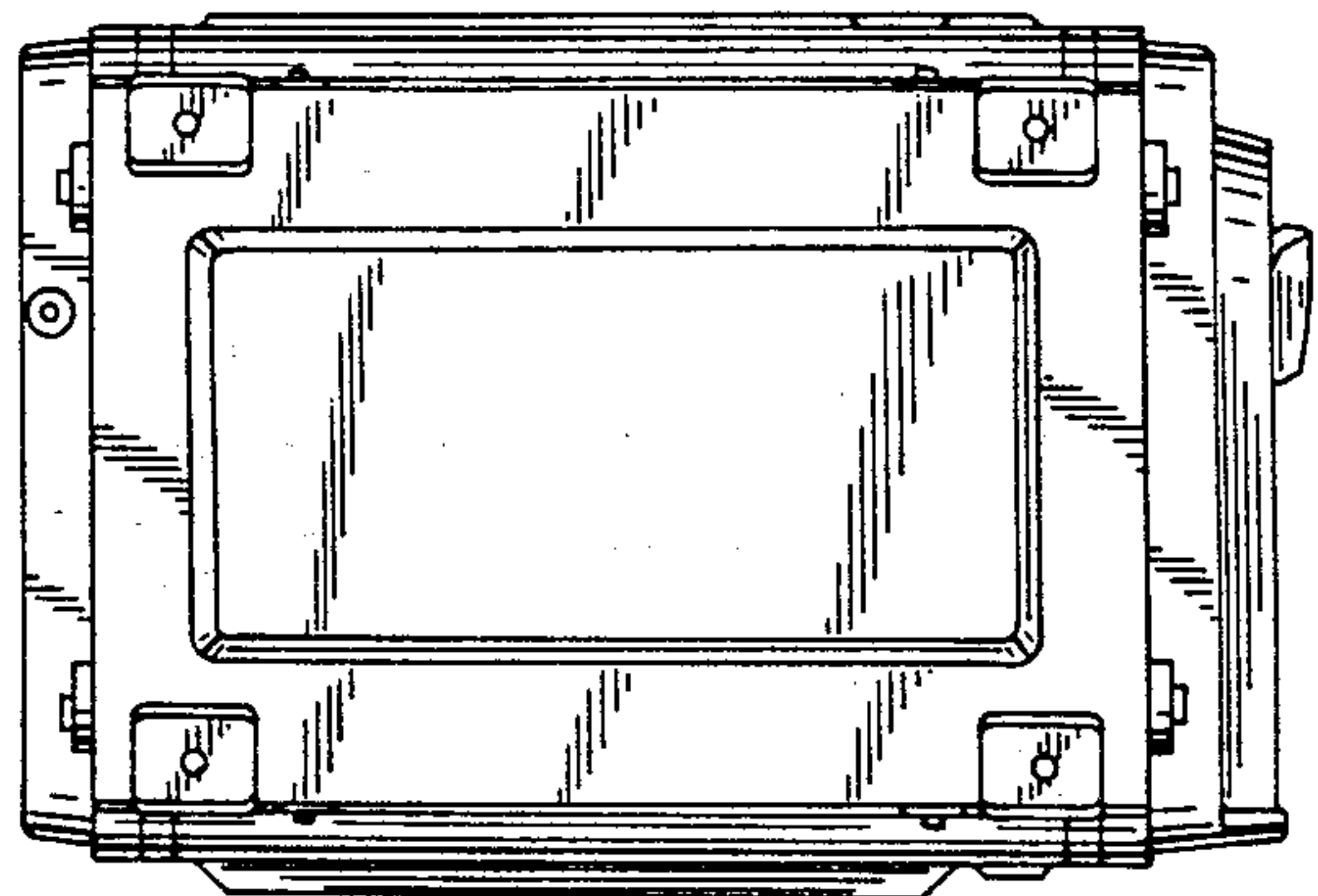


FIG. 7

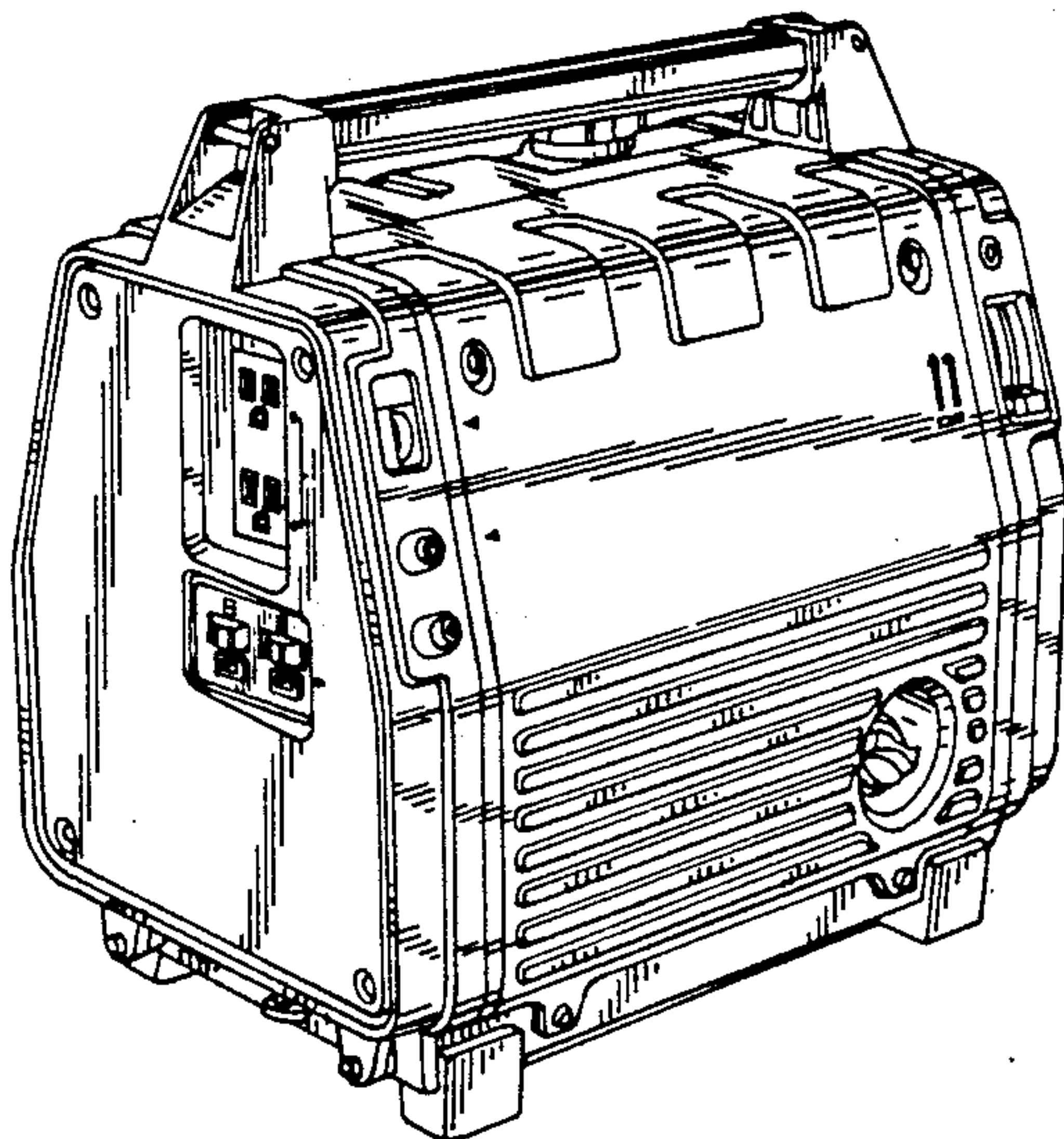


FIG. 9

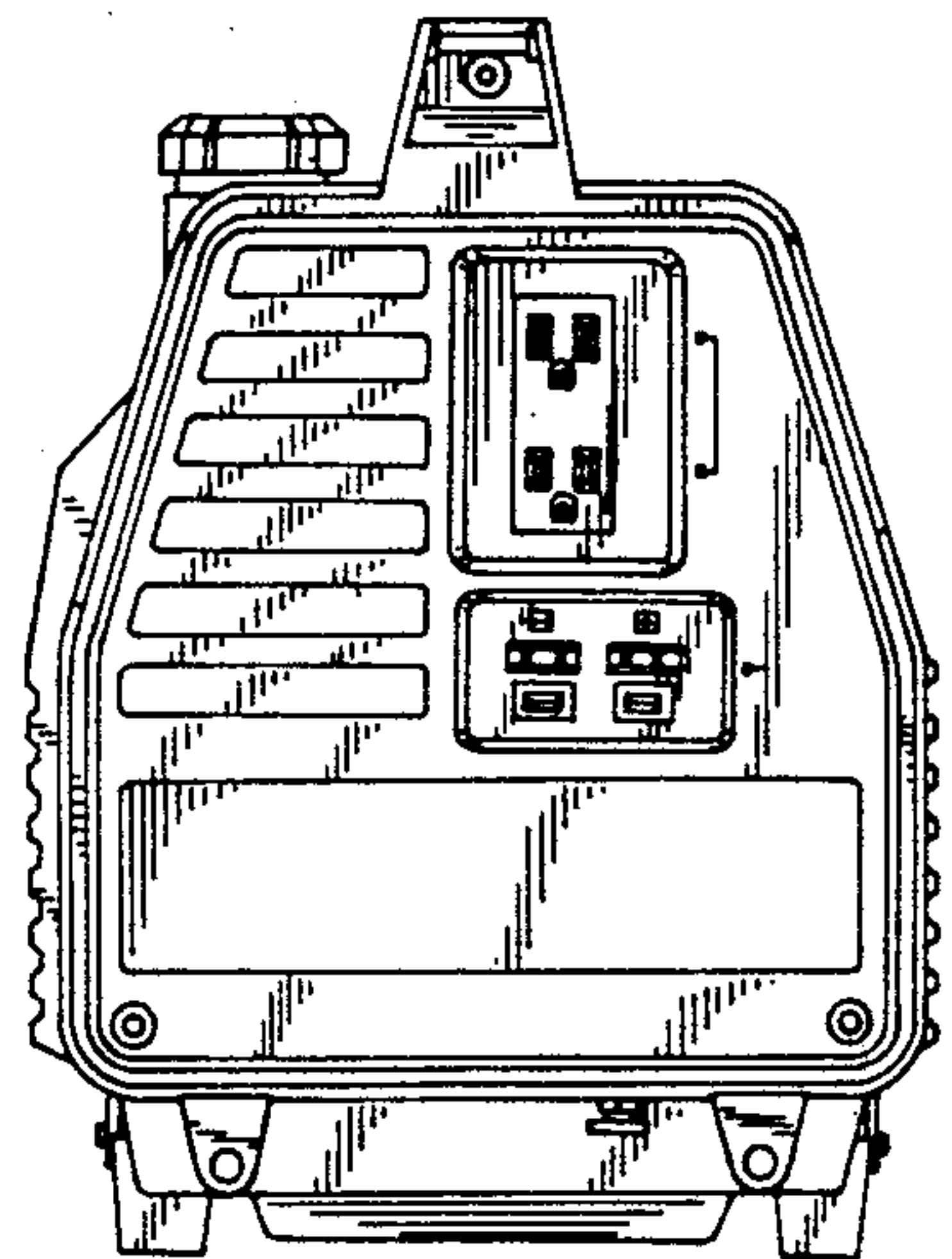




FIG. 8

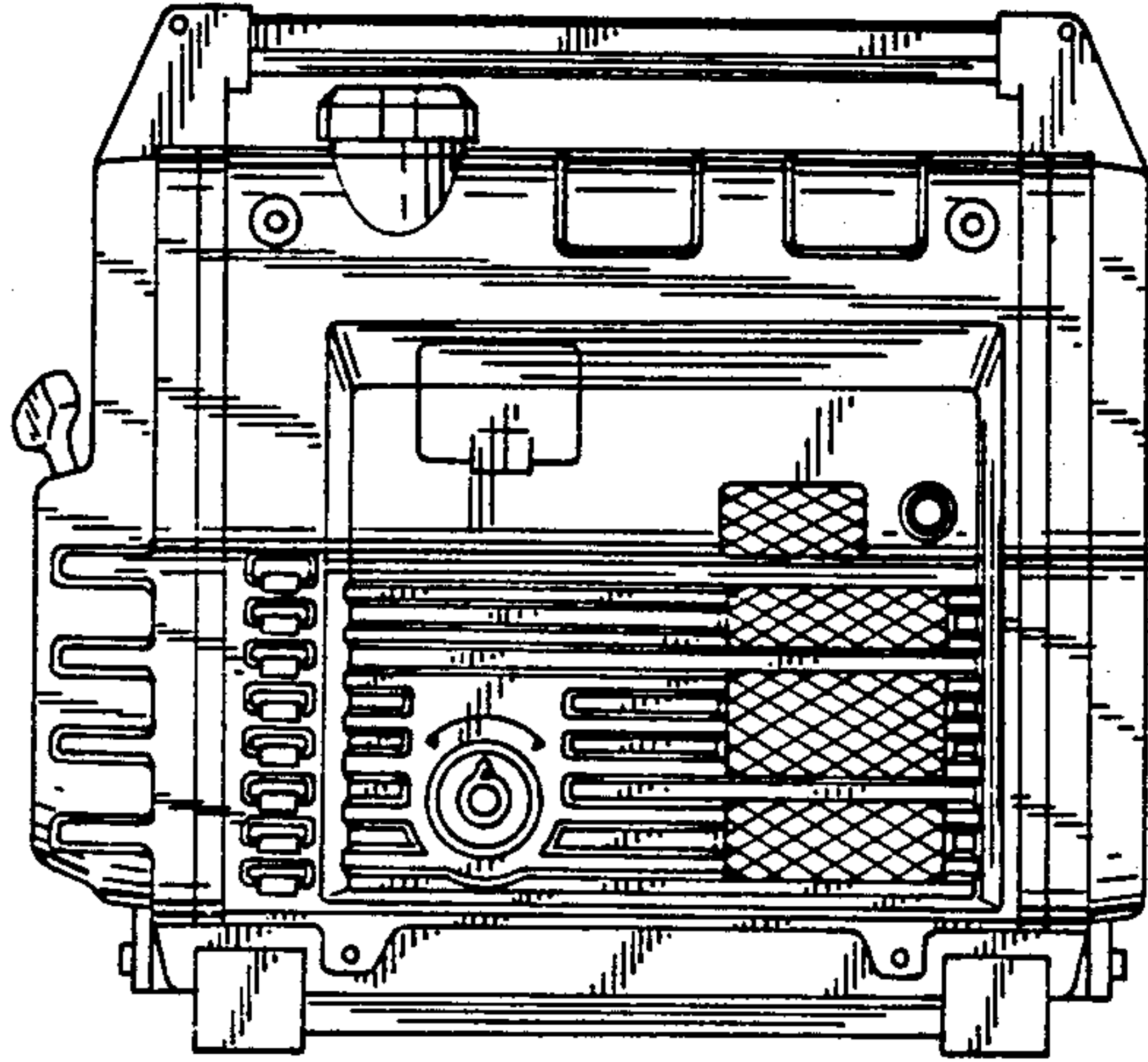


FIG. 10

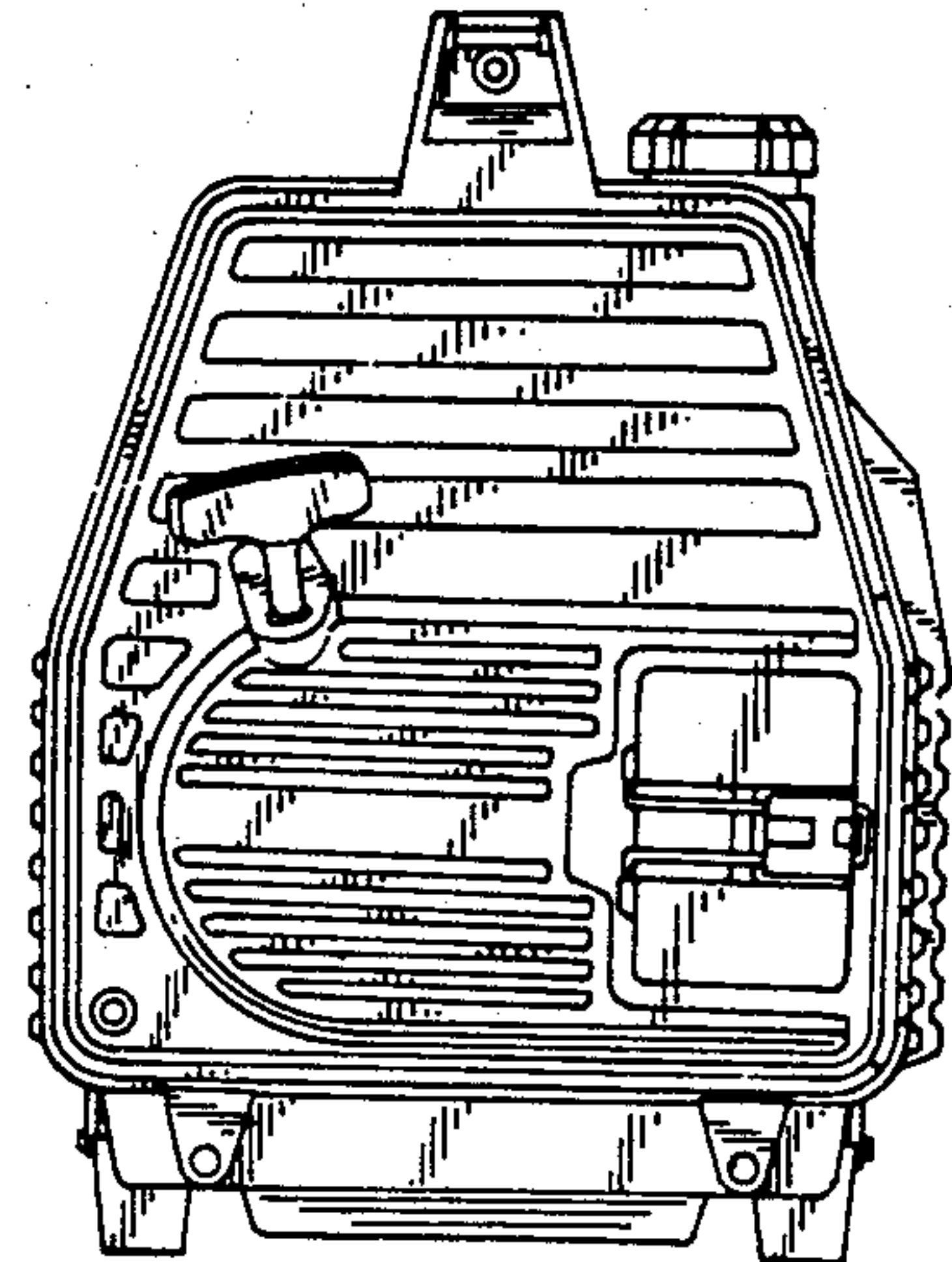


FIG. 11

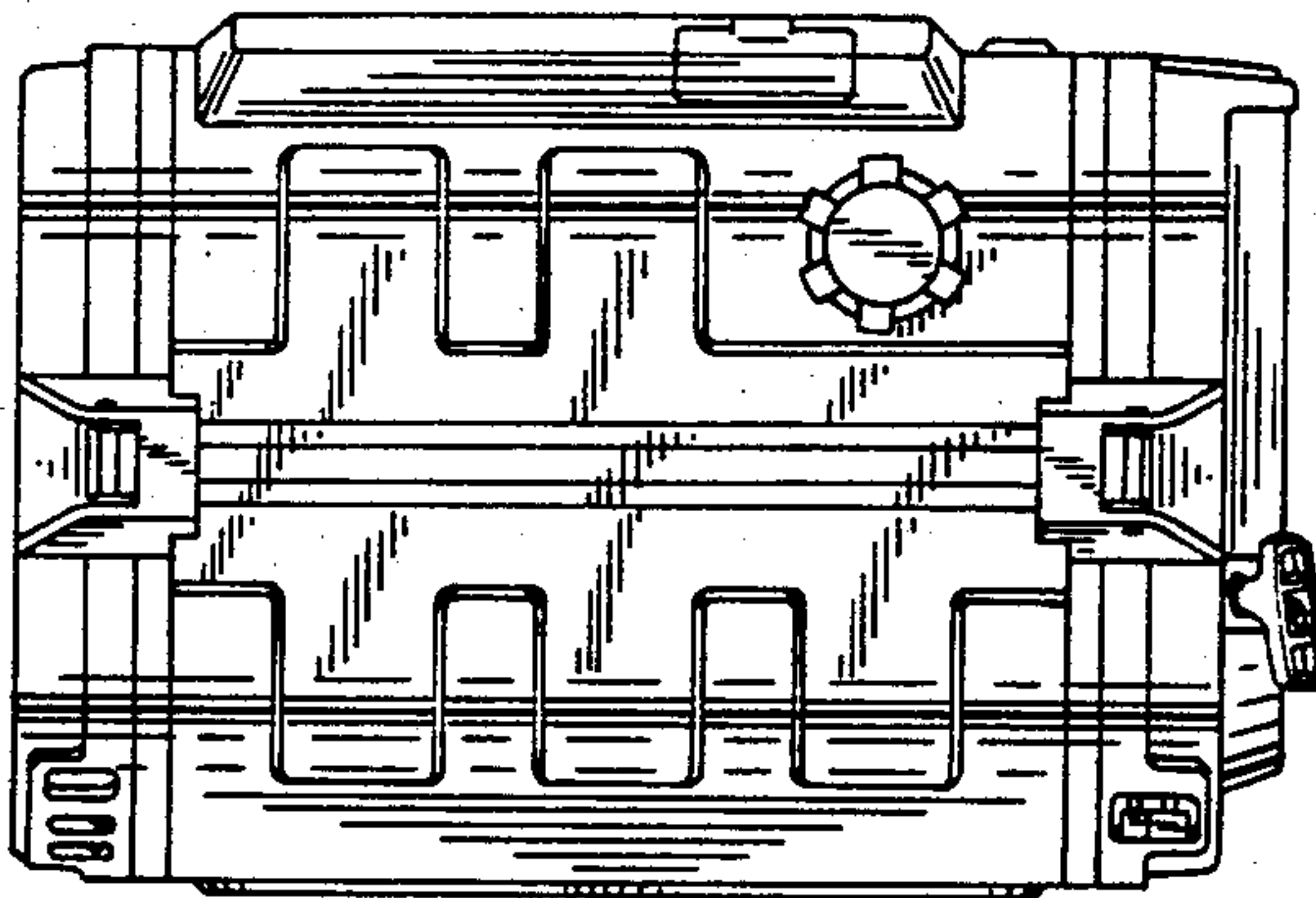


FIG. 12

