

[54] AEROSOL SPRAYER ACTUATOR

[76] Inventor: Robert H. Abplanalp, 10 Hewitt Ave., Bronxville, N.Y. 10708

[\*\*] Term: 14 Years

[21] Appl. No.: 869,443

[22] Filed: Apr. 27, 1986

Related U.S. Application Data

[63] Continuation of Ser. No. 732,890, May 8, 1985, abandoned, which is a continuation of Ser. No. 456,405, Jan. 7, 1983, abandoned.

[52] U.S. Cl. .... D9/448; D23/17

[58] Field of Search ..... D9/448, 447, 434, 435, D9/300; D23/17, 18; 222/382, 383, 207, 210, 214, 211, 402.15; 239/337

[56] References Cited

U.S. PATENT DOCUMENTS

- D. 194,890 3/1963 Marler ..... D9/447 X
- D. 243,180 1/1977 Federico et al. .... D23/17
- D. 244,531 5/1977 Klingaman ..... D23/18

- D. 256,271 8/1980 Tada ..... D23/17
- 3,655,096 4/1972 Easter ..... 222/382 X
- 4,157,774 6/1979 Micallef ..... 222/402.15 X
- 4,168,788 9/1979 Quinn ..... 222/383
- 4,361,256 11/1982 Corsette ..... 222/383

FOREIGN PATENT DOCUMENTS

- 644793 3/1964 Belgium ..... 239/337

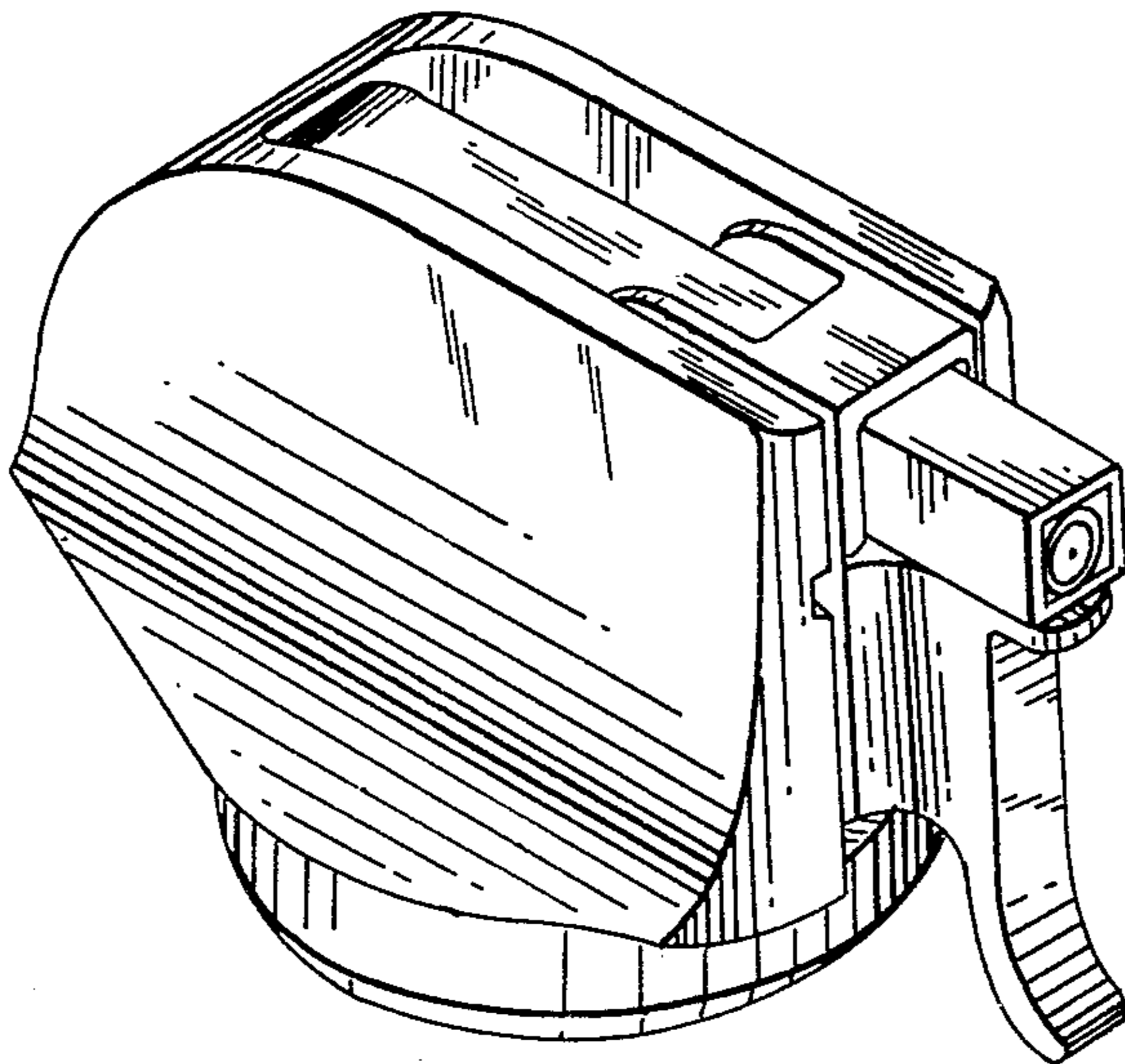
Primary Examiner—Bernard Ansher  
Assistant Examiner—Linda Titolo  
Attorney, Agent, or Firm—William F. Kilgannon

[57] CLAIM

The ornamental design for an aerosol sprayer actuator, as shown and described.

DESCRIPTION

FIG. 1 is a top front perspective view of an aerosol sprayer actuator, showing my new design; FIG. 2 is a left side elevational view thereof, the right side being a mirror image thereof; FIG. 3 is a bottom plan view thereof; FIG. 4 is a front elevational view thereof; and FIG. 5 is a rear elevational view thereof.



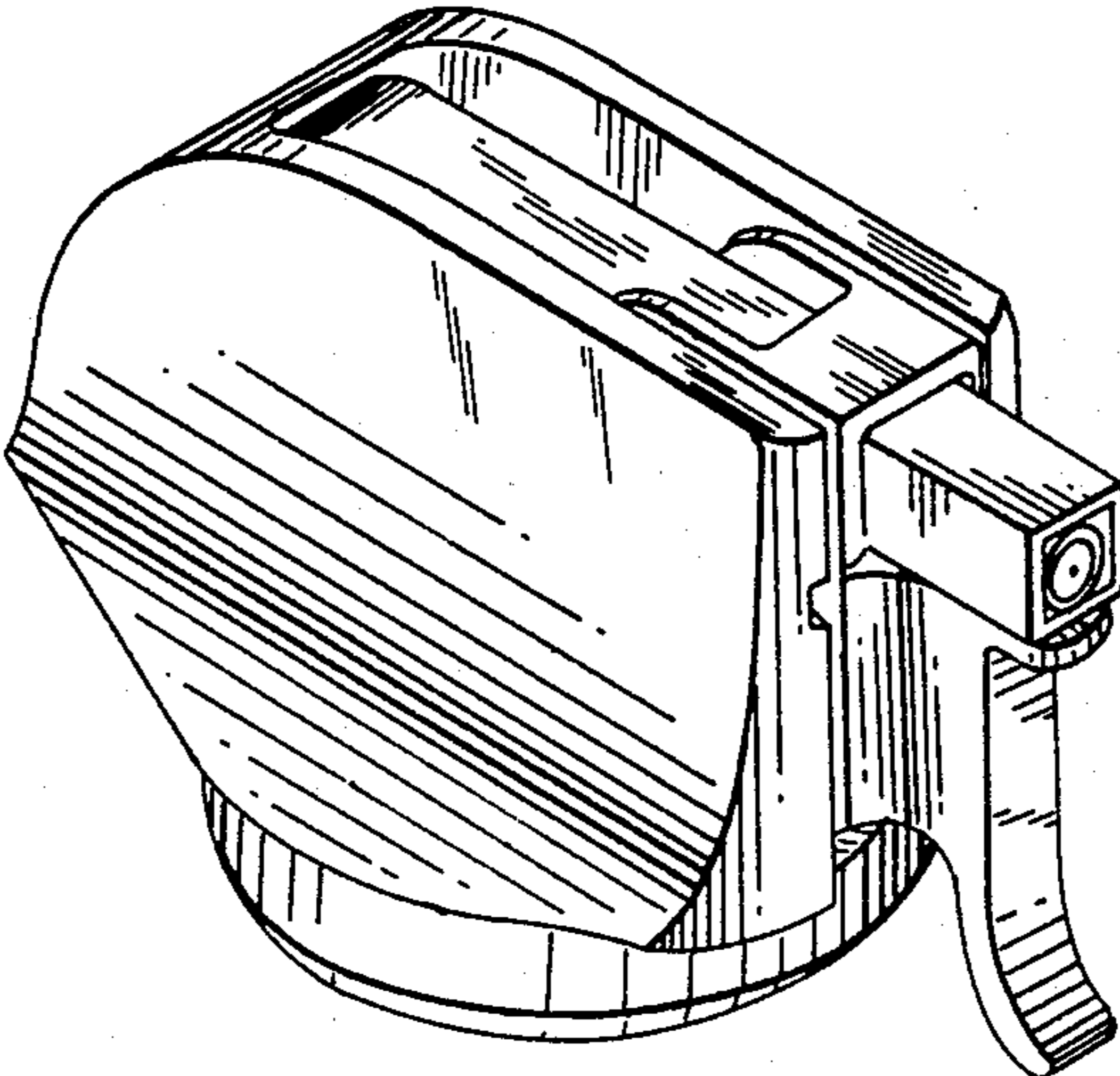


FIG. 1

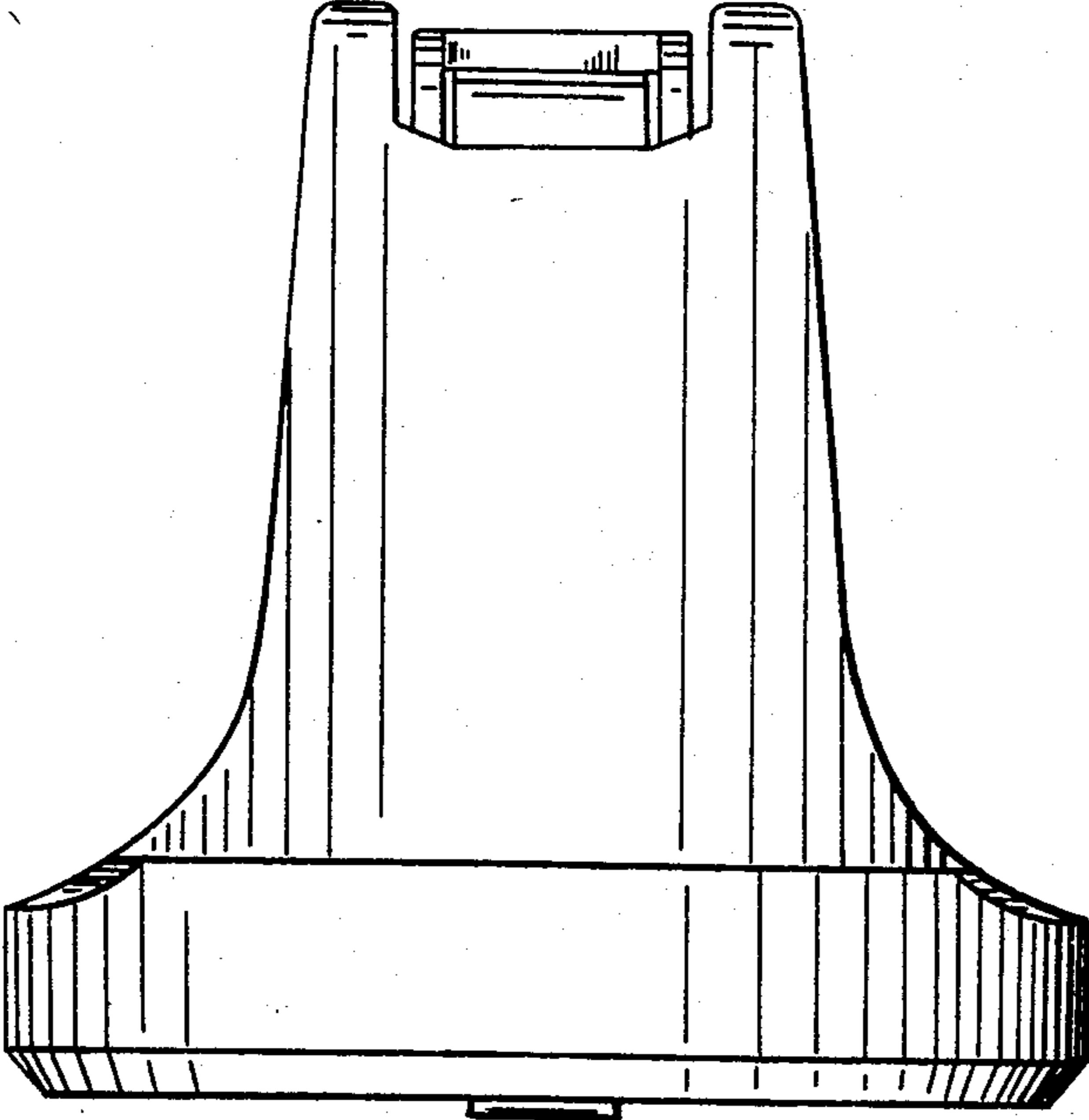


FIG. 5

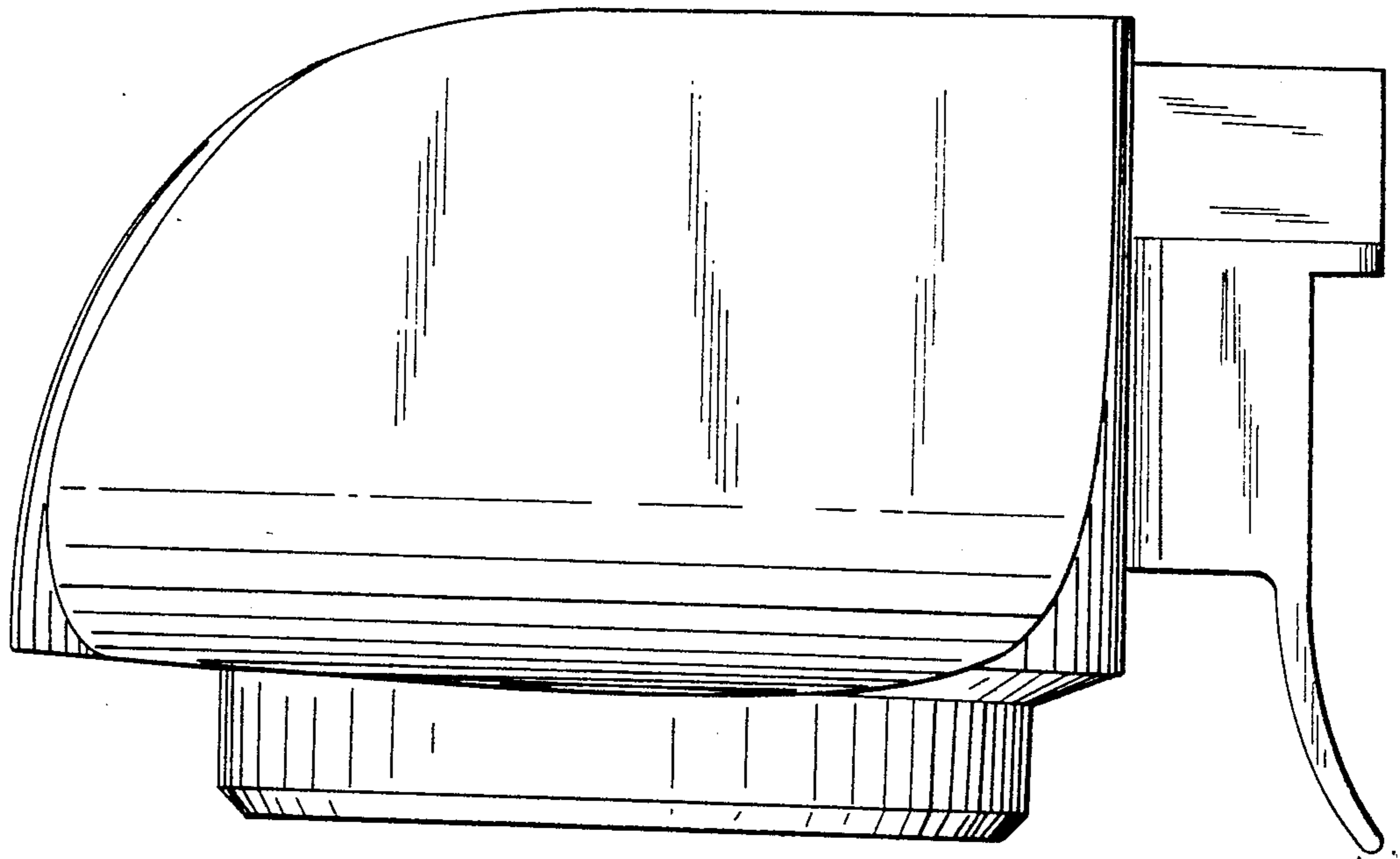


FIG. 2

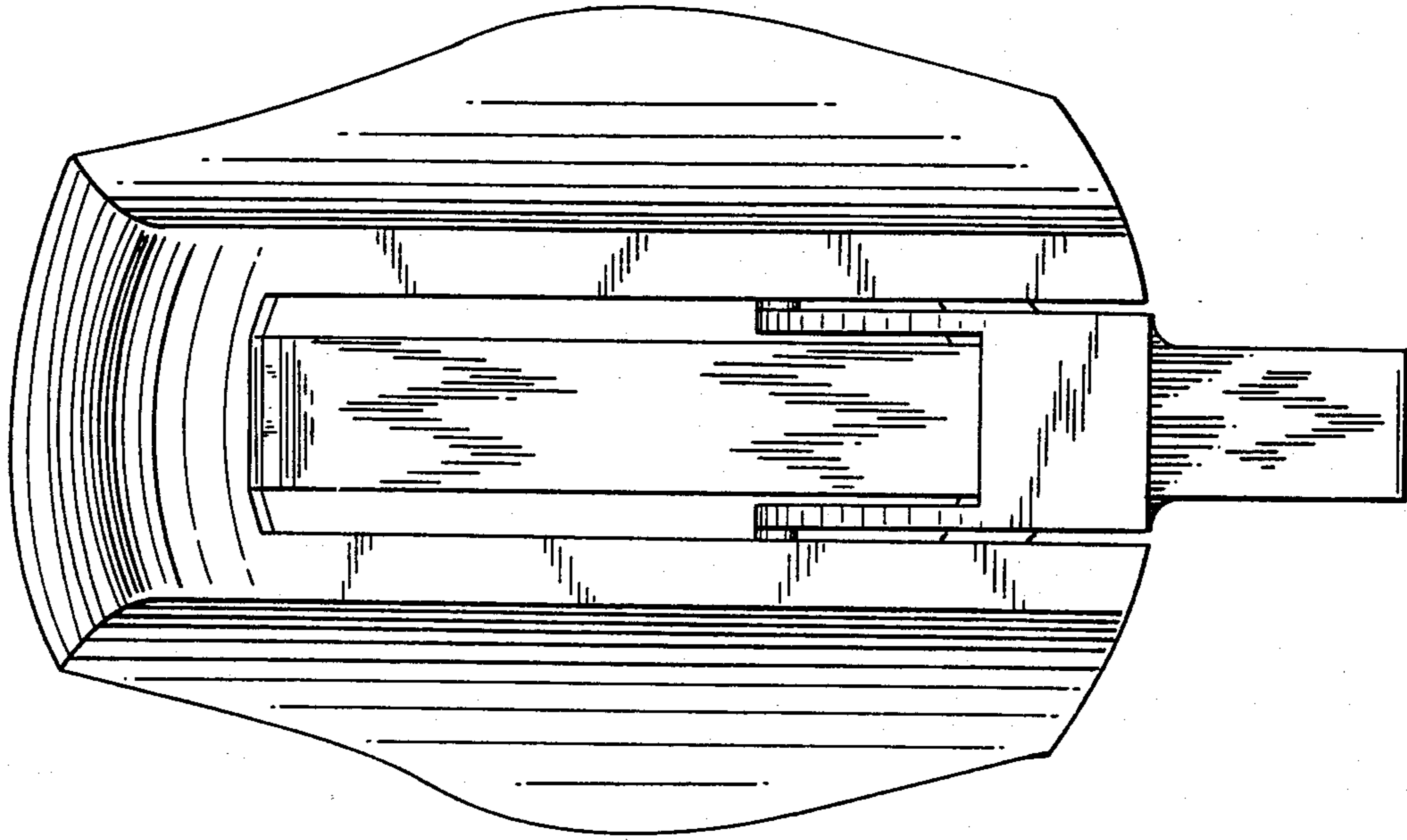


FIG. 3

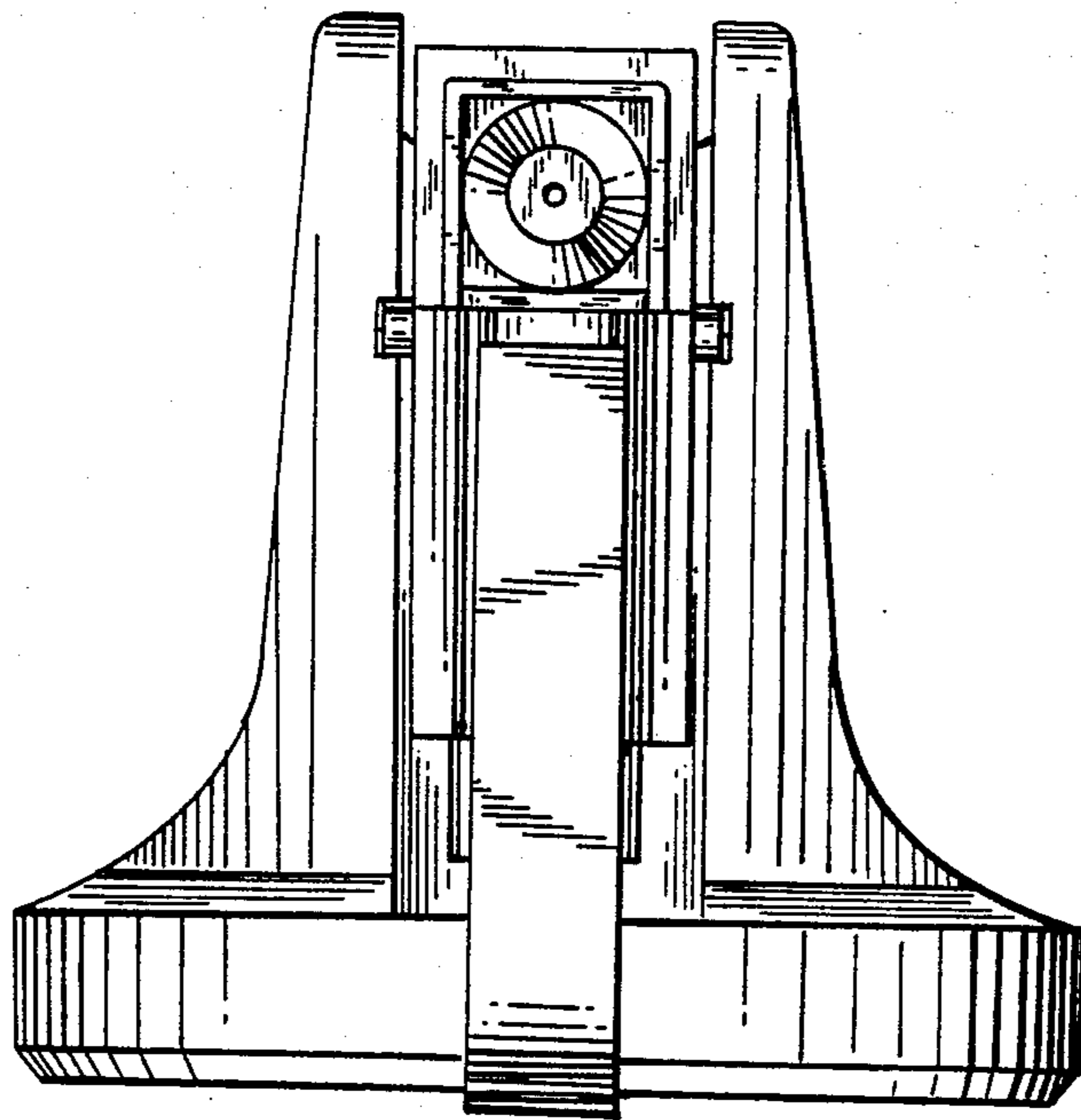


FIG. 4