

[54] RECLOSABLE DISPENSER TOP
[75] Inventor: John C. Crawford, Lake Mahopac,
N.Y.
[73] Assignee: Colgate-Palmolive Company, New
York, N.Y.
[**] Term: 14 Years
[21] Appl. No.: 691,092
[22] Filed: Jan. 14, 1985
[52] U.S. Cl. D9/440; D9/447;
D9/449
[58] Field of Search D9/434-499;
222/480, 565

3,140,019 7/1964 Barr 222/480
3,217,949 11/1965 Davis 222/480
3,469,732 9/1969 Foster 222/480 X
4,284,200 8/1981 Bush et al. 222/480 X

Primary Examiner—Bernard Ansher
Assistant Examiner—Linda Titolo
Attorney, Agent, or Firm—Herbert S. Sylvester; Murray
M. Grill; John A. Stemwedel

[57] CLAIM

The ornamental design for a reclosable dispenser top, as
shown and described.

DESCRIPTION

FIG. 1 is a top front perspective view of a reclosable
dispenser top, showing my new design, in an open posi-
tion;
FIG. 2 is a top rear perspective view thereof;
FIG. 3 is a top front perspective view thereof, in a
closed position;
FIG. 4 is a top rear perspective view thereof;
FIG. 5 is a top plan view thereof; and
FIG. 6 is a bottom plan view thereof.

[56] References Cited
U.S. PATENT DOCUMENTS
D. 200,270 2/1965 Waterman D9/450
D. 204,509 4/1966 Waterman D9/450
D. 249,023 8/1978 Ames D9/440
D. 272,807 2/1984 Ruhl D9/449
D. 278,602 4/1985 Rosenstein D9/449

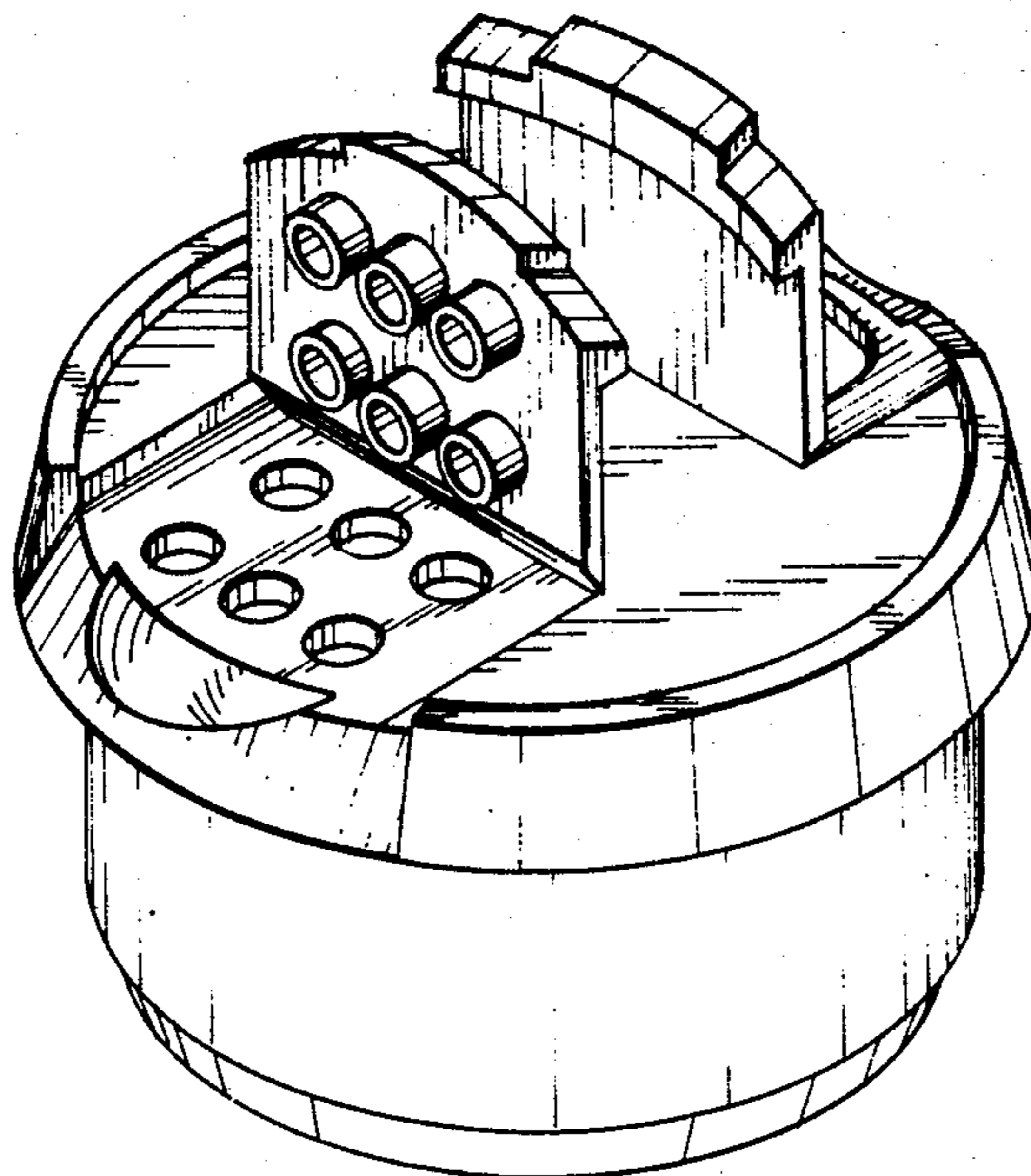


FIG. 1

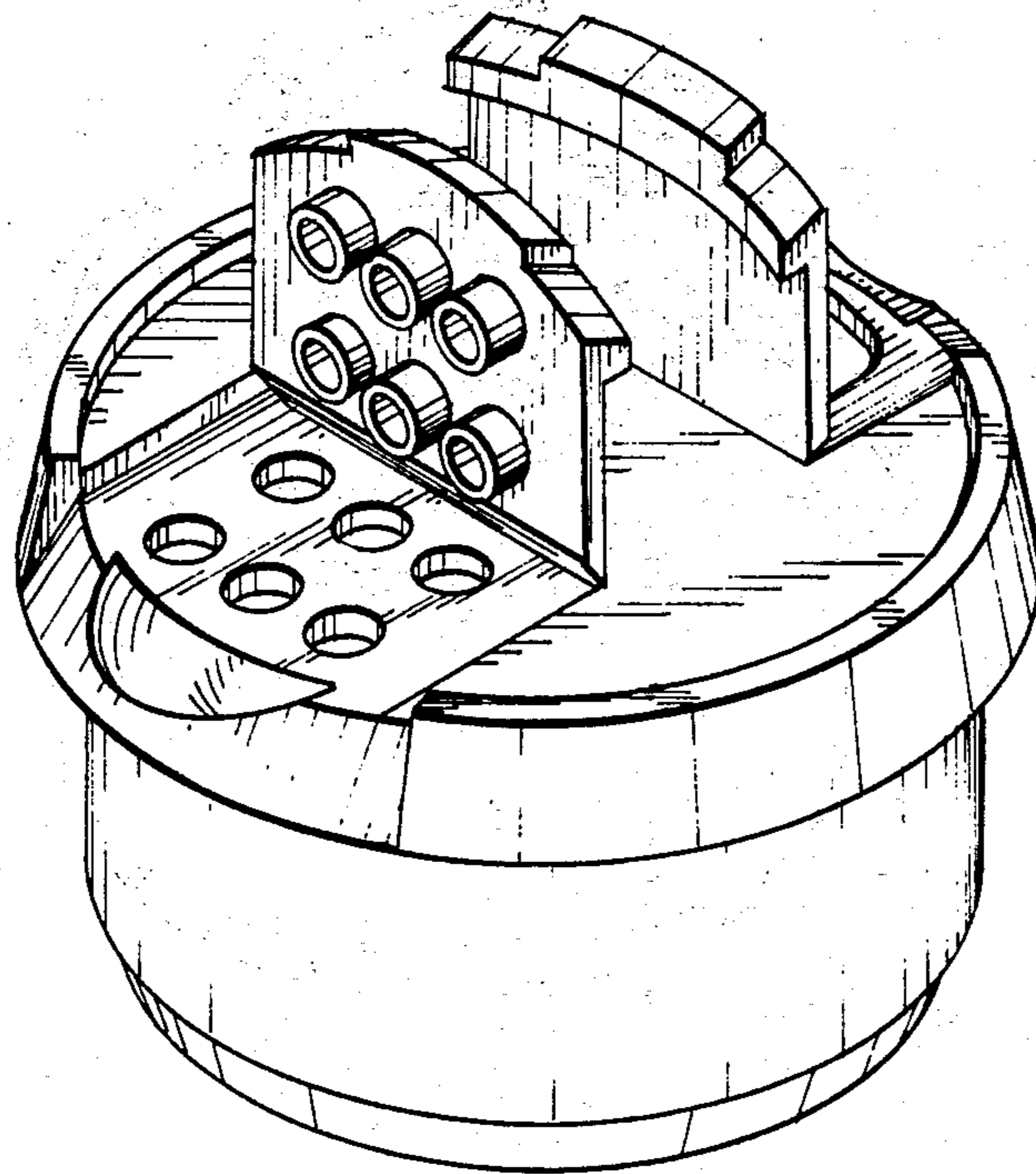
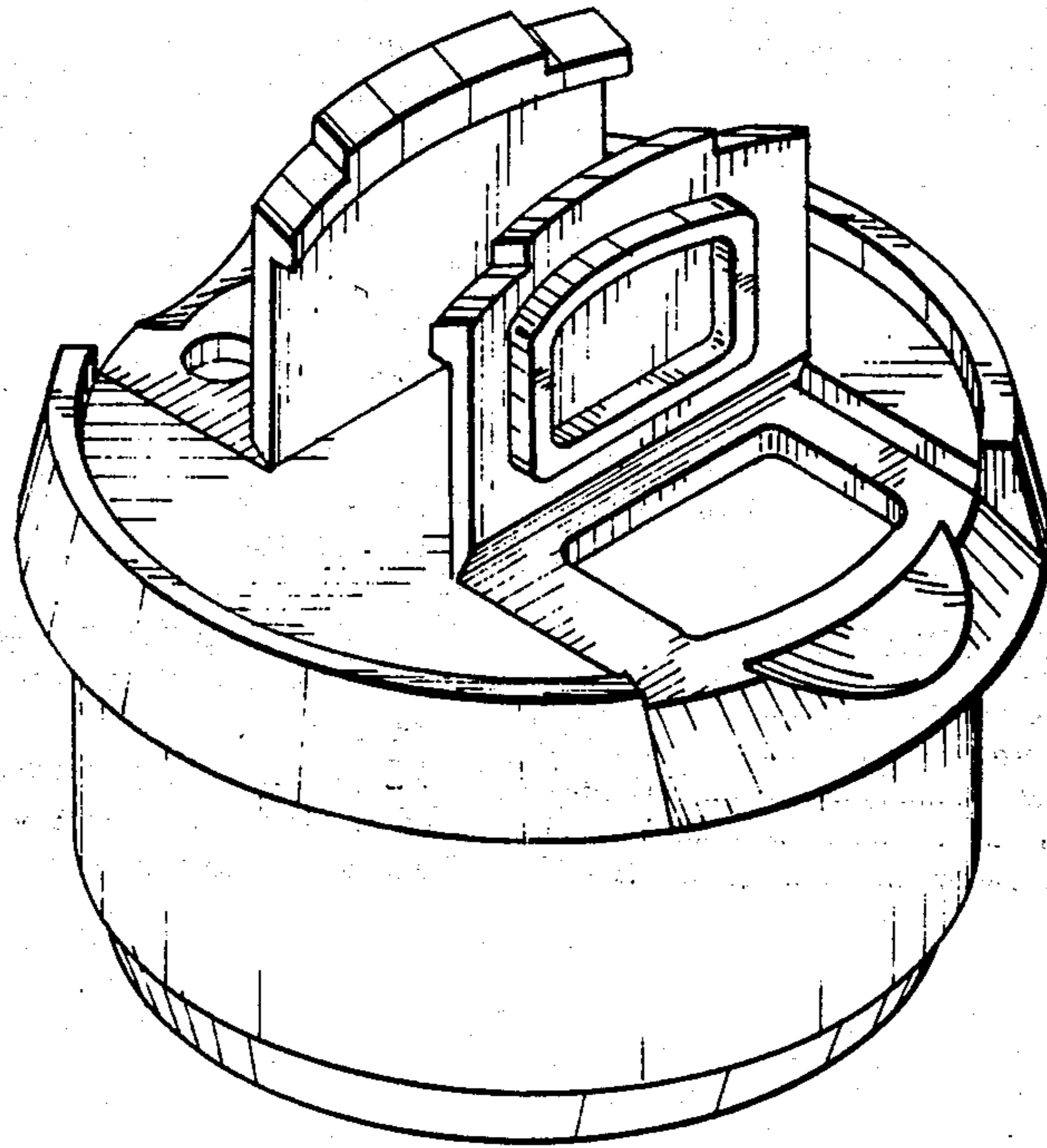


FIG. 2

FIG. 3

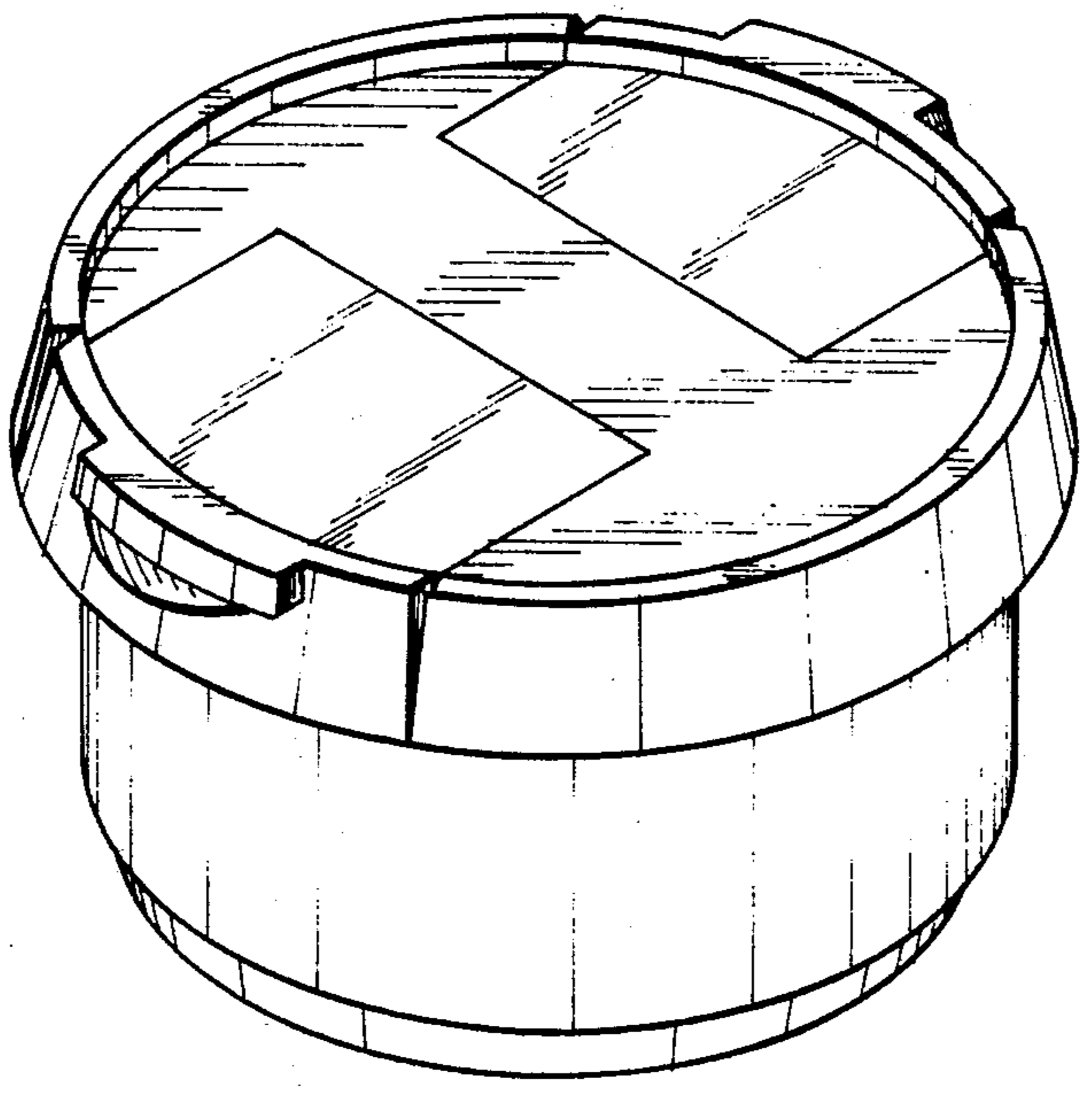
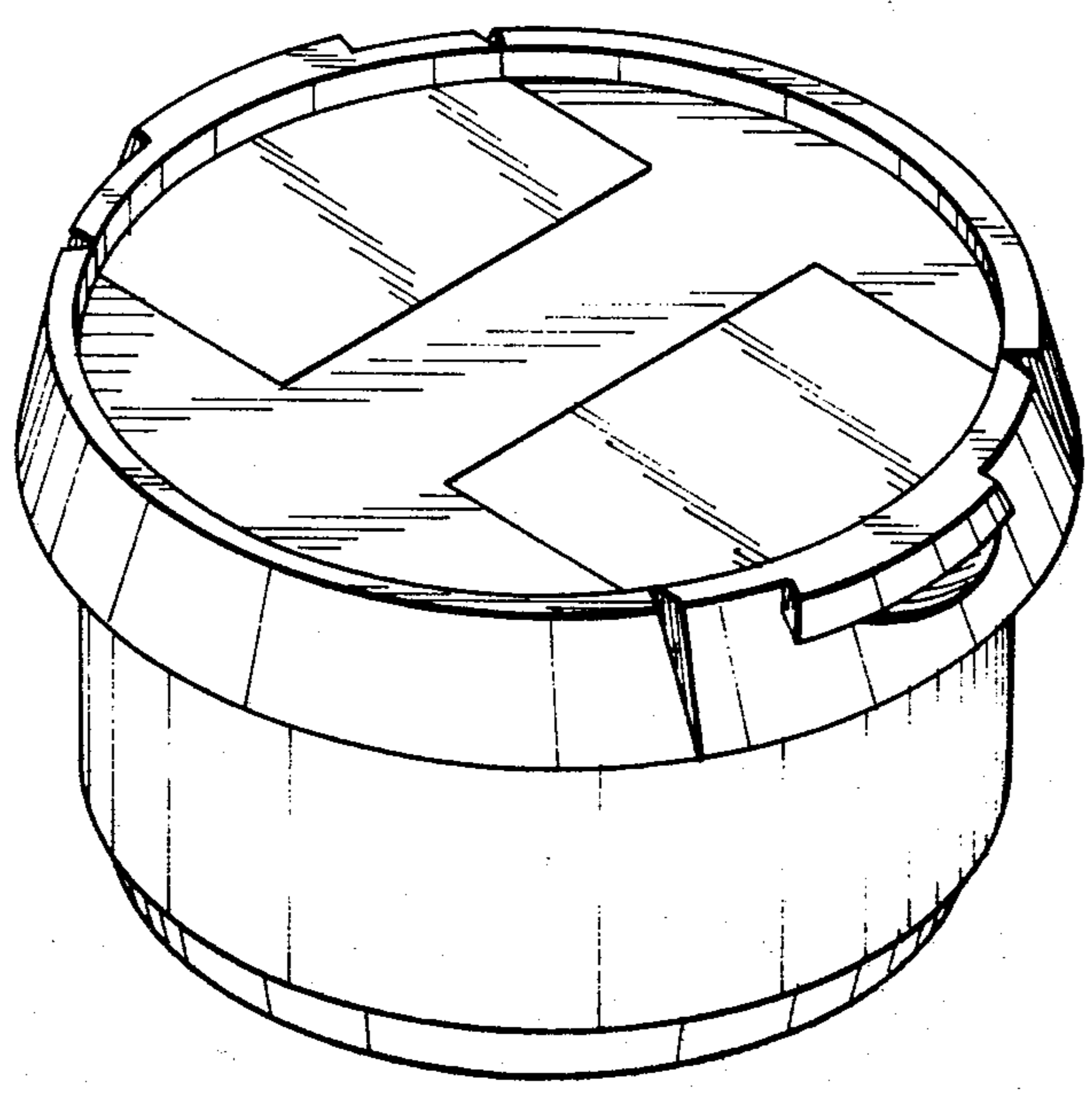


FIG. 4

FIG. 5

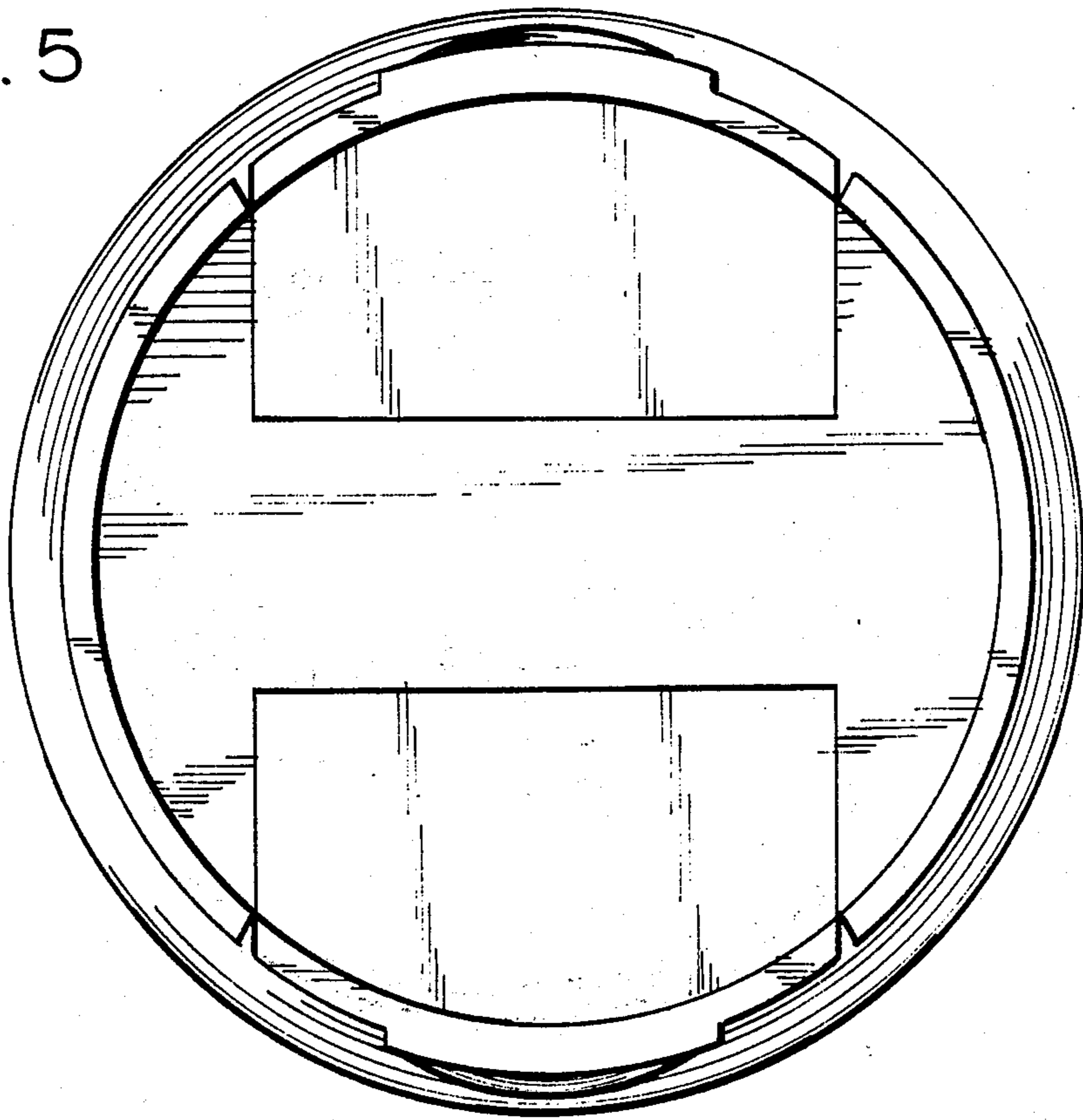


FIG. 6

