

[54] HINGE  
 [75] Inventor: Masaru Yagi, Tsushima, Japan  
 [73] Assignee: Kitagawa Industries Co., Ltd., Nagoya, Japan  
 [\*\*] Term: 14 Years  
 [21] Appl. No.: 702,258  
 [22] Filed: Feb. 15, 1985

[30] Foreign Application Priority Data  
 Sep. 19, 1984 [JP] Japan ..... 59-38940  
 [52] U.S. Cl. .... D8/325; D8/382  
 [58] Field of Search ..... D8/323, 325, 327, 382; 16/221, 225, 277, 385, 388

[56] References Cited  
 U.S. PATENT DOCUMENTS  
 D. 201,870 8/1965 Joyce ..... D8/325  
 D. 233,880 12/1974 Swenson et al. .... D8/325  
 D. 279,255 6/1985 Roy ..... D8/327

3,574,306 4/1971 Alden ..... 16/225  
 4,574,425 3/1986 Sugiura ..... 16/225

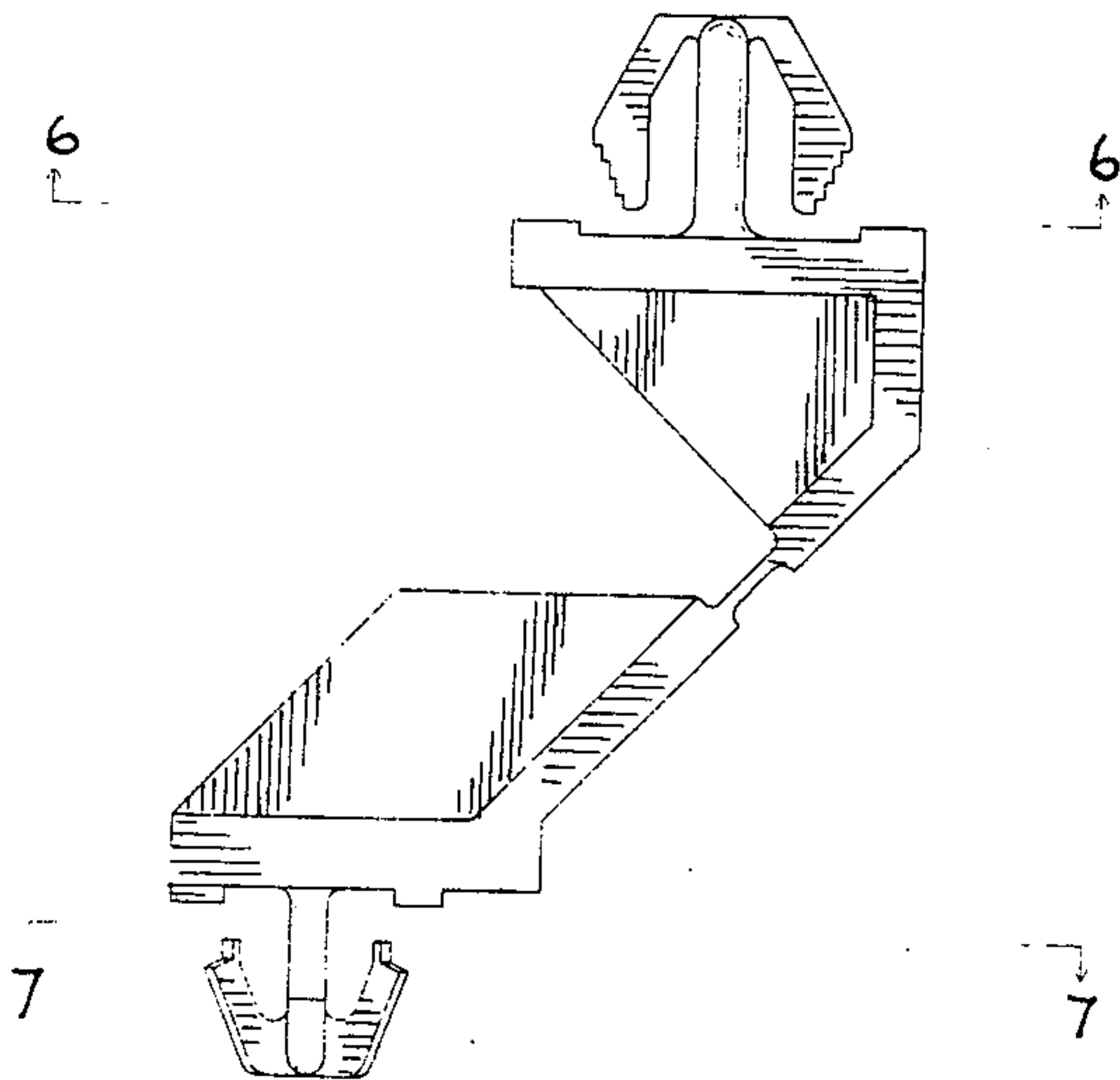
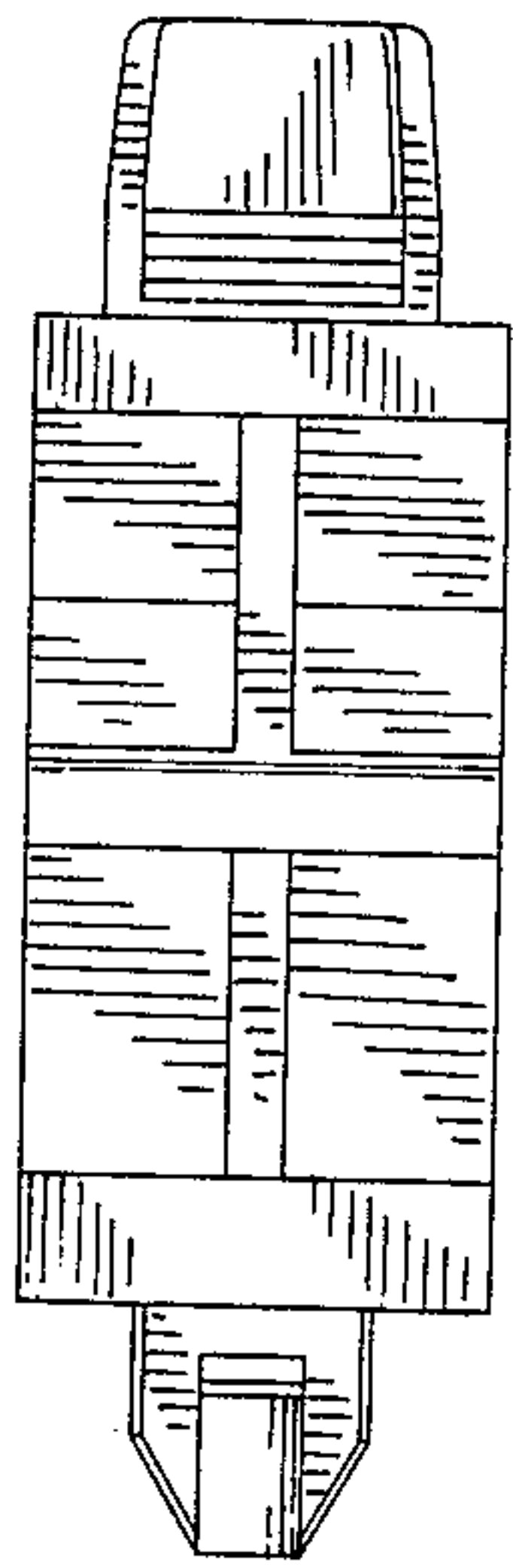
Primary Examiner—B. J. Bullock  
 Attorney, Agent, or Firm—Oblon, Fisher, Spivak, McClelland & Maier

[57] CLAIM

The ornamental design for a hinge, substantially as shown and described.

DESCRIPTION

FIG. 1 is a top view of the hinge showing my new design;  
 FIG. 2 is a front view thereof, the rear being a mirror image;  
 FIG. 3 is a bottom view thereof;  
 FIG. 4 is a left side view thereof;  
 FIG. 5 is a right side view thereof;  
 FIG. 6 is a sectional view taken in the direction of the arrows on line 6—6 of FIG. 2;  
 FIG. 7 is a sectional view taken in the direction of the arrows on line 7—7 of FIG. 2.



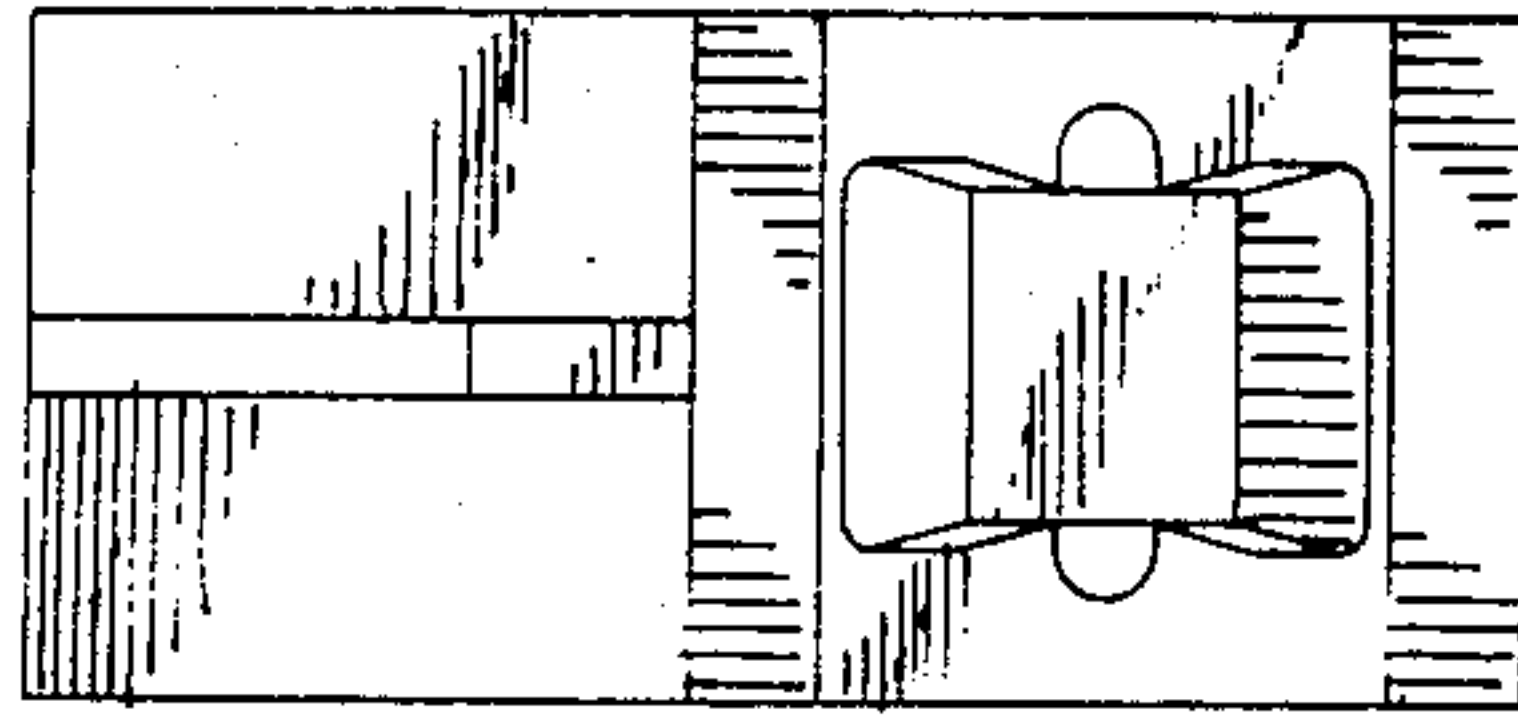


Fig. 1

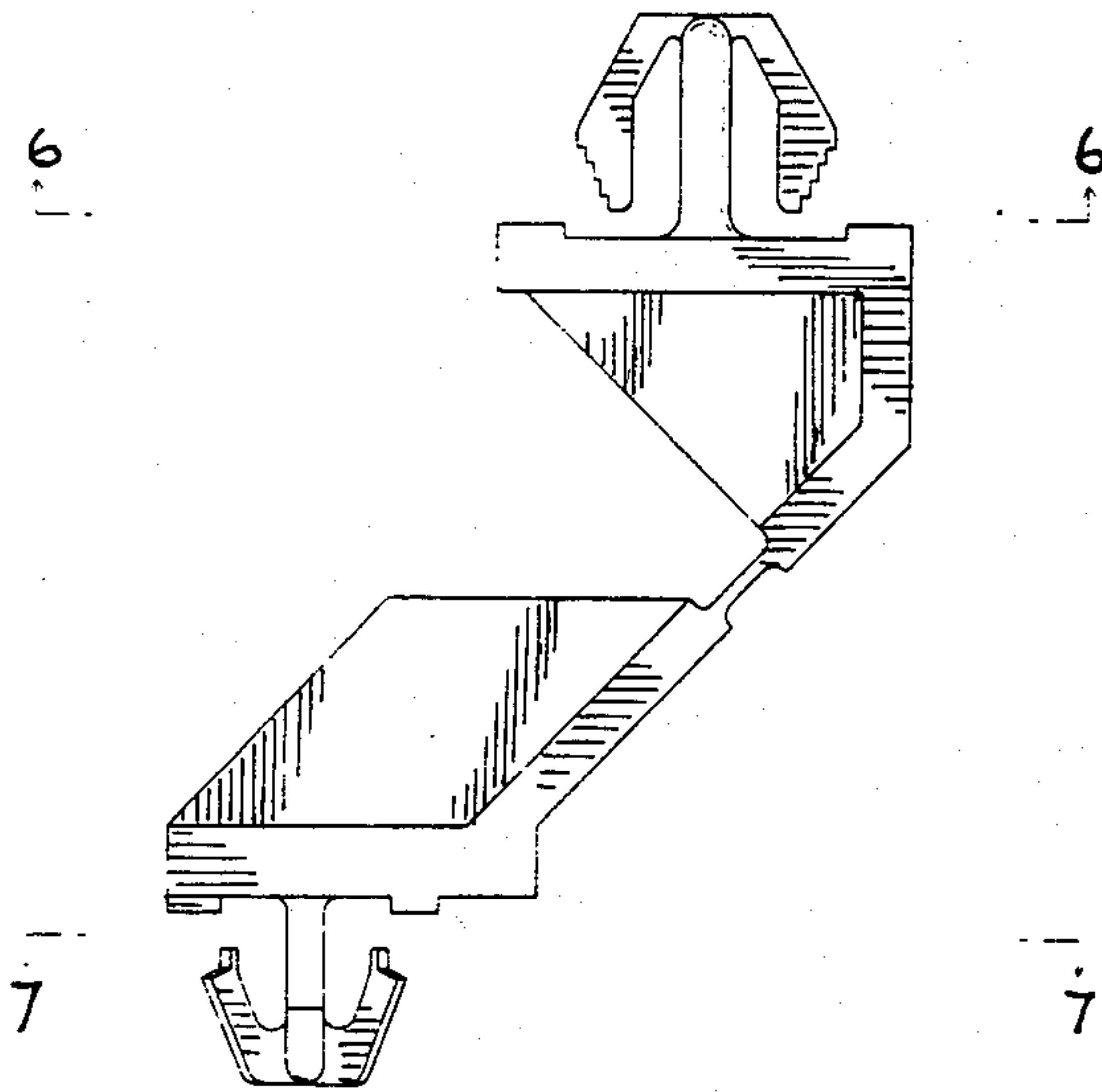


Fig. 2

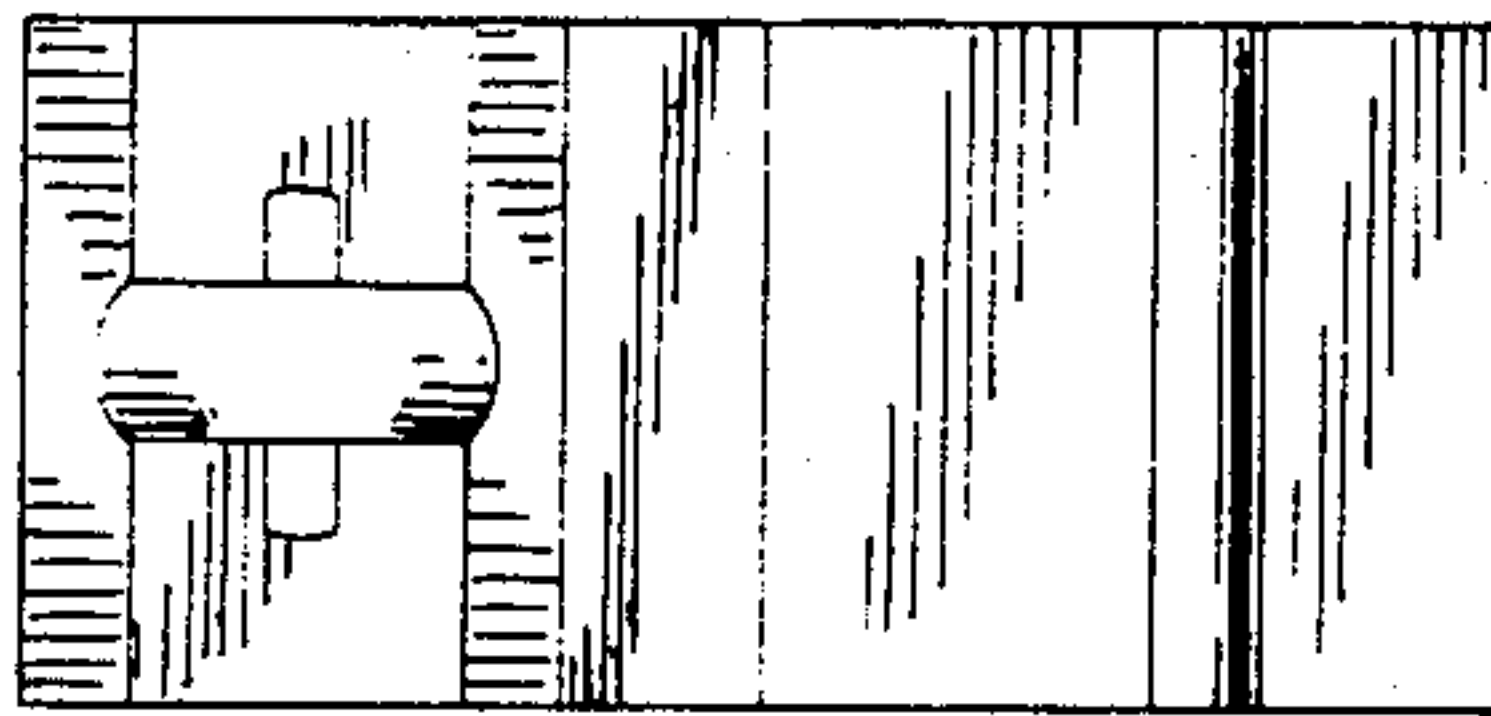


Fig. 3

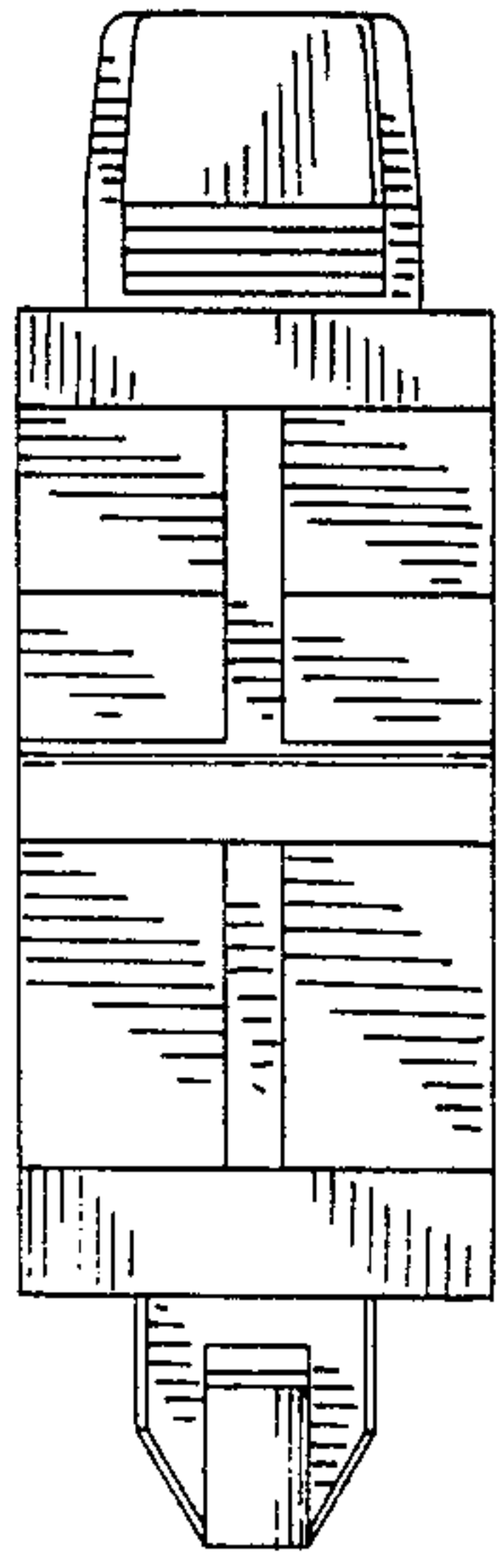


Fig. 4

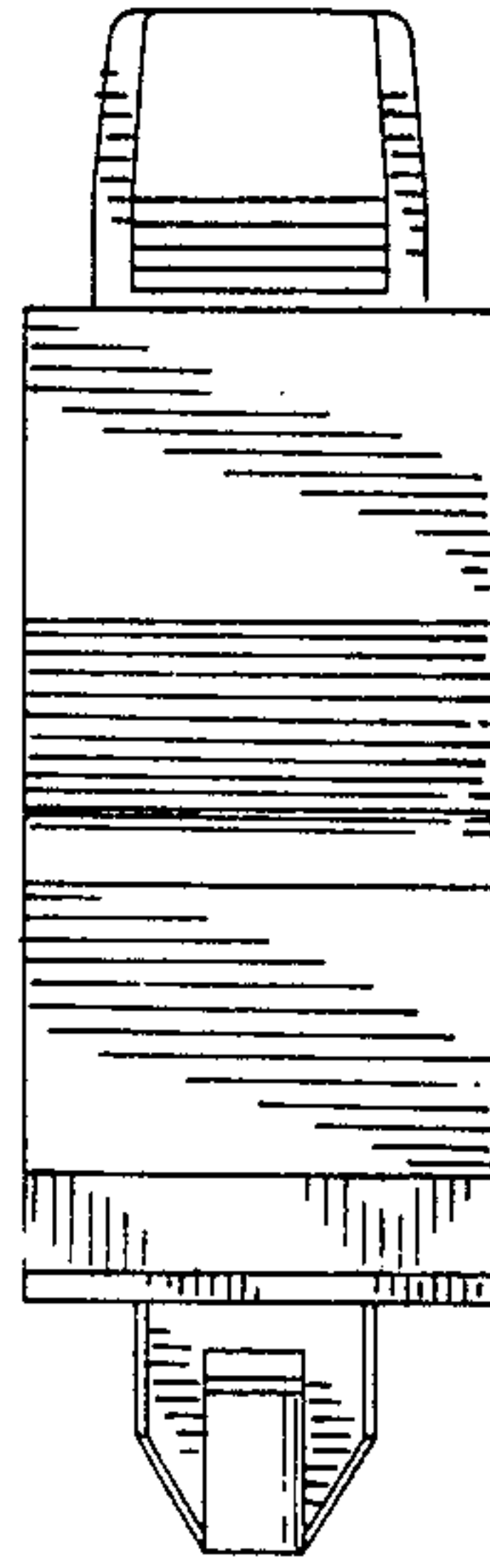


Fig. 5

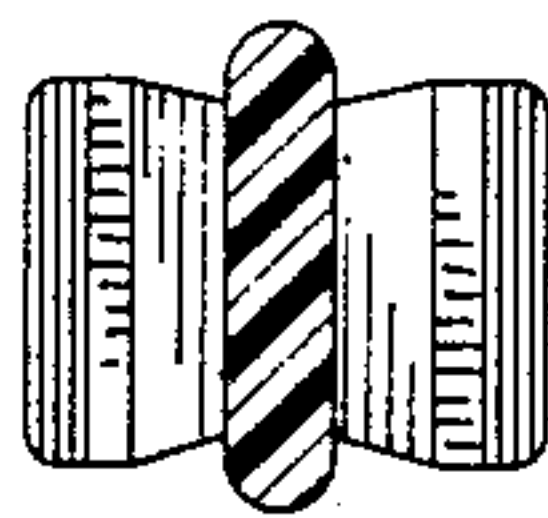


Fig. 6

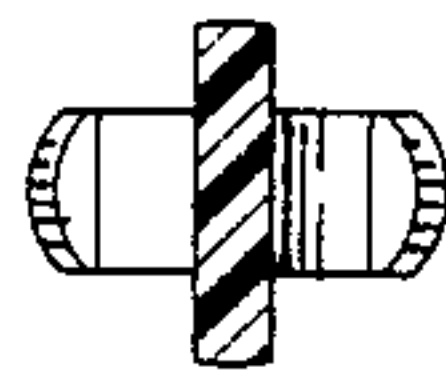


Fig. 7