

[54] **HOLDER FOR A GENERATOR**

[76] Inventor: **Nicholas F. DeNardis**, 1128 W. Ives St., Marshfield, Wis. 54449

[**] Term: **14 Years**

[21] Appl. No.: **627,823**

[22] Filed: **Jul. 5, 1984**

[52] U.S. Cl. **D8/71**

[58] Field of Search **D8/70-74; D15/140; 269/71, 72, 73, 249, 254 CS**

2,420,002 5/1947 McKay 269/73
 4,363,475 12/1982 McCarty 269/249 X

Primary Examiner—Susan J. Lucas
Assistant Examiner—C. E. Heflin
Attorney, Agent, or Firm—Leo Gregory

[57] **CLAIM**

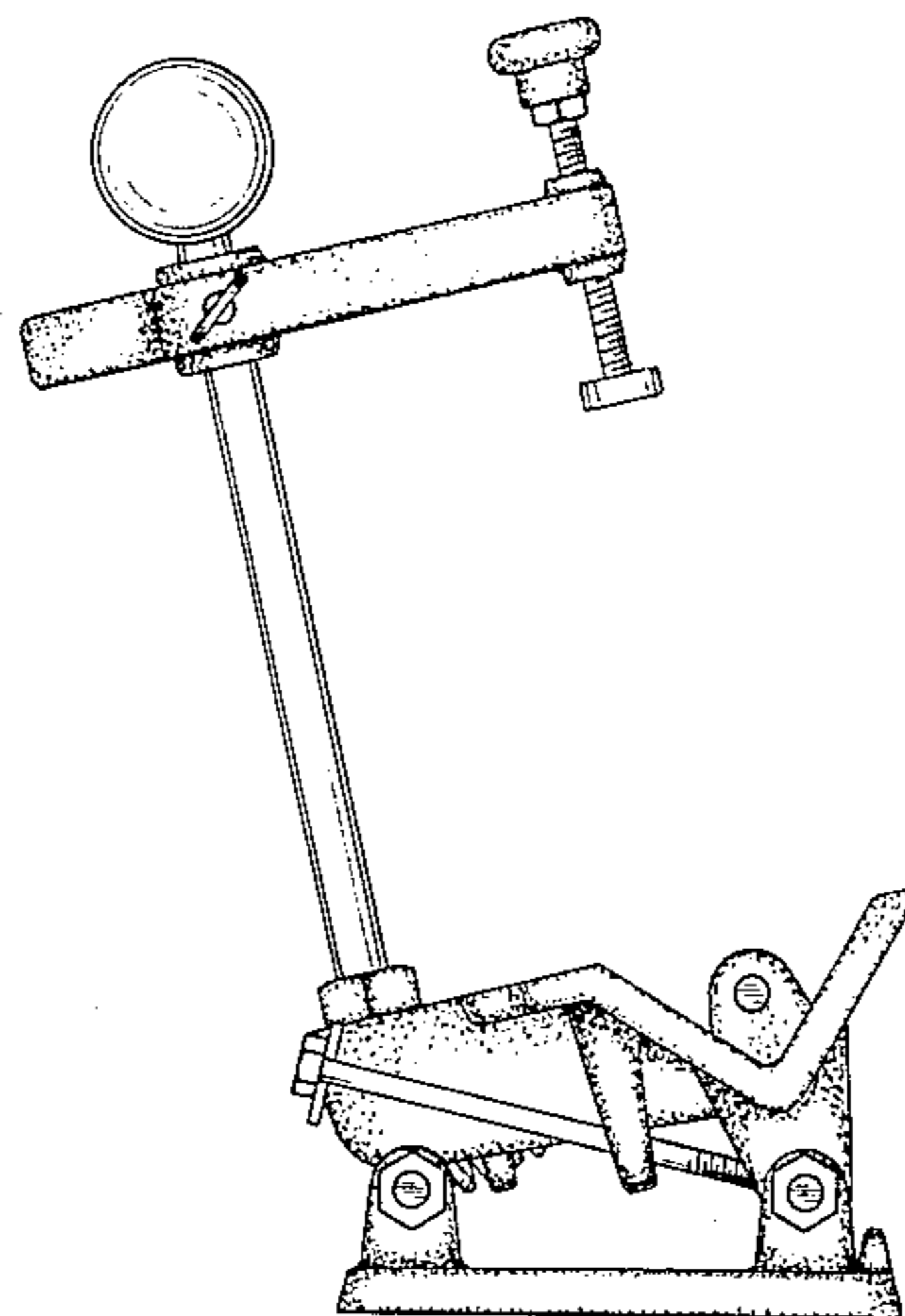
The ornamental design for a holder for a generator, as shown and described.

DESCRIPTION

FIG. 1 is a left side elevational view of the holder for a generator showing my new design;
 FIG. 2 is a front elevational view thereof;
 FIG. 3 is a side elevational view thereof;
 FIG. 4 is a rear elevational view thereof;
 FIG. 5 is a top plan view thereof; and
 FIG. 6 is a fragmentary sectional view thereof taken along line 6—6 of FIG. 2.

[56] **References Cited**
U.S. PATENT DOCUMENTS

D. 151,792	11/1948	Smith	D8/72
D. 203,355	12/1965	Kuziak	D8/72
D. 236,153	7/1975	Hogg et al.	D15/140
D. 236,941	9/1975	Seaverns	D8/72 X
2,106,525	1/1938	Henry	269/71 X



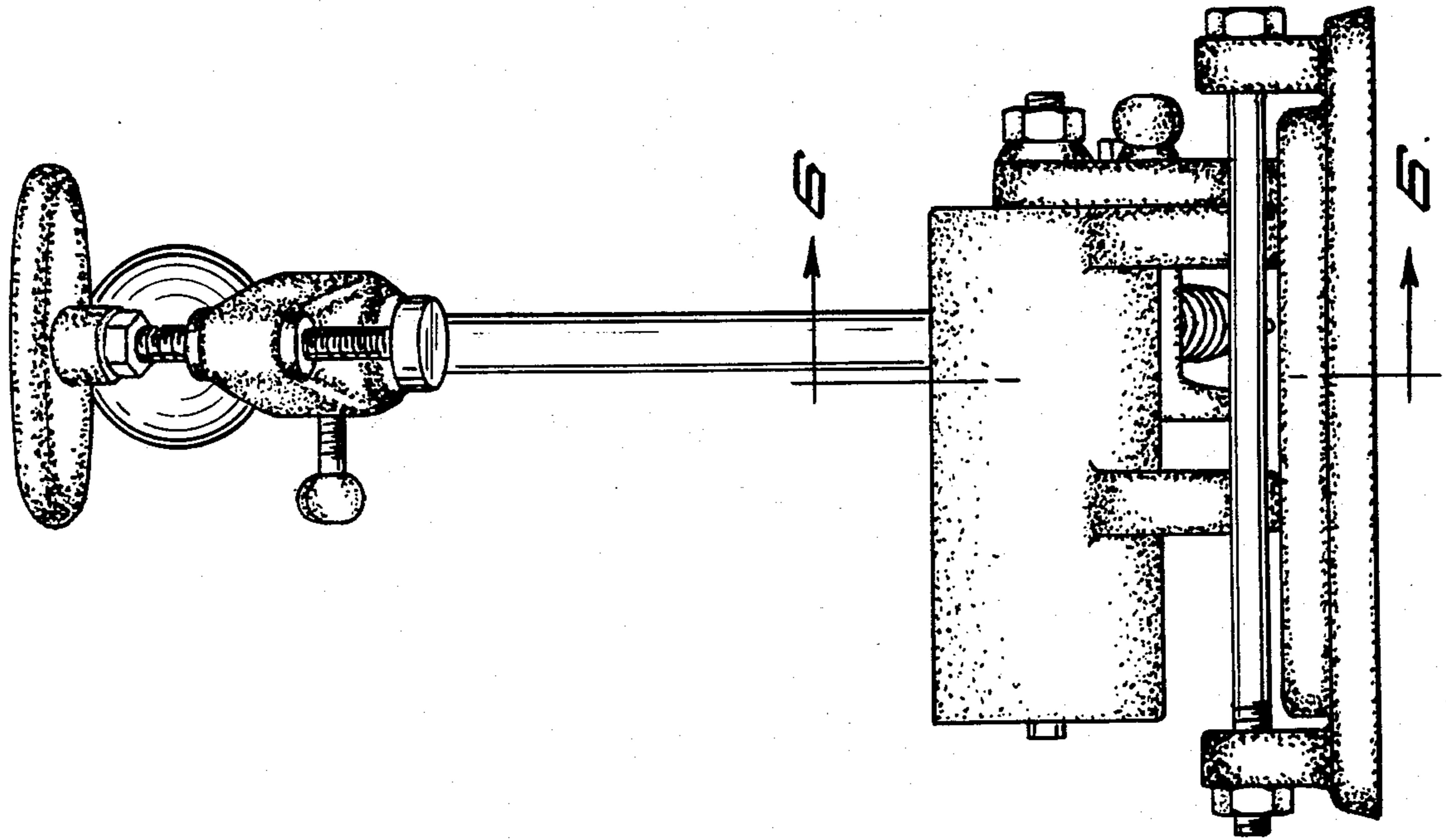


FIG. 2

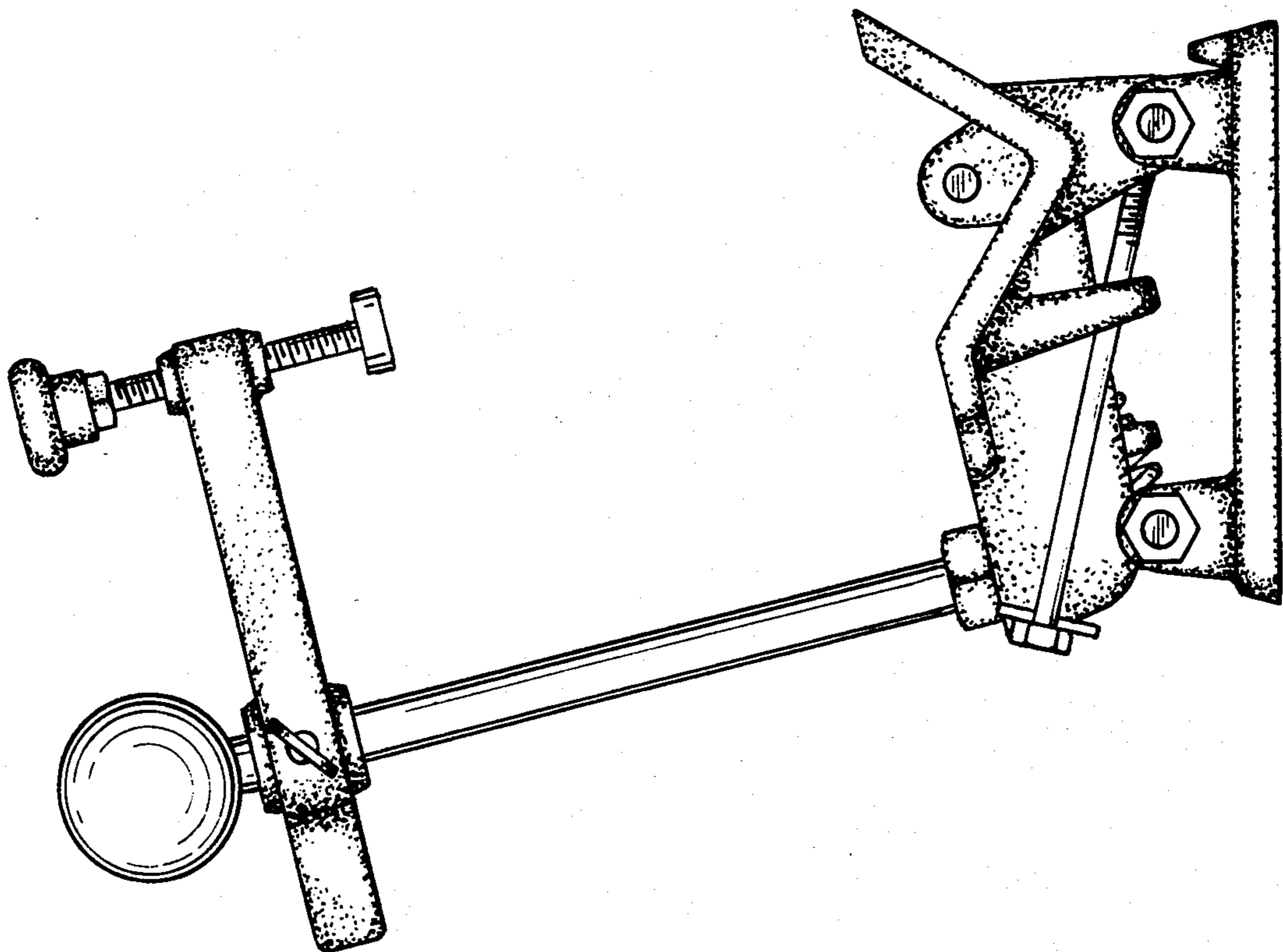
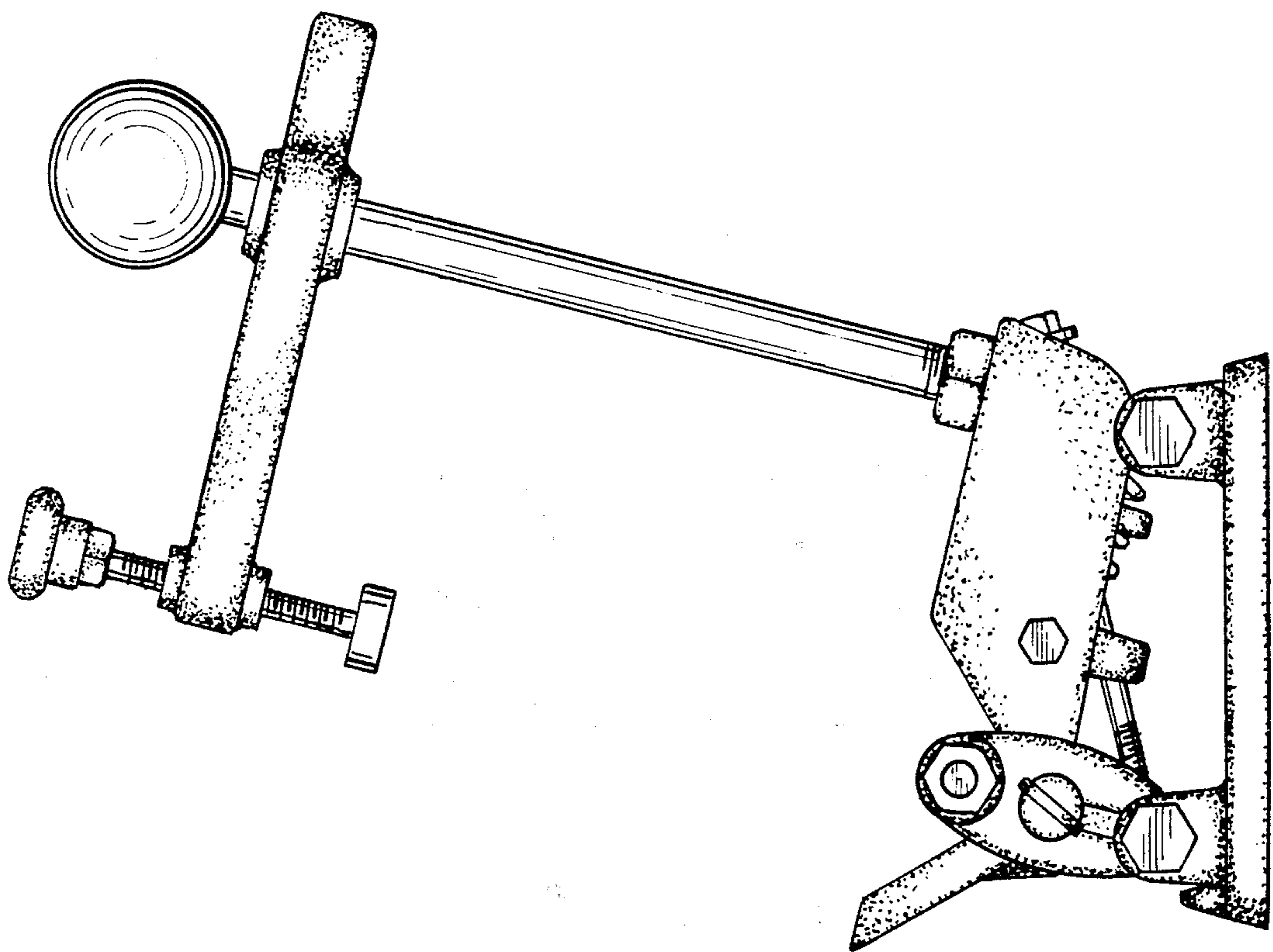
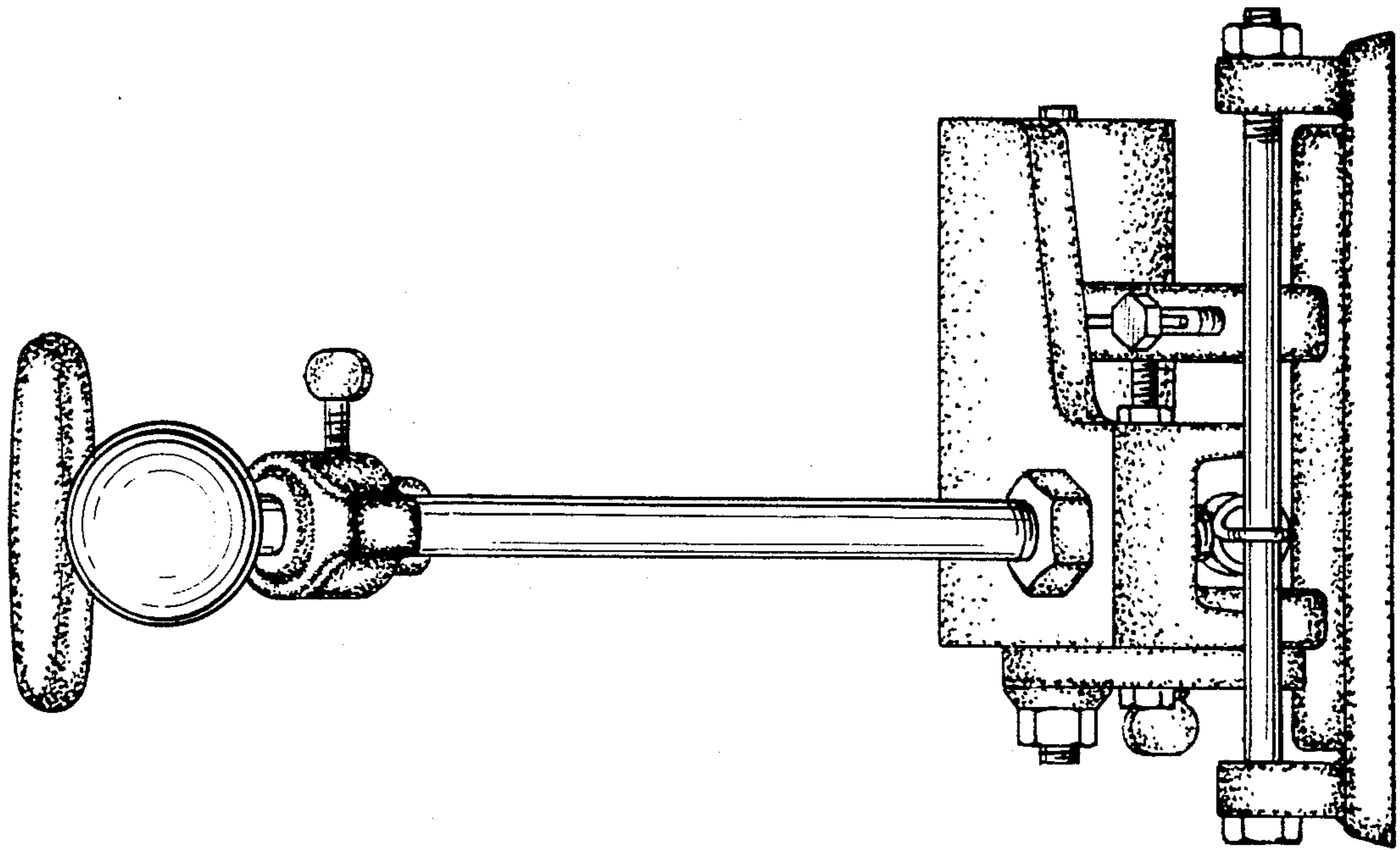


FIG. 1



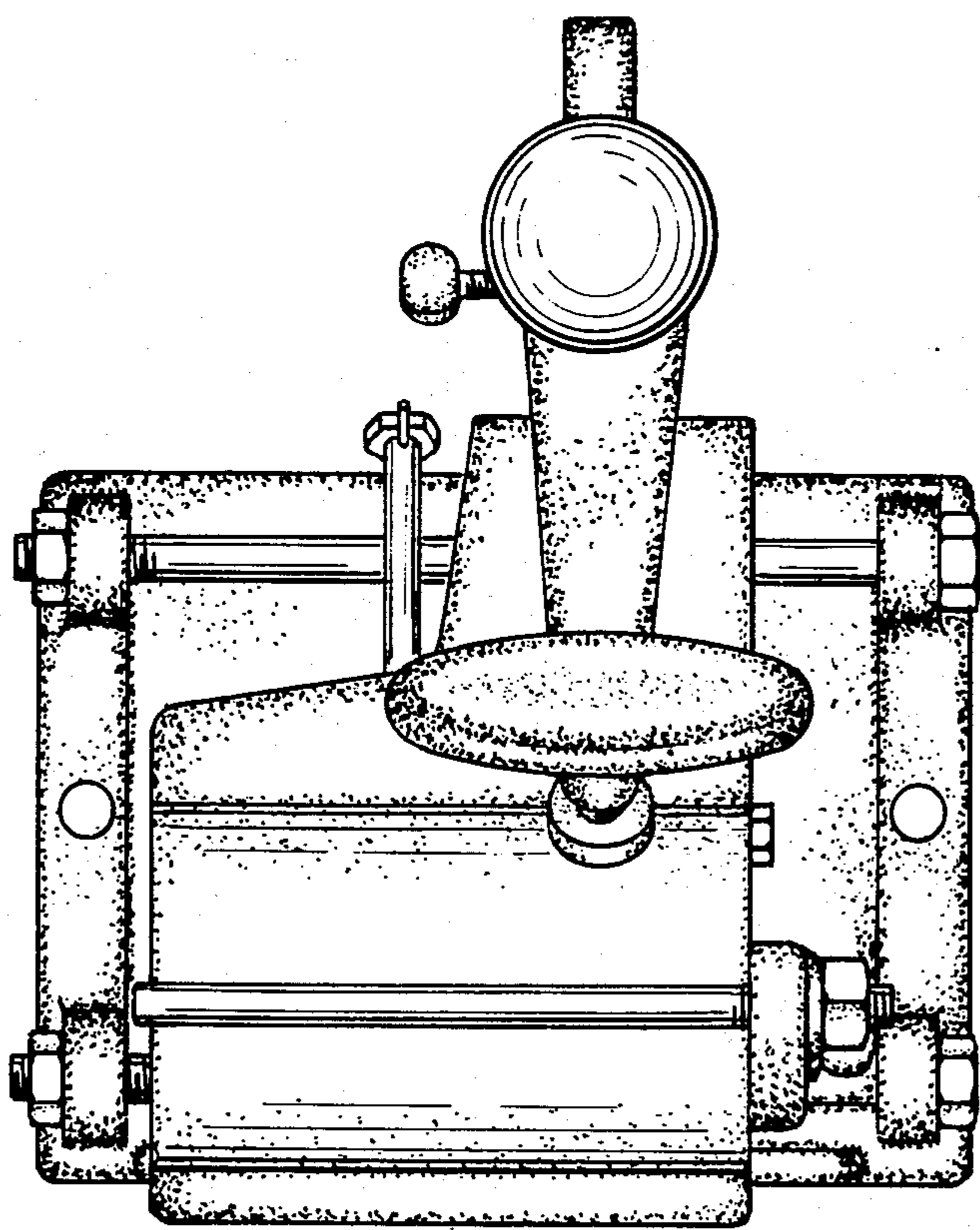


FIG. 5

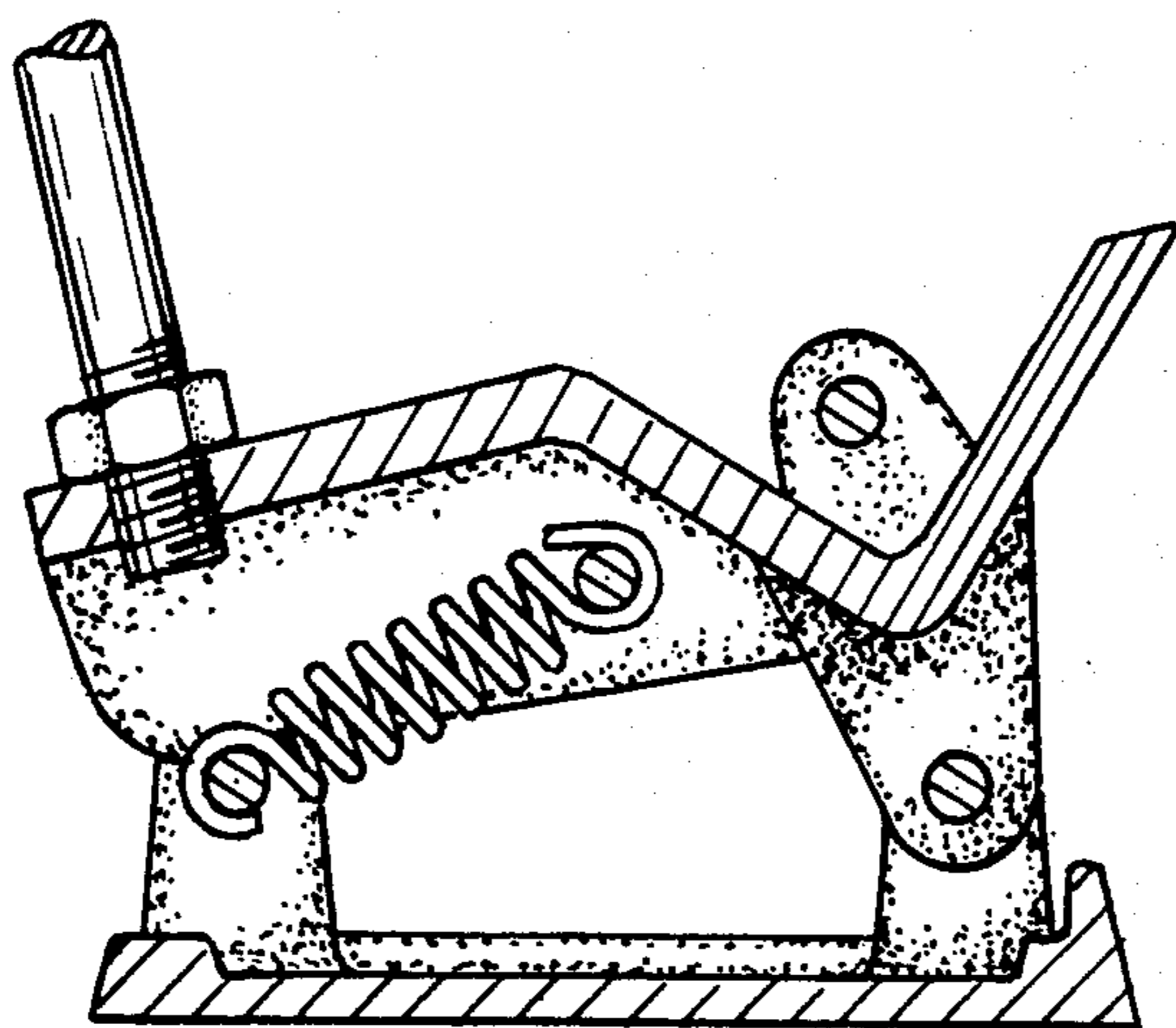


FIG. 6