

[54] COMBINED BARBECUE GRILL AND SPIT

[76] Inventor: Ming K. Chan, 1st Floor, 58 Hung To Road, Kowloon, Hong Kong

[**] Term: 14 Years

[21] Appl. No.: 695,619

[22] Filed: Jan. 28, 1985

[30] Foreign Application Priority Data

Sep. 5, 1984 [GB] United Kingdom 1021907

[52] U.S. Cl. D7/337

[58] Field of Search D7/332, 337, 338, 347, D7/348; 126/275 R, 25 AA, 25 A, 25 B, 25 C, 25 R, 29, 30, 9 R, 38, 41 R, 214 R, 275 R; 99/419, 421 HH

[56] References Cited

U.S. PATENT DOCUMENTS

- D. 234,286 2/1975 Makenny et al. D7/337
- 2,866,883 12/1958 Borden 126/25 B
- 3,060,918 10/1962 Meyer 126/25 A
- 3,610,225 10/1971 Schwantes 126/25 R

- 4,453,529 6/1984 Spencer et al. 126/25 R
- 4,457,290 7/1984 Edwards 126/25 R
- 4,524,751 6/1985 Hoglund 126/9 R

FOREIGN PATENT DOCUMENTS

- 534593 10/1955 Italy 99/399

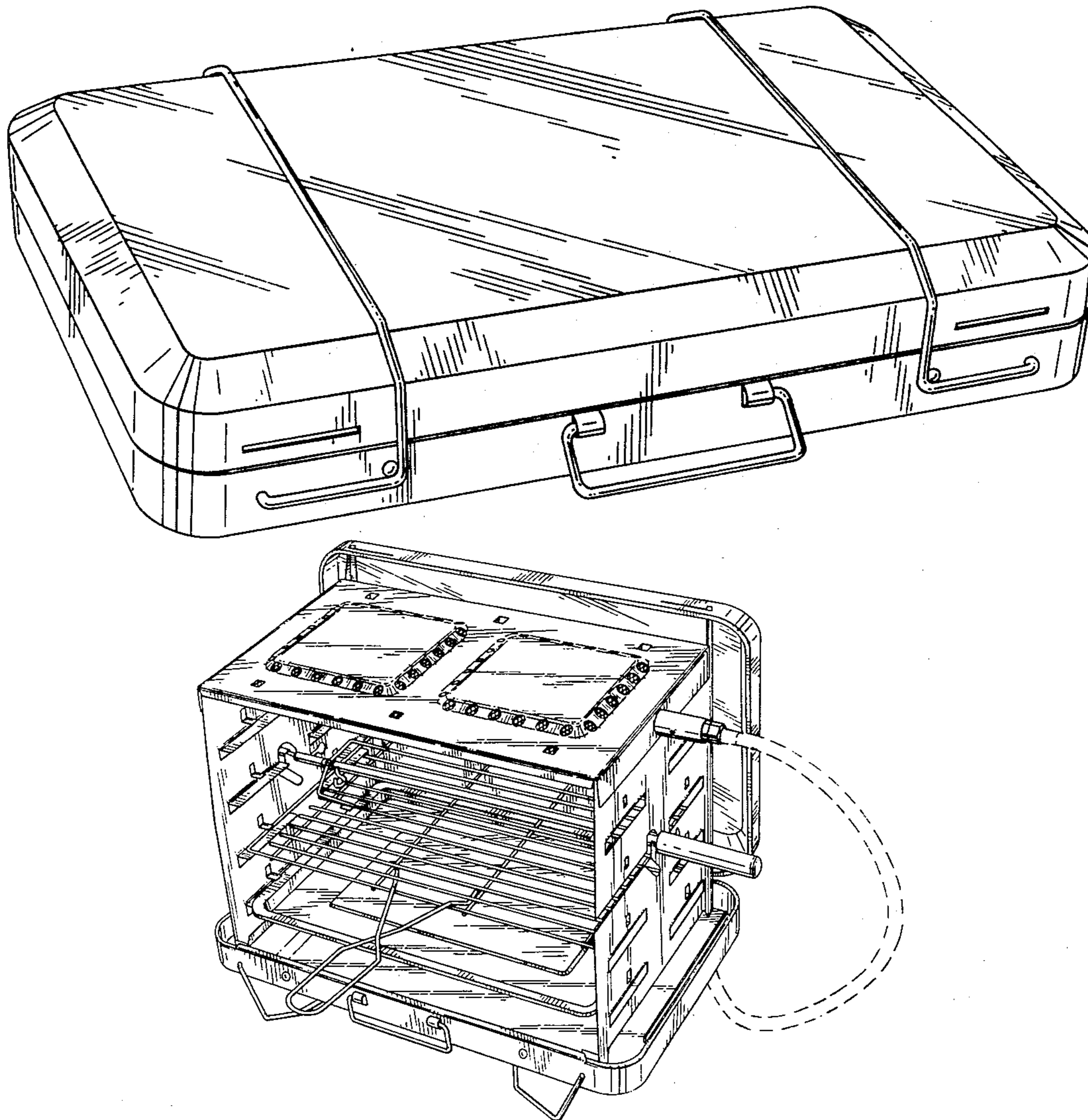
Primary Examiner—Wallace R. Burke
Assistant Examiner—Ruth E. Takemoto
Attorney, Agent, or Firm—Fay, Sharpe, Beall, Fagan, Minnich & McKee

[57] CLAIM

The ornamental design for a combined barbecue grill and spit, substantially as shown and described.

DESCRIPTION

FIG. 1 is a top, front, and right side perspective view of a combined barbecue grill and spit showing my new design, the hose is shown in broken lines for illustrative purposes only and forms no part of the claimed design; FIG. 2 is a bottom, rear and left side perspective view thereof; FIG. 3 is a top, front, and left side perspective view thereof in a closed position.



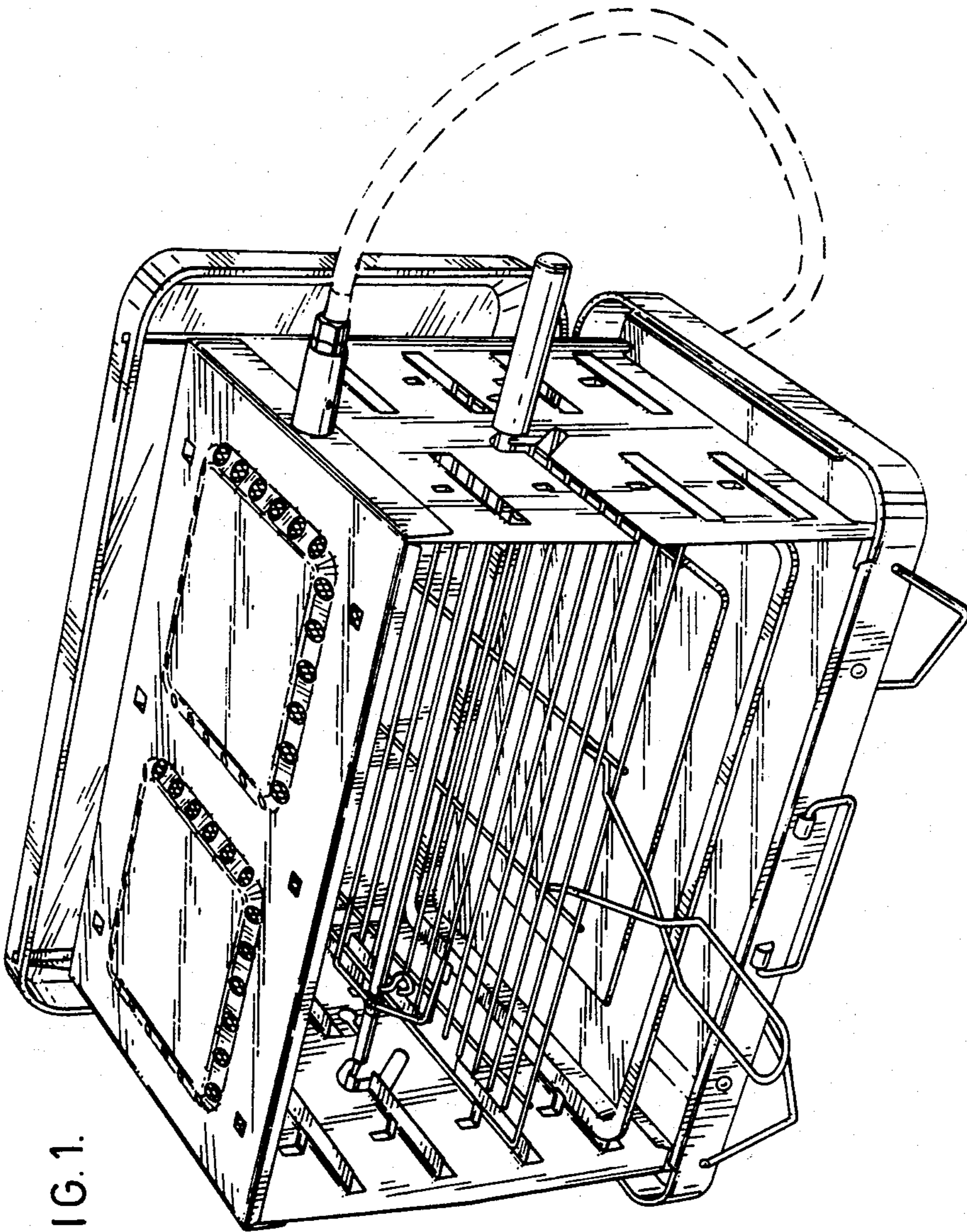


FIG. 1.

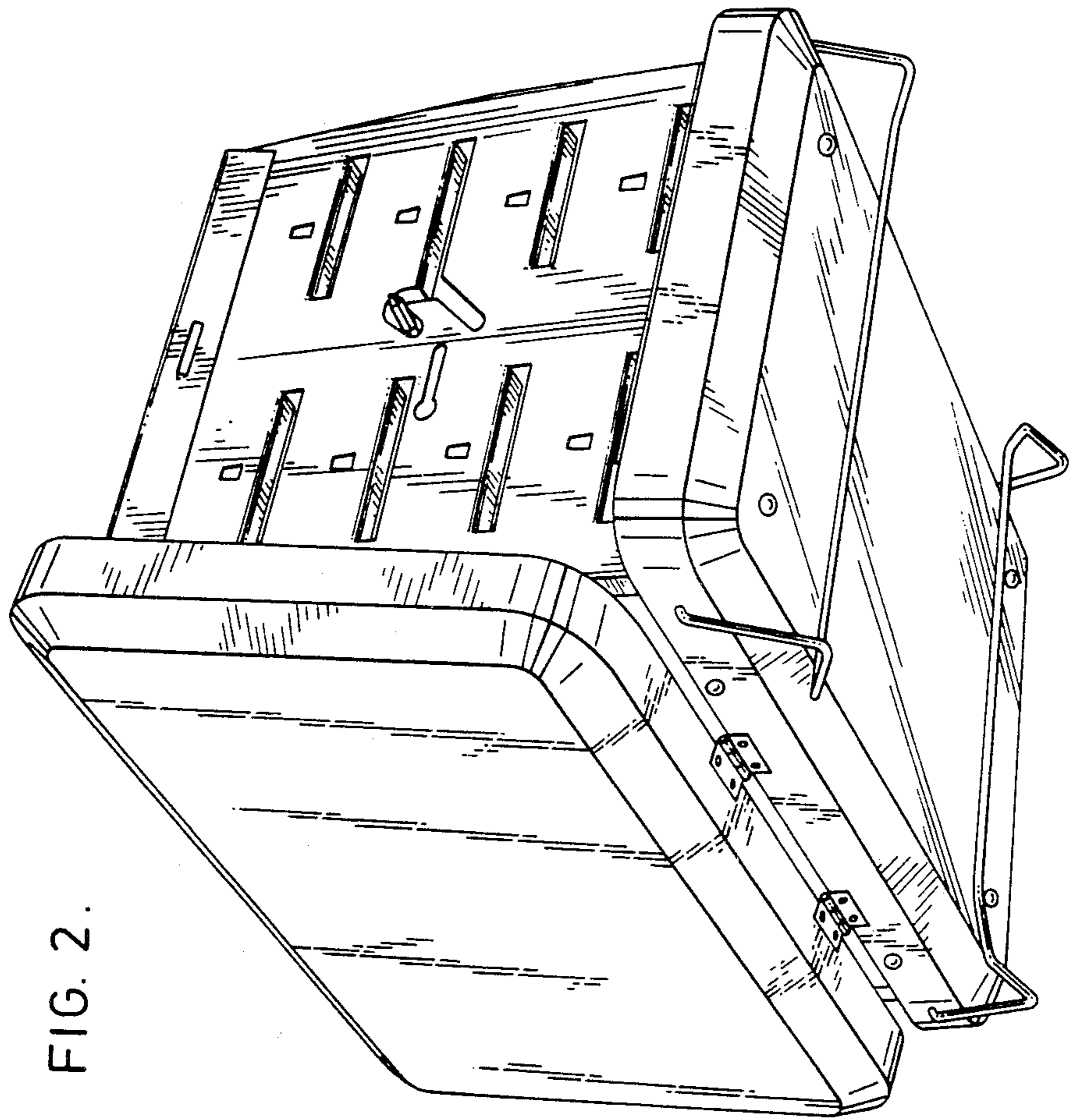


FIG. 2.

FIG. 3.

