

[54] QUICHE PAN OR THE LIKE

[75] Inventor: Janice L. Schmidt, Providence, R.I.

[73] Assignee: Dart Industries Inc., Northbrook, Ill.

[\*\*] Term: 14 Years

[21] Appl. No.: 698,709

[22] Filed: Feb. 6, 1985

[52] U.S. Cl. .... D7/28; D7/354

[58] Field of Search ..... D7/23, 28, 20, 17, 29-32, D7/354, 360, 14, 3; D9/351, 398, 429

[56] References Cited

U.S. PATENT DOCUMENTS

D. 1,804	7/1863	Mishler .....	D7/354
D. 270,323	8/1983	Powers .....	D7/360 X
D. 280,588	9/1985	Schrage .....	D7/354
1,974,443	9/1934	Bean .....	D7/23 X

OTHER PUBLICATIONS

*Woodward & Lothrop*, p. 2, French White by Corning, item 3D at right, Fluted Walls, Quiche/Pie Plate.

*The Pfaltzgraff Co. Flyer Supplement to HFD*, Jun. 27, 1977, Sec. I, item 03-233 right (inside flap), "Hearth" Pattern, Quiche-Stoneware Bakeware (Flyer in D7-3). *Tableware International*, Mar., 1983 cat., p. 37, lower right panel, Uniteam Adv., Double Bead Rims on Bowls.

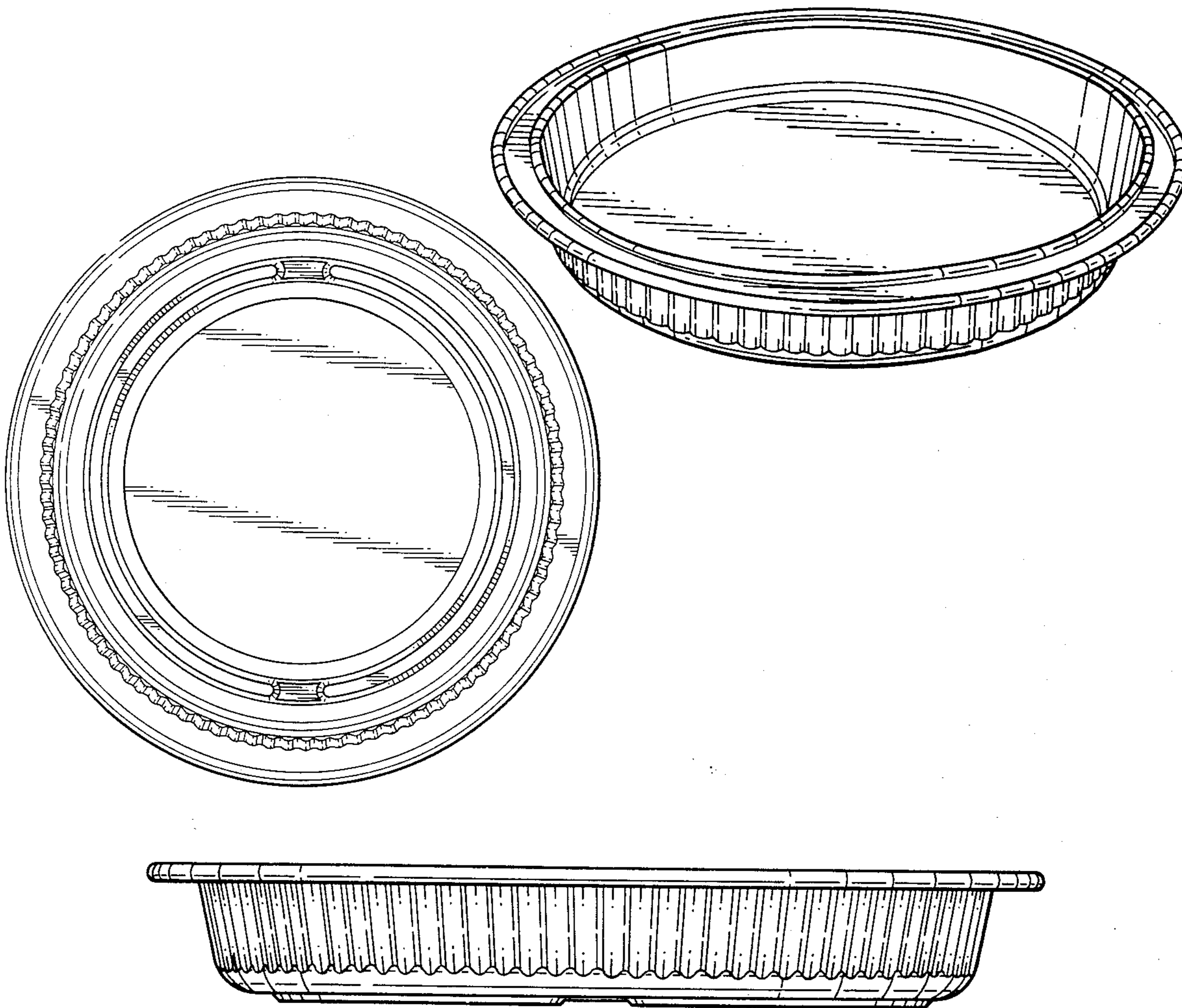
*Primary Examiner*—Winifred E. Herrmann  
*Attorney, Agent, or Firm*—John A. Doninger

[57] CLAIM

The ornamental design for a quiche pan or the like, substantially as shown.

DESCRIPTION

FIG. 1 is a top perspective view of a quiche pan or the like showing my new design;  
FIG. 2 is a side elevation thereof;  
FIG. 3 is a top plan view thereof;  
FIG. 4 is a bottom plan view thereof;  
FIG. 5 is a cross-sectional view taken along line 5—5 of FIG. 3.



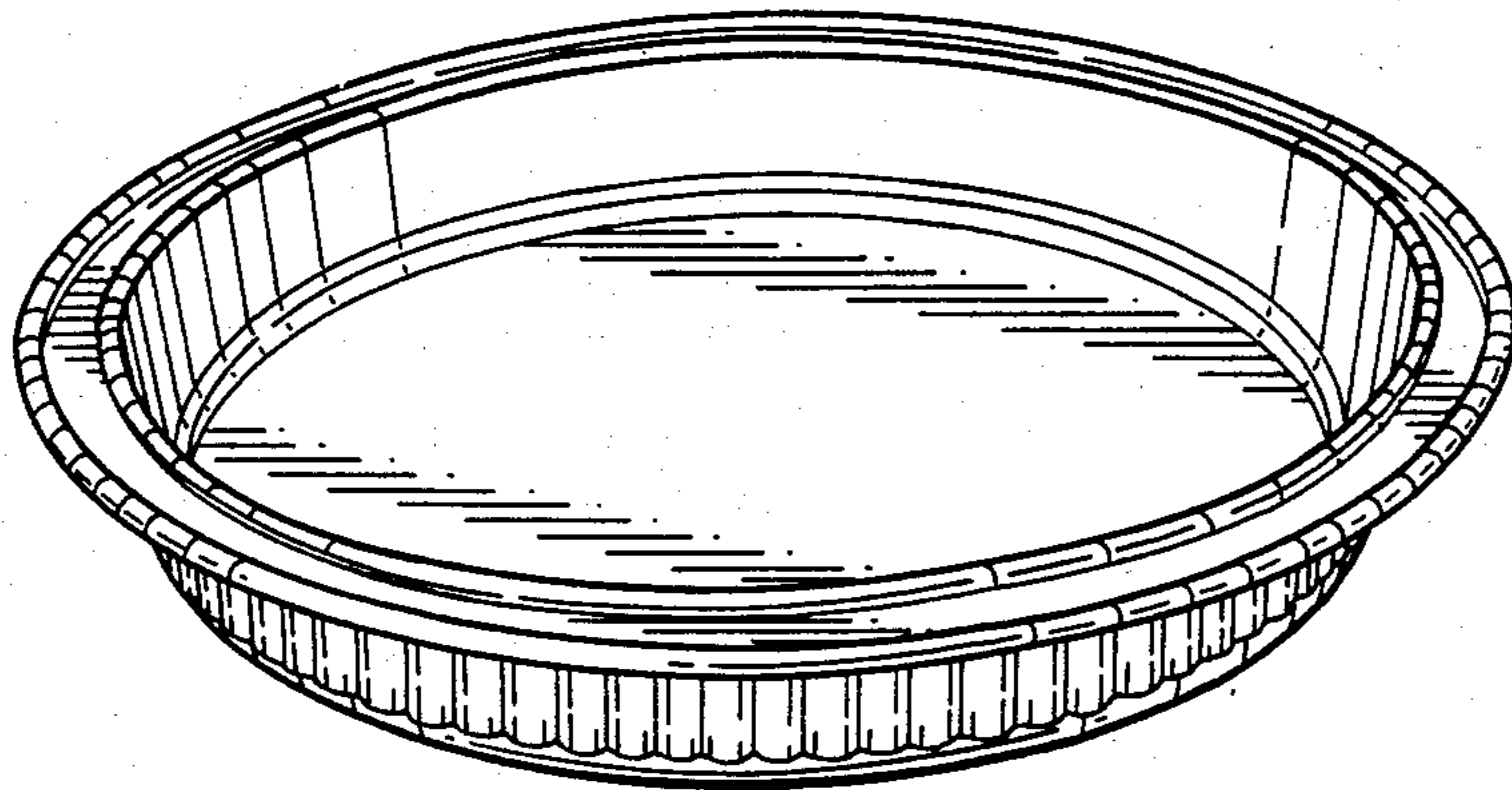


FIG. 1

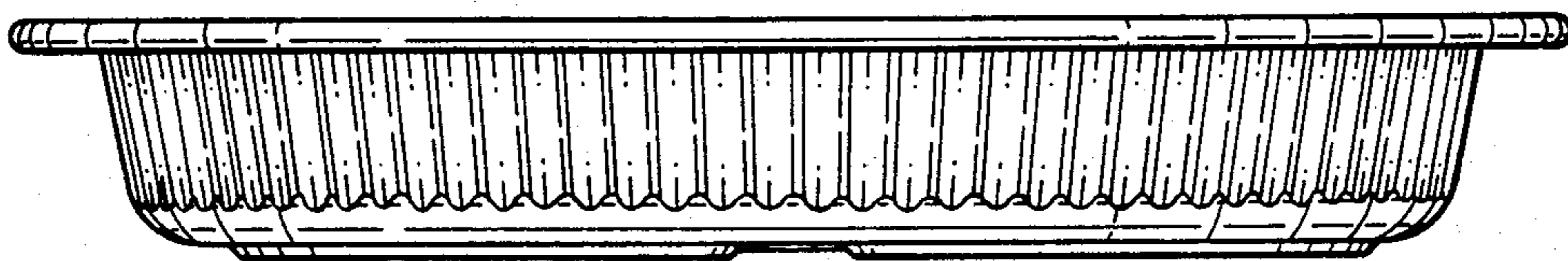


FIG. 2

↑ 5

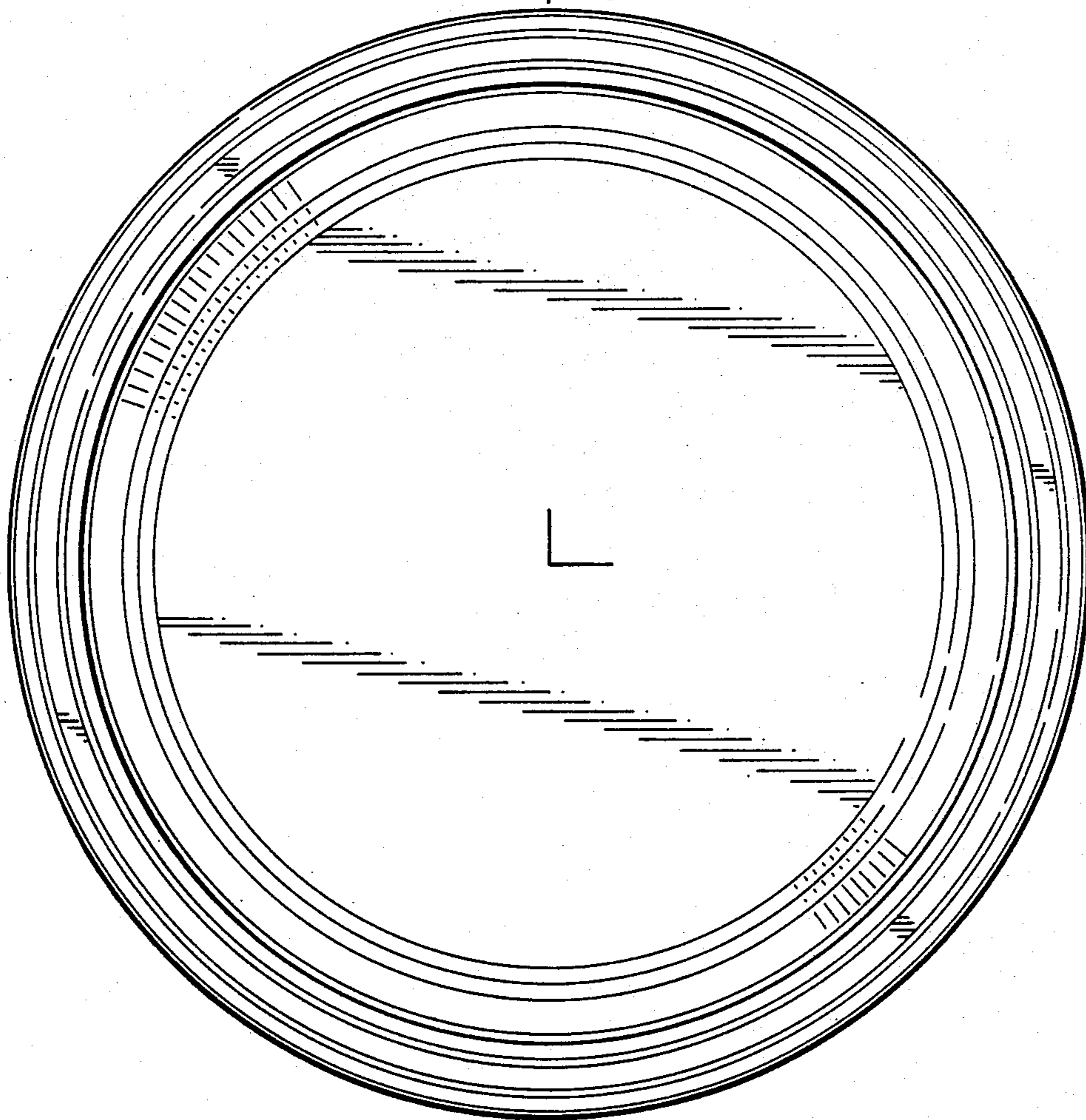


FIG. 3

↑ 5

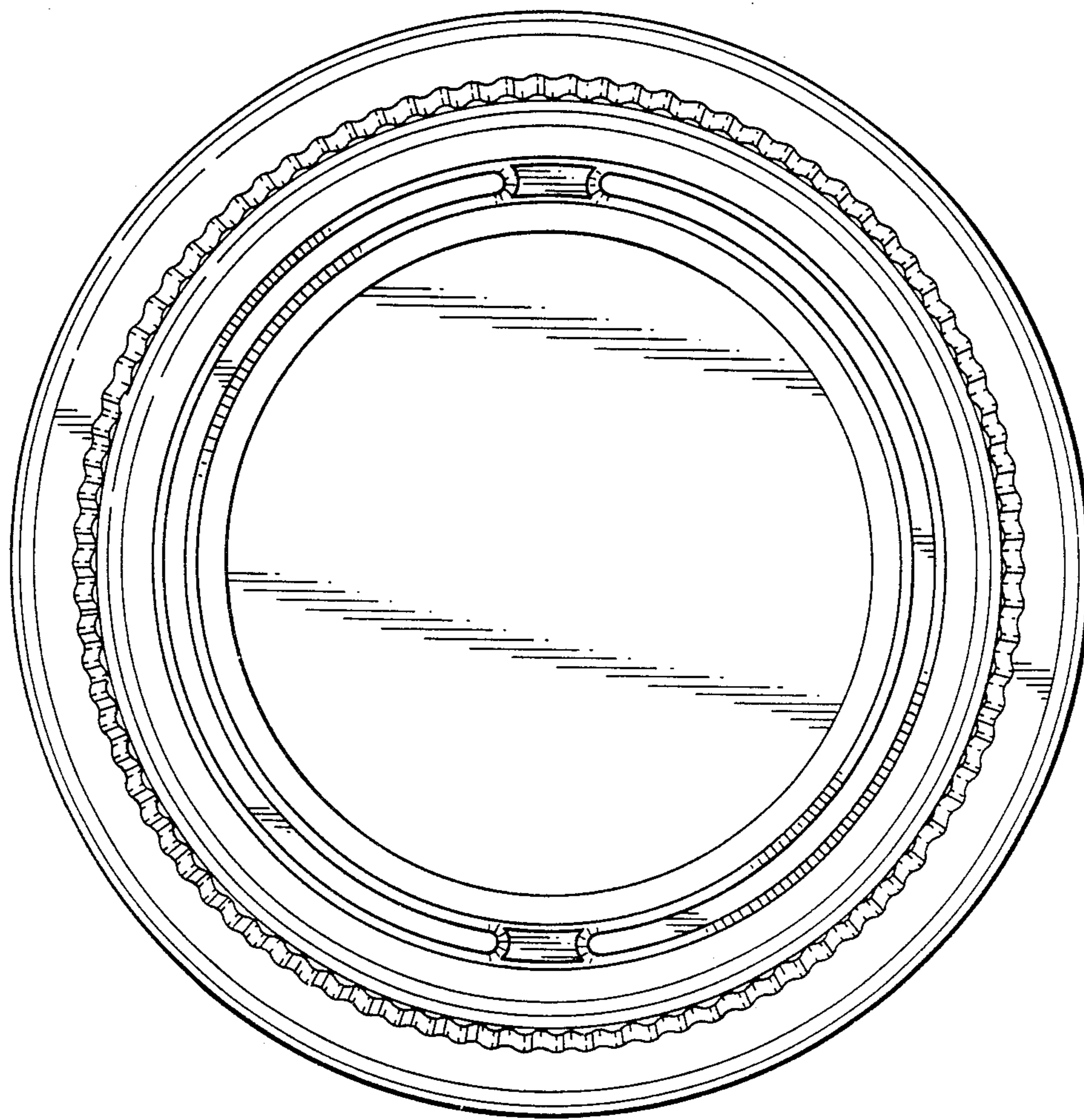


FIG. 4

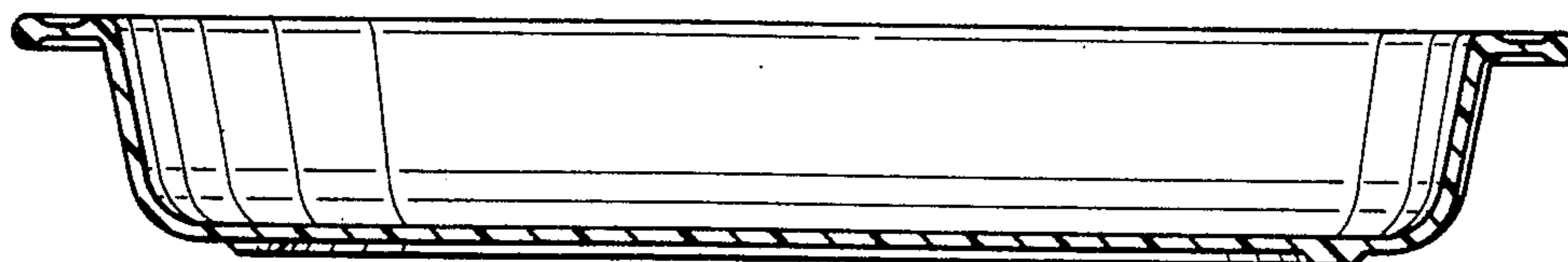


FIG. 5