

[54] CORDLOCK FOR RAISABLE BLIND

[76] Inventor: Petrus J. Hennequin, Oldenoord 52, Rotterdam, Netherlands

[**] Term: 14 Years

[21] Appl. No.: 617,618

[22] Filed: Jun. 5, 1984

[30] Foreign Application Priority Data

Dec. 5, 1983 [CH] Switzerland DM/003169

[52] U.S. Cl. D6/580

[58] Field of Search D6/581, 580, 577, 575; 160/178 C, 178 R, 178 B, 84 R

[56] References Cited

U.S. PATENT DOCUMENTS

- D. 275,828 10/1984 Brolin D6/580
- D. 277,062 1/1985 Brolin D6/580
- 3,253,645 5/1966 Stall 160/178 R
- 4,161,204 7/1979 Kurz 160/84 R X
- 4,476,909 10/1984 Anderle et al. 160/178 C

FOREIGN PATENT DOCUMENTS

0059807 9/1982 European Pat. Off. 160/178 C

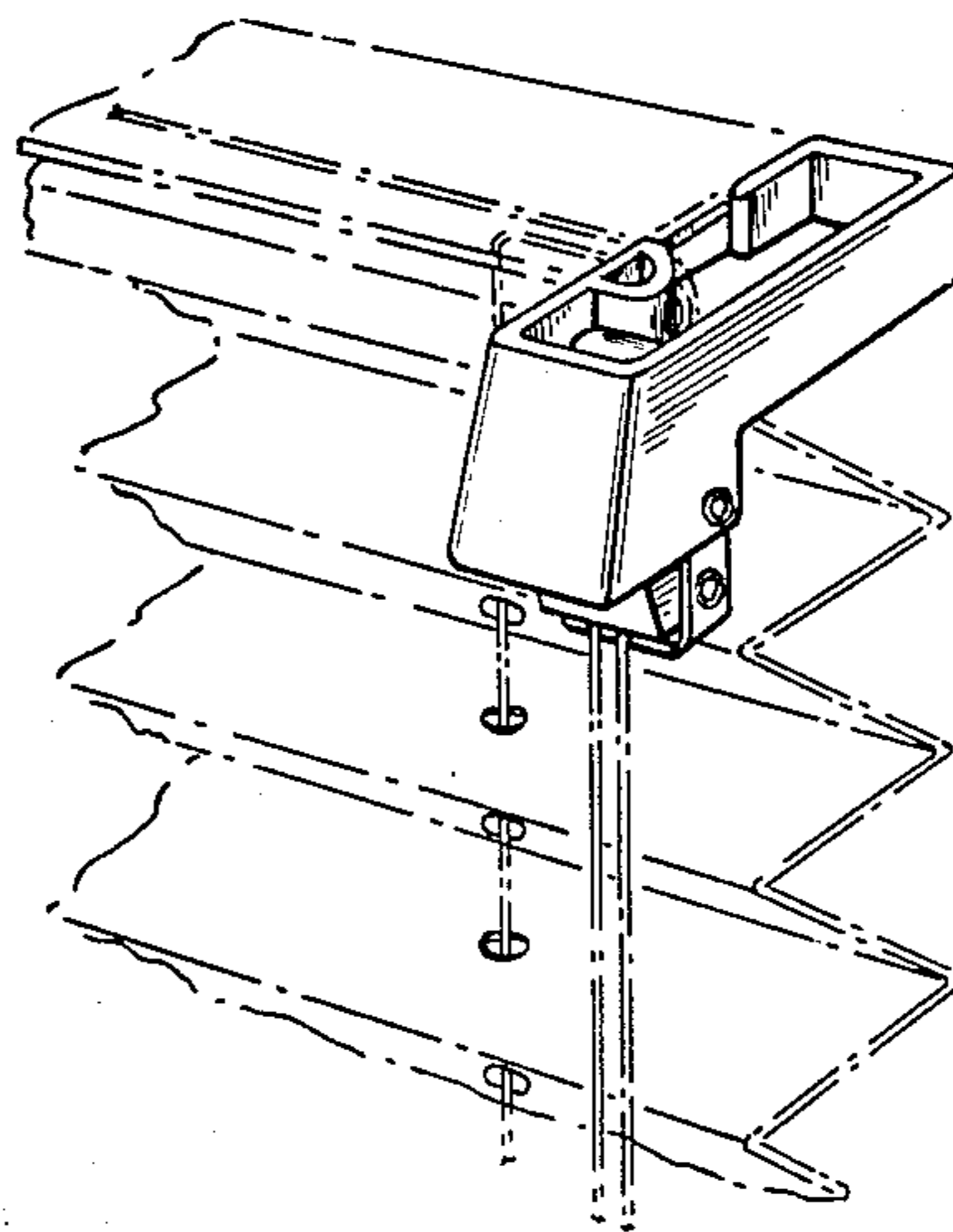
Primary Examiner—Bernard Ansher
Assistant Examiner—Theodore M. Shooman
Attorney, Agent, or Firm—Pennie & Edmonds

[57] CLAIM

The ornamental design for a cordlock for raisable blind, as shown.

DESCRIPTION

FIG. 1 is a top, front and right side perspective view of a cordlock for a raisable blind showing my new design; FIG. 2 is a bottom and left side perspective view thereof; FIG. 3 is a top plan view thereof; FIG. 4 is a rear elevational view thereof; and, FIG. 5 is a front elevational view thereof. The broken line showing of the pleated blind assembly in FIGS. 1 and 5 is for illustrative purposes only and forms no part of the claimed design.



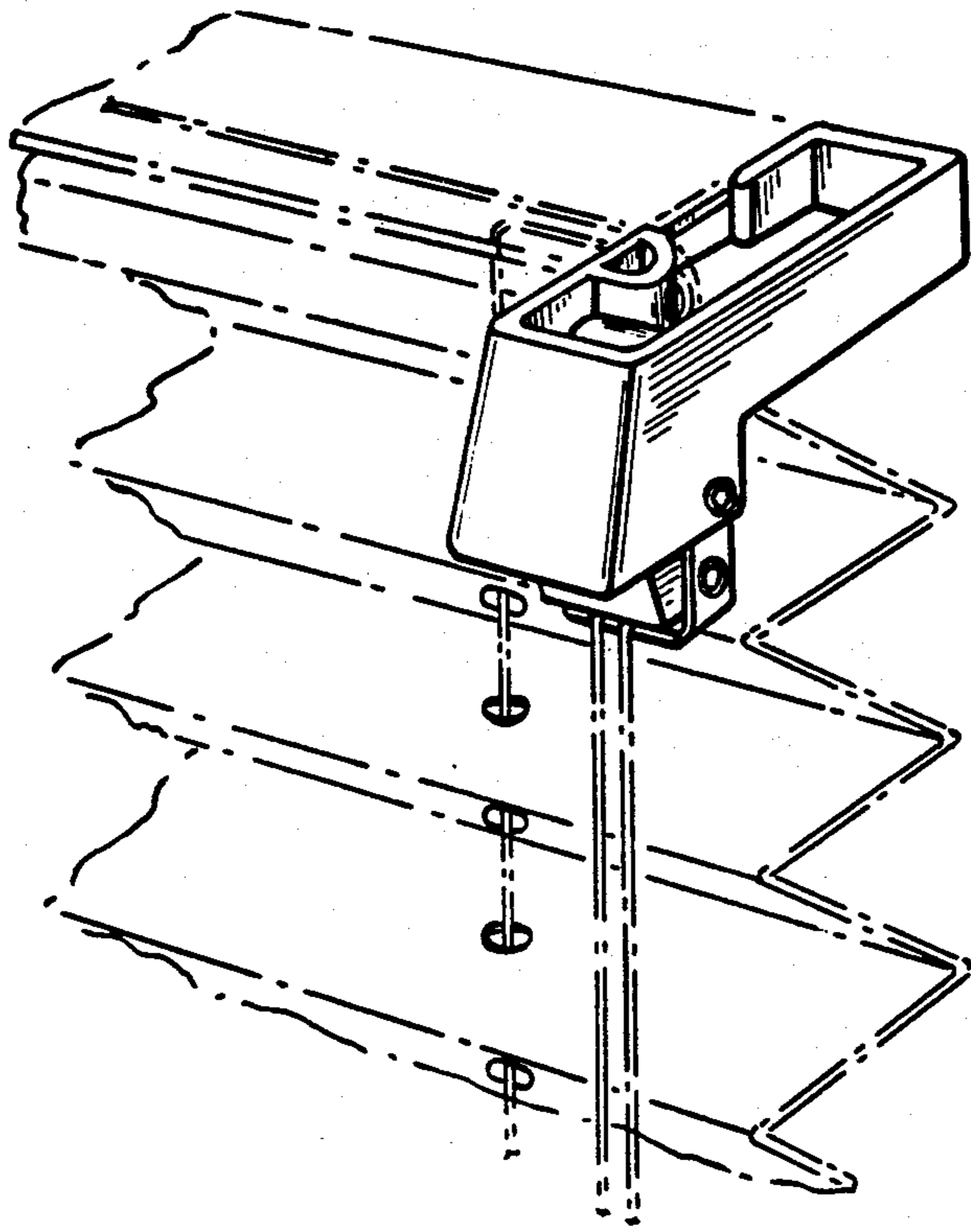


FIG. 1

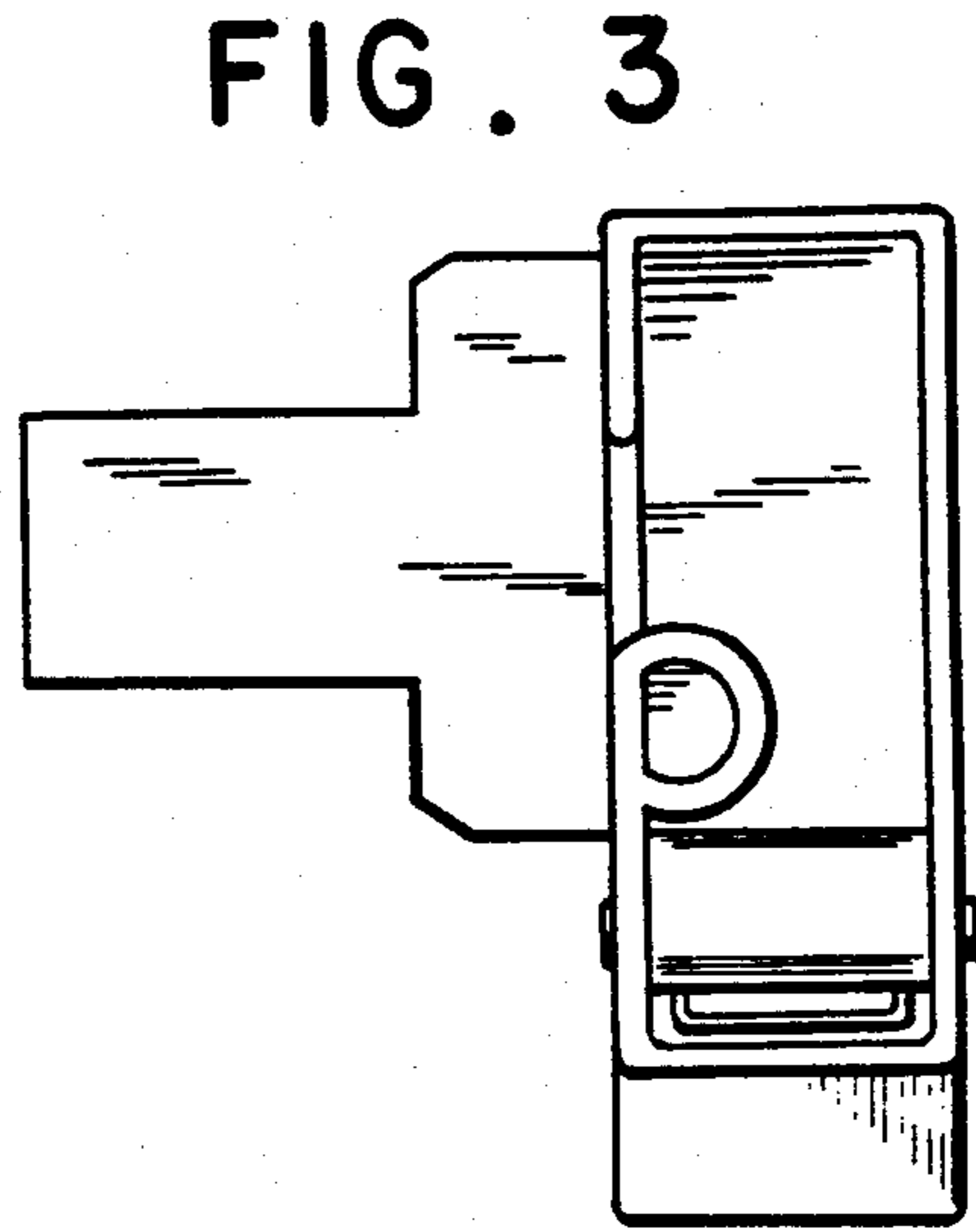


FIG. 3

FIG. 2

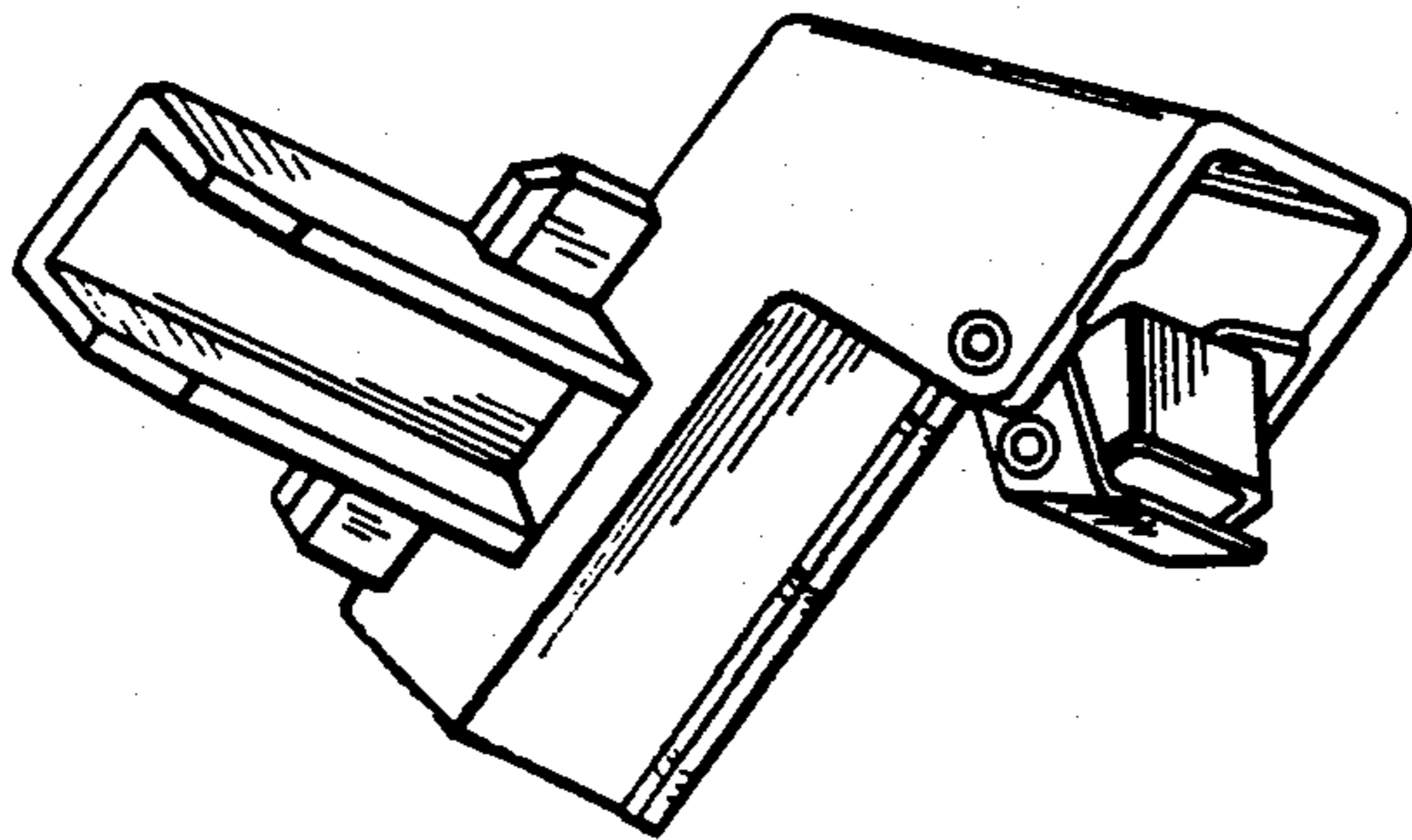


FIG. 4

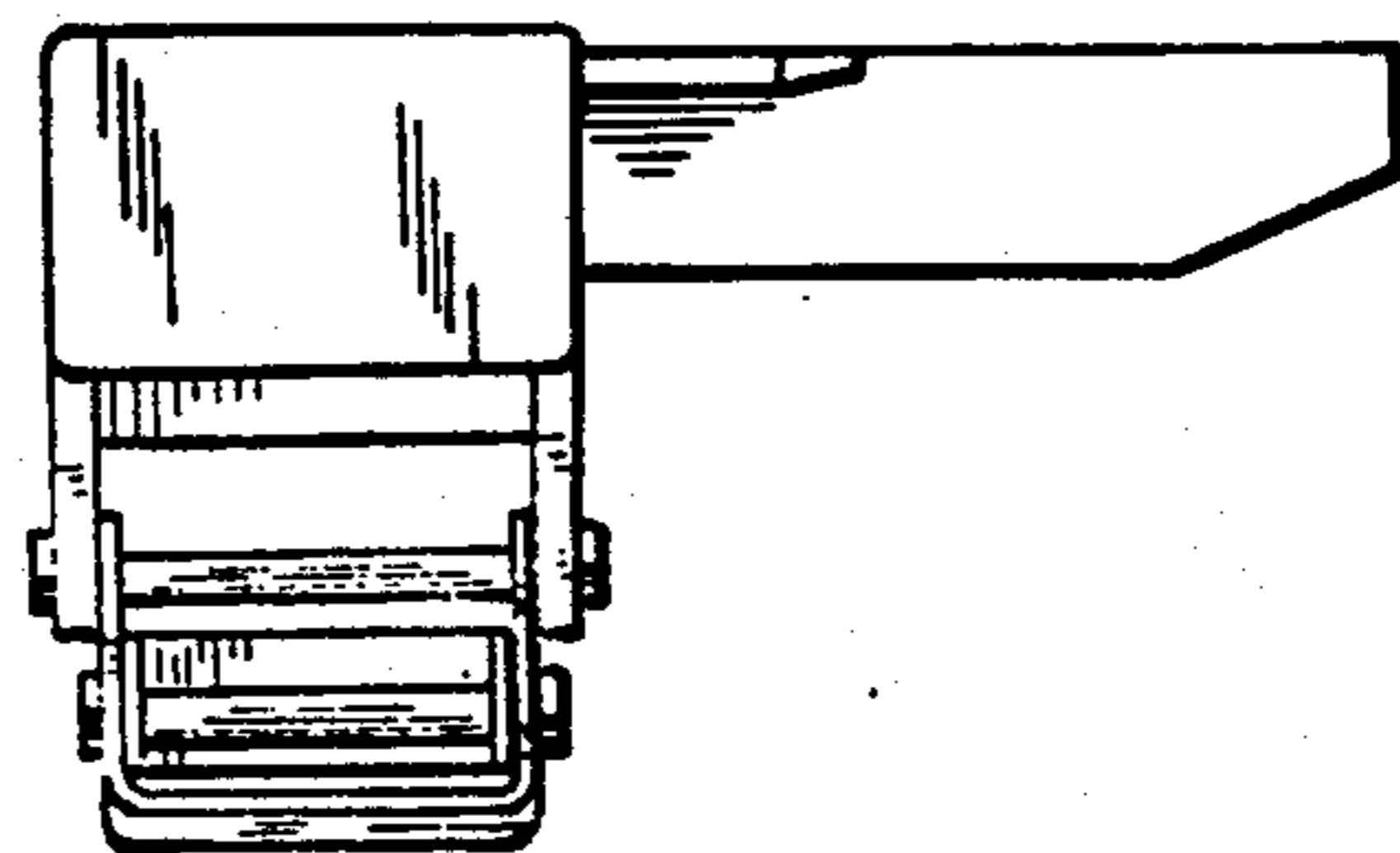


FIG. 5

