

[54] TABLE

[76] Inventor: Kevin T. Dunwell, 729 9th St., Santa Monica, Calif. 90402

[**] Term: 14 Years

[21] Appl. No.: 692,943

[22] Filed: Jan. 17, 1985

[52] U.S. Cl. D6/487; D6/486; D21/37

[58] Field of Search D6/449, 455, 480, 486, D6/487; D21/14, 37

[56] References Cited

U.S. PATENT DOCUMENTS

D. 89,946	5/1933	Brown	D6/487
D. 223,539	5/1972	Milu	D21/37
D. 233,088	10/1974	Skarky	D6/486 X
D. 233,278	10/1974	Wilbourn	D21/37 X
D. 233,497	11/1974	Zelkowitz	D21/37
D. 248,703	8/1978	Morgan, Jr.	D6/487 X

D. 266,296	9/1982	Bergquist et al.	D6/481
D. 267,298	12/1982	Blumenthal	D6/487

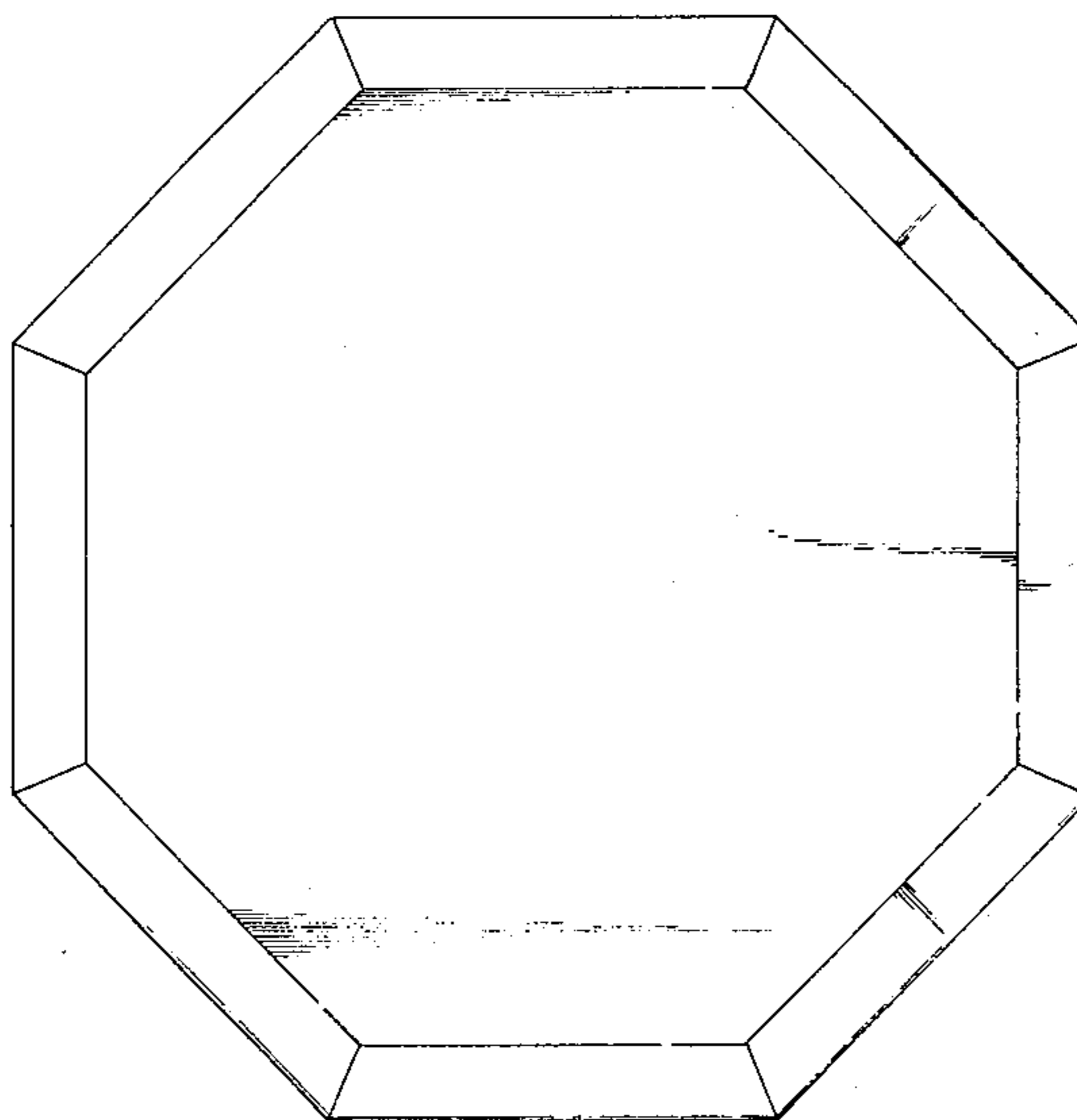
Primary Examiner—Bruce W. Dunkins
Attorney, Agent, or Firm—Lyon & Lyon

[57] CLAIM

The ornamental design for a table, as shown and described.

DESCRIPTION

FIG. 1 is a top plan view of a table showing my design; FIG. 2 is a side elevational view; FIG. 3 is a bottom plan view; FIG. 4 is a perspective view taken from above and wherein a portion of the top is broken away for convenience of illustration; FIG. 5 is a sectional view taken along the line 5—5 of FIG. 2 and wherein a portion of the top has been omitted for convenience of illustration; and, FIG. 6 is a sectional view taken along the line 6—6 of FIG. 4 and looking in the direction of the arrows thereof.



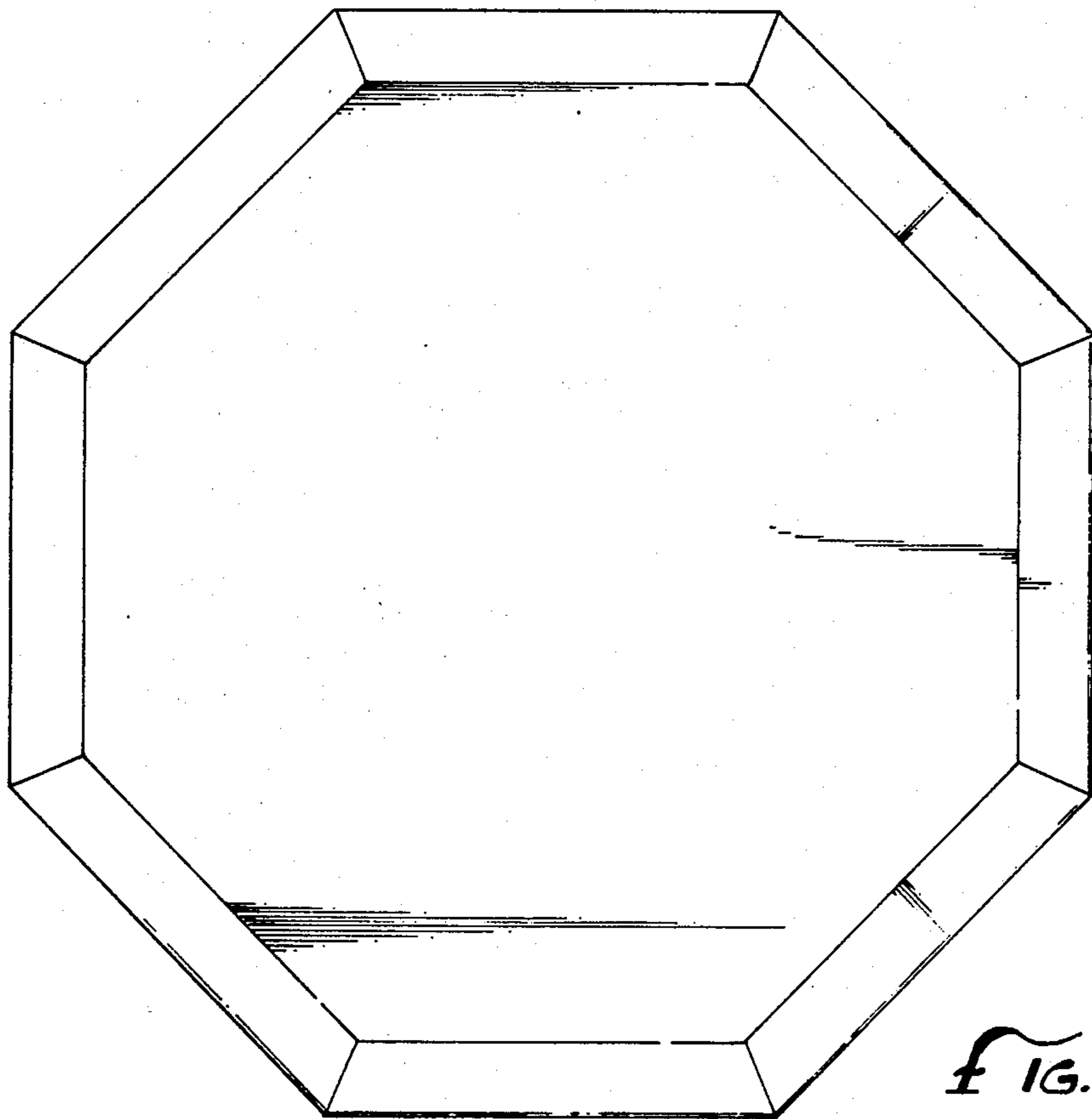


FIG. 1.

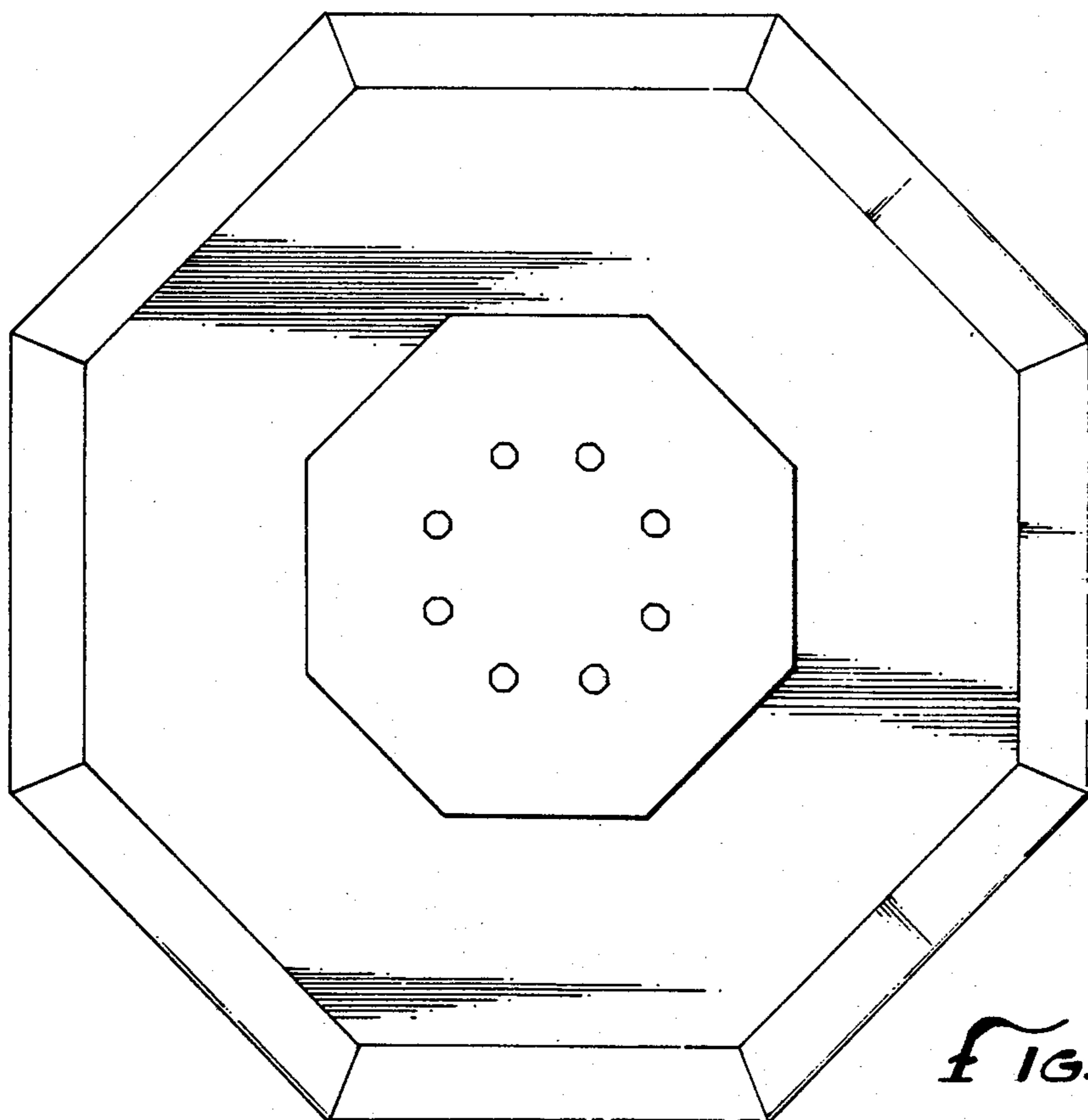


FIG. 3.

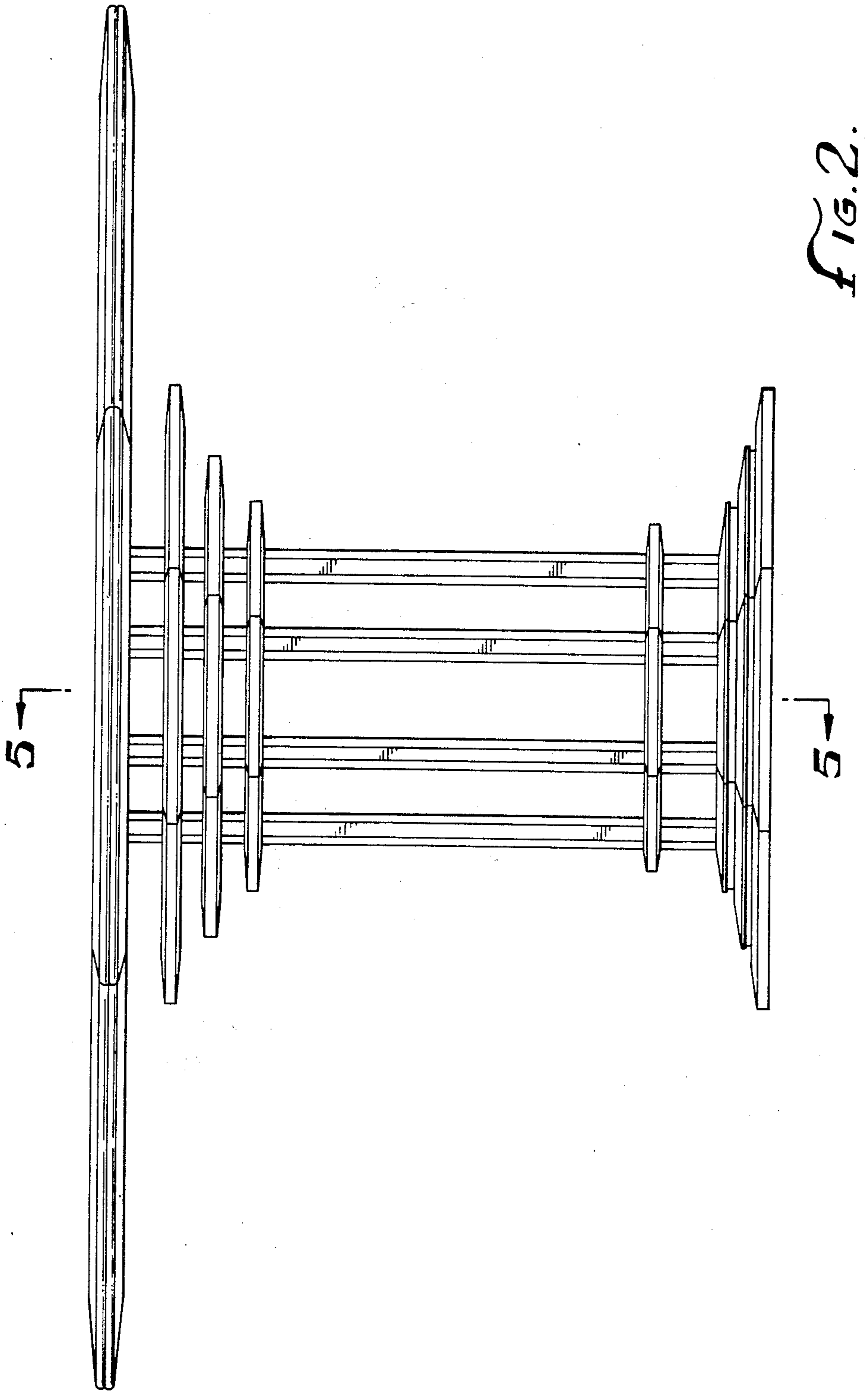


FIG. 2.

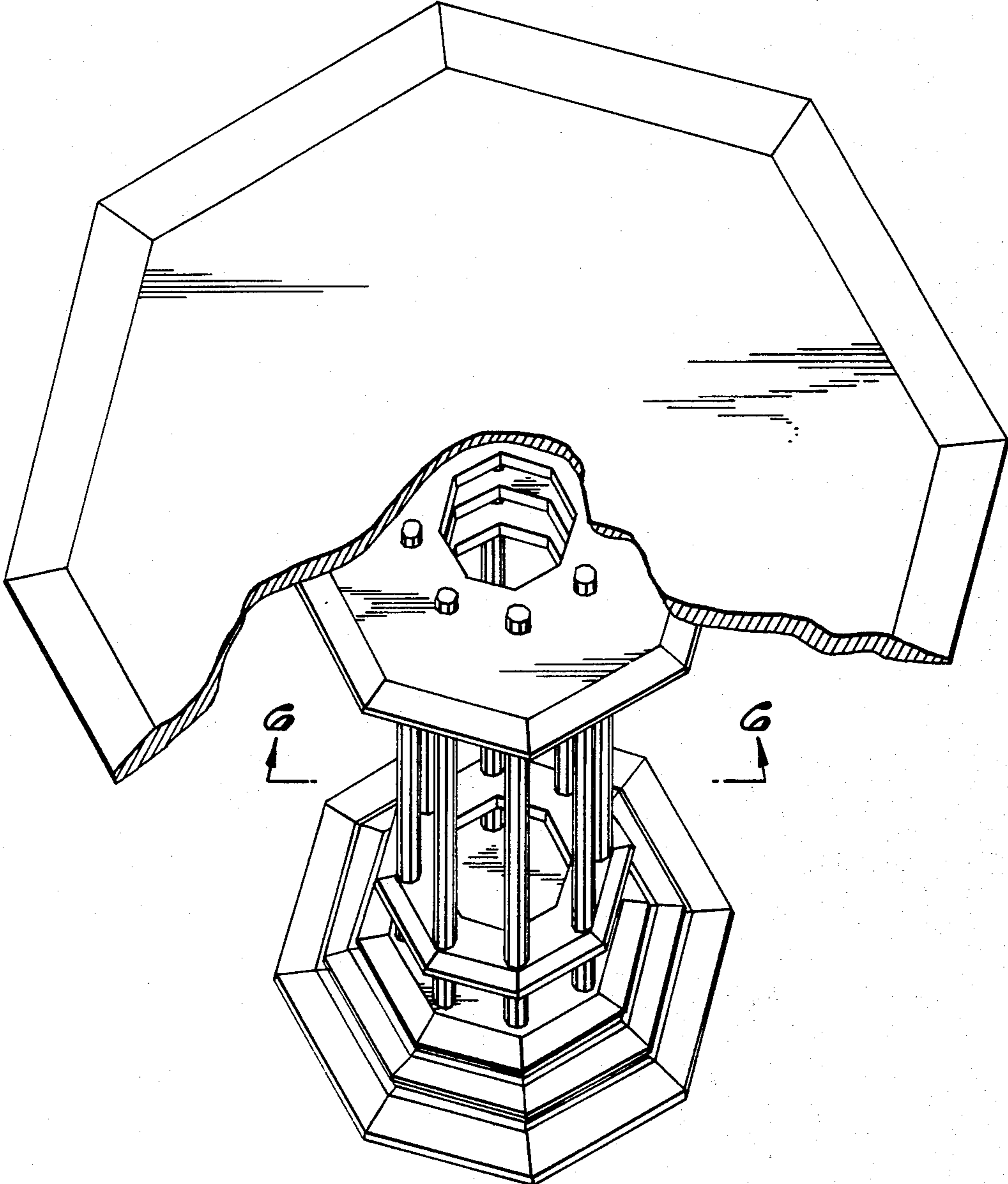


FIG. 4.

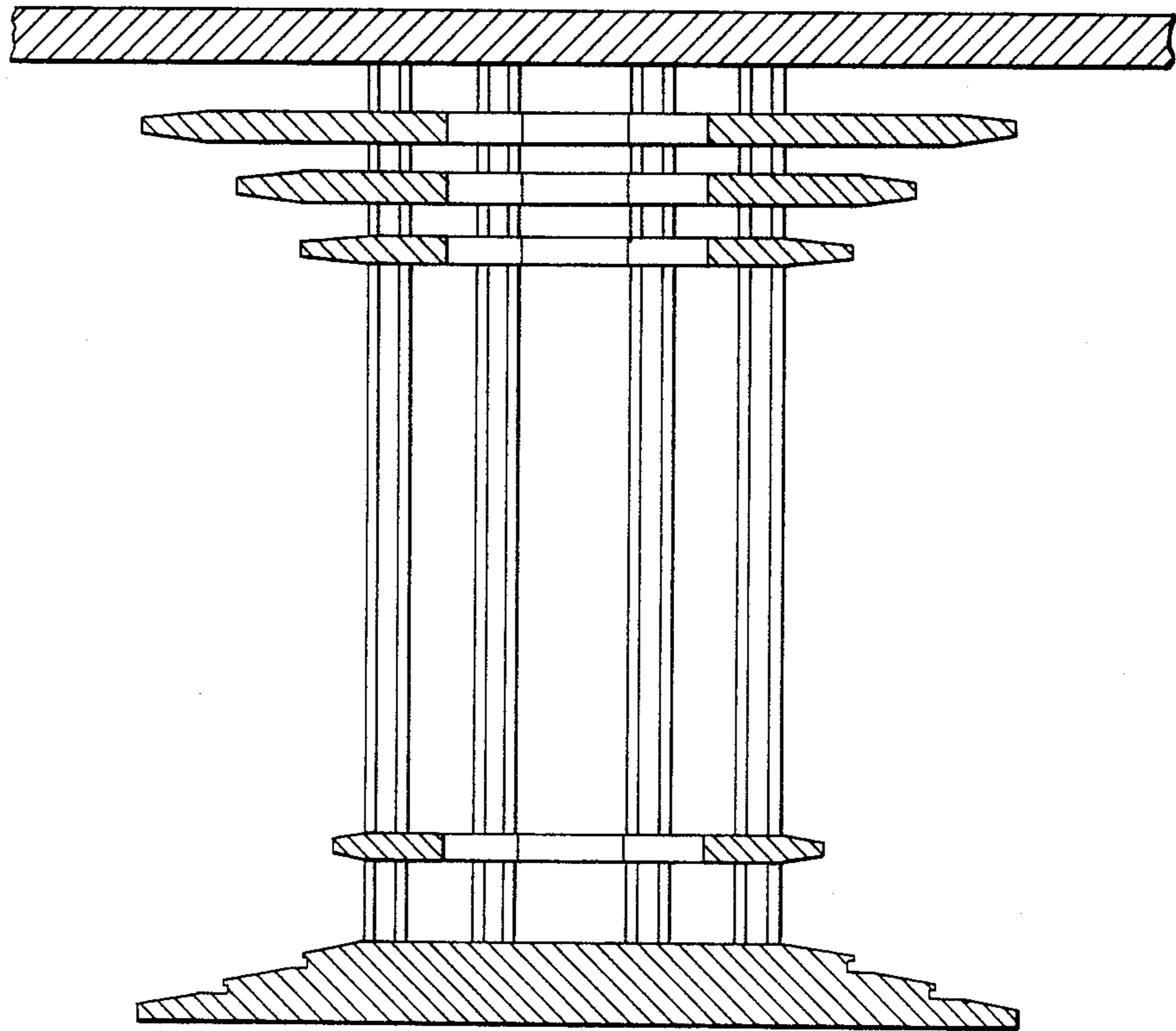


FIG. 5.

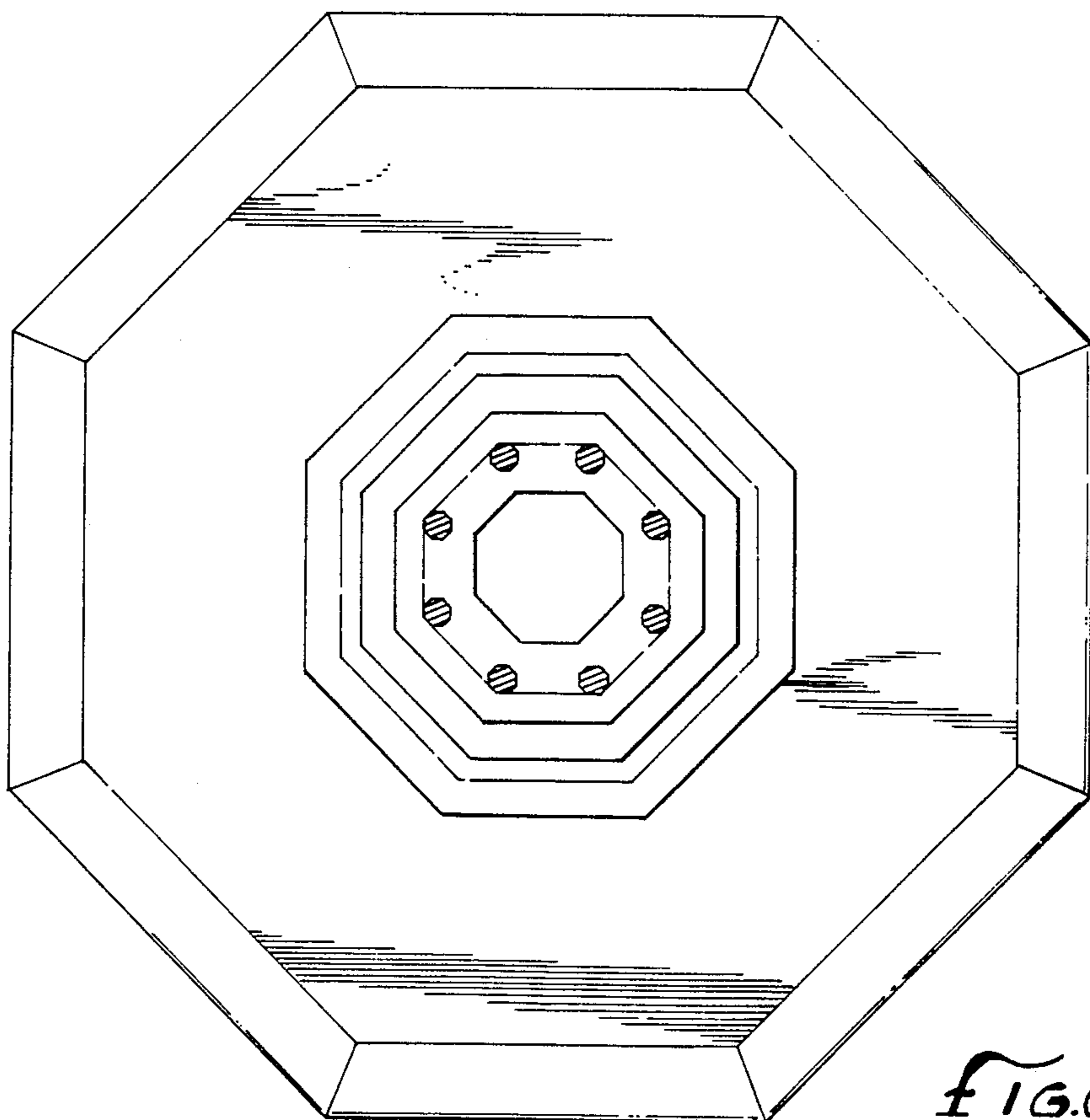


FIG. 6.