

[54] CHAIR

Attorney, Agent, or Firm—Shlesinger, Arkwright, Garvey & Fado

[75] Inventor: James R. Arthur, Jr., Birmingham, Ala.

[57] CLAIM

[73] Assignee: Marathon Corporation, Birmingham, Ala.

The ornamental design for a chair, as shown and described.

[\*\*] Term: 14 Years

DESCRIPTION

[21] Appl. No.: 714,013

FIG. 1 is a front elevational view of a chair embodying my new design;

[22] Filed: Mar. 22, 1985

FIG. 2 is a rear elevational view thereof;

[52] U.S. Cl. .... D6/370; D6/373; D6/379

FIG. 3 is a left side elevational view thereof;

[58] Field of Search ..... D6/334, 370, 372, 373, D6/379, 380

FIG. 4 is a top plan view thereof;

FIG. 5 is a bottom plan view thereof;

[56] References Cited

U.S. PATENT DOCUMENTS

D. 268,721	4/1983	Jernigan	.....	D6/370
D. 271,447	11/1983	Snodgrass	.....	D6/373
D. 277,908	3/1985	Liisberg	.....	D6/373
D. 279,242	6/1985	Jernigan	.....	D6/370
D. 280,474	9/1985	Vanderminden	.....	D6/379 X

FIG. 6 is a front elevational view of a modified form of the present design;

FIG. 7 is a rear elevational view of the form of invention illustrated in FIG. 6;

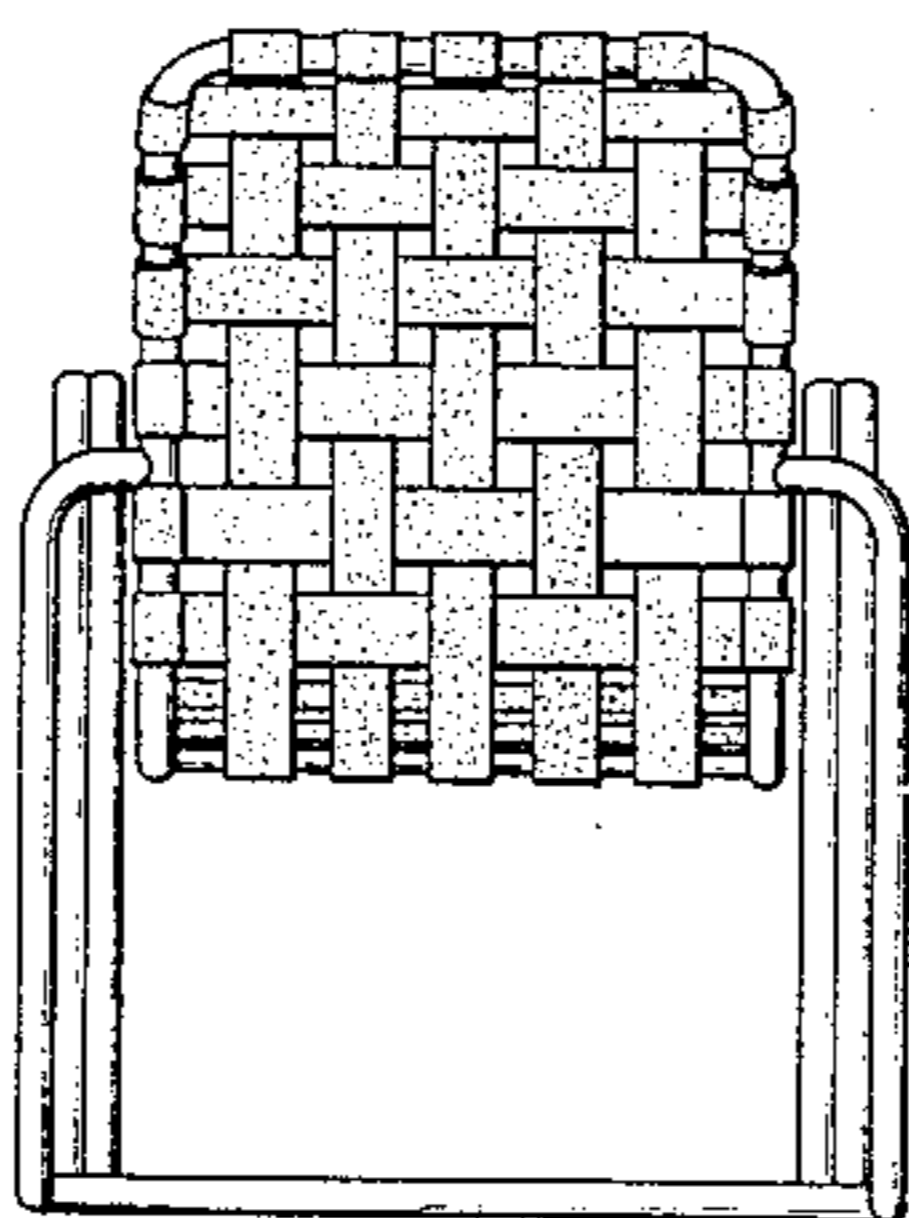
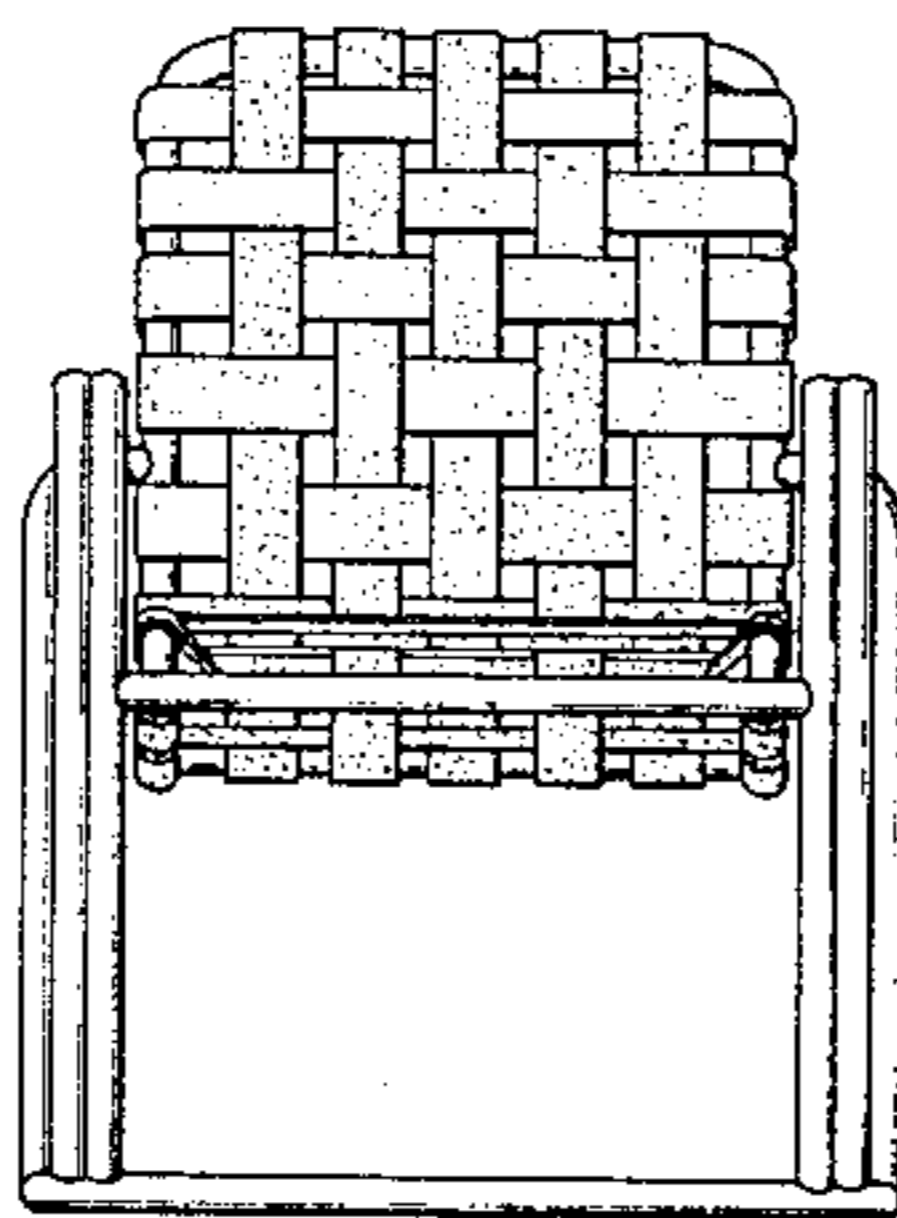
FIG. 8 is a left side elevational view of the form of invention illustrated in FIG. 6;

FIG. 9 is a top plan view of the form of invention illustrated in FIG. 6, and

FIG. 10 is a bottom plan view of the form of invention illustrated in FIG. 6.

Primary Examiner—Bruce W. Dunkins

The sides of the chair forms not shown are like the sides shown in FIGS. 3 and 8 respectively.



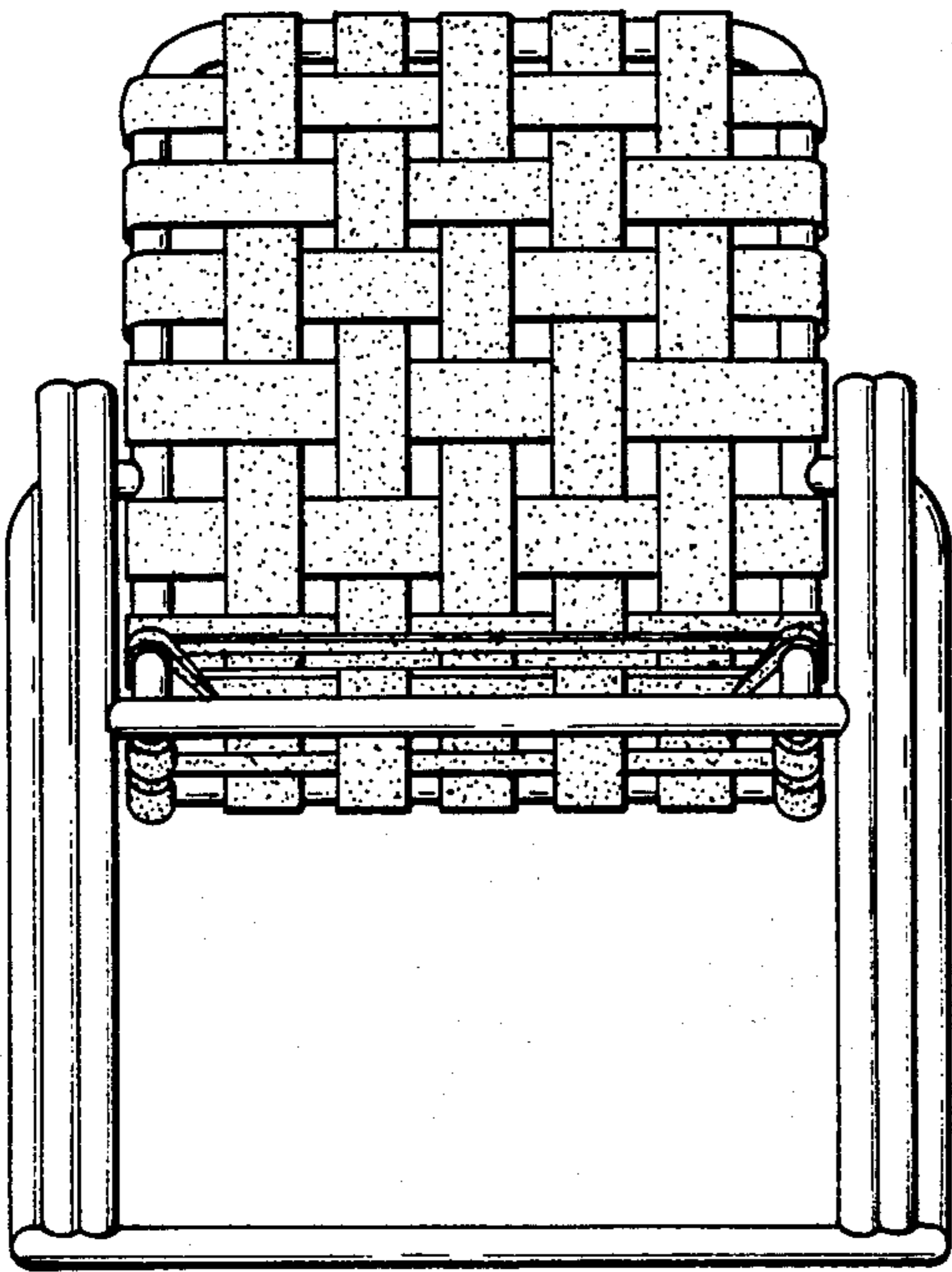


FIG 1

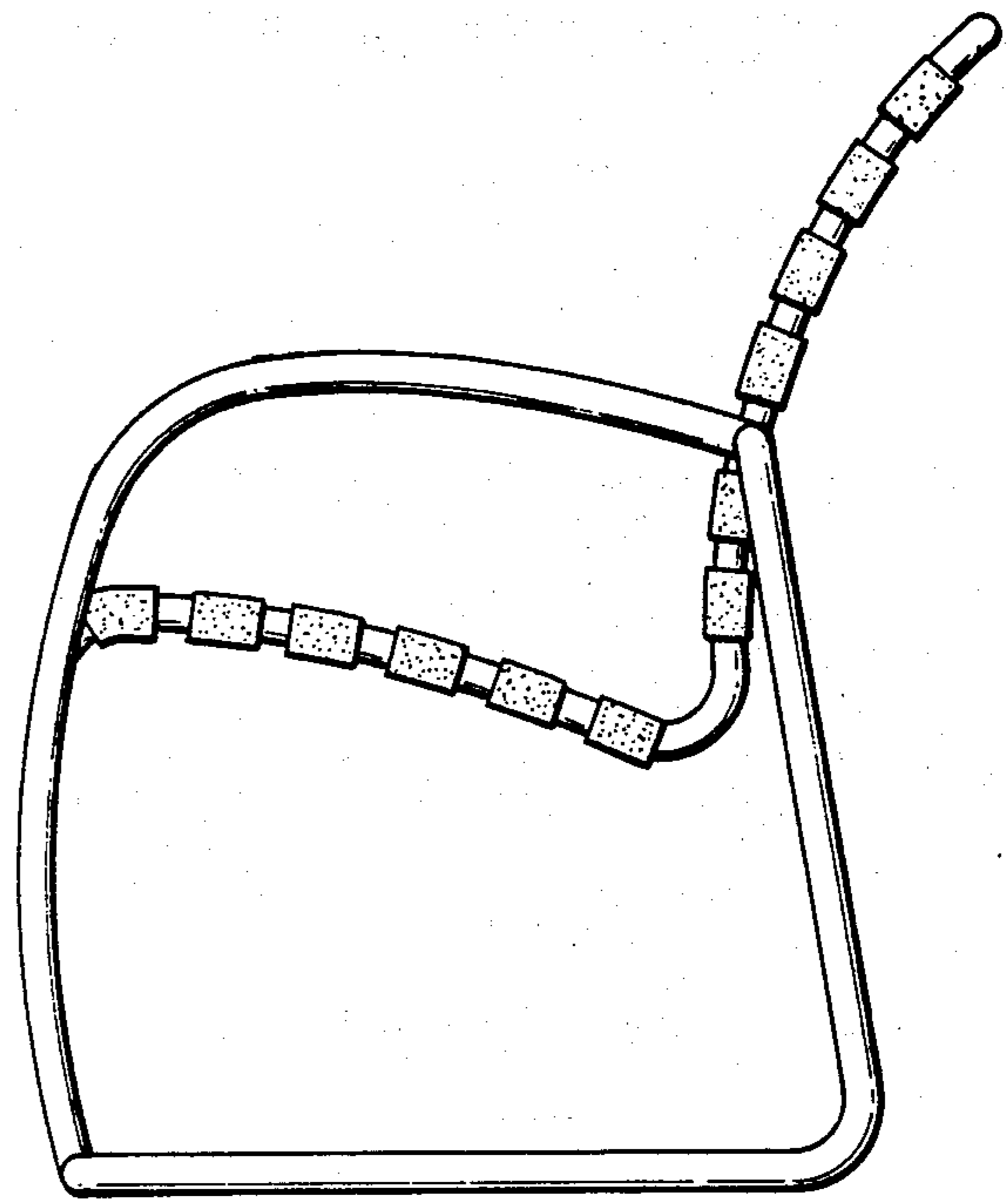


FIG 3

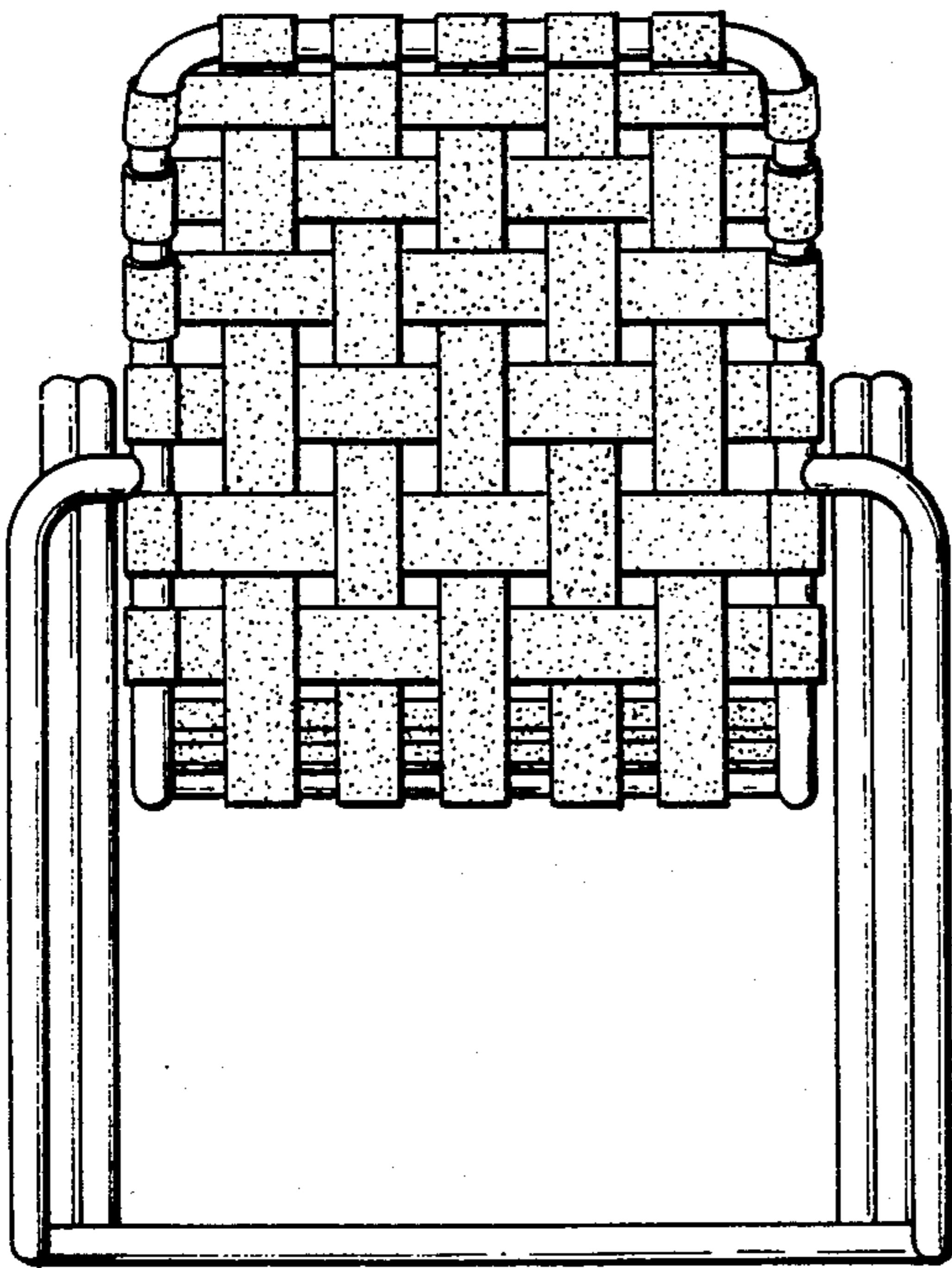


FIG 2

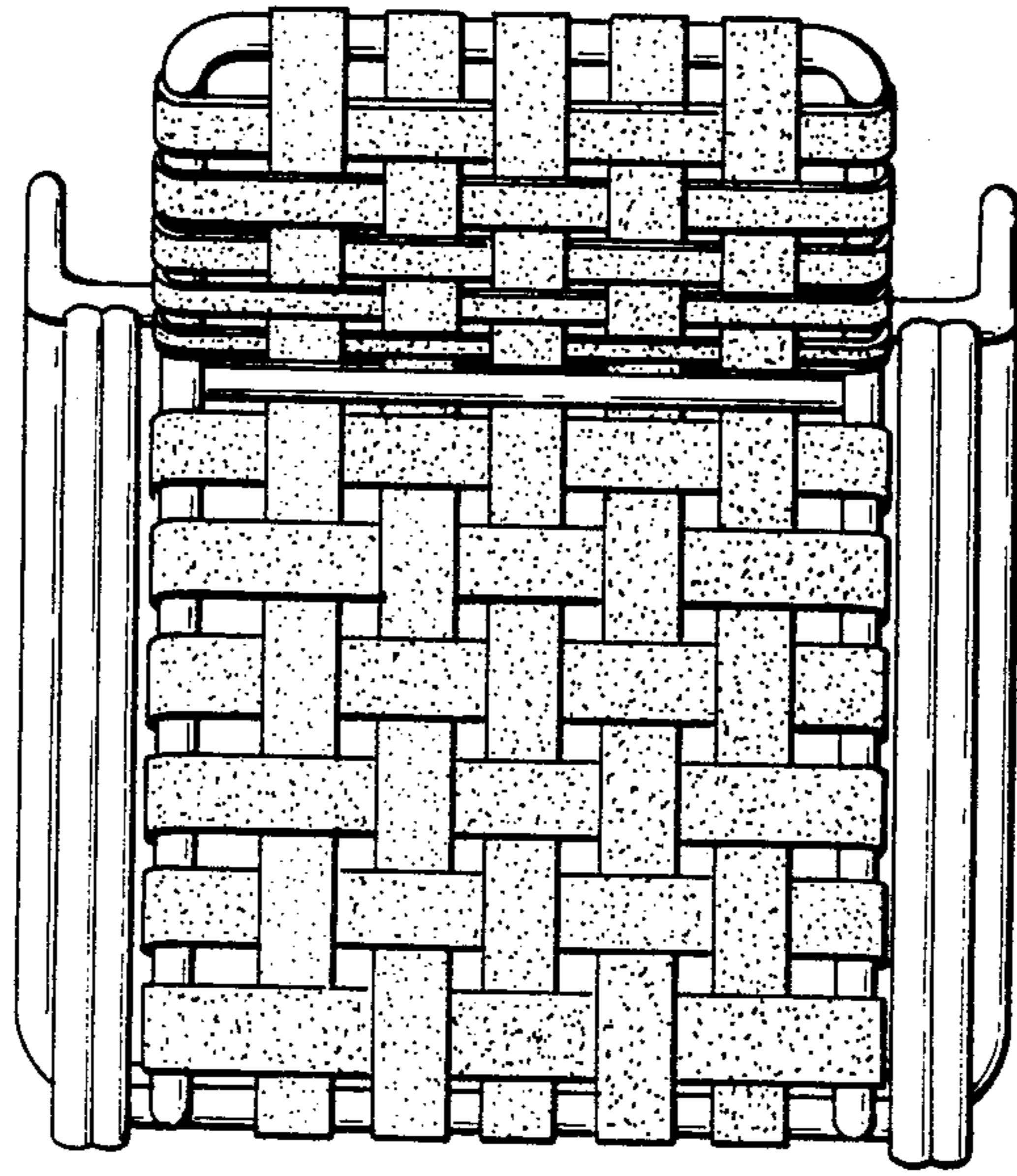


FIG 4

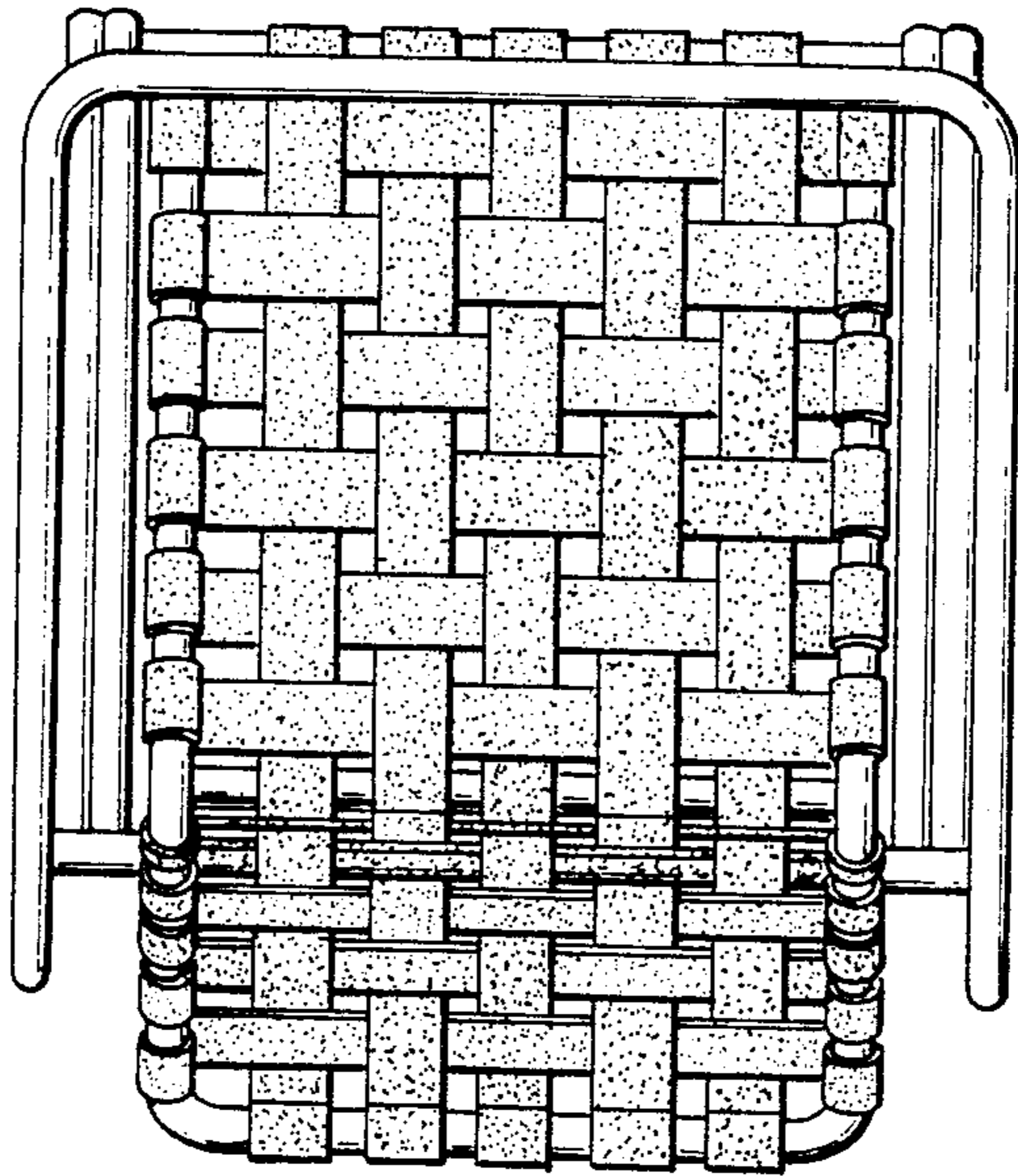


FIG 5

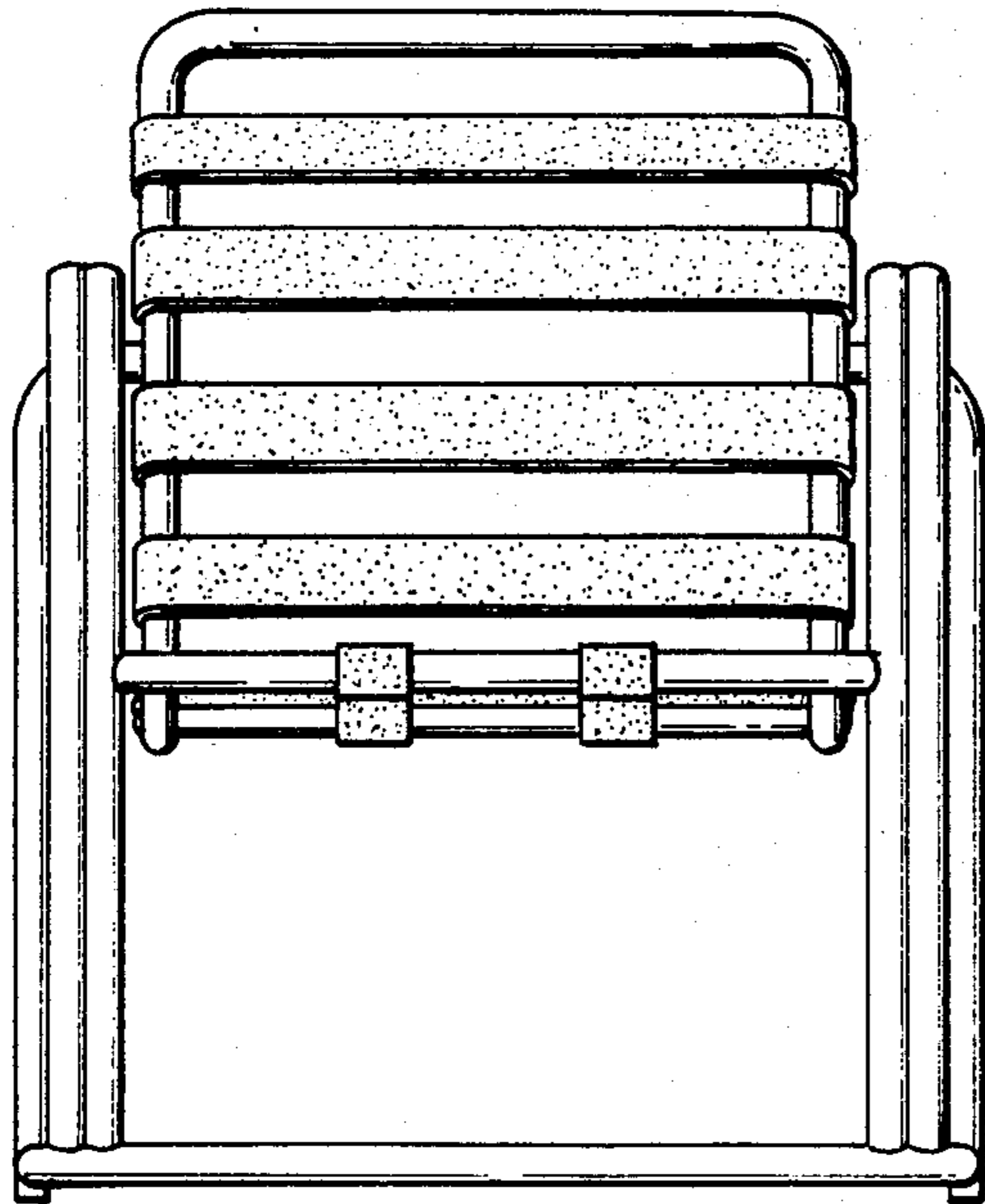


FIG 6

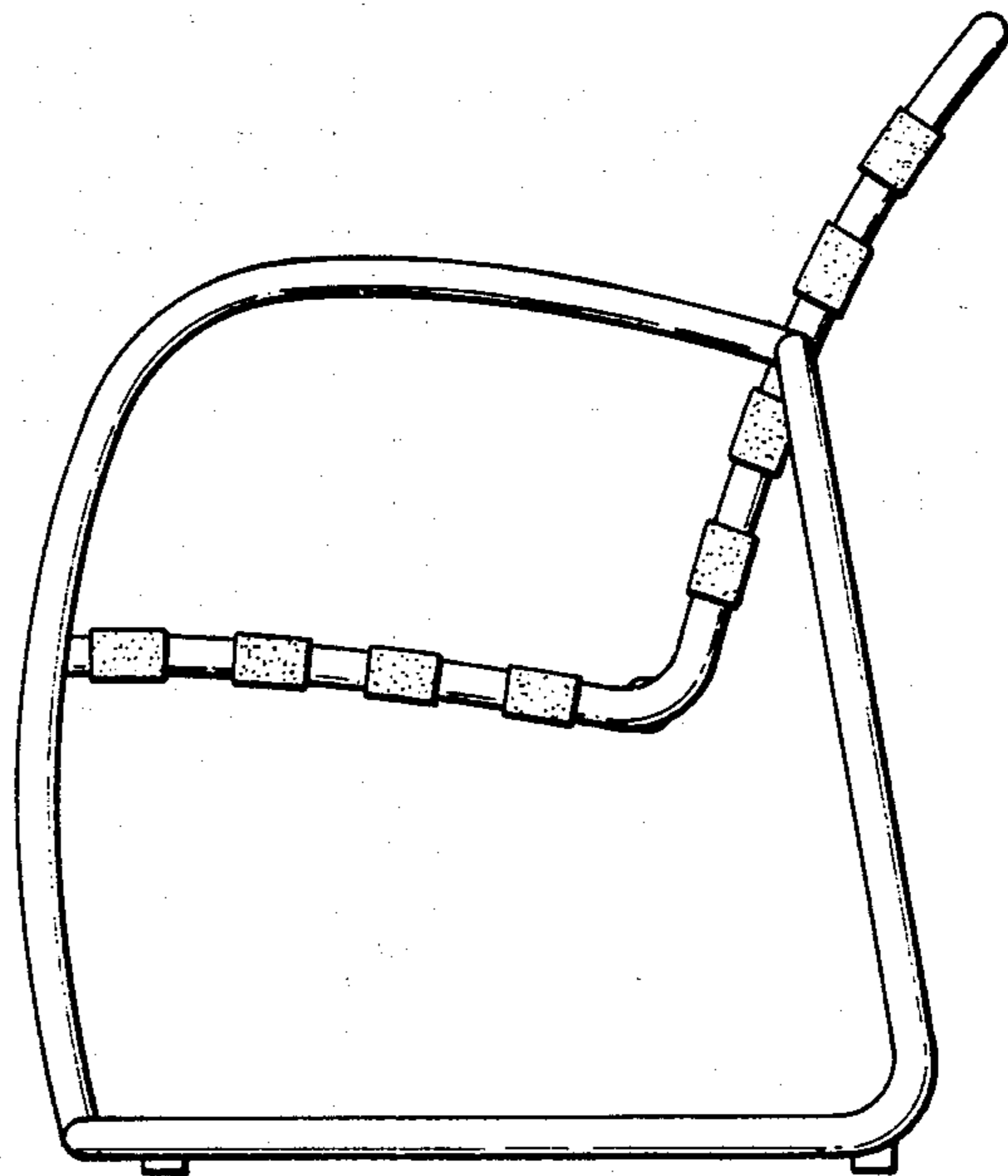


FIG 8

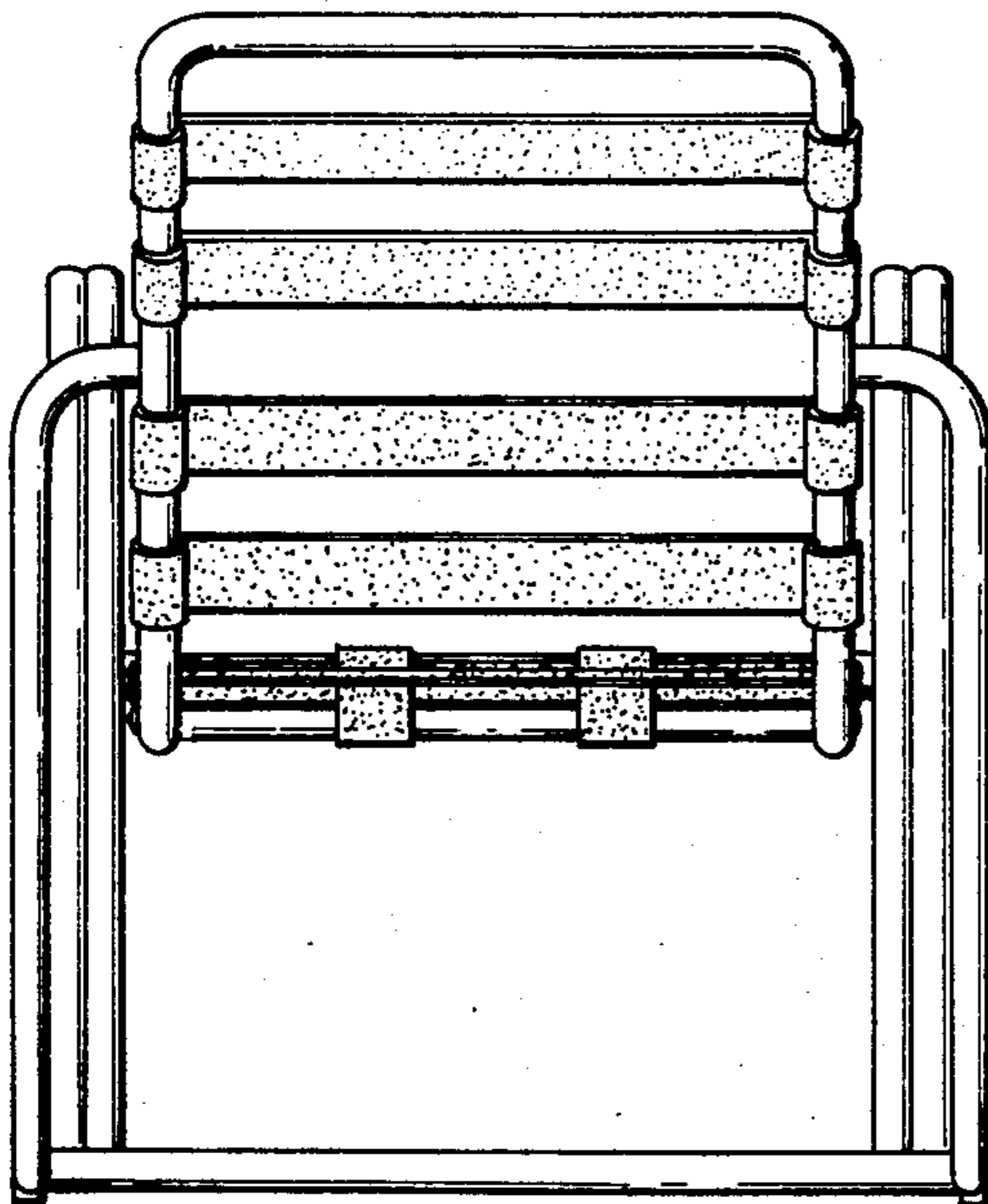


FIG 7

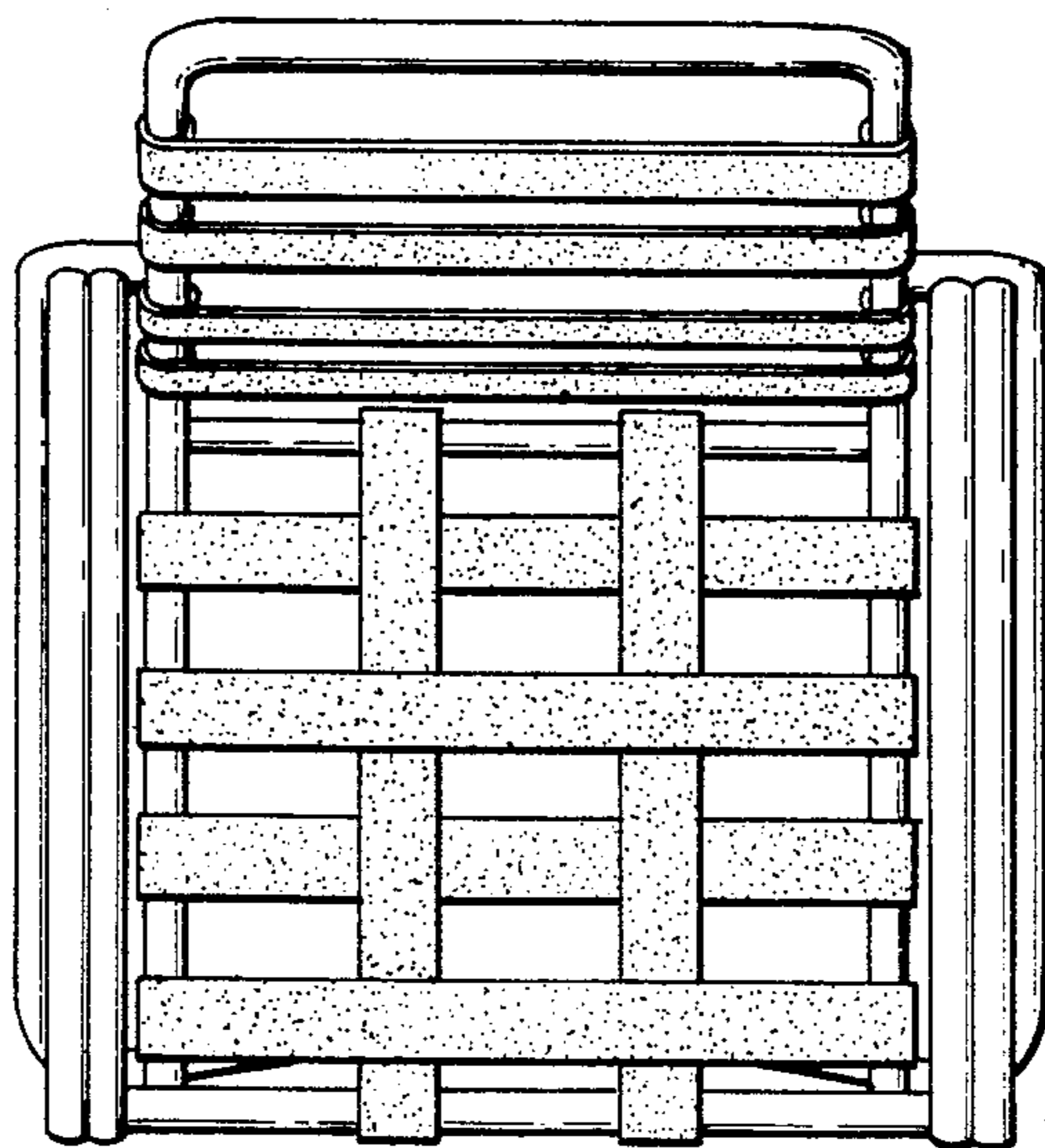


FIG 9

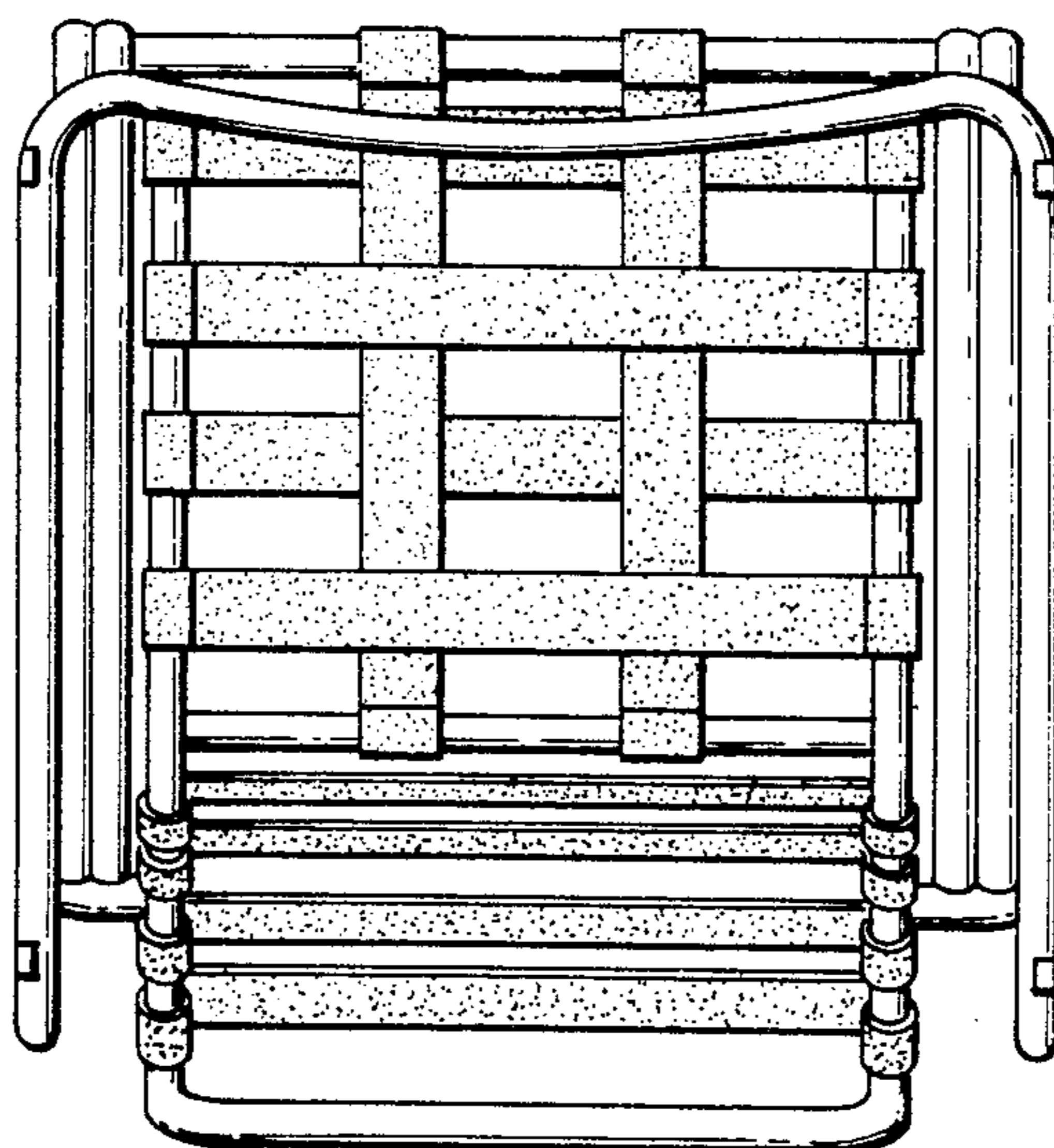


FIG 10