

[54] PORTABLE CASE FOR MODULAR EXHIBIT PANELS OR THE LIKE

[75] Inventor: Pierre Seguin, Montreal, Canada

[73] Assignee: Fedor-Expositions Inc., Montreal, Canada

[*] Notice: The portion of the term of this patent subsequent to Sep. 18, 2000 has been disclaimed.

[**] Term: 14 Years

[21] Appl. No.: 527,561

[22] Filed: Aug. 29, 1983

[52] U.S. Cl. D3/77; D3/30.1; D34/25

[58] Field of Search D3/30.1, 33, 35, 70, D3/73, 74, 76, 77; D34/25; 190/18 A; 280/63, 47.26

[56] References Cited

U.S. PATENT DOCUMENTS

D. 234,273	2/1975	Wilson et al.	D3/30.1
D. 257,080	9/1980	Schmidt	D3/35
D. 270,017	8/1983	DiDonna	D34/25
D. 275,625	9/1984	Petrie	D3/30.1
D. 275,822	9/1984	Gatland et al.	D3/30.1
4,254,850	3/1981	Knowles	D34/25

Primary Examiner—George P. Word

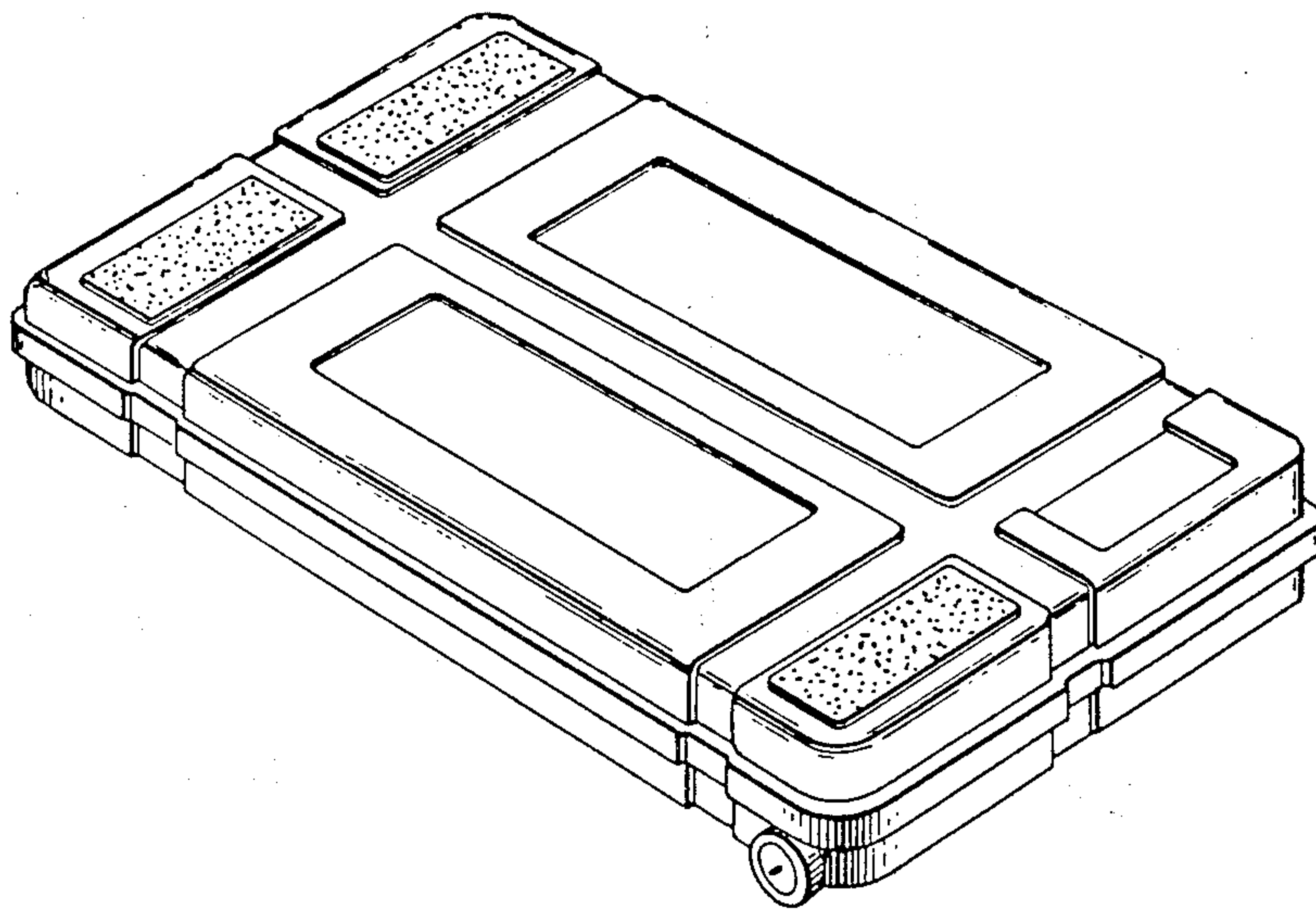
Attorney, Agent, or Firm—Robic, Robic & Associates

[57] CLAIM

The ornamental design for a portable case for modular exhibit panels or the like, substantially as shown and described.

DESCRIPTION

FIG. 1 is a perspective view of a portable case for modular exhibit panels or the like showing my new design; FIG. 2 is a front elevational view thereof; FIG. 3 is a side elevational view thereof, the other side being substantially identical; FIG. 4 is a bottom plan view thereof; and FIG. 5 is a rear elevational view thereof.



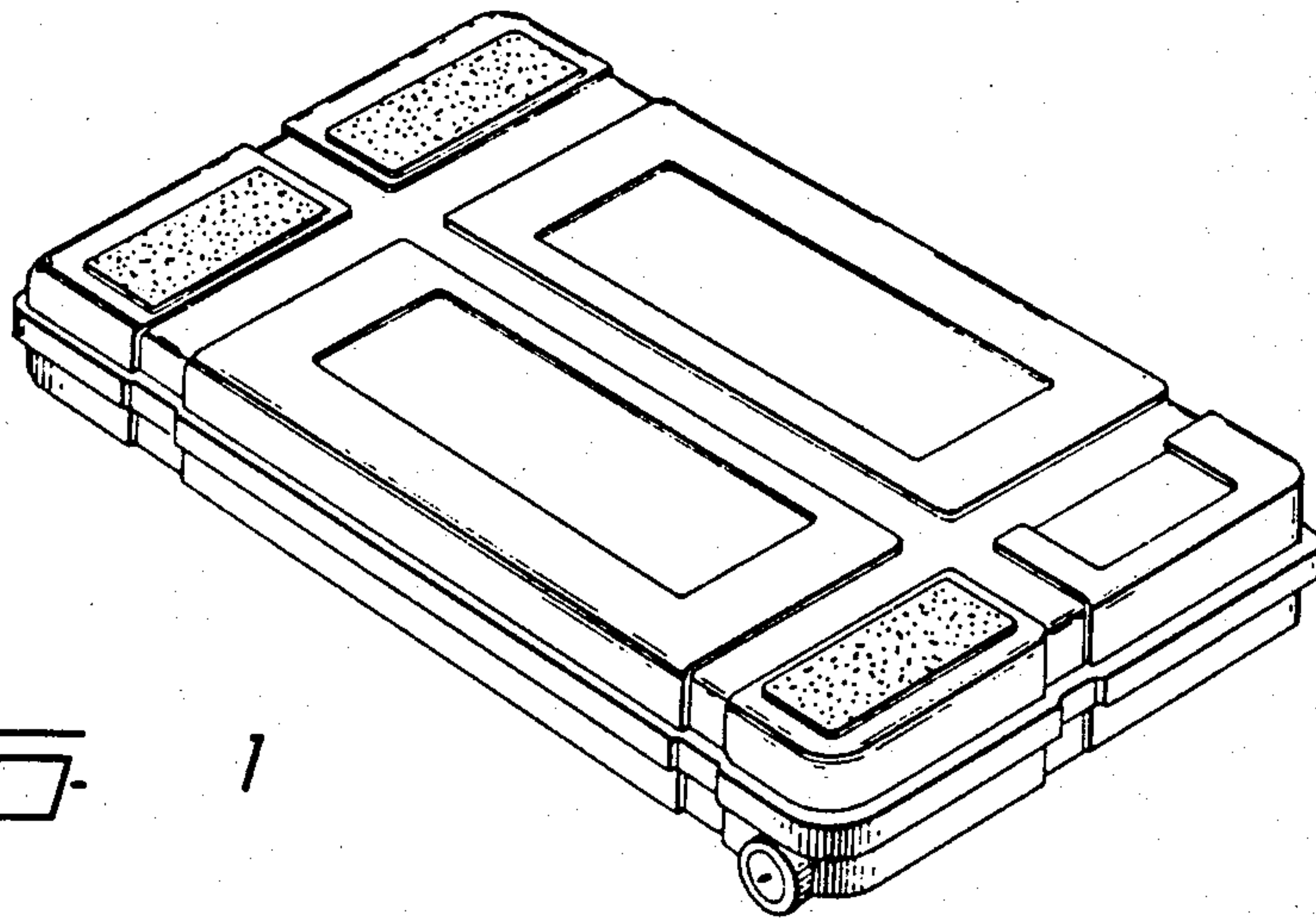


FIG. 1

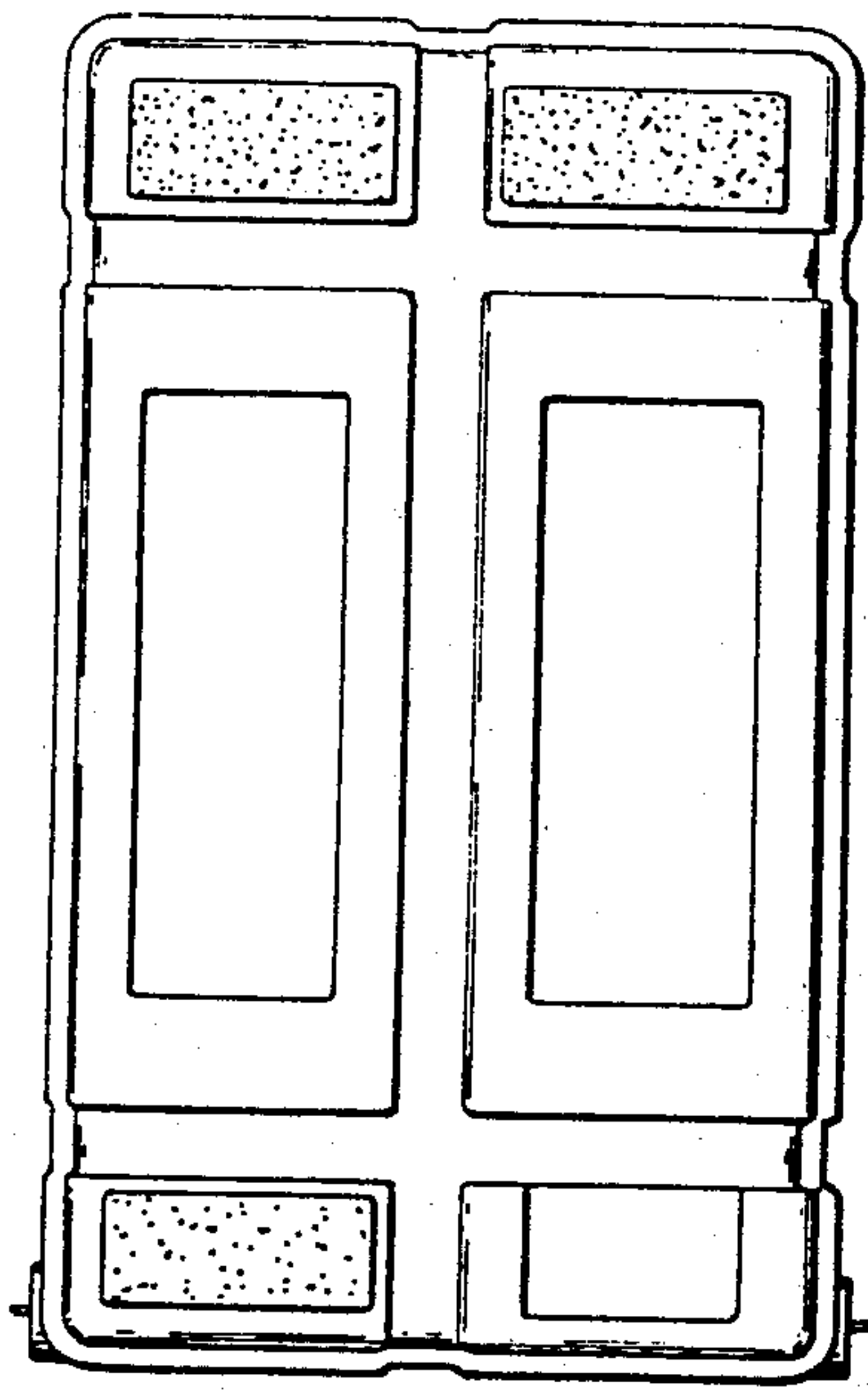


FIG. 2

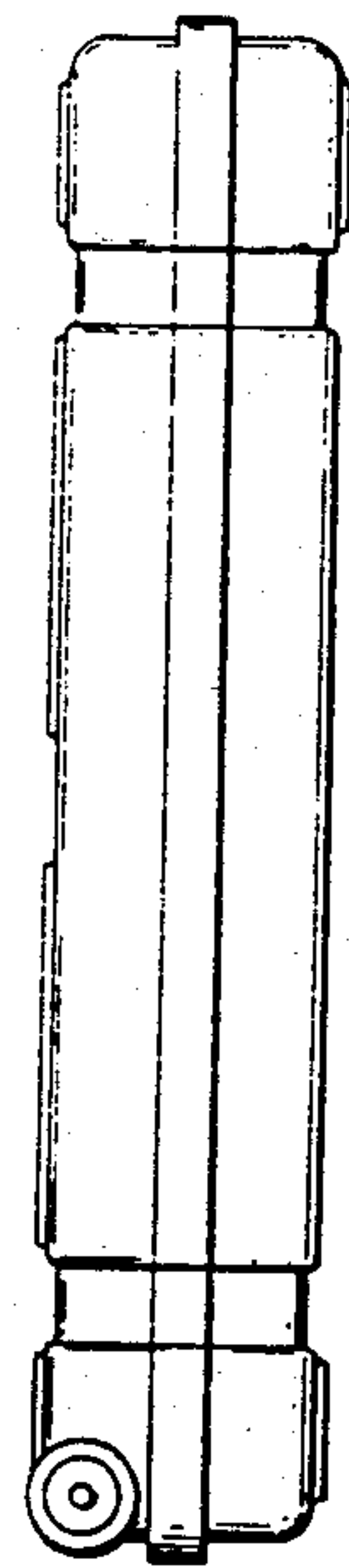


FIG. 3

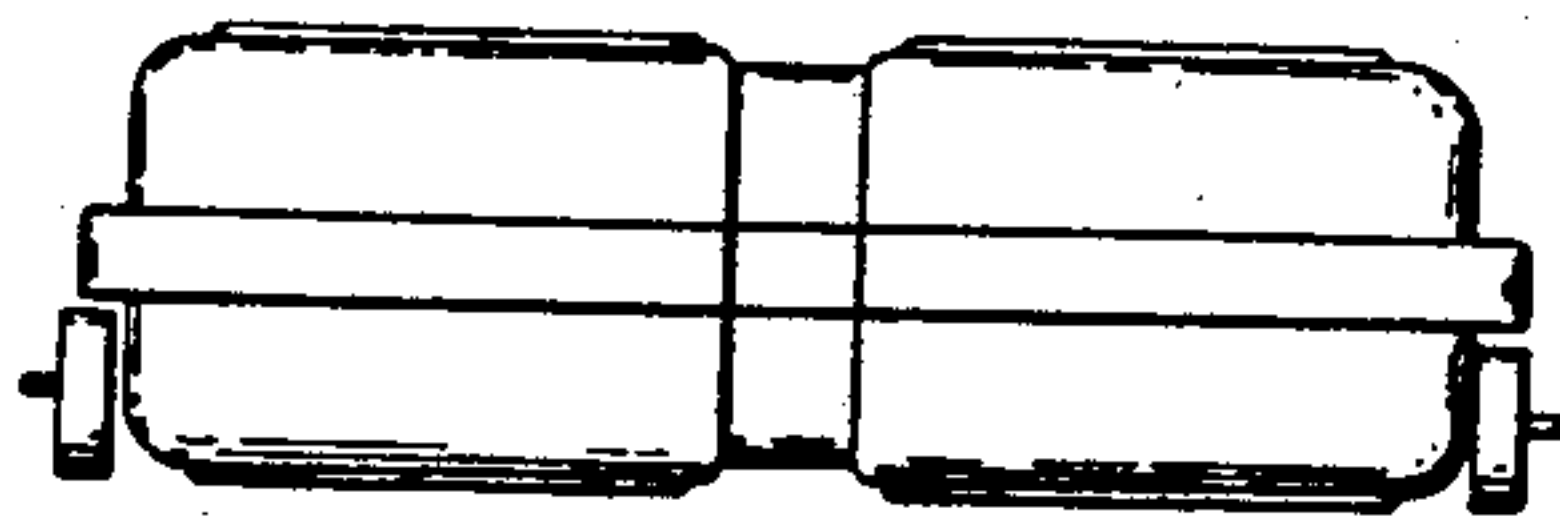


FIG. 4

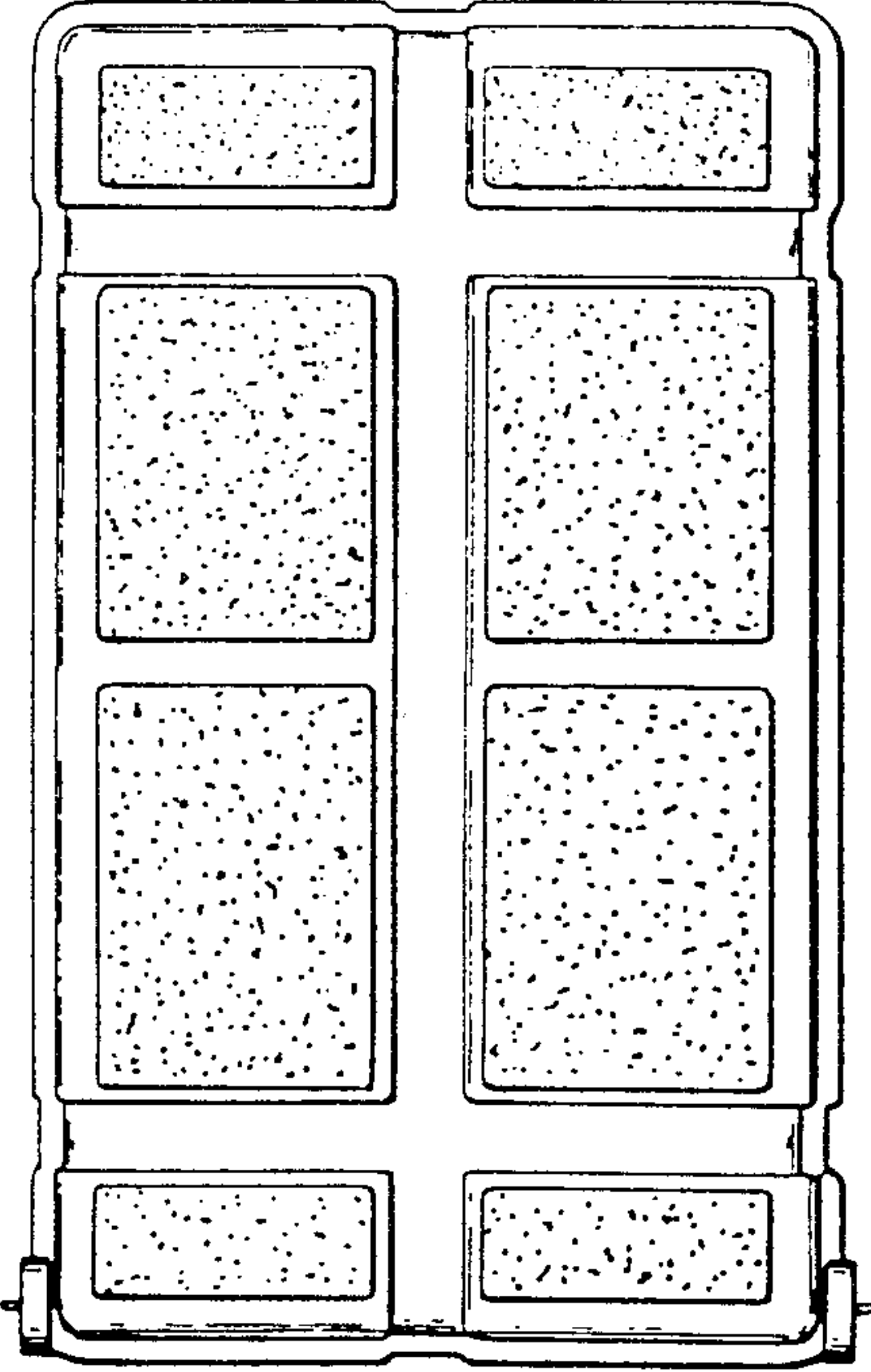


FIG. 5