

# United States Patent [19]

Egly

[11] Patent Number: **Des. 291,387**

[45] Date of Patent: **\*\* Aug. 18, 1987**

[54] **MAGNETIC DISK CASE**

[76] Inventor: **Robert A. Egly**, 31 Belcourt South,  
Newport Beach, Calif. 92660

[\*\*] Term: **14 Years**

[21] Appl. No.: **714,853**

[22] Filed: **Mar. 22, 1985**

[52] U.S. Cl. .... **D3/35; D3/66;**  
**D3/78**

[58] Field of Search ..... **D3/30.1, 33, 35, 44,**  
**D3/66, 78; D9/326; D19/26, 28; 206/387, 472,**  
**444, 425, 45.18**

[56] **References Cited**

### U.S. PATENT DOCUMENTS

D. 251,273 3/1979 Egly ..... D19/28

D. 280,262 8/1985 Egly et al. .... D3/66  
D. 283,949 5/1986 Kitada ..... D3/35  
4,449,628 5/1984 Egly et al. .... 206/425

*Primary Examiner*—George P. Word

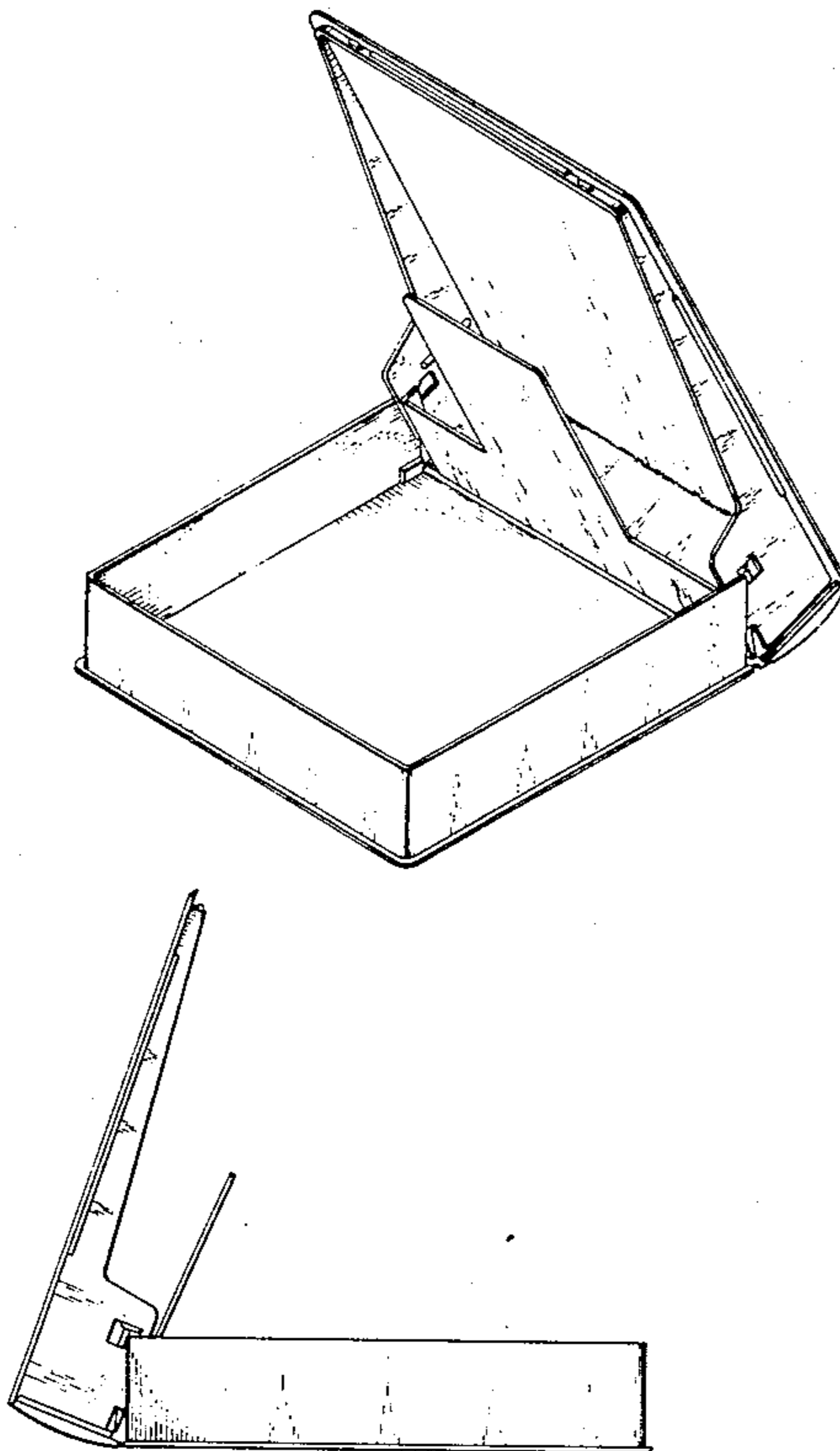
*Attorney, Agent, or Firm*—George F. Bethel; Patience  
K. Bethel

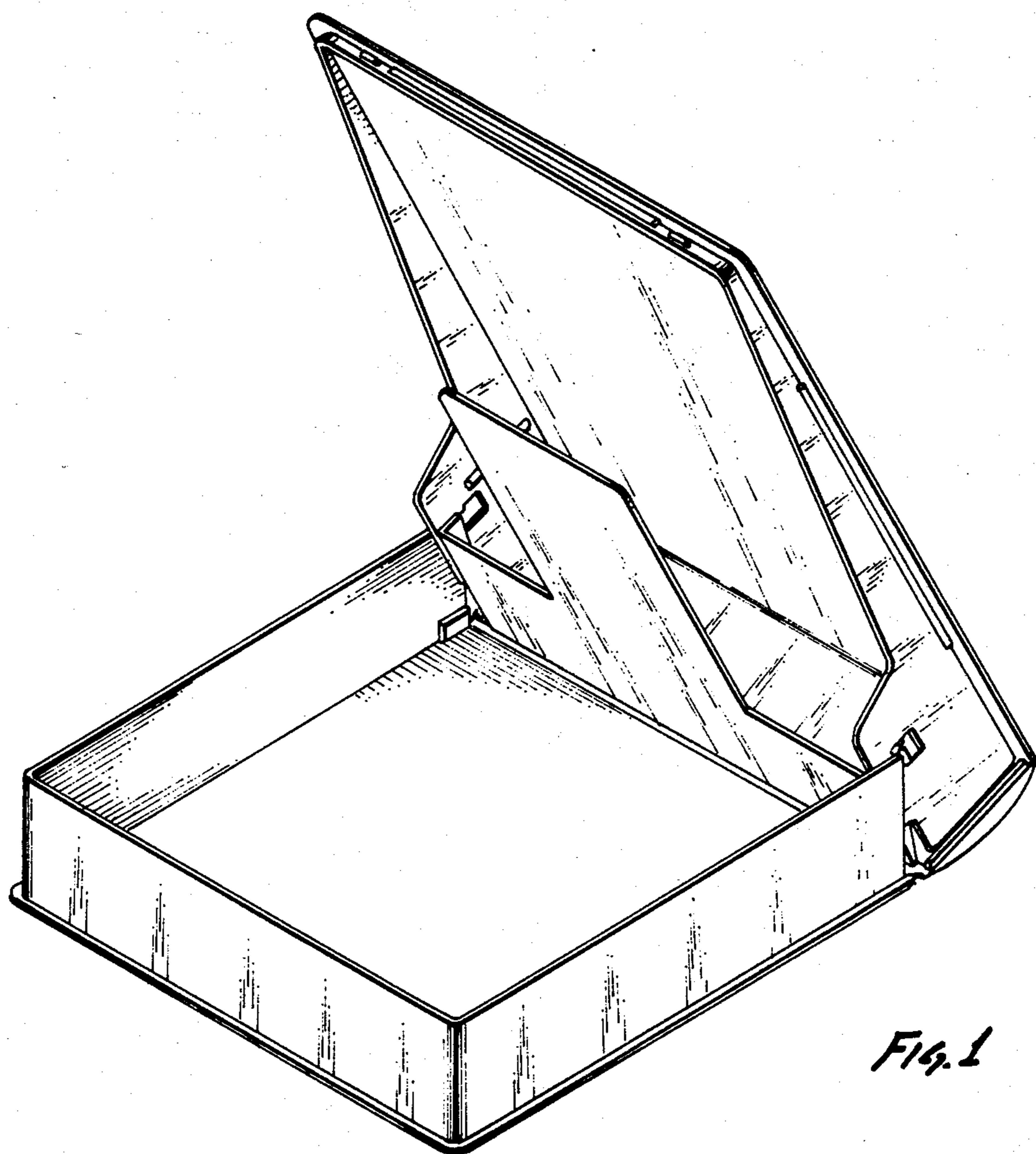
[57] **CLAIM**

The ornamental design for a magnetic disk case, as  
shown and described.

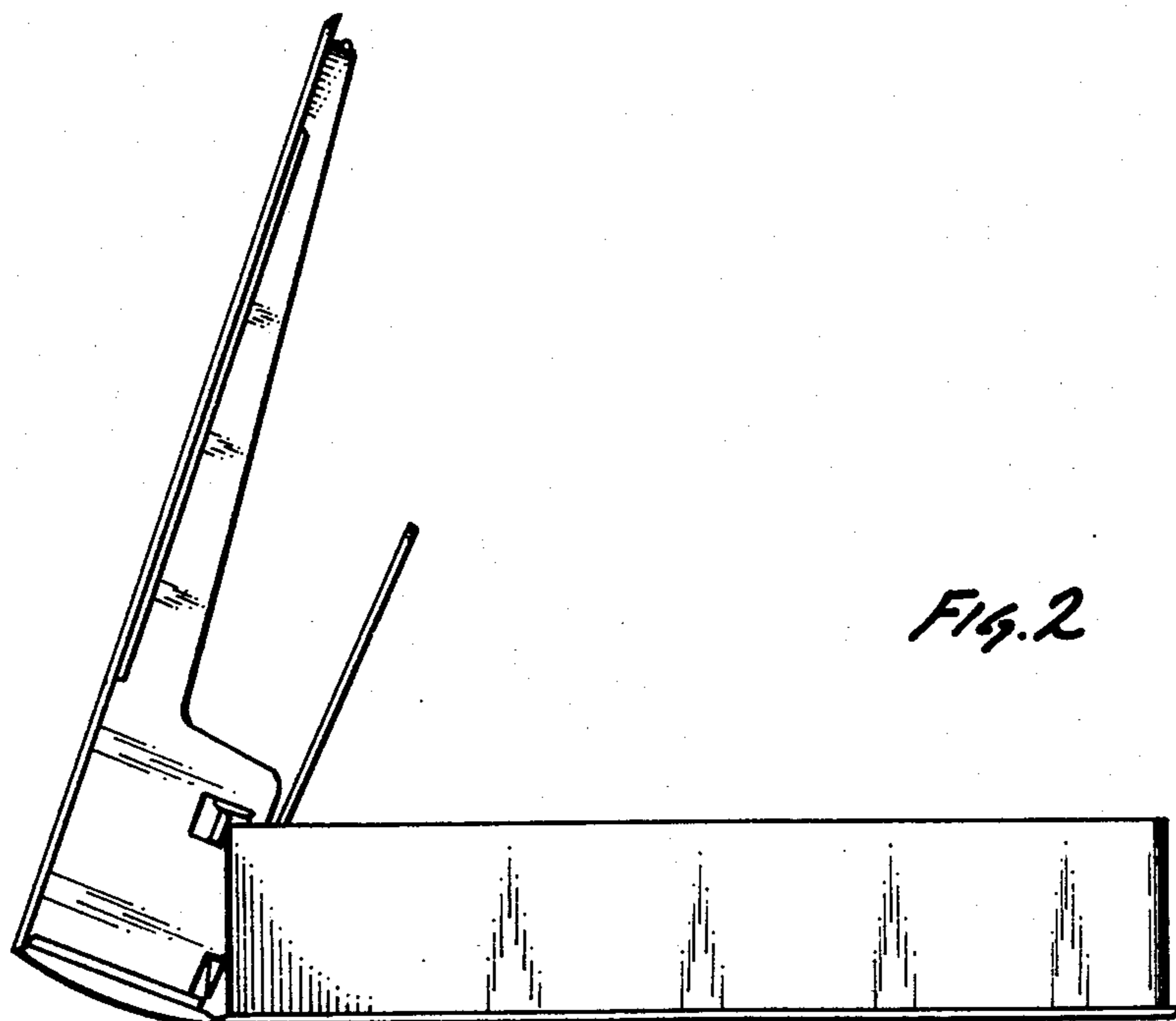
### DESCRIPTION

FIG. 1 is a perspective view of a magnetic disk case  
showing my new design in its opened condition;  
FIG. 2 is a left side elevational view thereof;  
FIG. 3 is a rear elevational view thereof; and  
FIG. 4 is a bottom plan view thereof in the closed posi-  
tion.



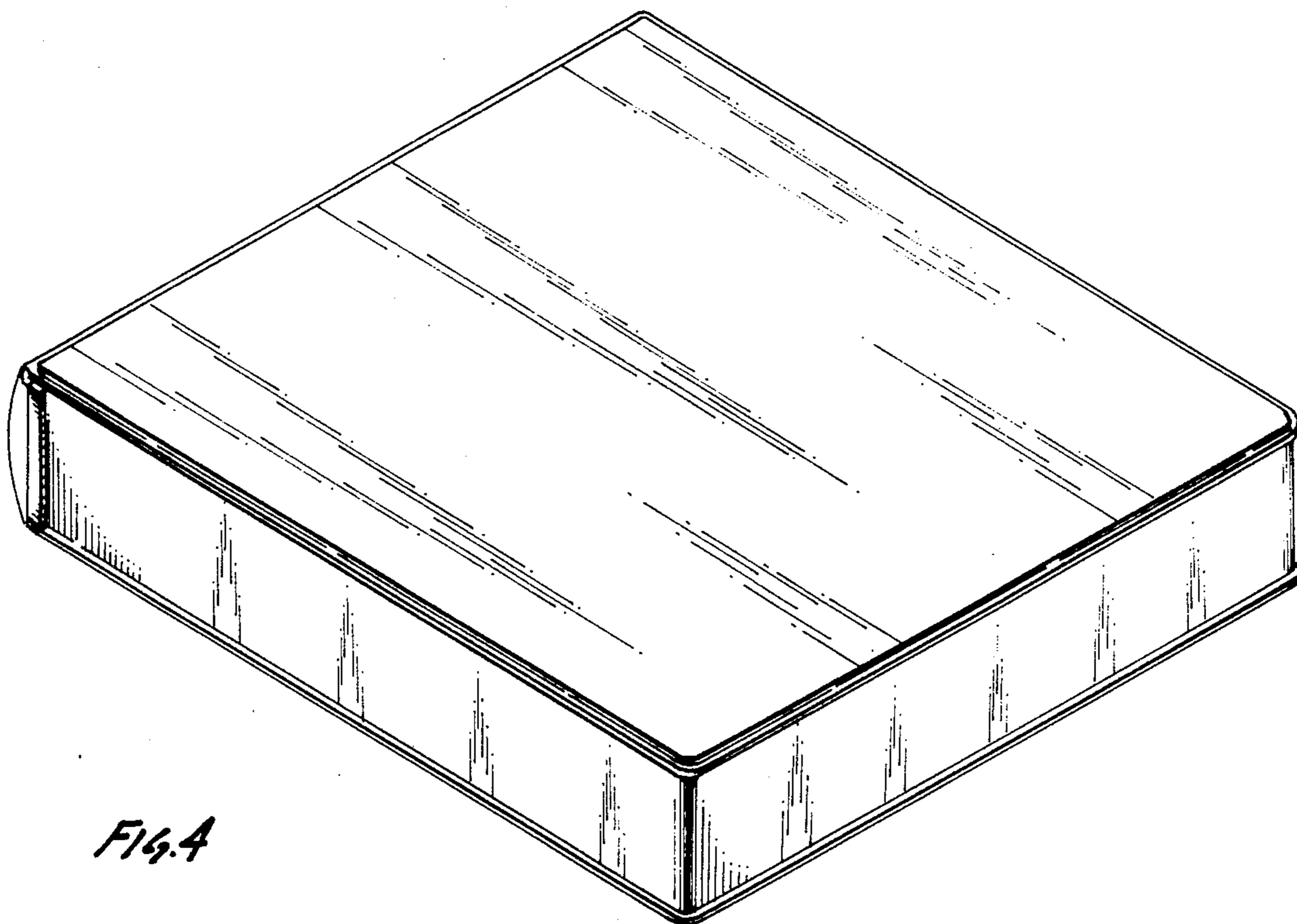
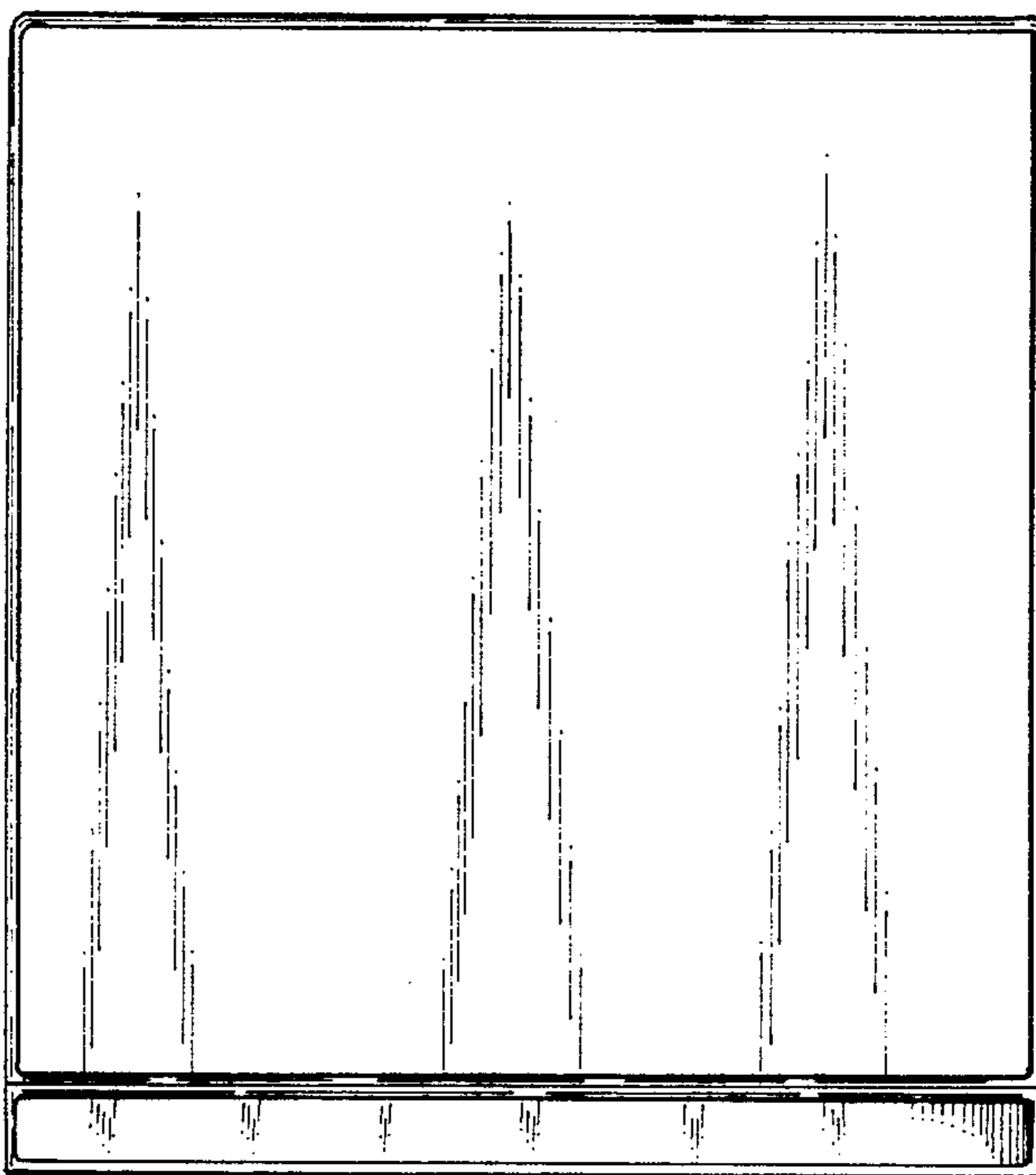


*Fig. 1*



*Fig. 2*

*Fig. 3*



*Fig. 4*